



Chipsmall Limited consists of a professional team with an average of over 10 year of expertise in the distribution of electronic components. Based in Hongkong, we have already established firm and mutual-benefit business relationships with customers from,Europe,America and south Asia,supplying obsolete and hard-to-find components to meet their specific needs.

With the principle of “Quality Parts,Customers Priority,Honest Operation,and Considerate Service”,our business mainly focus on the distribution of electronic components. Line cards we deal with include Microchip,ALPS,ROHM,Xilinx,Pulse,ON,Everlight and Freescale. Main products comprise IC,Modules,Potentiometer,IC Socket,Relay,Connector.Our parts cover such applications as commercial,industrial, and automotives areas.

We are looking forward to setting up business relationship with you and hope to provide you with the best service and solution. Let us make a better world for our industry!



Contact us

Tel: +86-755-8981 8866 Fax: +86-755-8427 6832

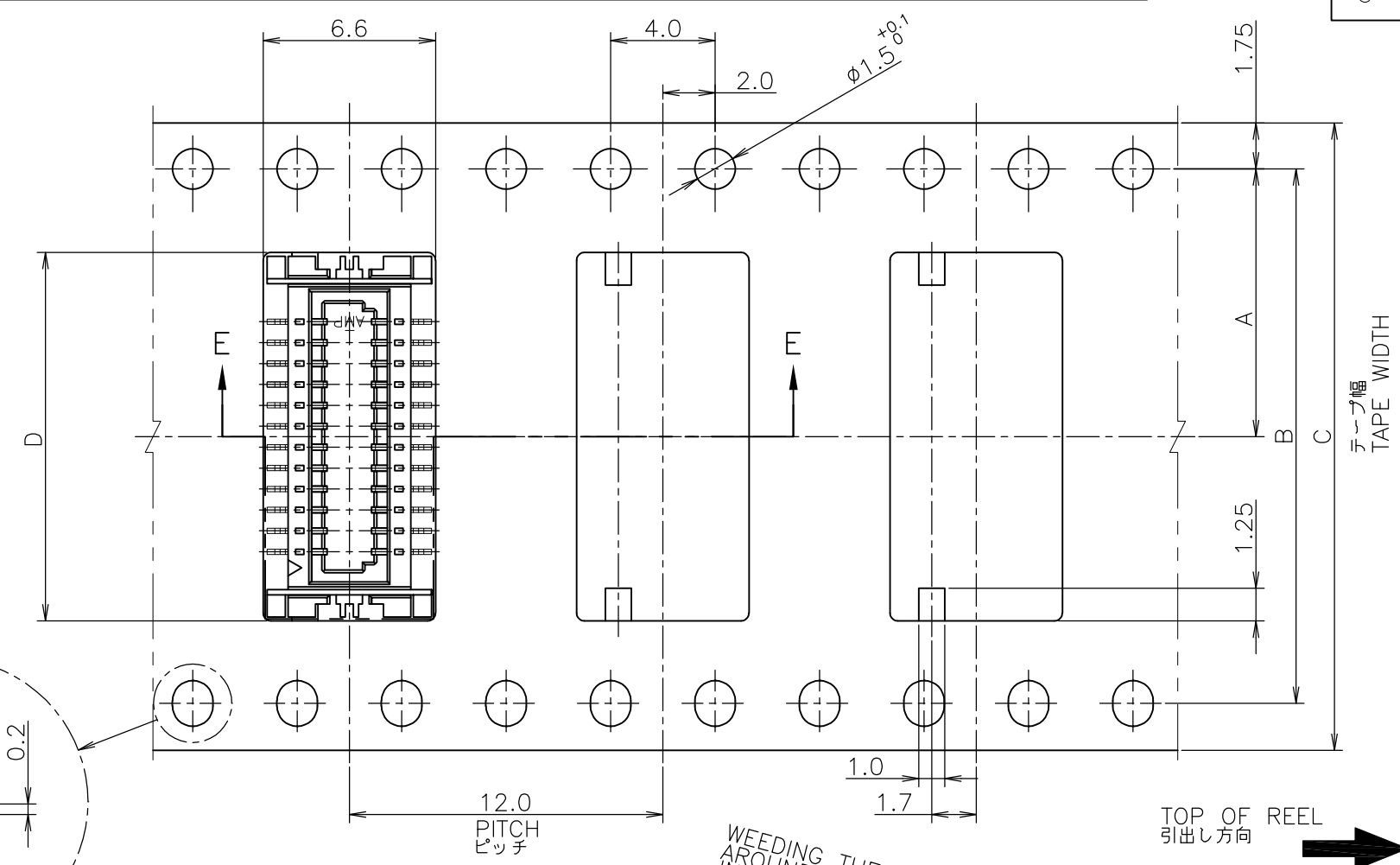
Email & Skype: info@chipsmall.com Web: www.chipsmall.com

Address: A1208, Overseas Decoration Building, #122 Zhenhua RD., Futian, Shenzhen, China

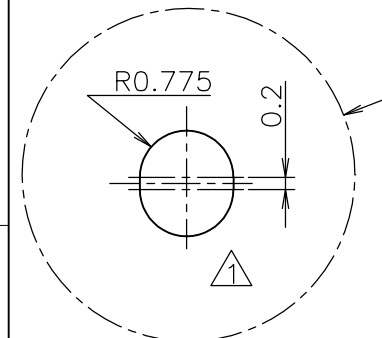
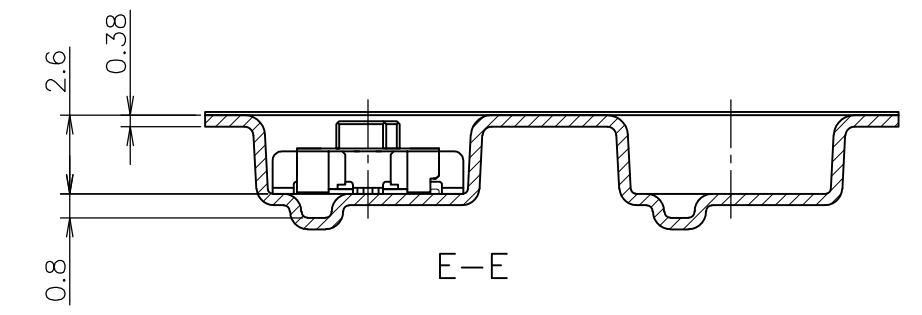


THIS DRAWING IS UNPUBLISHED. RELEASED FOR PUBLICATION FEB, 1995.
 © COPYRIGHT 1995 BY TYCO ELECTRONICS CORPORATION. ALL RIGHTS RESERVED.

LOC	DIST	REVISIONS					
J		P	LTR	DESCRIPTION	DATE	DWN	APVD
		A	REVISED	FJB0-0328-03	30MAY03	H.H	T.K
		A1	REVISED PER ECO-09-024717		04NOV09	KK	AEG

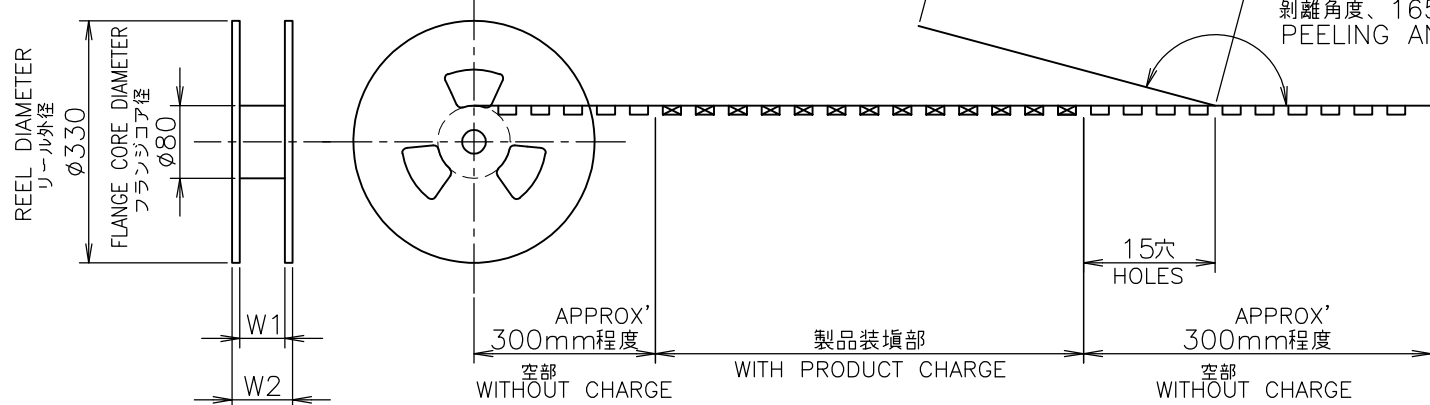


- ⚠ 指示穴は40極品のみ適用。
- ⚠ THESE HOLES ARE APPLIED TO 40 Pos. ONLY.
- ⚠ OBSOLETE PARTS: OBSOLETE CIS STREAMLINING PER D.RENAUD/D.SINISI



WEEDING THE COVER TAPE AROUND THE OUTER PERIPHERY IN A TURN.
 カバーテープ リーダー部 外周一巻
 剝離角度、165°~180° PEELING ANGLE.

鉛フリー LEAD FREE



OBSELETE	37.5	33.5	20.5	32	28.4	14.2	↑	40	4-	↑	-0	-4	↑	0
	↑	↑	16.5	↑	---	↑		30	3-		-0	3-		-0
	↑	↑	14.1	24	---	11.5		24	2-		-4	2-		-4
	↑	↑	10.9	↑	---	↑		16	1-		-6	1-		-6
	W2	W1	D	C	B	A	数量 (ヶ) QTY/REEL	極数 POS	コネクタ型番 (バラ状) CONNECTOR P/N (L/P)		リール巻 コネクタ型番 TAPING P/N			

INSTRUCTION SHEET 取扱説明書 411-5654

THIS DRAWING IS A CONTROLLED DOCUMENT.

DWN Y.NAKAZAWA 15FEB95	Tyco Electronics AMP K.K. Kawasaki, Japan
CHK K.ASAKAWA 20FEB95	
APVD S.KUBOUCHI 21FEB95	NAME 名称 エンボス詰 プラグ・アッセンブリ ON TAPING (EMBOSS) PLUG ASSEMBLY WITHOUT BOSS 0.8mm PITCH BOARD TO BOARD CONNECTOR (MATING HEIGHT 3.0mm, Au PLATED)
PRODUCT SPEC 製品規格 108-5424	SIZE A3
APPLICATION SPEC 取付適用規格	CAGE CODE 00779
WEIGHT	DRAWING NO 番号 C-179702
MATERIAL 材料	RESTRICTED TO
FINISH 仕上	SCALE 尺度 4:1
	SHEET 1 OF 1
	REV A1

CUSTOMER DRAWING