



Chipsmall Limited consists of a professional team with an average of over 10 year of expertise in the distribution of electronic components. Based in Hongkong, we have already established firm and mutual-benefit business relationships with customers from,Europe,America and south Asia,supplying obsolete and hard-to-find components to meet their specific needs.

With the principle of "Quality Parts,Customers Priority,Honest Operation,and Considerate Service",our business mainly focus on the distribution of electronic components. Line cards we deal with include Microchip,ALPS,ROHM,Xilinx,Pulse,ON,Everlight and Freescale. Main products comprise IC,Modules,Potentiometer,IC Socket,Relay,Connector.Our parts cover such applications as commercial,industrial, and automotives areas.

We are looking forward to setting up business relationship with you and hope to provide you with the best service and solution. Let us make a better world for our industry!



## Contact us

Tel: +86-755-8981 8866 Fax: +86-755-8427 6832

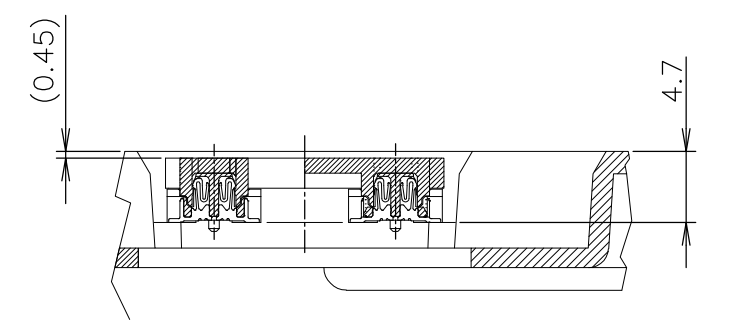
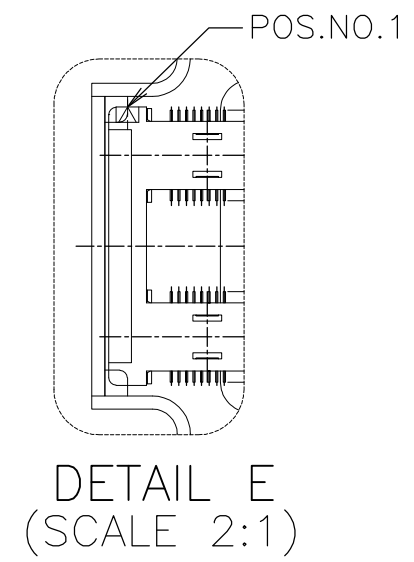
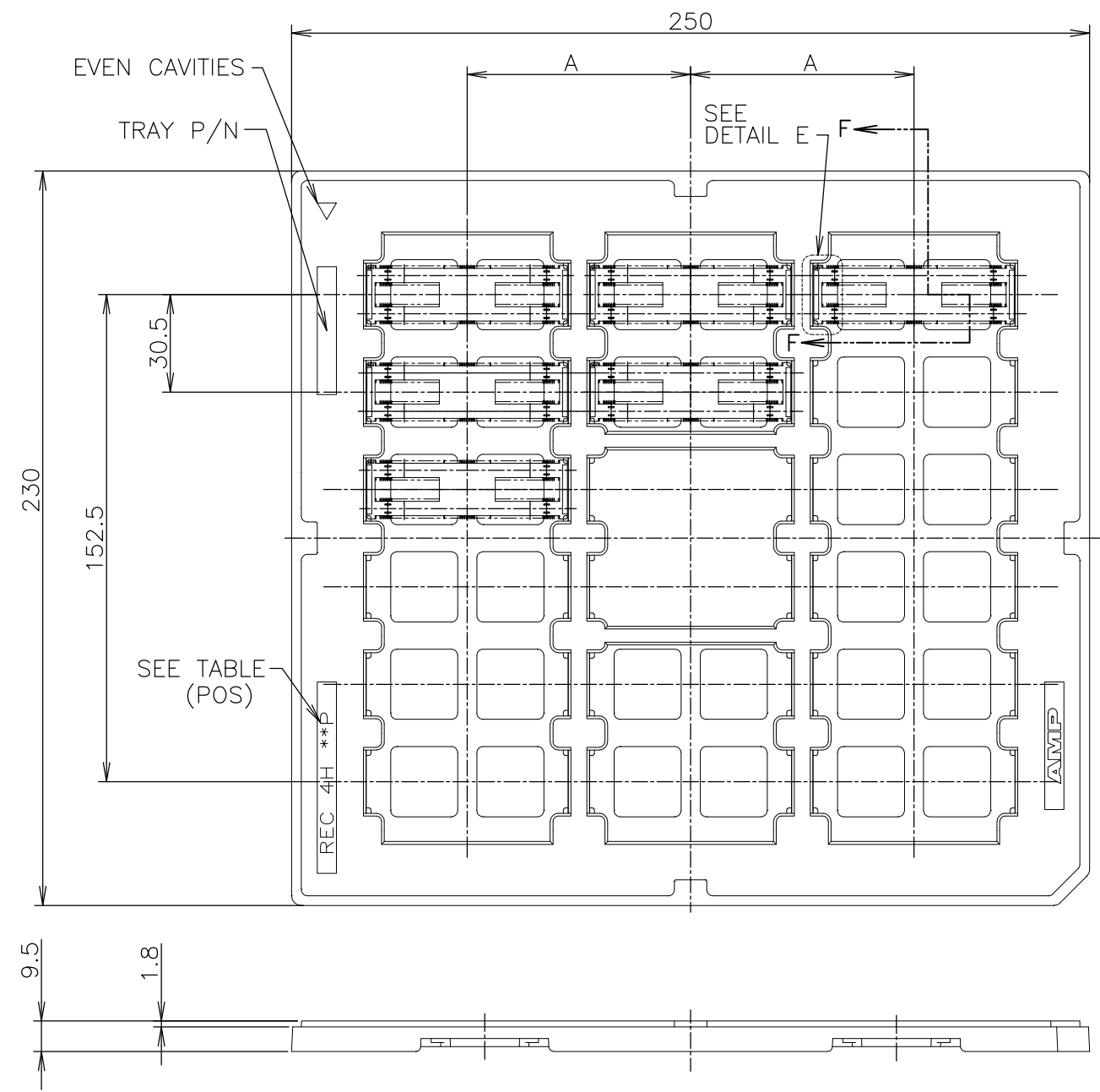
Email & Skype: info@chipsmall.com Web: www.chipsmall.com

Address: A1208, Overseas Decoration Building, #122 Zhenhua RD., Futian, Shenzhen, China



THIS DRAWING IS UNPUBLISHED. RELEASED FOR PUBLICATION .2005.  
 © COPYRIGHT 2005 By - ALL RIGHTS RESERVED.

LOC	DIST	REVISIONS			
P	LTR	DESCRIPTION	DATE	DWN	APVD
J					
	C	REVISED PER ECR-13-003575	26FEB13	IT	SY



FINISH	SEALANT	ROW	QTY	A	POS.	PART NO.
△	NO	3	18	75	440	9-1827231-6
△	NO	3	18	75	440	3-1827231-6

THIS DRAWING IS A CONTROLLED DOCUMENT.		DWN S.CH IEN 18MAY05	<b>TE Connectivity</b> NAME <b>HARD TRAY ASSY</b> FH 0.5BTB CONNECTOR 440POS REC 4H W/G-PLATE ON 2 ROW CAP			
DIMENSIONS: MM		CHK T.FUTATSUGI 18MAY05				
TOLERANCES UNLESS OTHERWISE SPECIFIED:		APVD W.KODAMA 18MAY05				
0 PLC ± 0.3 1 PLC ± 0.3 2 PLC ± 0.3 3 PLC ± 0.3 4 PLC ± 0.3 ANGLES ± 3°		PRODUCT SPEC 108-5560				
MATERIAL		APPLICATION SPEC	SIZE A3	CAGE CODE 00779	DRAWING NO C-1827231	RESTRICTED TO
		WEIGHT	CUSTOMER DRAWING		SCALE 1:2	SHEET 1 OF 4
					REV C	

4

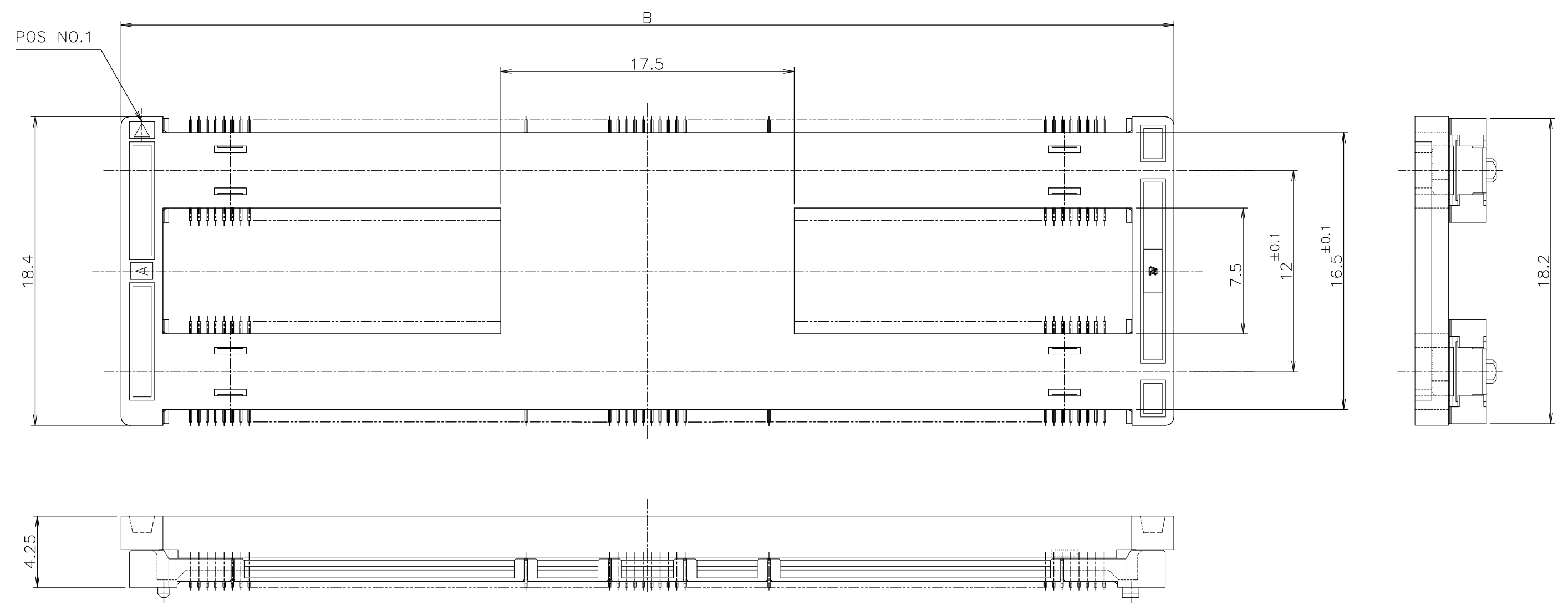
3

2

1

THIS DRAWING IS UNPUBLISHED. RELEASED FOR PUBLICATION .2002.  
 © COPYRIGHT 2002 By - ALL RIGHTS RESERVED.

LOC	DIST	REVISIONS					
J		P	LTR	DESCRIPTION	DATE	DWN	APVD
		-		SEE SHEET 1	-	-	-



NOTES

- ⚠ MATERIAL ; HOUSING : HIGH TEMP THERMO PLASTIC UL94V-0  
CONTACT : COPPER ALLOY; SOLDER PEG : COPPER ALLOY
- ⚠ FINISH ; SIGNAL CONTACT : UNDER PL Ni 0.0013mm MIN ALL OVER.  
CONTACT AREA 0.0002mm MIN Au PL; SOLDERING AREA 0.00005mm MIN Au PL.  
GROUND CONTACT : UNDER PL Ni 0.0013mm MIN ALL OVER;  
CONTACT AREA 0.0002mm MIN Au PL; SOLDERING AREA 0.001mm MIN Sn PL.  
SOLDER PEG : 0.001mm MIN Sn PL. OVER 0.0013mm MIN Ni PL ALL OVER.
- ⚠ THIS POSITION IS GROUND CIRCUIT.
- ⚠ FINISH ; SIGNAL CONTACT : UNDER PL Ni 0.0013mm MIN ALL OVER.  
CONTACT AREA 0.00076mm MIN Au PL.  
SOLDERING AREA 0.00005mm MIN Au PL.  
GROUND CONTACT : UNDER PL Ni 0.0013mm MIN ALL OVER;  
CONTACT AREA 0.00076mm MIN Au PL;  
SOLDERING AREA 0.001mm MIN Sn PL.  
SOLDER PEG : 0.001mm MIN Sn PL. OVER 0.0013mm MIN Ni PL ALL OVER.

BLACK	62.8	440	9-1827231-6
BLACK	62.8	440	3-1827231-6
CAP COLOR	B	POS	PART NO.

THIS DRAWING IS A CONTROLLED DOCUMENT.		DWN	TE Connectivity <b>HARD TRAY ASSY</b> FH 0.5BTB CONNECTOR 440POS REC 4H W/G-PLATE ON 2 ROW CAP	
DIMENSIONS: MM		CHK		
TOLERANCES UNLESS OTHERWISE SPECIFIED:		APVD		
0 PLC ± 0.3 1 PLC ± 0.3 2 PLC ± 0.3 3 PLC ± 0.3 4 PLC ± 0.3 ANGLES ± 3°		PRODUCT SPEC		
MATERIAL		FINISH	APPLICATION SPEC	NAME
1		2	WEIGHT	SIZE
			CUSTOMER DRAWING	CAGE CODE
				DRAWING NO
				RESTRICTED TO
				A300779
				C-1827231
				SCALE 4:1
				SHEET 2 OF 4
				REV C

4

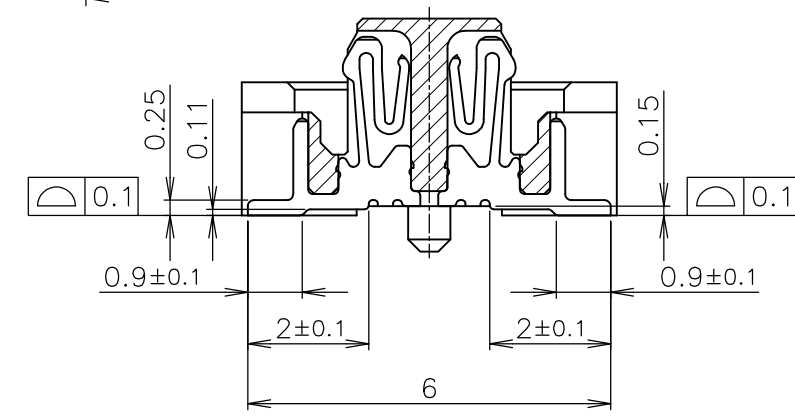
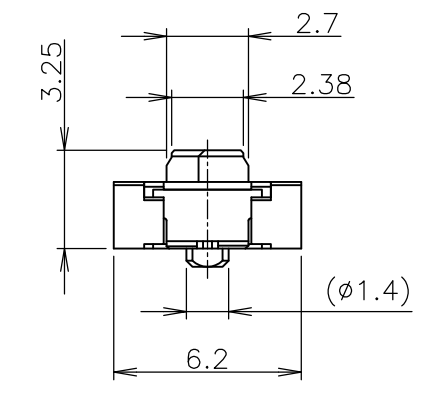
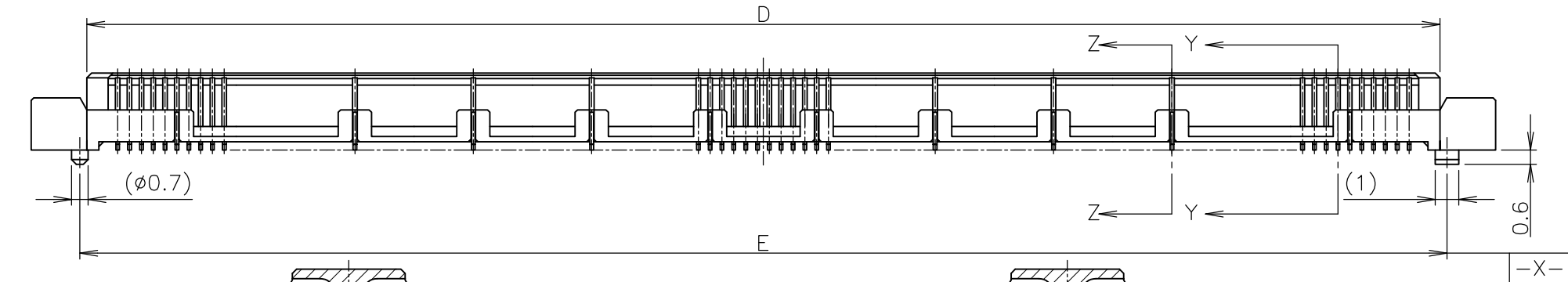
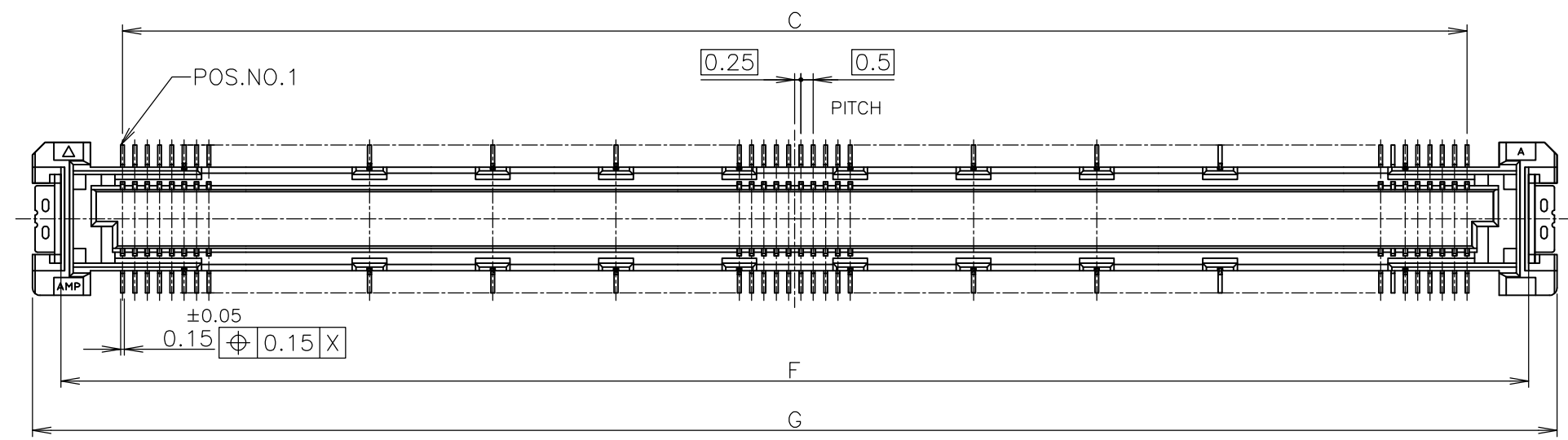
3

2

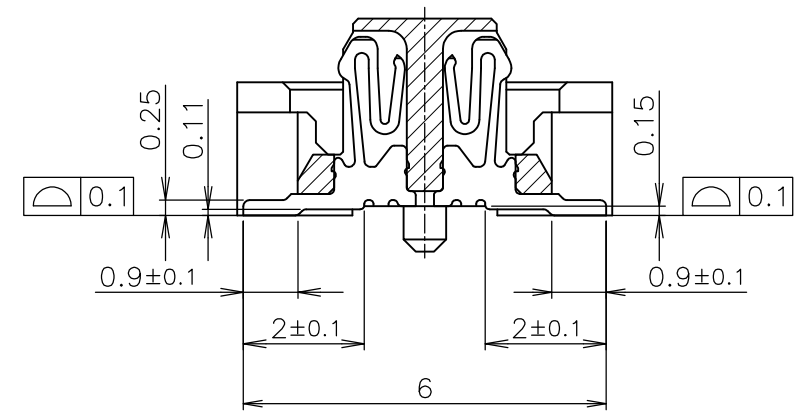
1

THIS DRAWING IS UNPUBLISHED. RELEASED FOR PUBLICATION .2002.  
 © COPYRIGHT 2002 By - ALL RIGHTS RESERVED.

LOC	DIST	REVISIONS					
J		P	LTR	DESCRIPTION	DATE	DWN	APVD
		-		SEE SHEET 1	-	-	-



SECT. Z-Z  
(GROUND POSITION)  
(SCALE 8:1)



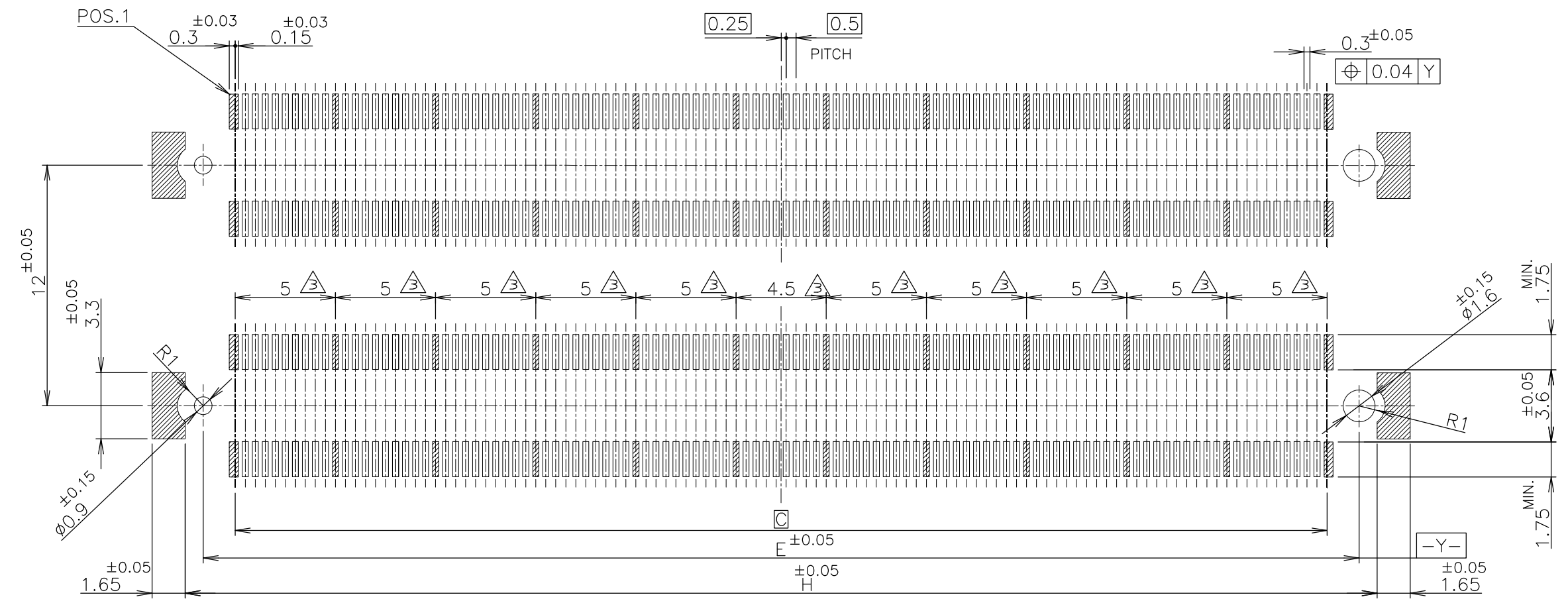
SECT. Y-Y  
(SIGNAL POSITION)  
(SCALE 8:1)

61.8	59.5	57.7	57.1	54.5	220	BLACK	9-1827231-6
61.8	59.5	57.7	57.1	54.5	220	BLACK	3-1827231-6
G	F	E	D	C	POS.	HSG COLOR	PART NO.

THIS DRAWING IS A CONTROLLED DOCUMENT.		DWN	TE Connectivity NAME HARD TRAY ASSY FH 0.5BTB CONNECTOR 440POS REC 4H W/G-PLATE ON 2 ROW CAP				
DIMENSIONS: MM		CHK					
TOLERANCES UNLESS OTHERWISE SPECIFIED: 0 PLC ± 0.3 1 PLC ± 0.3 2 PLC ± 0.3 3 PLC ± 0.3 4 PLC ± 0.3 ANGLES ± 3°		APVD					
		PRODUCT SPEC					
MATERIAL		FINISH	APPLICATION SPEC	SIZE	CAGE CODE	DRAWING NO	RESTRICTED TO
①		②	WEIGHT	A3	00779	C-1827231	
CUSTOMER DRAWING			SCALE	4:1	SHEET	3 OF 4	REV
							C

THIS DRAWING IS UNPUBLISHED. RELEASED FOR PUBLICATION ,2002.  
 © COPYRIGHT 2002 By - ALL RIGHTS RESERVED.

LOC	DIST	REVISIONS					
J		P	LTR	DESCRIPTION	DATE	DWN	APVD
		-		SEE SHEET 1	-	-	-



REFERENCE P.C.BOARD LAYOUT

59.5	440	9-1827231-6
59.5	440	3-1827231-6
H	POS	PART NO.

THIS DRAWING IS A CONTROLLED DOCUMENT.		DWN	TE Connectivity NAME HARD TRAY ASSY FH 0.5BTB CONNECTOR 440POS REC 4H W/G-PLATE ON 2 ROW CAP				
DIMENSIONS: MM		CHK					
		APVD					
TOLERANCES UNLESS OTHERWISE SPECIFIED: 0 PLC ± 0.3 1 PLC ± 0.3 2 PLC ± 0.3 3 PLC ± 0.3 4 PLC ± 0.3 ANGLES ± 3°		PRODUCT SPEC					
MATERIAL		WEIGHT	APPLICATION SPEC	SIZE	CAGE CODE	DRAWING NO	RESTRICTED TO
			CUSTOMER DRAWING	A3	00779	C-1827231	
			SCALE	SHEET	REV		
			4:1	4 OF 4	C		