



Chipsmall Limited consists of a professional team with an average of over 10 year of expertise in the distribution of electronic components. Based in Hongkong, we have already established firm and mutual-benefit business relationships with customers from,Europe,America and south Asia,supplying obsolete and hard-to-find components to meet their specific needs.

With the principle of “Quality Parts,Customers Priority,Honest Operation,and Considerate Service”,our business mainly focus on the distribution of electronic components. Line cards we deal with include Microchip,ALPS,ROHM,Xilinx,Pulse,ON,Everlight and Freescale. Main products comprise IC,Modules,Potentiometer,IC Socket,Relay,Connector.Our parts cover such applications as commercial,industrial, and automotives areas.

We are looking forward to setting up business relationship with you and hope to provide you with the best service and solution. Let us make a better world for our industry!



## Contact us

Tel: +86-755-8981 8866 Fax: +86-755-8427 6832

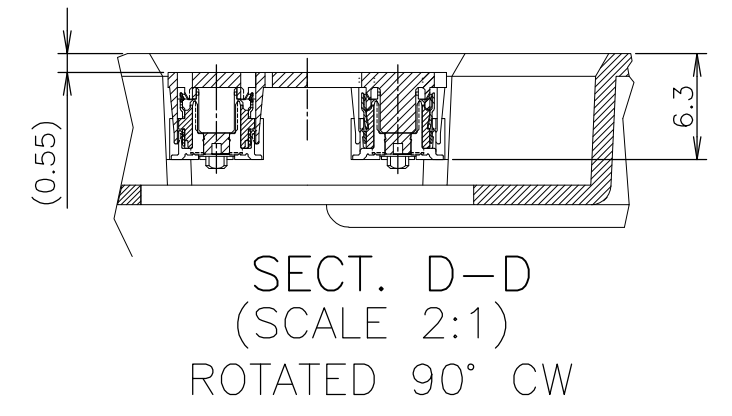
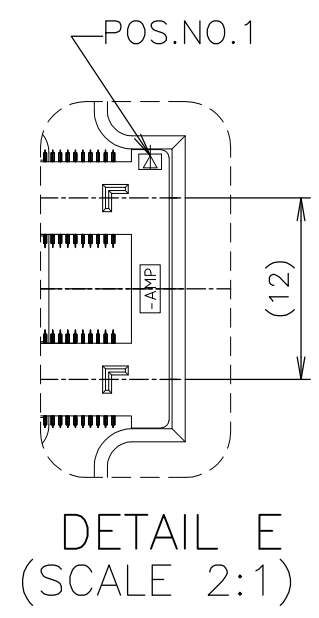
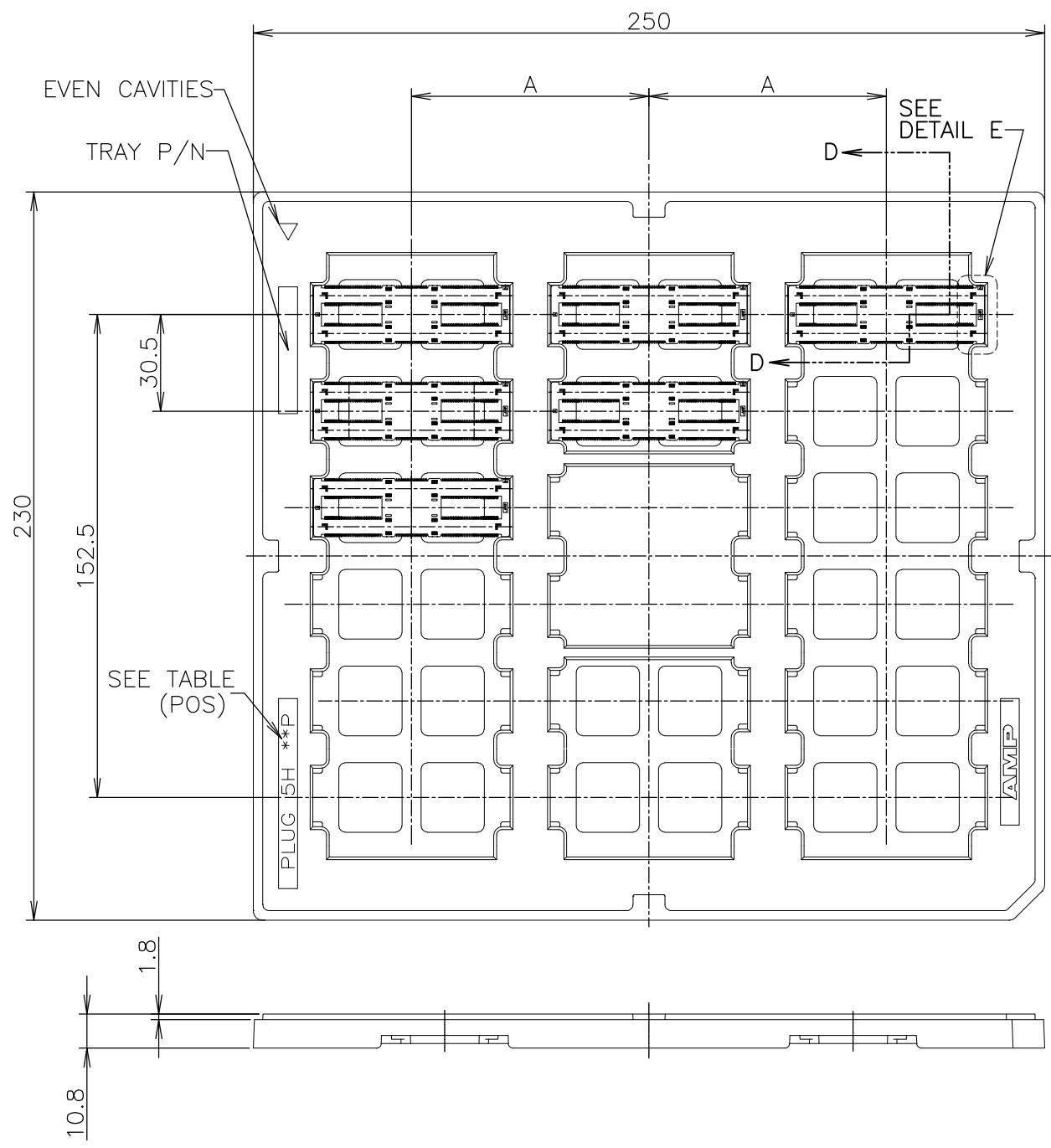
Email & Skype: info@chipsmall.com Web: www.chipsmall.com

Address: A1208, Overseas Decoration Building, #122 Zhenhua RD., Futian, Shenzhen, China


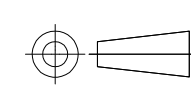


THIS DRAWING IS UNPUBLISHED. RELEASED FOR PUBLICATION .2005.  
 © COPYRIGHT 2005 By - ALL RIGHTS RESERVED.

LOC	DIST	REVISIONS			
P	LTR	DESCRIPTION	DATE	DWN	APVD
J		B1	REVISED PER ECO-11-005030	11MAR11	RK HMR



NO	3	18	75	440	3-1827233-6
SEALANT	ROW	QTY	A	POS.	PART NO.

THIS DRAWING IS A CONTROLLED DOCUMENT.		DWN S.CH IEN 18MAY05	 TE Connectivity <b>HARD TRAY ASSY</b> FH 0.5 BTB CONNECTOR 440POS PLUG 5H W/G-PLATE ON 2 ROW CAP				
DIMENSIONS: MM		CHK T.FUTATSUGI 18MAY05				NAME	
		APVD W.KODAMA 18MAY05				PRODUCT SPEC	
TOLERANCES UNLESS OTHERWISE SPECIFIED:		APPLICATION SPEC				108-5560	
MATERIAL		FINISH	WEIGHT	SIZE A3	CAGE CODE 00779	DRAWING NO C-1827233	RESTRICTED TO
CUSTOMER DRAWING			SCALE 1:2	SHEET 1 OF 4	REV B1		

4

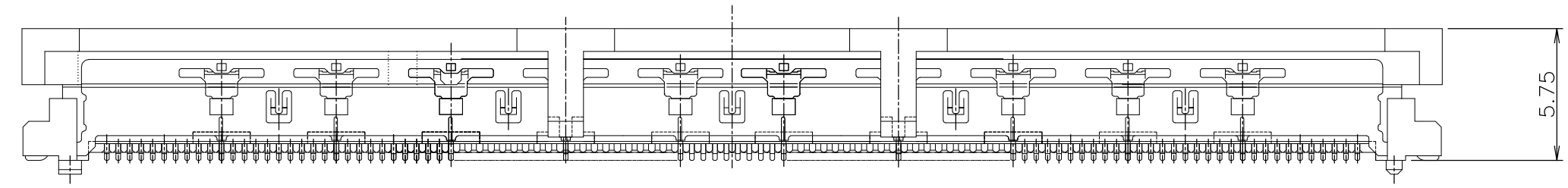
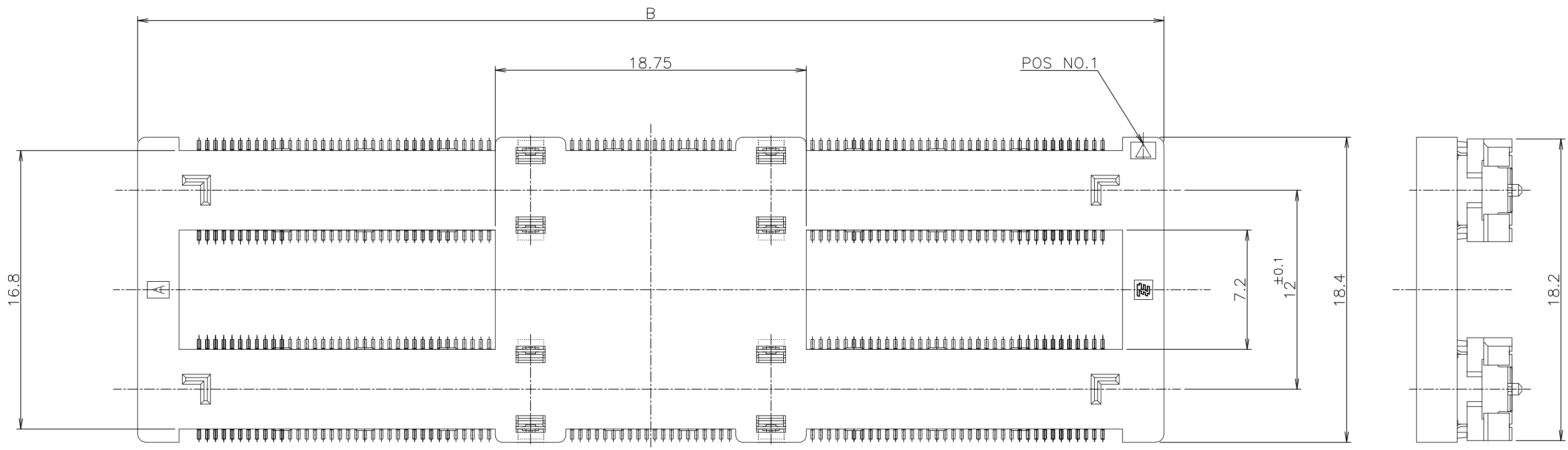
3

2

1

THIS DRAWING IS UNPUBLISHED. RELEASED FOR PUBLICATION ,2002.  
 © COPYRIGHT 2002 By - ALL RIGHTS RESERVED.

LOC J	DIST	REVISIONS		
P	LTR	DESCRIPTION	DATE	DWN
	-	SEE SHEET 1	-	-
				APVD

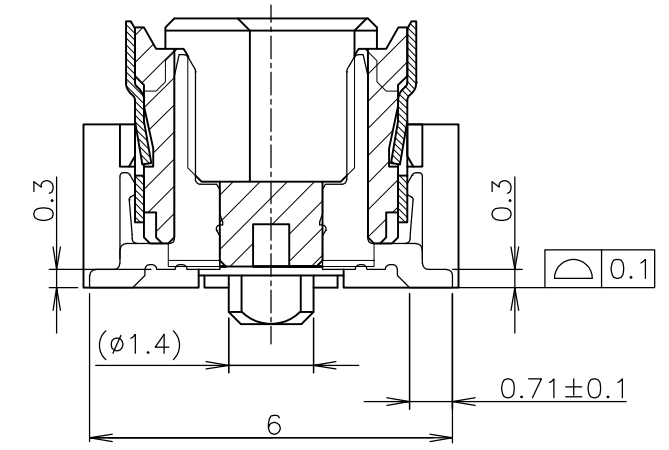
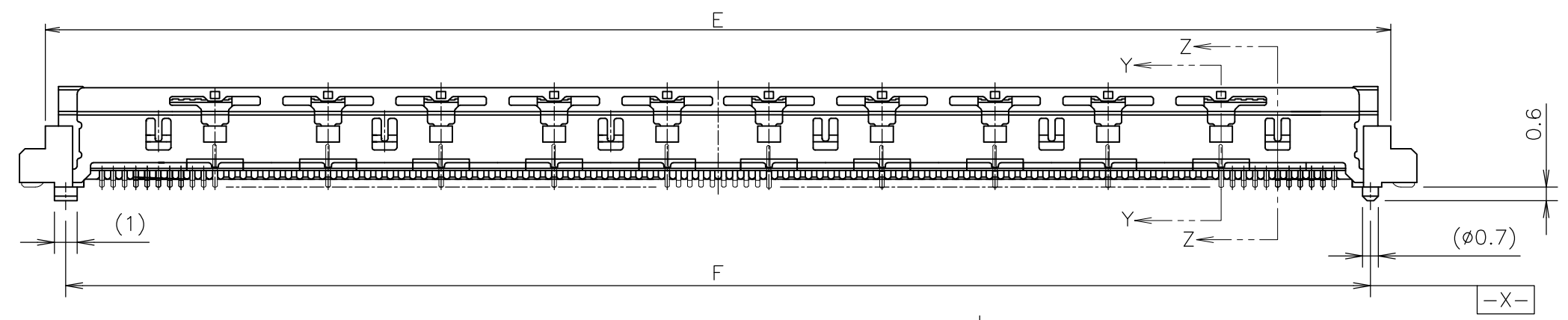
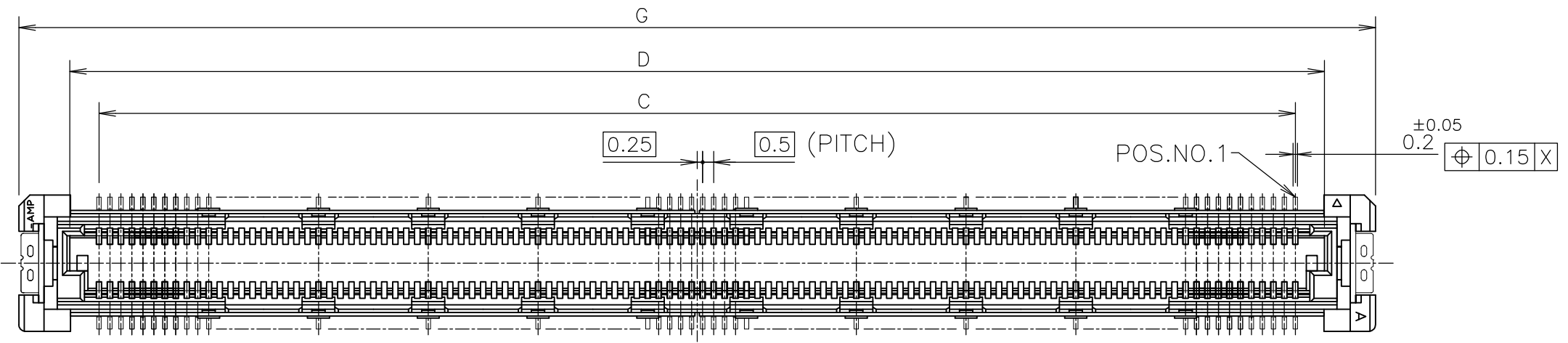


BLACK	61.9	440	3-1827233-6
CAP COLOR	B	POS	PART NO.

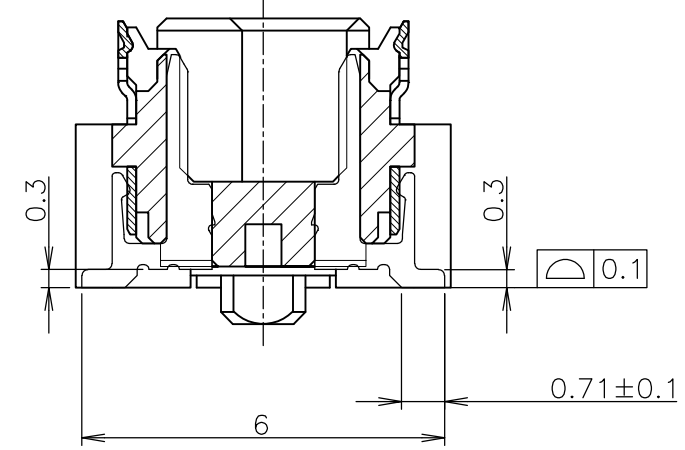
THIS DRAWING IS A CONTROLLED DOCUMENT.		DWN	TE Connectivity NAME HARD TRAY ASSY FH 0.5 BTB CONNECTOR 440POS PLUG 5H W/G-PLATE ON 2 ROW CAP	
DIMENSIONS: MM		CHK		
		APVD		
TOLERANCES UNLESS OTHERWISE SPECIFIED: 0 PLC ± 0.3 1 PLC ± 0.3 2 PLC ± 0.3 3 PLC ± 0.3 4 PLC ± 0.3 ANGLES ± 3°		PRODUCT SPEC		
MATERIAL		FINISH	APPLICATION SPEC	RESTRICTED TO
		WEIGHT	SIZE	CAGE CODE
		CUSTOMER DRAWING	A3	00779
		SCALE	DRAWING NO	REV
		4:1	C-1827233	B1
		SHEET	2 OF 4	

THIS DRAWING IS UNPUBLISHED. RELEASED FOR PUBLICATION .2002.  
 © COPYRIGHT 2002 By - ALL RIGHTS RESERVED.

LOC	DIST	REVISIONS					
J		P	LTR	DESCRIPTION	DATE	DWN	APVD
		-		SEE SHEET 1	-	-	-



SECT. Z-Z  
(SIGNAL POSITION)  
(SCALE 8:1)



SECT. Y-Y  
(GROUND POSITION)  
(SCALE 8:1)

**NOTES**  
 1 MATERIAL ; HOUSING : HIGH TEMP THERMO PLASTIC UL94V-0  
 CONTACT : COPPER ALLOY  
 SOLDER PEG : COPPER ALLOY  
 2 FINISH ; SIGNAL CONTACT : UNDER PL Ni 0.0013mm MIN ALL OVER.  
 CONTACT AREA 0.0002mm MIN Au PL.  
 SOLDERING AREA 0.00005mm MIN Au PL.  
 GROUND CONTACT : UNDER PL Ni 0.0013mm MIN ALL OVER.  
 CONTACT AREA 0.0002mm MIN Au PL.  
 SOLDERING AREA 0.001mm MIN Sn PL.  
 SOLDER PEG : 0.001mm MIN Sn PL. OVER  
 0.0013mm MIN Ni PL ALL OVER.  
 3 THIS POSITION IS GROUND CIRCUIT.

61.8	57.7	59.5	57.1	54.5	220	BLACK	3-1827233-6
G	F	E	D	C	POS.	HSG COLOR	PART NO.

THIS DRAWING IS A CONTROLLED DOCUMENT.		DWN		TE Connectivity <b>HARD TRAY ASSY</b> FH 0.5 BTB CONNECTOR 440POS PLUG 5H W/G-PLATE ON 2 ROW CAP	
DIMENSIONS: MM		TOLERANCES UNLESS OTHERWISE SPECIFIED:			
		0 PLC ± 0.3 1 PLC ± 0.3 2 PLC ± 0.3 3 PLC ± 0.3 4 PLC ± 0.3 ANGLES ± 3°			
MATERIAL		FINISH			
1		2		NAME	
CUSTOMER DRAWING		WEIGHT		SIZE	
		A3		CAGE CODE	
		00779		DRAWING NO	
		G-1827233		RESTRICTED TO	
		SCALE 4:1		SHEET 3 OF 4	
				REV B1	

4

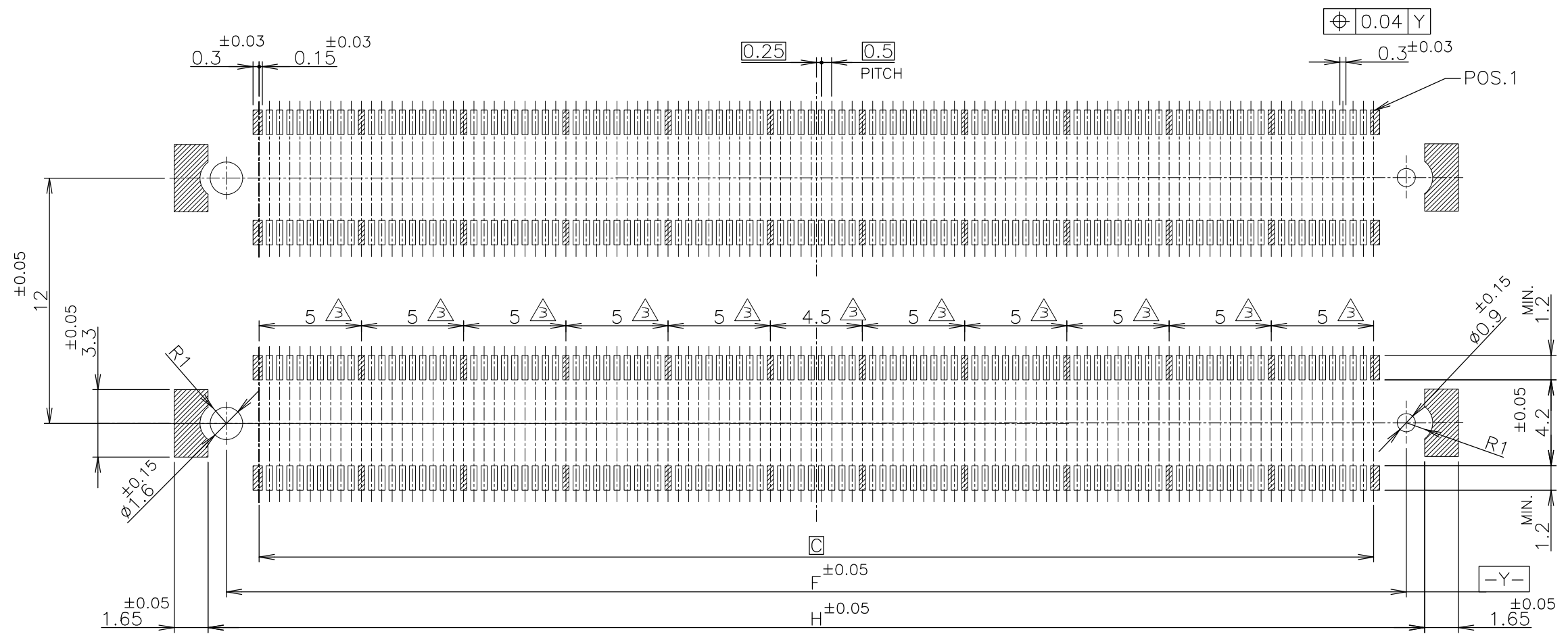
3

2

1

THIS DRAWING IS UNPUBLISHED. RELEASED FOR PUBLICATION .2002.  
 © COPYRIGHT 2002 By - ALL RIGHTS RESERVED.

LOC	DIST	REVISIONS					
J		P	LTR	DESCRIPTION	DATE	DWN	APVD
		-		SEE SHEET 1	-	-	-



REFERENCE P.C.BOARD LAYOUT

59.5	440	3-1827233-6
H	POS	PART NO.

THIS DRAWING IS A CONTROLLED DOCUMENT.		DWN	TE Connectivity NAME HARD TRAY ASSY FH 0.5 BTB CONNECTOR 440POS PLUG 5H W/G-PLATE ON 2 ROW CAP				
DIMENSIONS: MM		CHK					
		APVD					
TOLERANCES UNLESS OTHERWISE SPECIFIED: 0 PLC ± 0.3 1 PLC ± 0.3 2 PLC ± 0.3 3 PLC ± 0.3 4 PLC ± 0.3 ANGLES ± 3°		PRODUCT SPEC					
MATERIAL		FINISH	APPLICATION SPEC	SIZE	CAGE CODE	DRAWING NO	RESTRICTED TO
			WEIGHT	A3	00779	C-1827233	
			CUSTOMER DRAWING	SCALE	4:1	SHEET	4 OF 4
						REV	B1