



Chipsmall Limited consists of a professional team with an average of over 10 year of expertise in the distribution of electronic components. Based in Hongkong, we have already established firm and mutual-benefit business relationships with customers from,Europe,America and south Asia,supplying obsolete and hard-to-find components to meet their specific needs.

With the principle of “Quality Parts,Customers Priority,Honest Operation,and Considerate Service”,our business mainly focus on the distribution of electronic components. Line cards we deal with include Microchip,ALPS,ROHM,Xilinx,Pulse,ON,Everlight and Freescale. Main products comprise IC,Modules,Potentiometer,IC Socket,Relay,Connector.Our parts cover such applications as commercial,industrial, and automotives areas.

We are looking forward to setting up business relationship with you and hope to provide you with the best service and solution. Let us make a better world for our industry!



Contact us

Tel: +86-755-8981 8866 Fax: +86-755-8427 6832

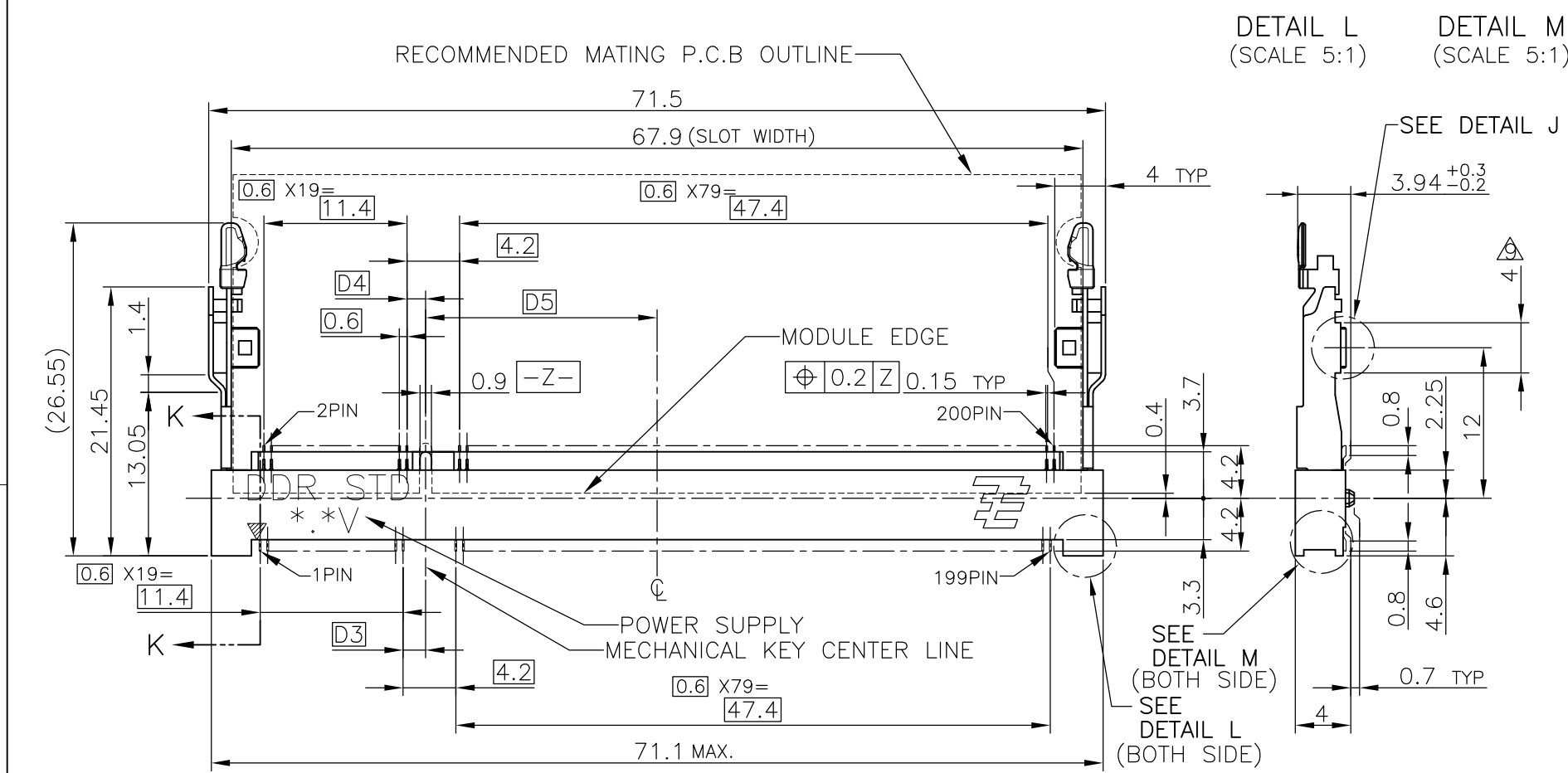
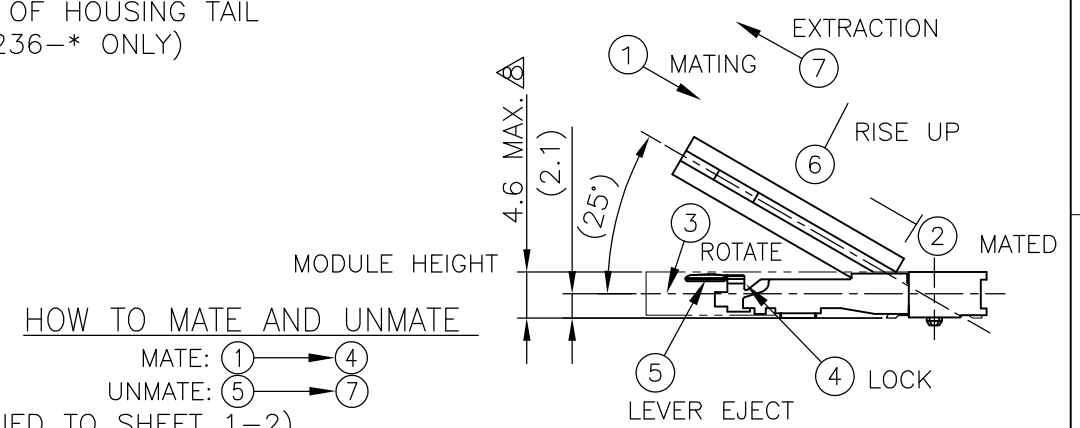
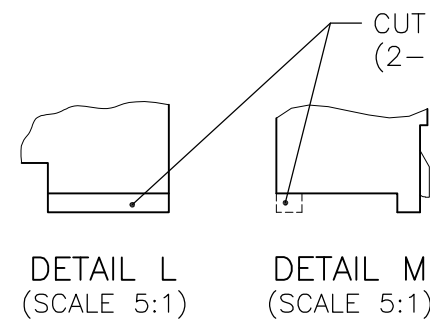
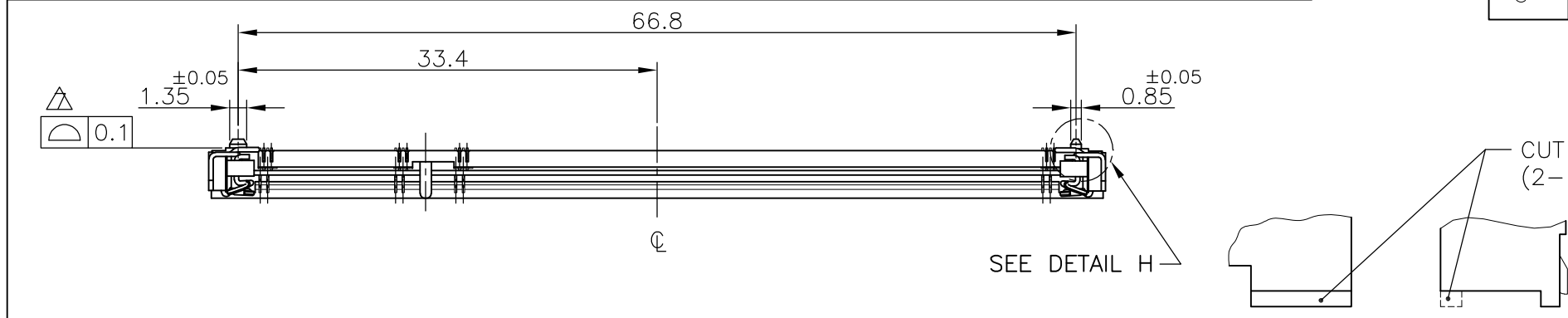
Email & Skype: info@chipsmall.com Web: www.chipsmall.com

Address: A1208, Overseas Decoration Building, #122 Zhenhua RD., Futian, Shenzhen, China

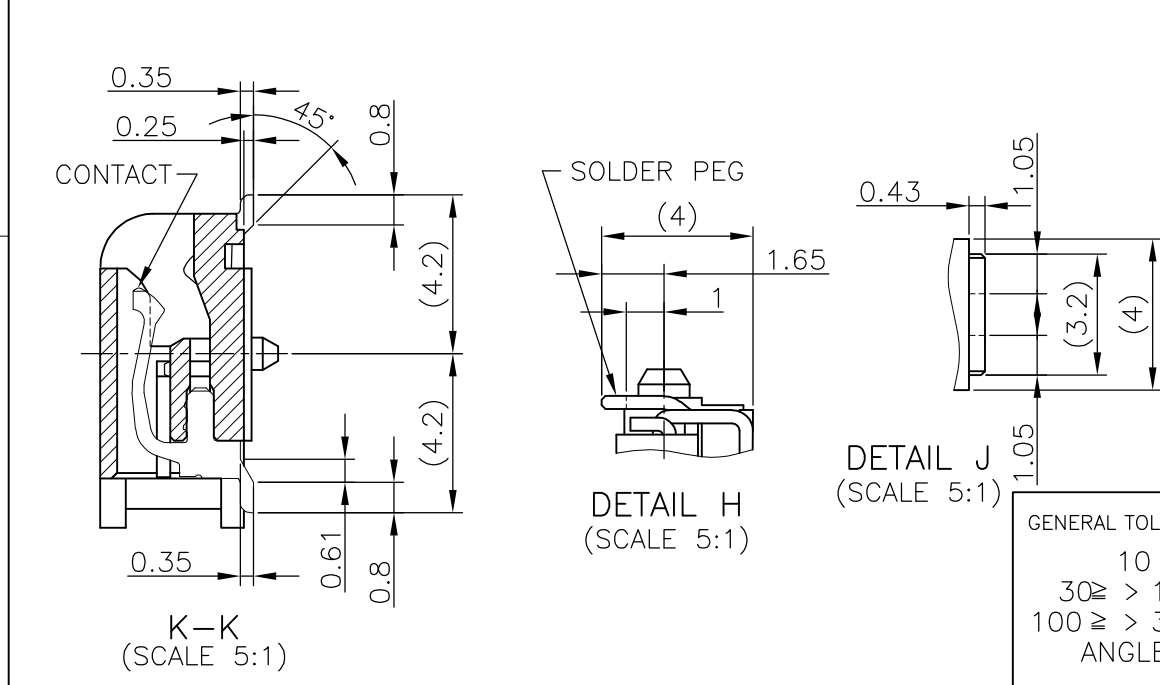


THIS DRAWING IS UNPUBLISHED. RELEASED FOR PUBLICATION NOV. 2004.
 © COPYRIGHT 2004 By - ALL RIGHTS RESERVED.

LOC	DIST	REVISIONS			
P	LTR	DESCRIPTION	DATE	DWN	APVD
J		R2	REVISED PER ECO-11-005033	26MAR11	RK HMR



- HOW TO MATE AND UNMATE (APPLIED TO SHEET 1-2)
- MATE: ① → ④
 UNMATE: ⑤ → ⑦
1. MATERIAL ; HOUSING: HIGH TEMPERATURE THERMO PLASTIC UL94V-0
 CONTACT: COPPER ARROY
 LOCK LEVER: STAINLESS STEEL
 - △ FINISH ; CONTACT AREA: GOLD FLASH ON 0.0013MIN ALL OVER NICKEL.
 SOLDERING AREA: GOLD FLASH PLATING.
 LOCK LEVER: TIN PLATING.
 - △ MECHANICAL KEY POSITION OF CONNECTOR SEE TABLE.
 - △ TOLERANCES NON-CUMULATIVE.
 - △ NOT TO SCALE.
 - △ INSIDE MUST BE RESIST COAT EXCEPT SOLDER PATTERN.
 - △ COPLANARITY : 0.1 MAX.
 - △ THE FLOATING VALUE BY SOLDERING IS NOT INCLUDED.
 - △ NOT MATING CONDITION.
 - 10 IF THE MODULE DOESN'T INSERT AND LOCK IN THE LATCH SMOOTHLY,
 OPEN WIDE BOTH LATCHES BY MANUAL. AND THE MODULE MUST BE
 INSERTED AND LOCKED IN THE LATCH.
 - △ FINISH ; CONTACT AREA: GOLD 0.00076MIN PLATING ON 0.0013MIN ALL
 OVER NICKEL.
 SOLDERING AREA: GOLD FLASH PLATING.
 LOCK LEVER: TIN PLATING.



FINISH	TOOLING STATUS	REMARK	POWER SUPPLY	D5	D4	D3	POS	PART NO.
△	AVAILABLE	POROSITY SEALING	1.8V (DDR2)	17.55	2.4	2.7	200	1827236-6
△	AVAILABLE	CUT OUT OF POROSITY SEALING	1.8V (DDR2)	17.55	2.4	2.7	200	3-1827236-4
△	AVAILABLE	CUT OUT OF HOUSING TAIL	1.8V (DDR2)	17.55	2.4	2.7	200	2-1827236-4
△	AVAILABLE	BOSSLESS	1.8V (DDR2)	17.55	2.4	2.7	200	1-1827236-4
△	AVAILABLE	— —	1.8V (DDR2)	17.55	2.4	2.7	200	1827236-4
— —	NOT AVAILABLE	— —	2.5V (DDR1)	18.45	1.5	1.8	200	—

THIS DRAWING IS A CONTROLLED DOCUMENT.

DWN B.WONG 20JUL10
 CHK C.WANG 20JUL10
 APVD S.YAO 20JUL10

STE TE Connectivity

NAME: DDR1 & DDR2 SODIMM SOCKET 0.6mm PITCH
 200POS LOW PROFILE STANDARD TYPE
 (LATCH DIRECT SOLDERING TYPE)

PRODUCT SPEC: 108-5701
 APPLICATION SPEC

SIZE: A3 CAGE CODE: 00779 DRAWING NO: C-1827236 RESTRICTED TO: C

WEIGHT: 3.2 g

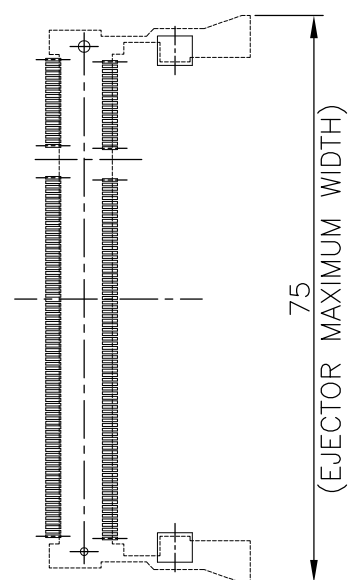
CUSTOMER DRAWING SCALE: 2:1 SHEET: 1 OF 4 REV: R2

GENERAL TOLERANCE:
 10 ≥ : ±0.2
 30 ≥ > 10: ±0.25
 100 ≥ > 30: ±0.3
 ANGLES: ±3'

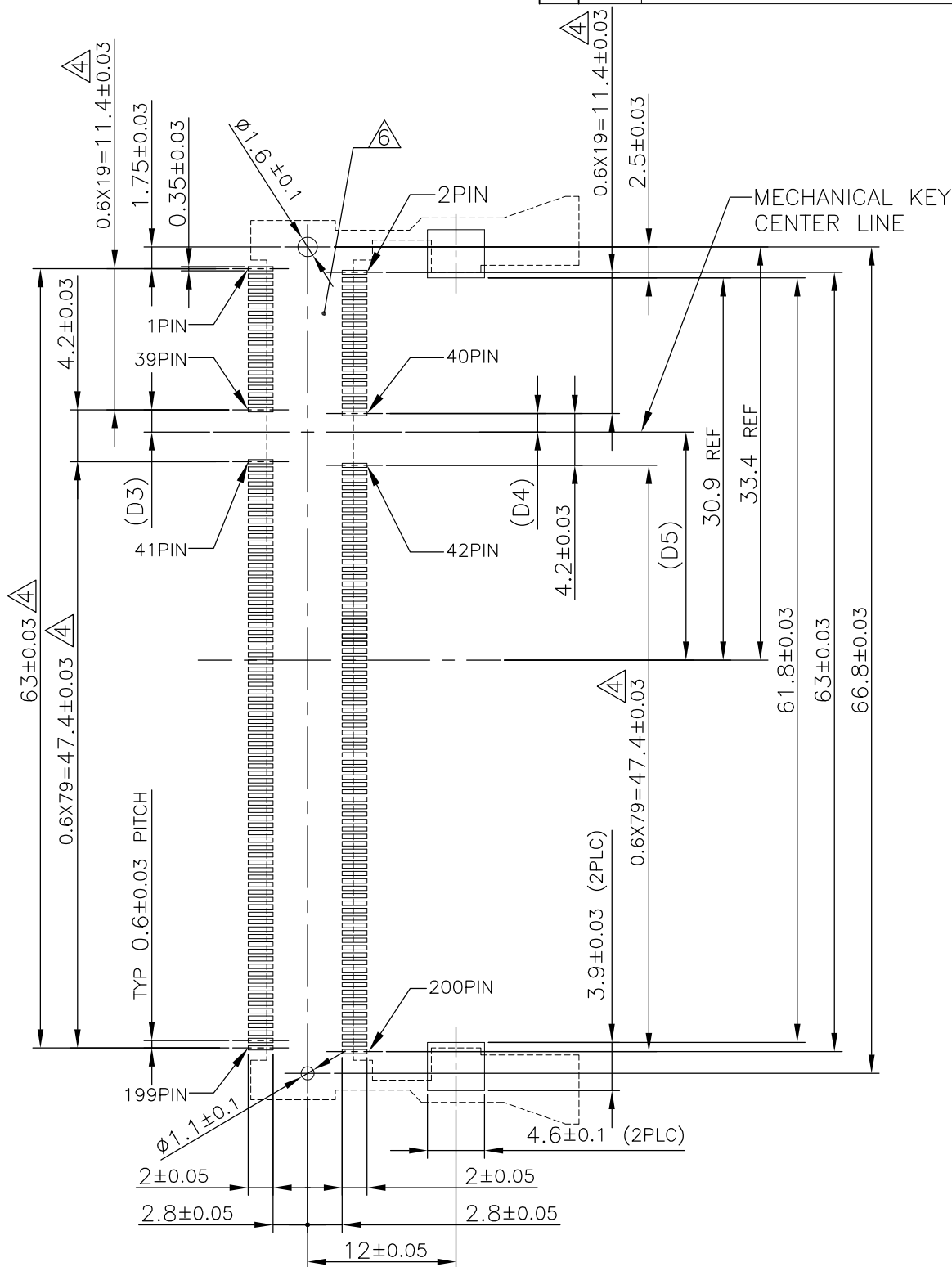
TOLERANCES UNLESS OTHERWISE SPECIFIED:
 0 PLC ±
 1 PLC ±
 2 PLC ±
 3 PLC ±
 4 PLC ±
 ANGLES ±
 FINISH ±

LOC	DIST	REVISIONS		
J		P	LTR	DESCRIPTION
		-	-	SEE SHEET 1
				DATE
				DWN
				APVD

REFERENCE P.C. BOARD PATTERN LAYOUT (CONNECTOR MOUNTING SIDE)



REAL SIZE (SCALE 1:1)

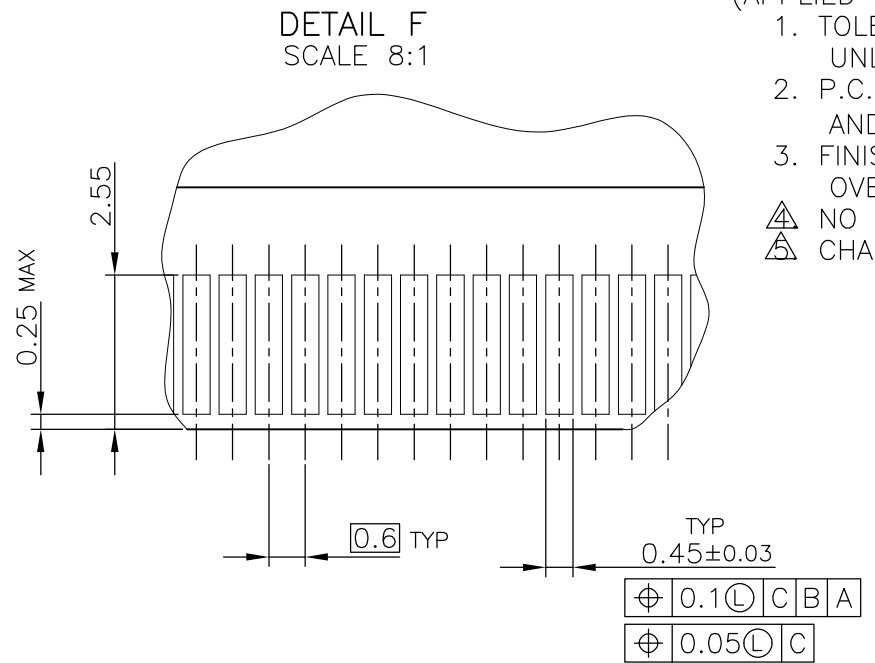
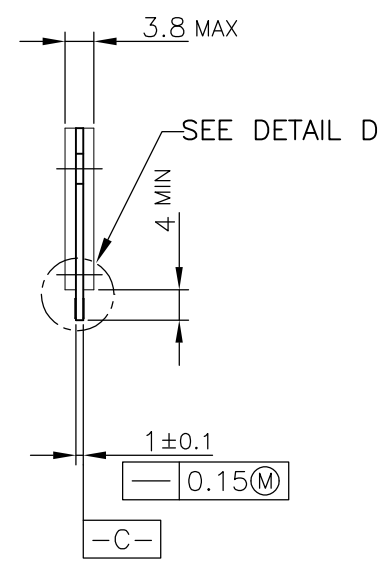
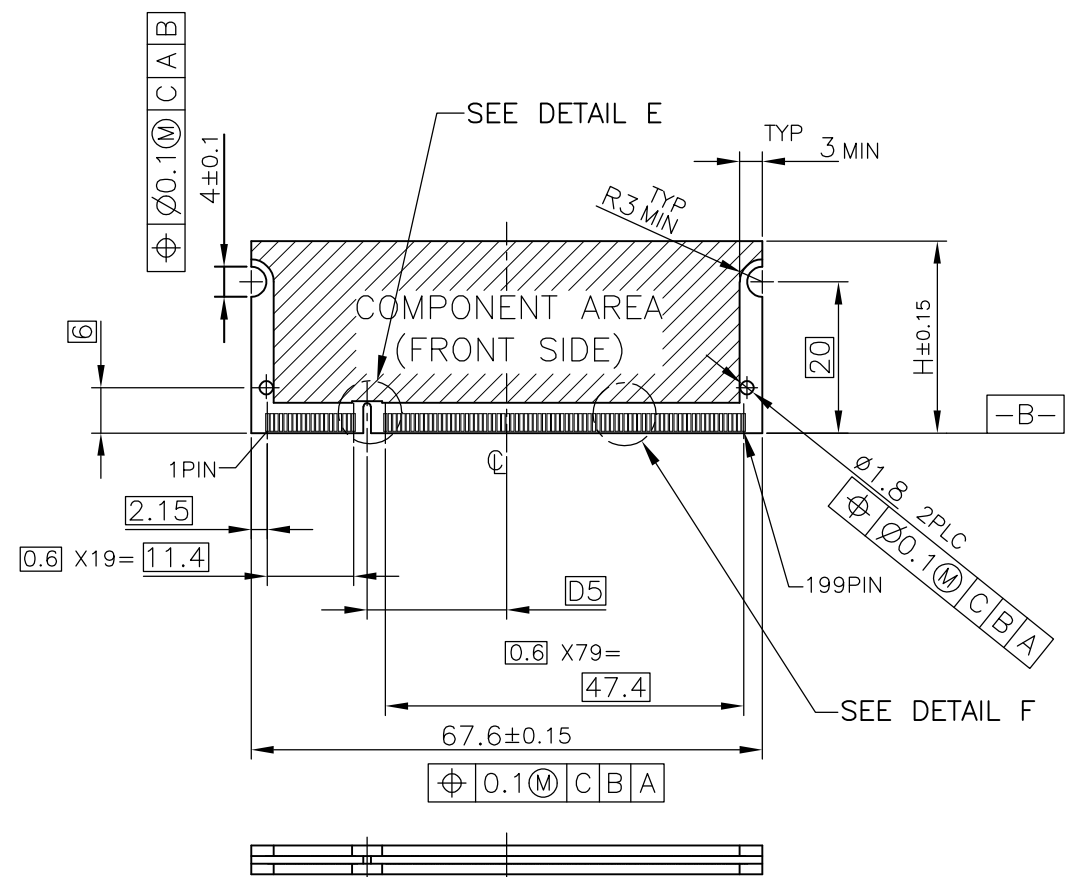


1.8V	17.55	2.4	2.7
2.5V	18.45	1.5	1.8
POWER SUPPLY	D5	D4	D3

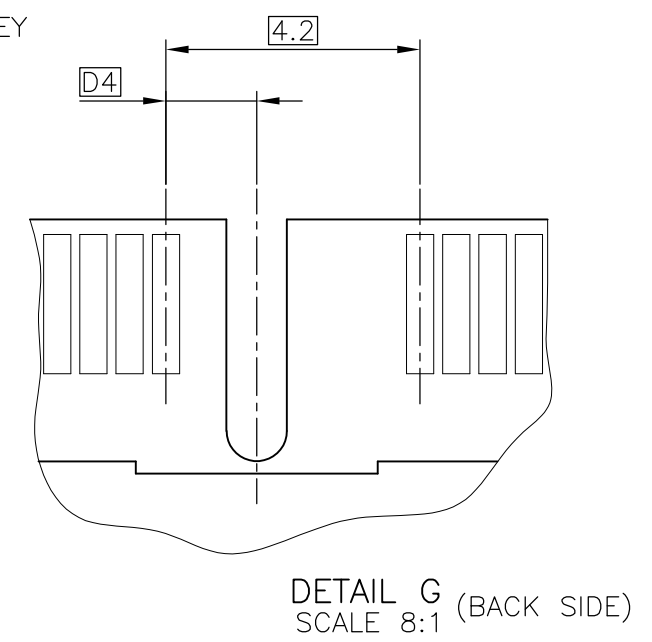
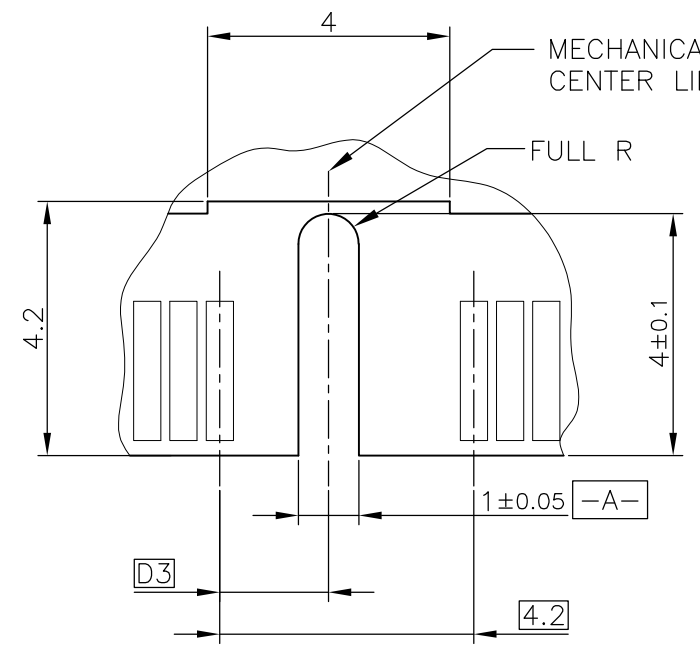
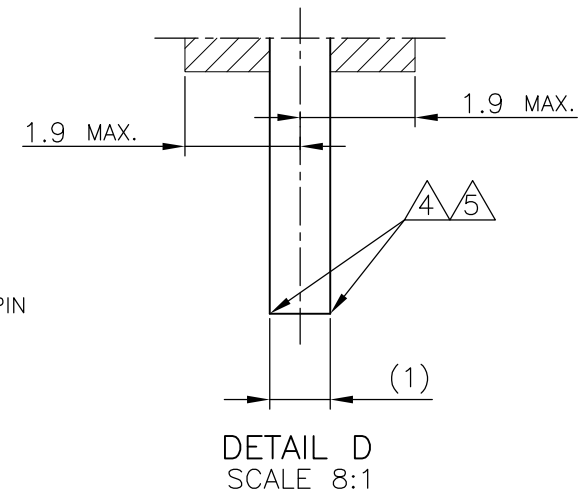
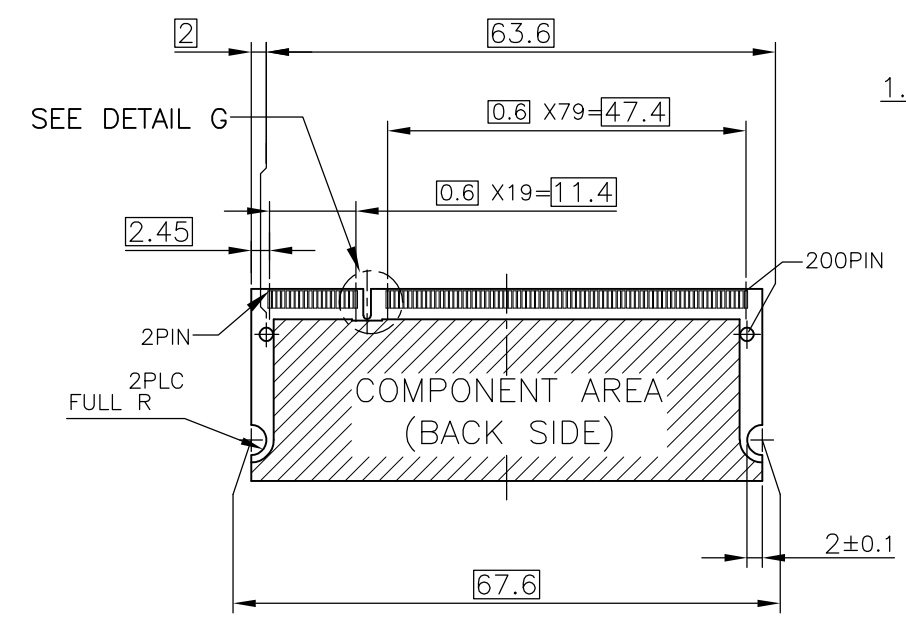
THIS DRAWING IS A CONTROLLED DOCUMENT.		DWN	STE TE Connectivity		
DIMENSIONS: MM		CHK			
TOLERANCES UNLESS OTHERWISE SPECIFIED:		APVD	NAME		
0 PLC ±		PRODUCT SPEC	DDR1 & DDR2 SODIMM SOCKET 0.6mm PITCH		
1 PLC ±		APPLICATION SPEC	200POS LOW PROFILE STANDARD TYPE		
2 PLC ±		SIZE	CAGE CODE	DRAWING NO	RESTRICTED TO
3 PLC ±		WEIGHT	A3	00779	C-1827236
4 PLC ±	FINISH	CUSTOMER DRAWING			
ANGLES ±		SCALE	SHEET	REV	
		2:1	2 OF 4	R2	

THIS DRAWING IS UNPUBLISHED. RELEASED FOR PUBLICATION NOV. 2004. ALL RIGHTS RESERVED.

LOC	DIST	REVISIONS					
J		P	LTR	DESCRIPTION	DATE	DWN	APVD
		-		SEE SHEET 1	-	-	-



- (APPLIED TO SHEET 3)
1. TOLERANCES ON ALL DIMENSIONS ±0.15 UNLESS OTHERWISE SPECIFIED.
 2. P.C.BOARD THICKNESS APPLIES ACROSS TABS AND INCLUDES PLATING AND/OR METALIZATION.
 3. FINISH OF PAD : GOLD PLATING 0.00076 MIN. OVER Ni PLATING 0.002MIN.
- △ NO BURR
 ▽ CHAMFER 0.25 MAX x 45° IF EXIST.



RECOMMENDED MATING P.C.B CONFIGURATION

THIS DRAWING IS A CONTROLLED DOCUMENT.		DWN
DIMENSIONS: MM		CHK
TOLERANCES UNLESS OTHERWISE SPECIFIED:		APVD
0 PLC ±		PRODUCT SPEC
1 PLC ±		APPLICATION SPEC
2 PLC ±		WEIGHT
3 PLC ±		CUSTOMER DRAWING
4 PLC ±		SCALE 2:1
ANGLES ±		SHEET 3 OF 4
FINISH ±		REV R2

31.75	1.8V	17.55	2.4	2.7
25.4	2.5V	18.45	1.5	1.8
H	POWER SUPPLY	D5	D4	D3

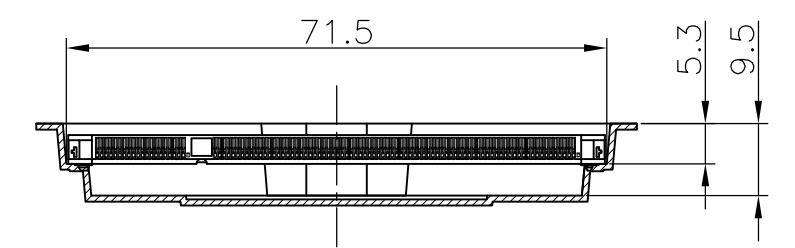
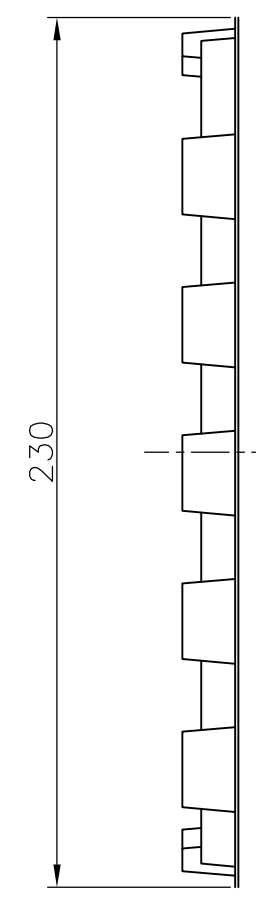
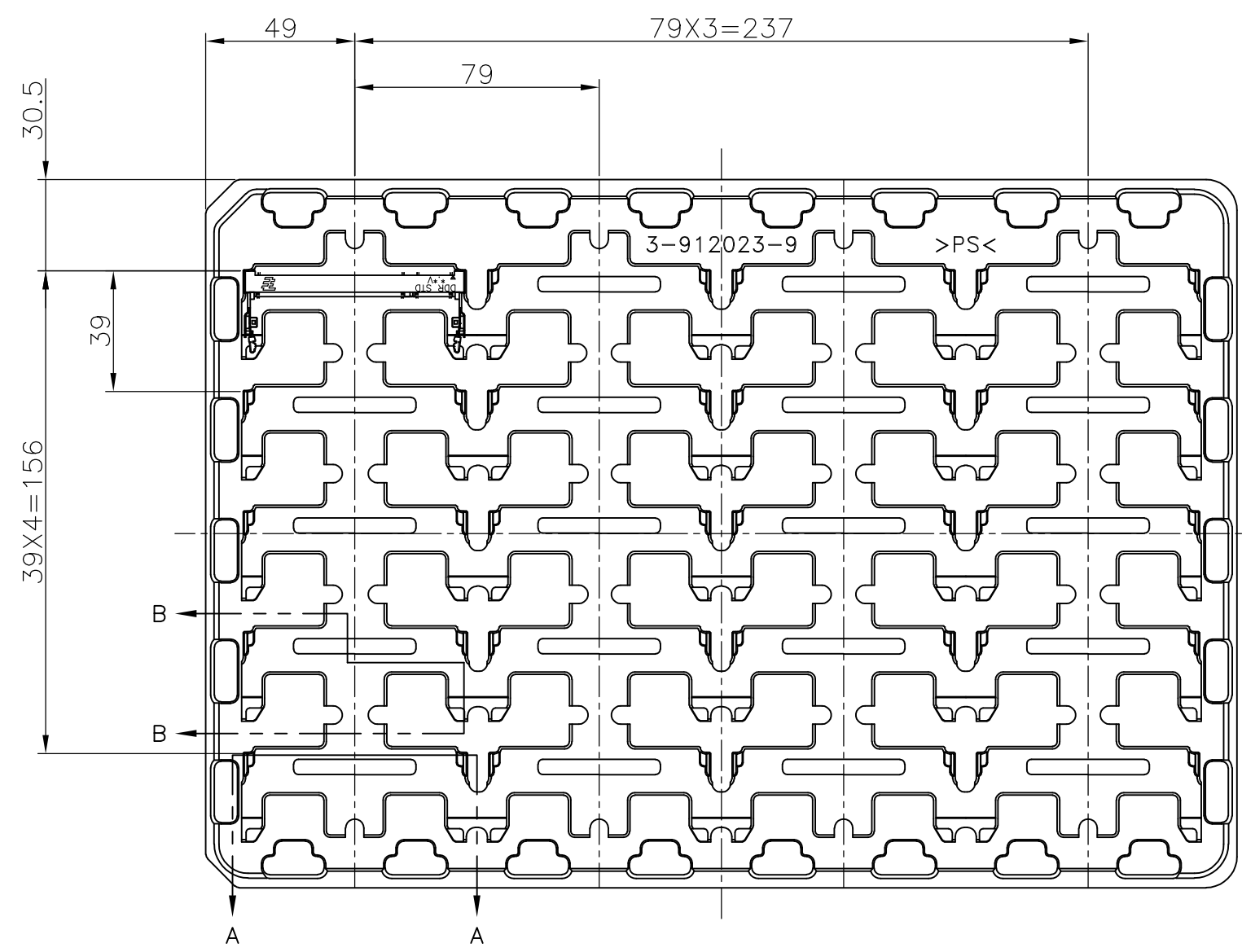
STE TE Connectivity

NAME: DDR1 & DDR2 SODIMM SOCKET 0.6mm PITCH 200POS LOW PROFILE STANDARD TYPE (LATCH DIRECT SOLDERING TYPE)

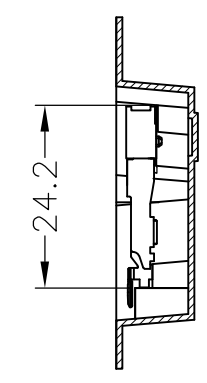
SIZE: A3 CAGE CODE: 00779 DRAWING NO: C-1827236 RESTRICTED TO: []

THIS DRAWING IS UNPUBLISHED. RELEASED FOR PUBLICATION NOV , 2004.
 © COPYRIGHT 2004 By - ALL RIGHTS RESERVED.

LOC	DIST	REVISIONS			
P	LTR	DESCRIPTION	DATE	DWN	APVD
J		SEE SHEET 1	-	-	-



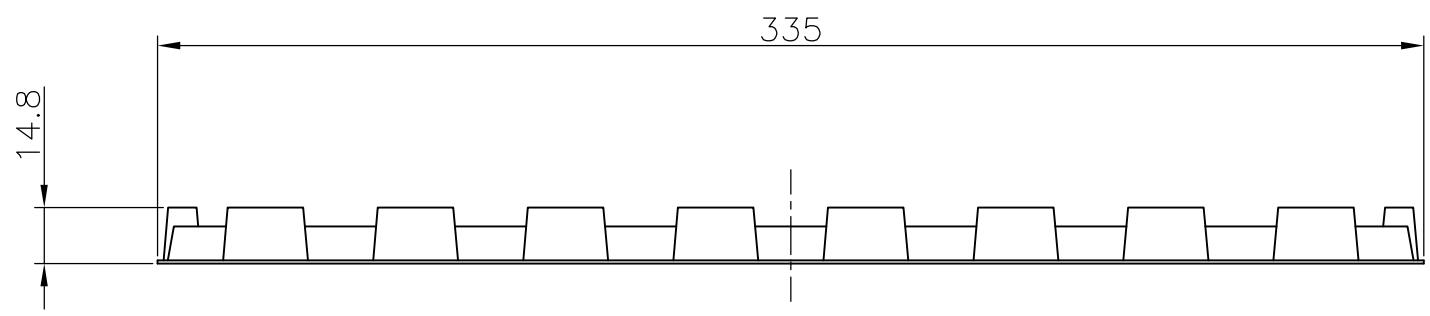
A-A
SCALE 1:1
(180DEG. ROTATE)



B-B
SCALE 1:1

1. THE DIRECTION OF EACH CONNECTOR ON A TRAY IS REFERRED TO THIS DRAWING.
2. GENERAL TOLERANCE : ±0.5

AVAILABLE	20EA/TRAY	1827236-6
AVAILABLE	20EA/TRAY	3-1827236-4
AVAILABLE	20EA/TRAY	2-1827236-4
AVAILABLE	20EA/TRAY	1-1827236-4
AVAILABLE	20EA/TRAY	1827236-4
NOT AVAILABLE	20EA/TRAY	-
TOOLING STATUS	QTY	P/N



THIS DRAWING IS A CONTROLLED DOCUMENT.

DIMENSIONS: MM	TOLERANCES UNLESS OTHERWISE SPECIFIED: 0 PLC ± 1 PLC ± 2 PLC ± 3 PLC ± 4 PLC ± ANGLES ± FINISH	DWN CHK APVD PRODUCT SPEC APPLICATION SPEC WEIGHT	TE Connectivity NAME SEMI-HARD TRAY ASSY DDR1 & DDR2 SODIMM SOCKET 200P LOW PROFILE STANDARD TYPE (LATCH DIRECT SOLDERING TYPE)	
MATERIAL		CUSTOMER DRAWING	SIZE A3	CAGE CODE 00779
			DRAWING NO C-1827236	RESTRICTED TO
			SCALE 1:2	SHEET 4 OF 4
				REV R2