



Chipsmall Limited consists of a professional team with an average of over 10 year of expertise in the distribution of electronic components. Based in Hongkong, we have already established firm and mutual-benefit business relationships with customers from,Europe,America and south Asia,supplying obsolete and hard-to-find components to meet their specific needs.

With the principle of “Quality Parts,Customers Priority,Honest Operation,and Considerate Service”,our business mainly focus on the distribution of electronic components. Line cards we deal with include Microchip,ALPS,ROHM,Xilinx,Pulse,ON,Everlight and Freescale. Main products comprise IC,Modules,Potentiometer,IC Socket,Relay,Connector.Our parts cover such applications as commercial,industrial, and automotives areas.

We are looking forward to setting up business relationship with you and hope to provide you with the best service and solution. Let us make a better world for our industry!



## Contact us

Tel: +86-755-8981 8866 Fax: +86-755-8427 6832

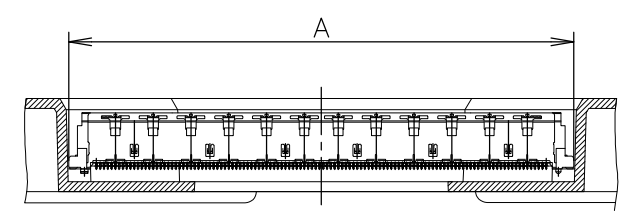
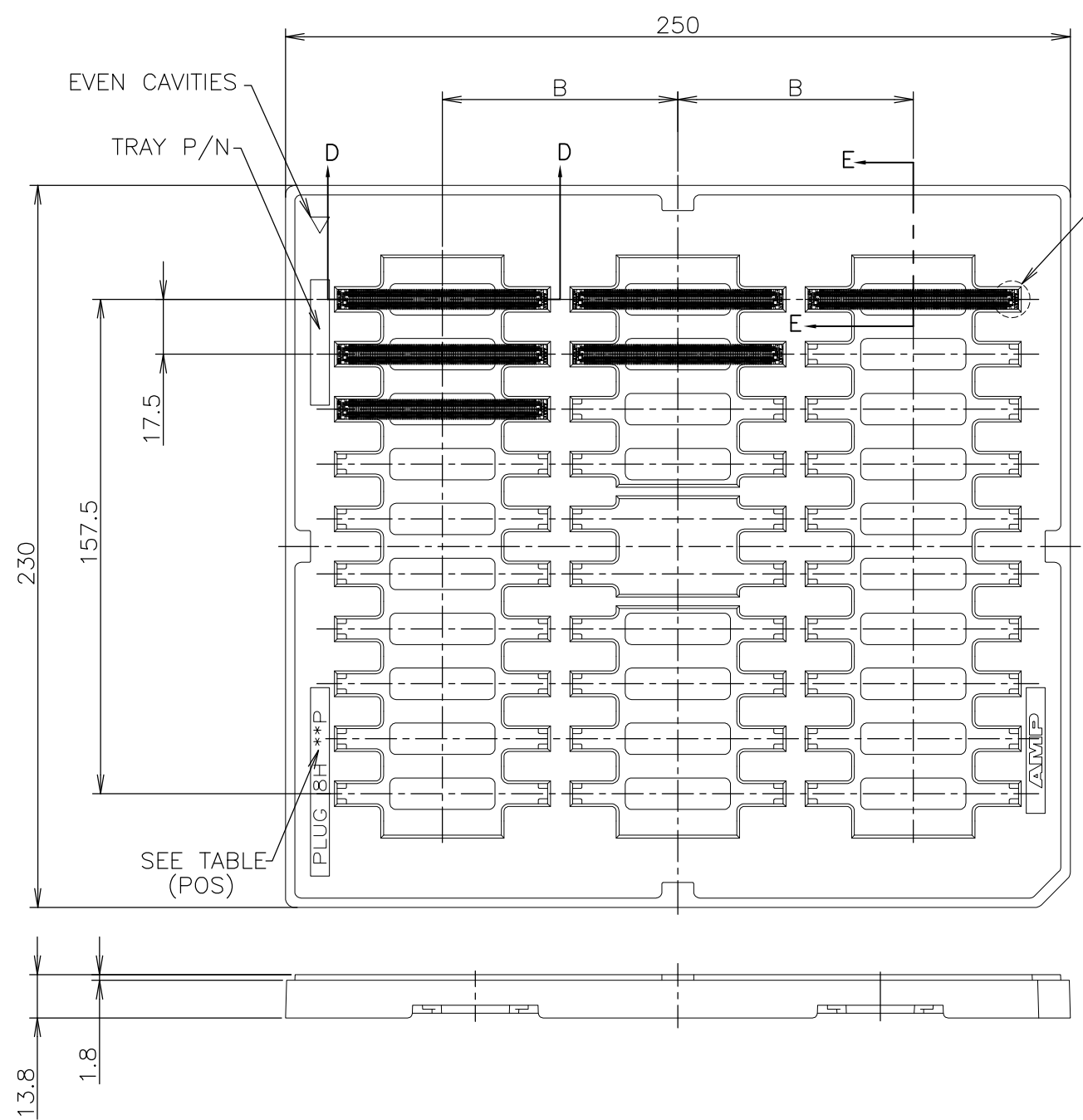
Email & Skype: info@chipsmall.com Web: www.chipsmall.com

Address: A1208, Overseas Decoration Building, #122 Zhenhua RD., Futian, Shenzhen, China

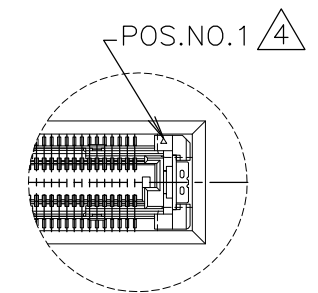


THIS DRAWING IS UNPUBLISHED. RELEASED FOR PUBLICATION - .2006.  
 © COPYRIGHT 2006 By - ALL RIGHTS RESERVED.

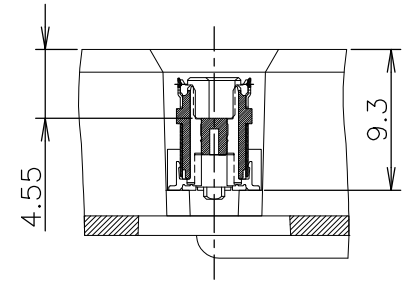
LOC	DIST	REVISIONS				
P	LTR	DESCRIPTION	DATE	DWN	APVD	
J	/					
	D	REVISED PER ECR-13-006361	15APR13	I.T	S.Y	



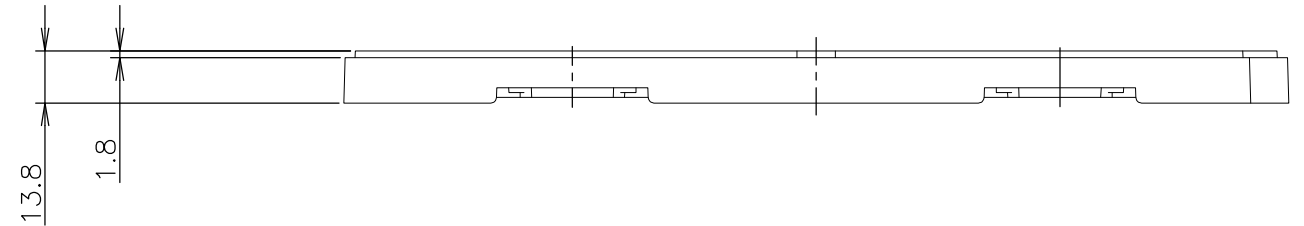
SECT. D-D  
(SCALE 2:1)  
(CONNECTOR NOT SECTION)



DETAIL C  
(SCALE 2:1)



SECT. E-E  
(SCALE 2:1)



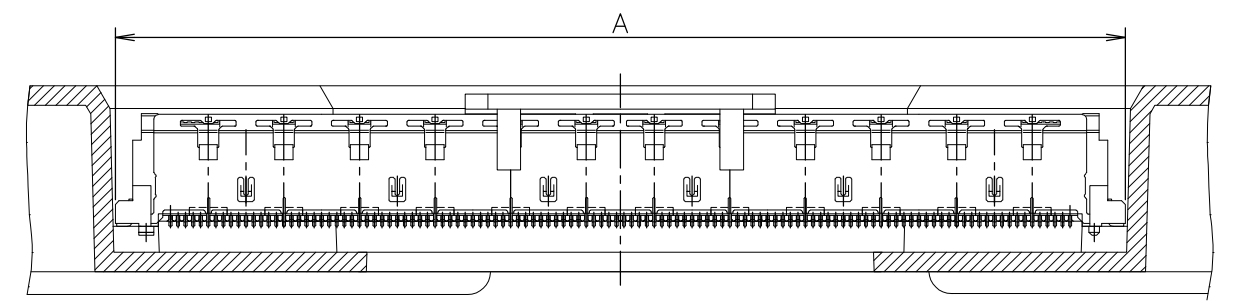
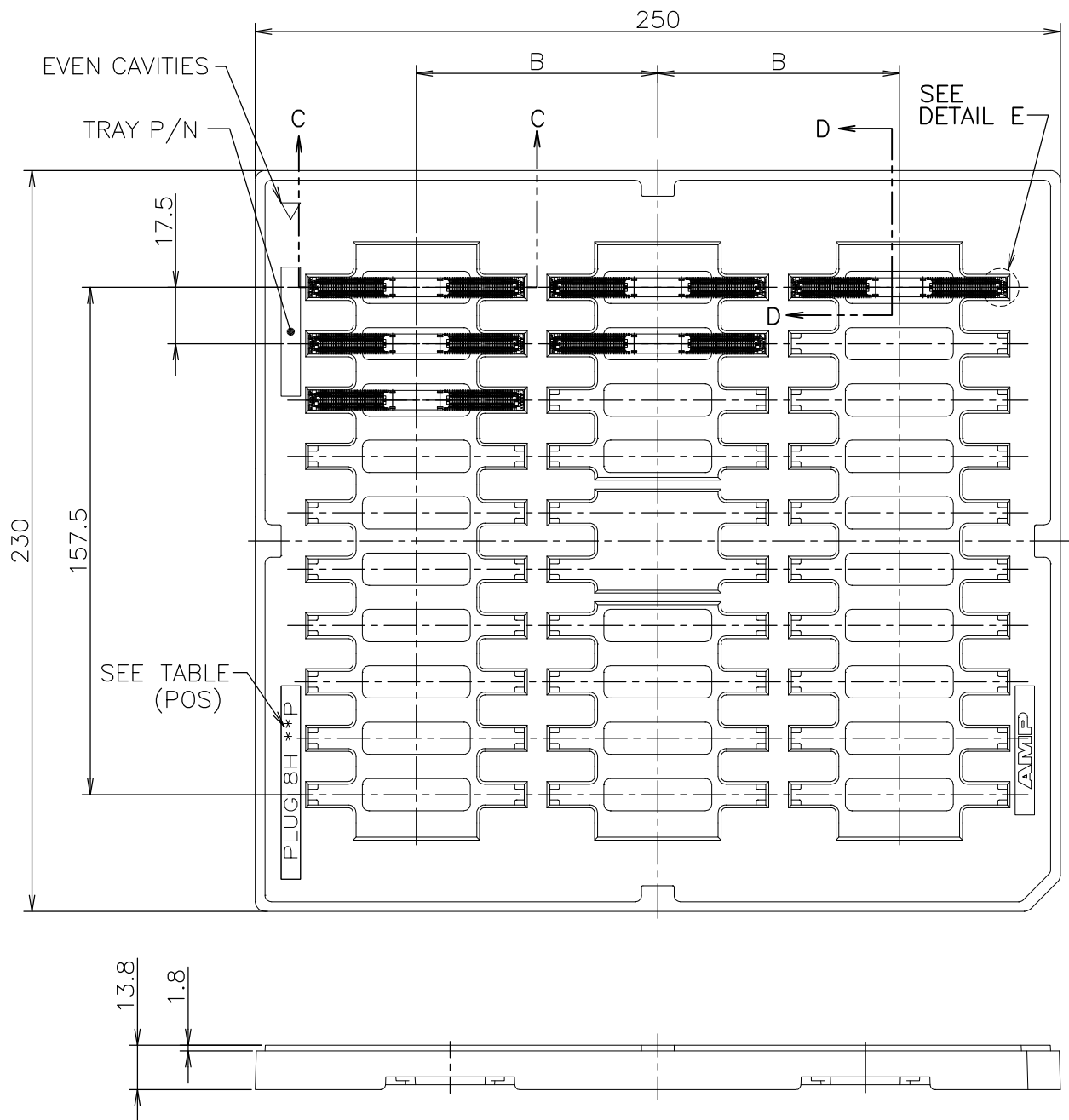
WITHOUT PICK UP CAP

YES/4	WITHOUT	3	30	75	61.8	220	8-1939756-6
NO	WITHOUT	3	30	75	61.8	220	3-1939756-6
SEALANT	CAP	ROW	QTY	B	A	POS.	PART NO.

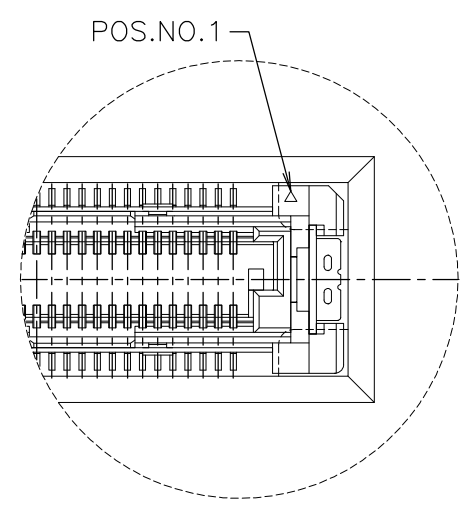
THIS DRAWING IS A CONTROLLED DOCUMENT.		DWN Y.NAKAZAWA 25JUL06	TE Connectivity				
DIMENSIONS: MM		CHK T.KUSUHARA 25JUL06					
TOLERANCES UNLESS OTHERWISE SPECIFIED:		APVD T.KUSUHARA 25JUL06	NAME				
0 PLC ± 0.3		PRODUCT SPEC	HARD TRAY ASSY				
1 PLC ± 0.3		108-5560	FH 0.5BTB CONNECTOR 220POS				
2 PLC ± 0.3		APPLICATION SPEC	PLUG 8H WITH GROUND PLATE				
3 PLC ± 0.3		WEIGHT	SIZE	CAGE CODE	DRAWING NO	RESTRICTED TO	
4 PLC ± 0.3			A3	00779	C-1939756		
ANGLES ± 3'			CUSTOMER DRAWING				
FINISH			SCALE	SHEET	REV		
			1:2	1 OF 4	D		

THIS DRAWING IS UNPUBLISHED. RELEASED FOR PUBLICATION NOV , 1996.  
 © COPYRIGHT 1996 By - ALL RIGHTS RESERVED.

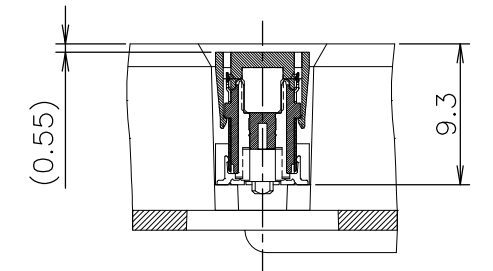
LOC	DIST	REVISIONS			
P	LTR	DESCRIPTION	DATE	DWN	APVD
J	-	SEE SHEET 1	-	-	-



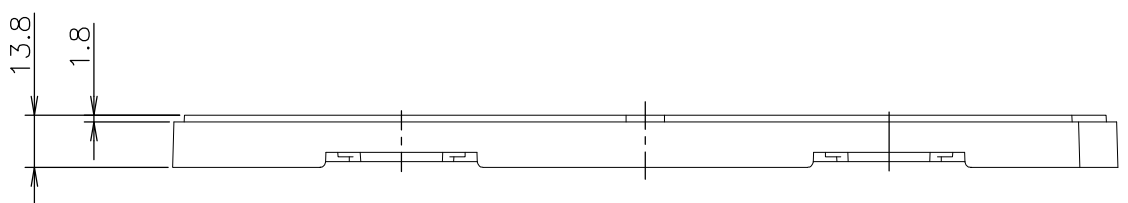
SECT. C-C  
(SCALE 2:1)



DETAIL E  
(SCALE 4:1)



SECT. D-D  
(SCALE 2:1)



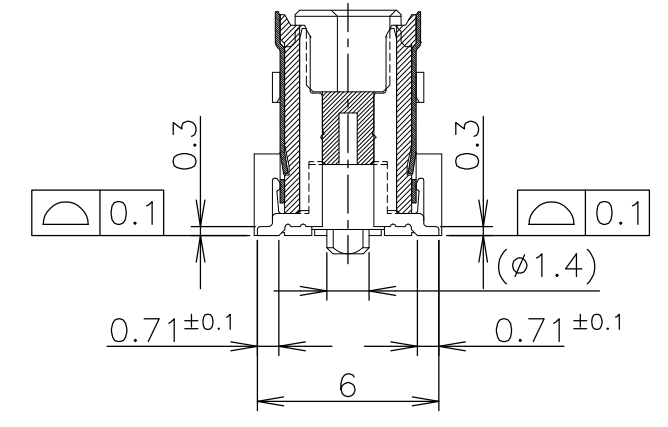
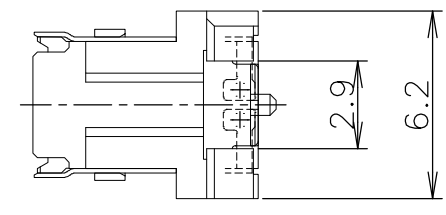
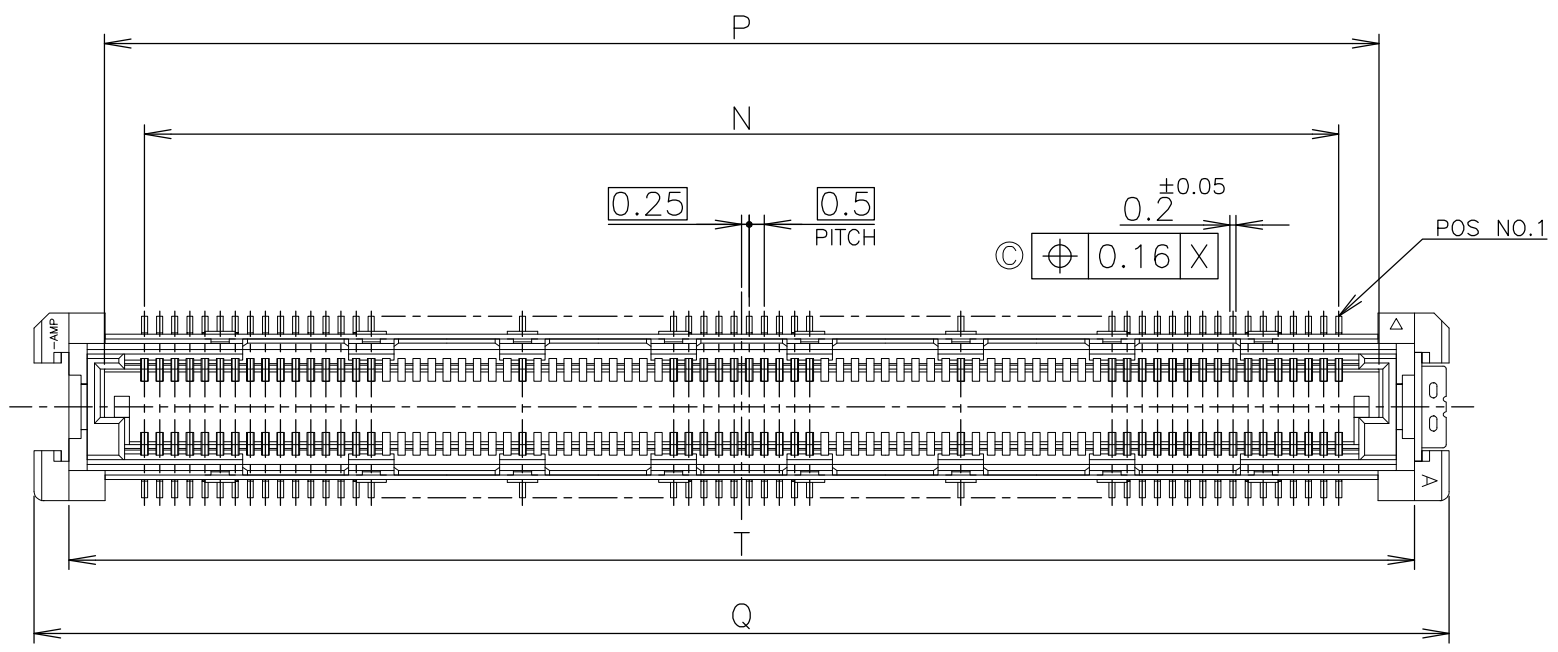
WITH PICK UP CAP

NO	WITH	3	30	75	61.8	220	9-1939756-6
SEALANT	CAP	ROW	QTY	B	A	POS.	PART NO.

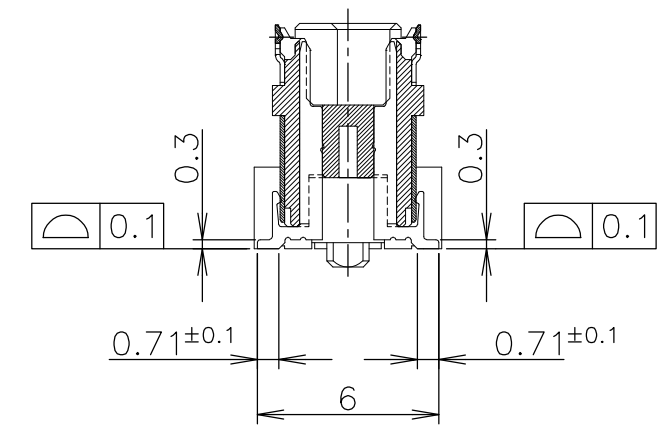
THIS DRAWING IS A CONTROLLED DOCUMENT.		DWN	-	<b>TE Connectivity</b> HARD TRAY ASSY FH 0.5BTB CONNECTOR 220POS PLUG 8H WITH GROUND PLATE			
DIMENSIONS: MM		CHK	-				
TOLERANCES UNLESS OTHERWISE SPECIFIED:		APVD	-				
0 PLC ± 0.3 1 PLC ± 0.3 2 PLC ± 0.3 3 PLC ± 0.3 4 PLC ± 0.3 ANGLES ± 3°		PRODUCT SPEC	-				
MATERIAL		FINISH	-	APPLICATION SPEC	-	SIZE	A3
				WEIGHT	-	CAGE CODE	00779
				CUSTOMER DRAWING		DRAWING NO	C-1939756
						RESTRICTED TO	-
				SCALE	4:1	SHEET	2 OF 4
						REV	D

THIS DRAWING IS UNPUBLISHED. RELEASED FOR PUBLICATION NOV ,1996.  
 © COPYRIGHT 1996 By - ALL RIGHTS RESERVED.

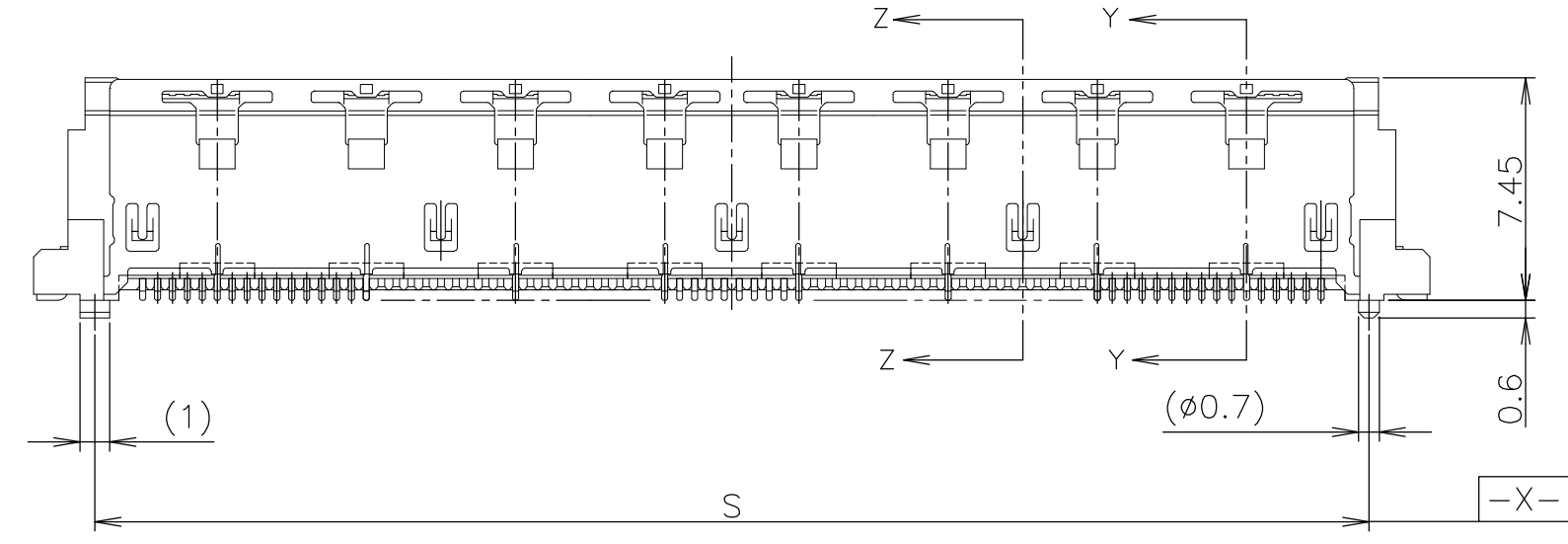
LOC	DIST	REVISIONS			
P	LTR	DESCRIPTION	DATE	DWN	APVD
J	/	SEE SHEET 1	-	-	-



SECT. Z-Z  
(SIGNAL POSITION)



SECT. Y-Y  
(GROUND POSITION)



59.5	57.7	61.8	57.1	54.5	220	BLACK	9-1939756-6
59.5	57.7	61.8	57.1	54.5	220	BLACK	8-1939756-6
59.5	57.7	61.8	57.1	54.5	220	BLACK	3-1939756-6
T	S	Q	P	N	POS.	HSG COLOR	PART NO.

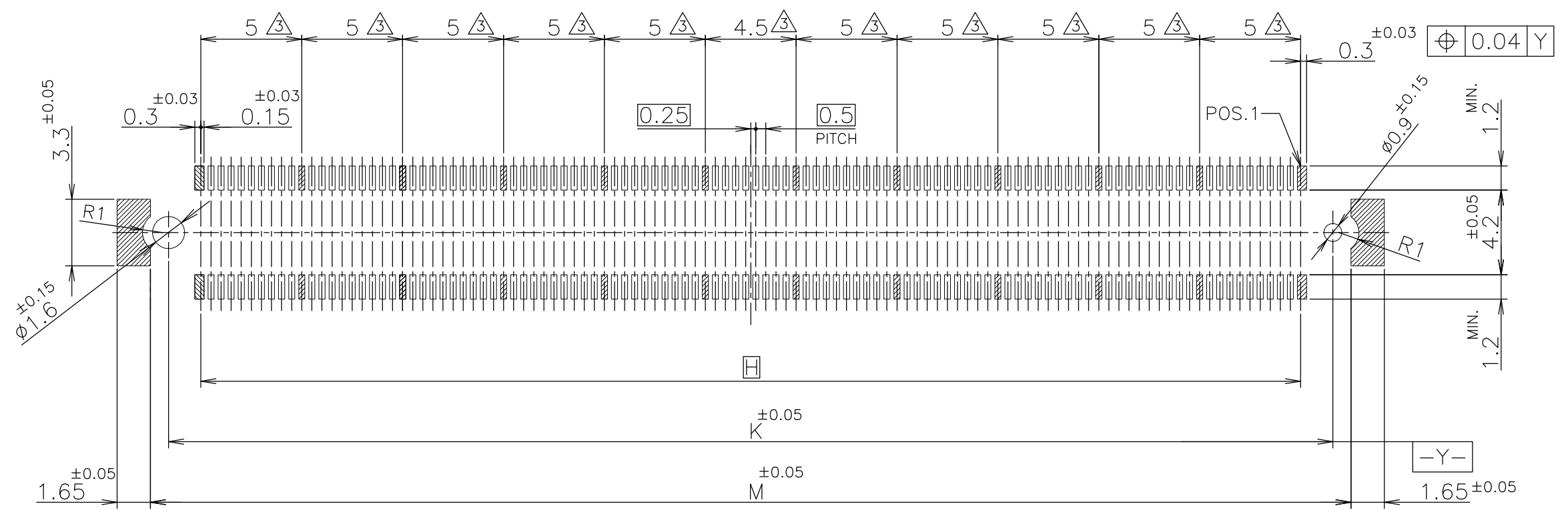
- NOTE:**
- ① MATERIAL ; HOUSING : HIGH TEMP THERMO PLASTIC UL94V-0  
CONTACT : COPPER ALLOY  
SOLDER PEG : COPPER ALLOY
  - ② FINISH ; SIGNAL CONTACT : UNDER PL Ni 0.0013mm MIN ALL OVER.  
CONTACT AREA 0.00076mm MIN Au PL.  
SOLDERING AREA 0.001mm MIN TIN PL.  
GROUND CONTACT : UNDER PL Ni 0.0013mm MIN ALL OVER.  
CONTACT AREA 0.00076mm MIN Au PL.  
SOLDERING AREA 0.001mm MIN TIN PL.  
SOLDER PEG : 0.001mm MIN TIN PL. OVER  
0.0013mm MIN Ni PL ALL OVER.
  - ③ THIS POSITION IS GROUND CIRCUIT.
  - ④ THIS PRODUCT WAS COATED BY FLUX-PENETRATION-INHIAITING AGENT.

THIS DRAWING IS A CONTROLLED DOCUMENT.

DIMENSIONS: MM	TOLERANCES UNLESS OTHERWISE SPECIFIED:	DWN	TE Connectivity		
	0 PLC ± 0.3	CHK	NAME		
	1 PLC ± 0.3	APVD	HARD TRAY ASSY		
	2 PLC ± 0.3	PRODUCT SPEC	FH 0.5BTB CONNECTOR 220POS		
	3 PLC ± 0.3	APPLICATION SPEC	PLUG 8H WITH GROUND PLATE		
	4 PLC ± 0.3	WEIGHT	SIZE	CAGE CODE	DRAWING NO
	ANGLES ± 3°	CUSTOMER DRAWING	A3	00779	C-1939756
MATERIAL	FINISH	RESTRICTED TO	SCALE	SHEET	REV
①	②	-	4:1	3 OF 4	D

THIS DRAWING IS UNPUBLISHED. RELEASED FOR PUBLICATION NOV , 1996.  
 © COPYRIGHT 1996 By - ALL RIGHTS RESERVED.

LOC	DIST	REVISIONS			
P	LTR	DESCRIPTION	DATE	DWN	APVD
J	/	SEE SHEET 1	-	-	-



59.5	57.7	54.5	220	9-1939756-6
59.5	57.7	54.5	220	8-1939756-6
59.5	57.7	54.5	220	3-1939756-6
M	K	H	POS	PART NO.

THIS DRAWING IS A CONTROLLED DOCUMENT.		DWN	TE Connectivity <b>HARD TRAY ASSY</b> FH 0.5BTB CONNECTOR 220POS PLUG 8H WITH GROUND PLATE			
DIMENSIONS: MM		CHK				NAME
		APVD				PRODUCT SPEC
TOLERANCES UNLESS OTHERWISE SPECIFIED: 0 PLC ± 0.3 1 PLC ± 0.3 2 PLC ± 0.3 3 PLC ± 0.3 4 PLC ± 0.3 ANGLES ± 3°		APVD				APPLICATION SPEC
MATERIAL	FINISH	WEIGHT	SIZE	CAGE CODE	DRAWING NO	RESTRICTED TO
1	2		A3	00779	C-1939756	
CUSTOMER DRAWING			SCALE	SHEET	REV	
			4:1	4 OF 4	D	