



Chipsmall Limited consists of a professional team with an average of over 10 year of expertise in the distribution of electronic components. Based in Hongkong, we have already established firm and mutual-benefit business relationships with customers from,Europe,America and south Asia,supplying obsolete and hard-to-find components to meet their specific needs.

With the principle of “Quality Parts,Customers Priority,Honest Operation,and Considerate Service”,our business mainly focus on the distribution of electronic components. Line cards we deal with include Microchip,ALPS,ROHM,Xilinx,Pulse,ON,Everlight and Freescale. Main products comprise IC,Modules,Potentiometer,IC Socket,Relay,Connector.Our parts cover such applications as commercial,industrial, and automotives areas.

We are looking forward to setting up business relationship with you and hope to provide you with the best service and solution. Let us make a better world for our industry!



Contact us

Tel: +86-755-8981 8866 Fax: +86-755-8427 6832

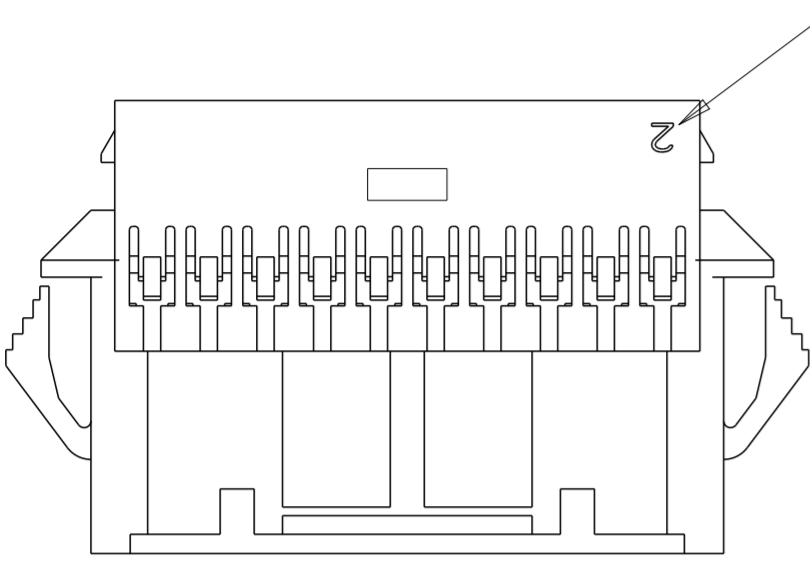
Email & Skype: info@chipsmall.com Web: www.chipsmall.com

Address: A1208, Overseas Decoration Building, #122 Zhenhua RD., Futian, Shenzhen, China

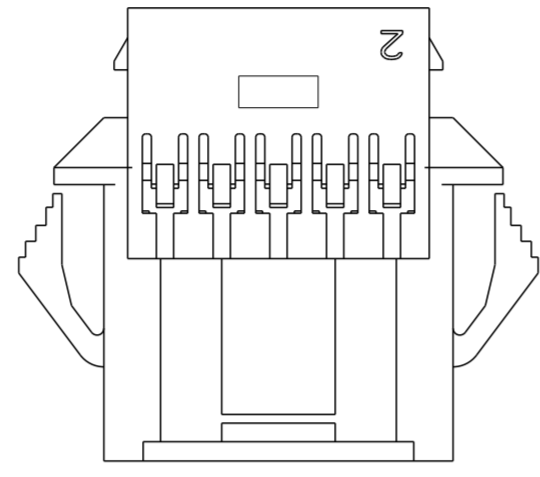


THIS DRAWING IS UNPUBLISHED. RELEASED FOR PUBLICATION 20
 © COPYRIGHT 20 BY - ALL RIGHTS RESERVED.

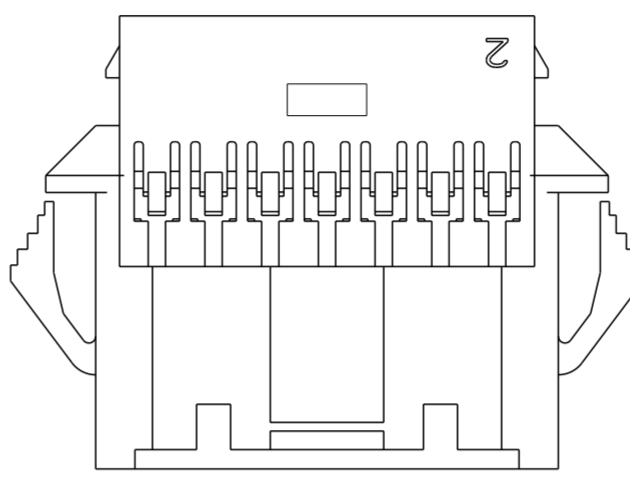
LOC		DIST		REVISIONS			
P	LTR	DESCRIPTION		DATE	DWN	APVD	
	B	REVISED PER ECR-15-006219		30APR2015	NK	JR	



1-1969594-8 THROUGH 4-1969594-0
DOUBLE LATCH

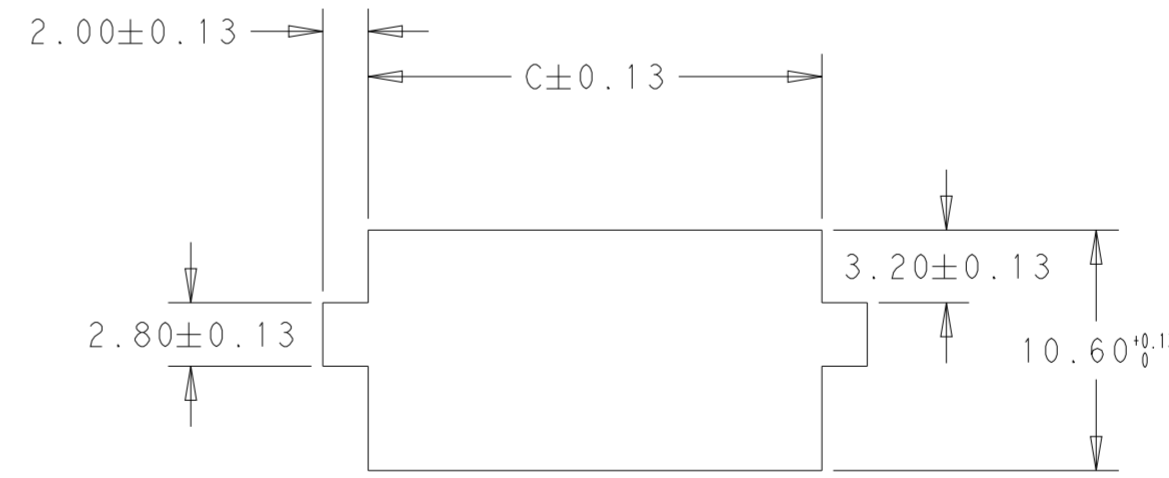
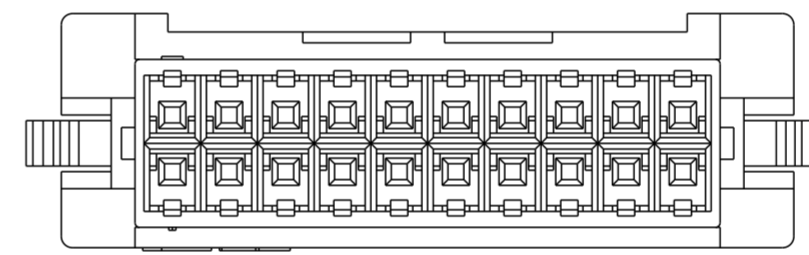
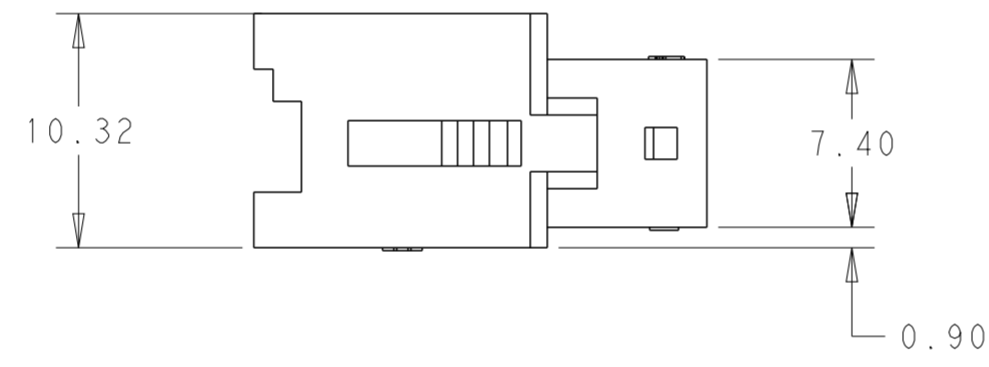
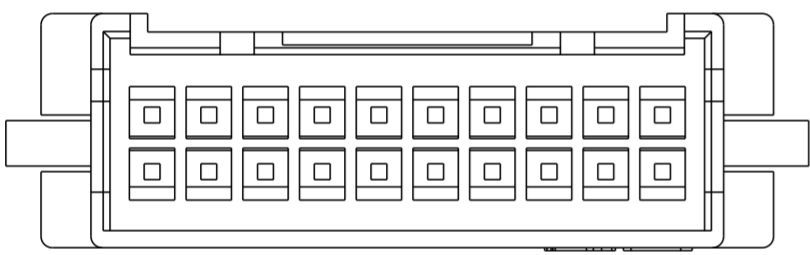


1969594-8 & 1-1969594-0
SINGLE LATCH W/O CUTOUTS

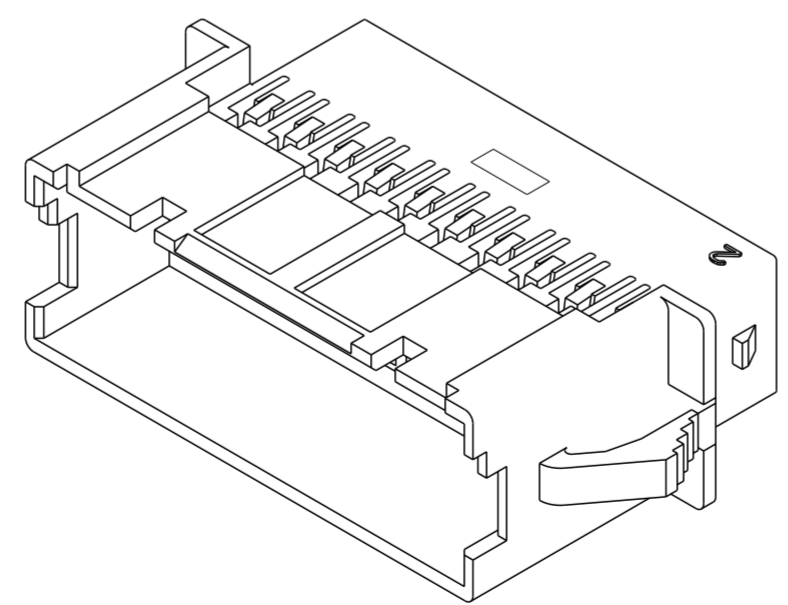
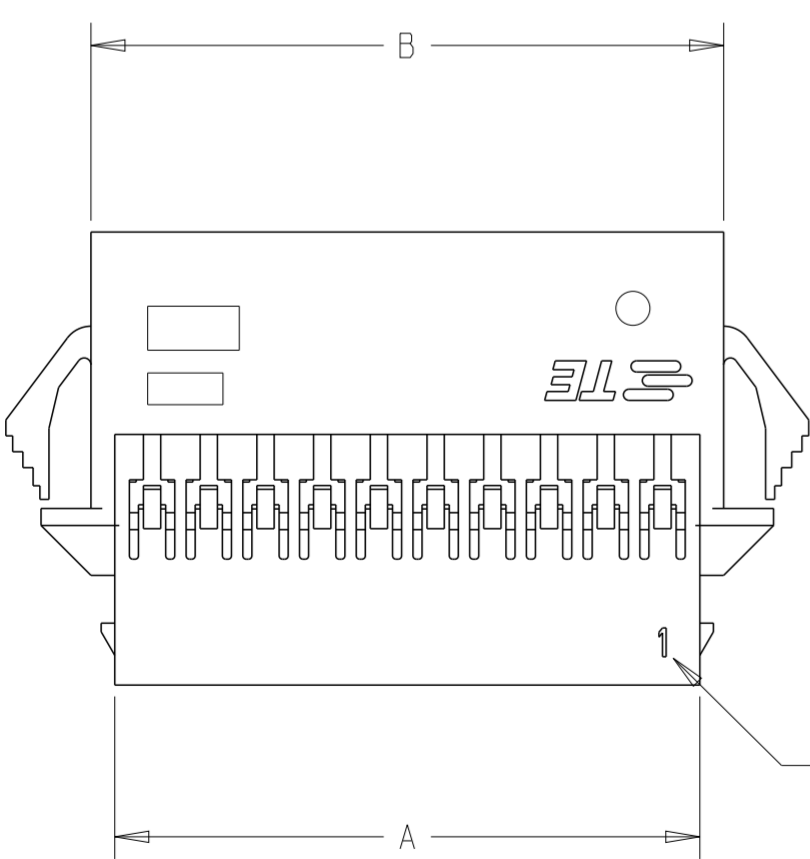


1-1969594-2, 1-1969594-4 & 1-1969594-6
SINGLE LATCH W/ CUTOUTS

1. MATERIAL: NYLON UL94 - V0
COLOR: WHITE
2. ACCEPTS TE PIN CONTACTS
P/N'S 2238007-() & 2238008-()
3. HOUSING ACCEPTS OPTIONAL TPA
P/N'S 1969541-()
4. MATES WITH TE PLUG HOUSINGS
P/N'S 1969540-()



RECOMMENDED PANEL CUTOUT DIMENSIONS



POS	DIM.C	DIM.B	DIM.A	PART NO.
40	54.50	52.89	50.79	4-1969594-0
38	52.00	50.39	48.29	3-1969594-8
36	49.50	47.89	45.79	3-1969594-6
34	47.00	45.39	43.29	3-1969594-4
32	44.50	42.89	40.79	3-1969594-2
30	42.00	40.39	38.29	3-1969594-0
28	39.50	37.89	35.79	2-1969594-8
26	37.00	35.39	33.29	2-1969594-6
24	34.50	32.89	30.79	2-1969594-4
22	32.00	30.39	28.29	2-1969594-2
20	29.50	27.89	25.79	2-1969594-0
18	27.00	25.39	23.29	1-1969594-8
16	24.50	22.89	20.79	1-1969594-6
14	22.00	20.39	18.29	1-1969594-4
12	19.50	17.89	15.79	1-1969594-2
10	17.00	15.39	13.29	1-1969594-0
8	14.50	12.89	10.79	1969594-8

THIS DRAWING IS A CONTROLLED DOCUMENT.

DWN: A NOEL 28SEP2012
 CHK: K RANDOLPH 01OCT2012
 APVD: K RANDOLPH 01OCT2012

TE Connectivity
STE

NAME: EP 2.5 DUAL ROW, RECEPTACLE HSG WIRE TO WIRE, PANEL MOUNT

PRODUCT SPEC: 108-2418
 APPLICATION SPEC: 114-13315

SIZE: A2 CAGE CODE: 00779 DRAWING NO: C-1969594 RESTRICTED TO: -
 SCALE: 3:1 SHEET 1 OF 1 REV B

MATERIAL: SEE NOTES
 DIMENSIONS: mm
 TOLERANCES UNLESS OTHERWISE SPECIFIED:
 0 PLC ±
 1 PLC ±
 2 PLC ±0.20
 3 PLC ±
 4 PLC ±
 ANGLES ±
 FINISH ±

Customer Drawing