



Chipsmall Limited consists of a professional team with an average of over 10 year of expertise in the distribution of electronic components. Based in Hongkong, we have already established firm and mutual-benefit business relationships with customers from,Europe,America and south Asia,supplying obsolete and hard-to-find components to meet their specific needs.

With the principle of “Quality Parts,Customers Priority,Honest Operation,and Considerate Service”,our business mainly focus on the distribution of electronic components. Line cards we deal with include Microchip,ALPS,ROHM,Xilinx,Pulse,ON,Everlight and Freescale. Main products comprise IC,Modules,Potentiometer,IC Socket,Relay,Connector.Our parts cover such applications as commercial,industrial, and automotives areas.

We are looking forward to setting up business relationship with you and hope to provide you with the best service and solution. Let us make a better world for our industry!



Contact us

Tel: +86-755-8981 8866 Fax: +86-755-8427 6832

Email & Skype: info@chipsmall.com Web: www.chipsmall.com

Address: A1208, Overseas Decoration Building, #122 Zhenhua RD., Futian, Shenzhen, China



LOC E	DIST B	REVISIONS		
P	LTR	DESCRIPTION	DATE	DWN
	A	FIRST ISSUE	17OCT07	AM
				APVD FWK

GROMMET STRIP NOTES

1. MATERIAL - TYPE - LOW DENSITY POLYETHENE
COLOUR - NATURAL

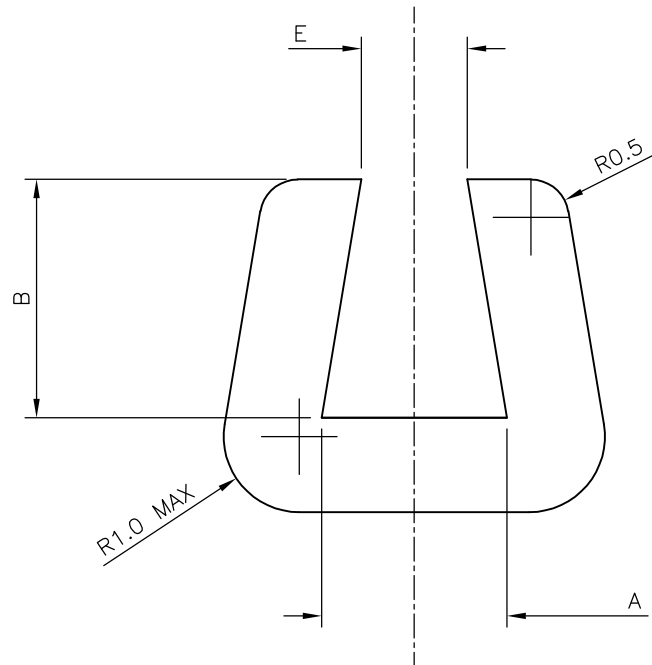
② INDIVIDUAL PACKAGING DETAILS

③ BULK PACKAGING DETAILS

④ NOT RELEASED FOR PRODUCTION

5. FOR TECHNICAL DATA REFER TO YOUR LOCAL TYCO ELECTRONICS SALES OFFICE

6. ALL DIMENSIONS ARE NOMINAL FOR REFERENCE ONLY UNLESS OTHERWISE STATED

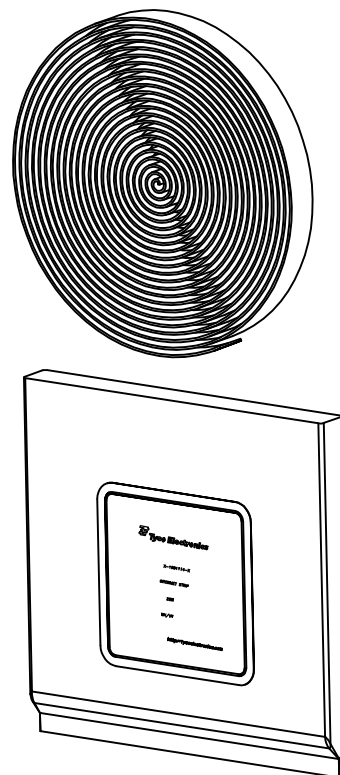


NOTE - MAXIMUM INEQUALITY IN B = 0.25mm

② INDIVIDUAL PACKAGING DETAILS

NOTE

25M COIL PACKAGED IN A 200 GAUGE POLY BAG

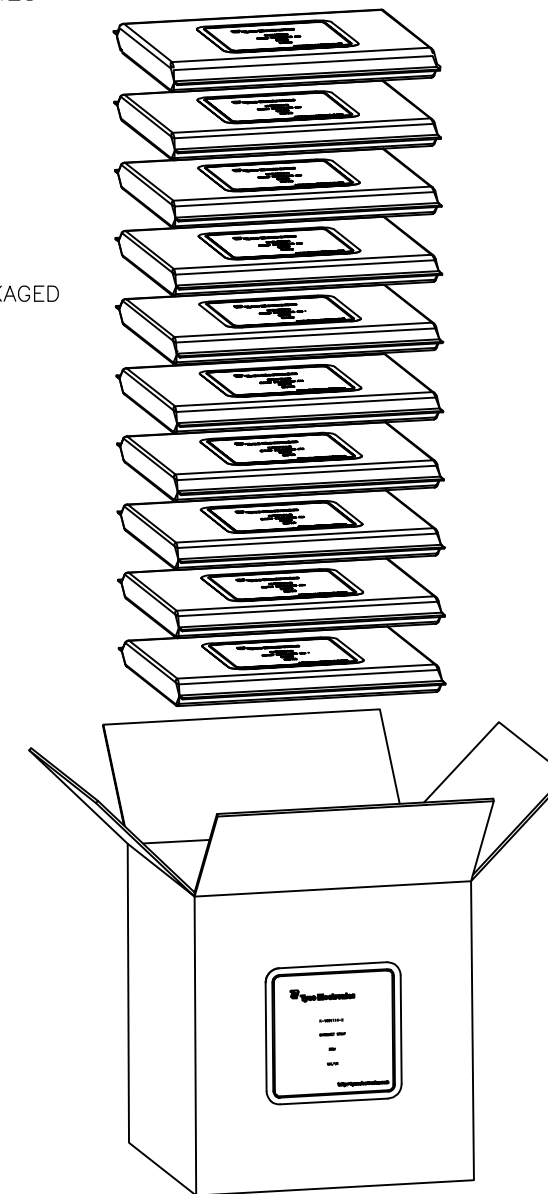


③ BULK PACKAGING DETAILS

NOTE

SIZE 2 IS 20 X 25M COILS PACKAGED
IN A 500mm x 250mm x 200mm BOX

SIZE 3 AND 4 IS 10 X 25M COILS PACKAGED
IN A 500mm x 250mm x 200mm BOX



④	3100g	2.3-2.05	1.4-0.9	1.25-0.75	3.55-2.85	3.6-3.35	④	250m GROMMET STRIP, SIZE 4	-	3-1991136-1
④	2400g	1.4-1.15	1.25-0.75	1.25-0.75	3.15-2.45	2.45-2.05	④	250m GROMMET STRIP, SIZE 3	-	2-1991136-1
④	3600g	1.0-0.8	1.15-0.65	1.15-0.65	2.7-2.0	1.55-1.15	④	500m GROMMET STRIP, SIZE 2	-	1-1991136-1
	310g	2.3-2.05	1.4-0.9	1.25-0.75	3.55-2.85	3.6-3.35	④	25m GROMMET STRIP, SIZE 4	0496	3-1991136-0
	240g	1.4-1.15	1.25-0.75	1.25-0.75	3.15-2.45	2.45-2.05	④	25m GROMMET STRIP, SIZE 3	0495	2-1991136-0
	180g	1.0-0.8	1.15-0.65	1.15-0.65	2.7-2.0	1.55-1.15	④	25m GROMMET STRIP, SIZE 2	0494	1-1991136-0
	WEIGHT/COIL (MEAN)	E	D	C	B	A	PACKAGING OPTION	DESCRIPTION	SPECIAL SALES PART No	PART No.

THIS DRAWING IS A CONTROLLED DOCUMENT.

DIMENSIONS: MM	TOLERANCES UNLESS OTHERWISE SPECIFIED:	DWN A.Morey 17OCT07	Tyco Electronics Tyco Electronics Corporation Bideford, UK, EX39 4HE	
	0 PLC ± - 1 PLC ± - 2 PLC ± - 3 PLC ± - 4 PLC ± - ANGLES ± -	CHK S.Parlow 18OCT07	NAME	
MATERIAL	FINISH	APVD F.Wheeler-King 18OCT07	GROMMET STRIP	
		PRODUCT SPEC	SIZE	CAGE CODE
		APPLICATION SPEC	A3	00779
		WEIGHT	C=1991136	
			DRAWING NO	
			RESTRICTED TO	
		CUSTOMER DRAWING		SCALE 10:1
				SHEET 1 OF 1
				REV A