



Chipsmall Limited consists of a professional team with an average of over 10 year of expertise in the distribution of electronic components. Based in Hongkong, we have already established firm and mutual-benefit business relationships with customers from,Europe,America and south Asia,supplying obsolete and hard-to-find components to meet their specific needs.

With the principle of “Quality Parts,Customers Priority,Honest Operation,and Considerate Service”,our business mainly focus on the distribution of electronic components. Line cards we deal with include Microchip,ALPS,ROHM,Xilinx,Pulse,ON,Everlight and Freescale. Main products comprise IC,Modules,Potentiometer,IC Socket,Relay,Connector.Our parts cover such applications as commercial,industrial, and automotives areas.

We are looking forward to setting up business relationship with you and hope to provide you with the best service and solution. Let us make a better world for our industry!



## Contact us

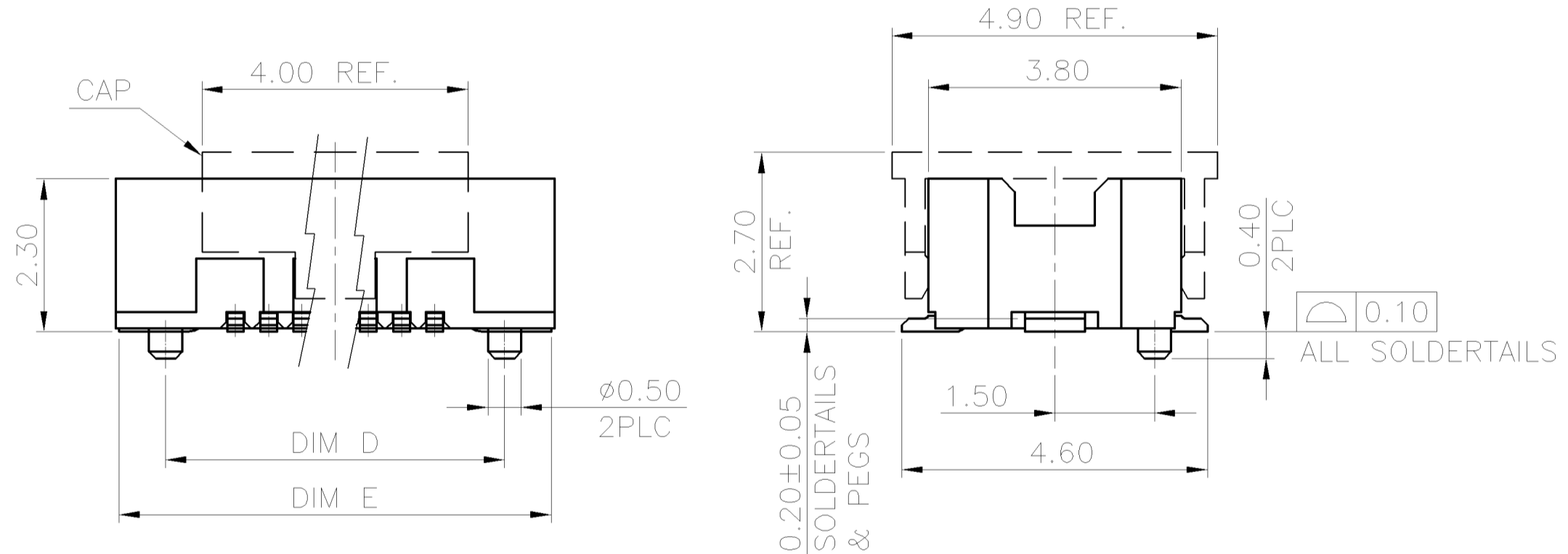
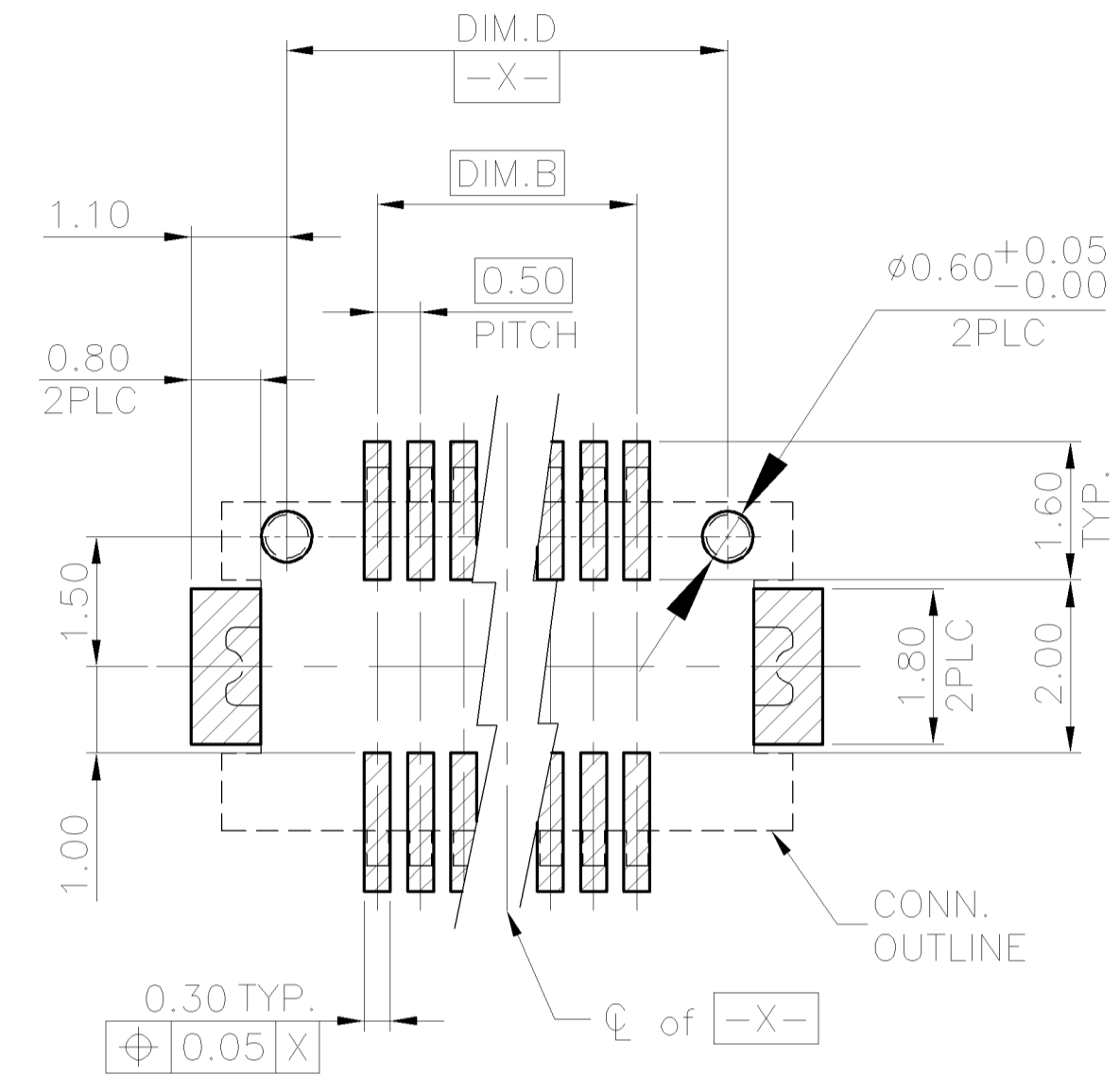
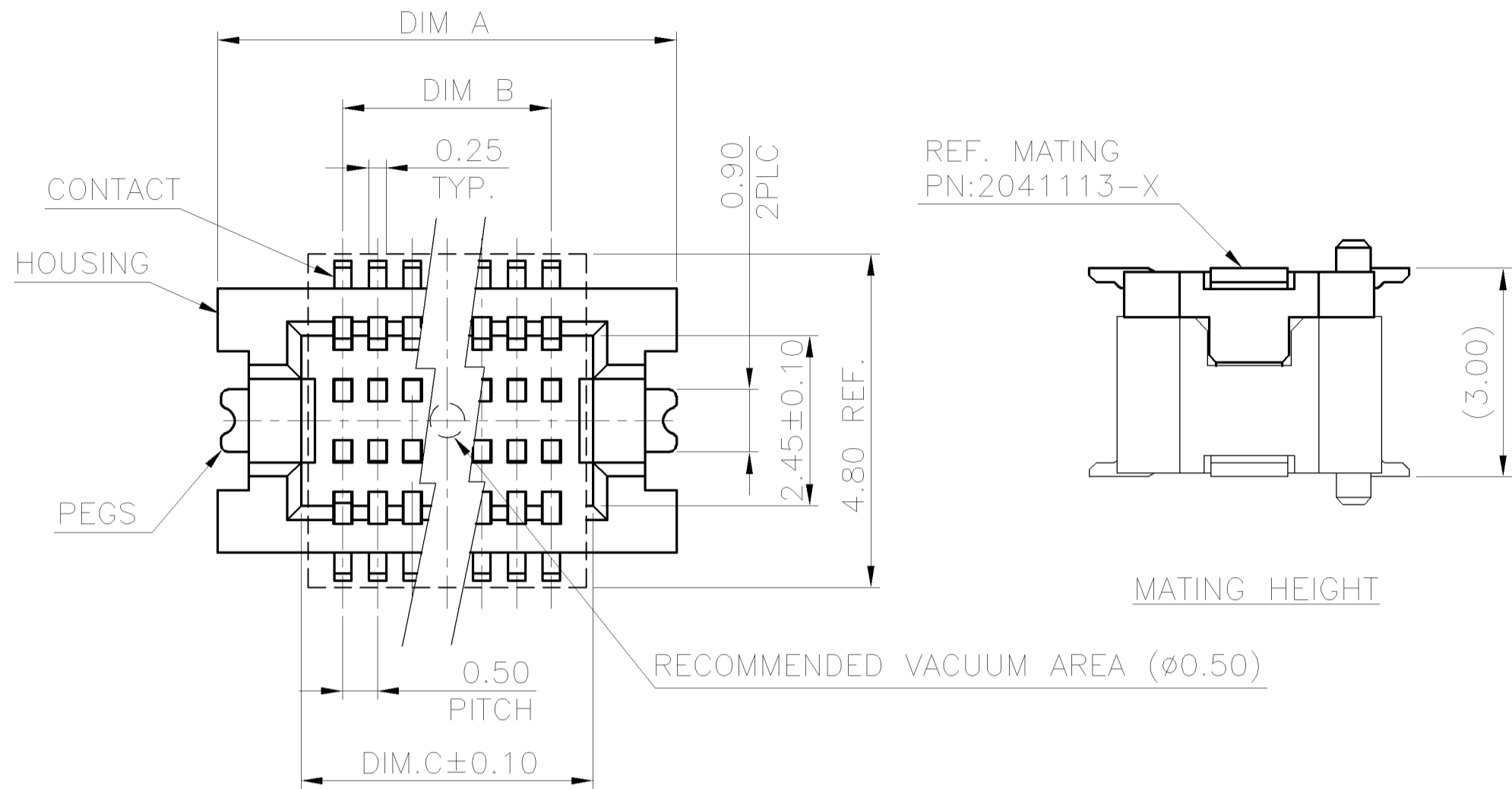
Tel: +86-755-8981 8866 Fax: +86-755-8427 6832

Email & Skype: info@chipsmall.com Web: www.chipsmall.com

Address: A1208, Overseas Decoration Building, #122 Zhenhua RD., Futian, Shenzhen, China



LOC DW	DIST /	REVISIONS		
P	LTR	DESCRIPTION	DATE	DWN
	B2	REVISED. (ECR-10-025679)	15DEC10	JC
				APVD WK



RECOMMENDED PCB LAYOUT (TOP VIEW) TOLERANCE: ±0.05

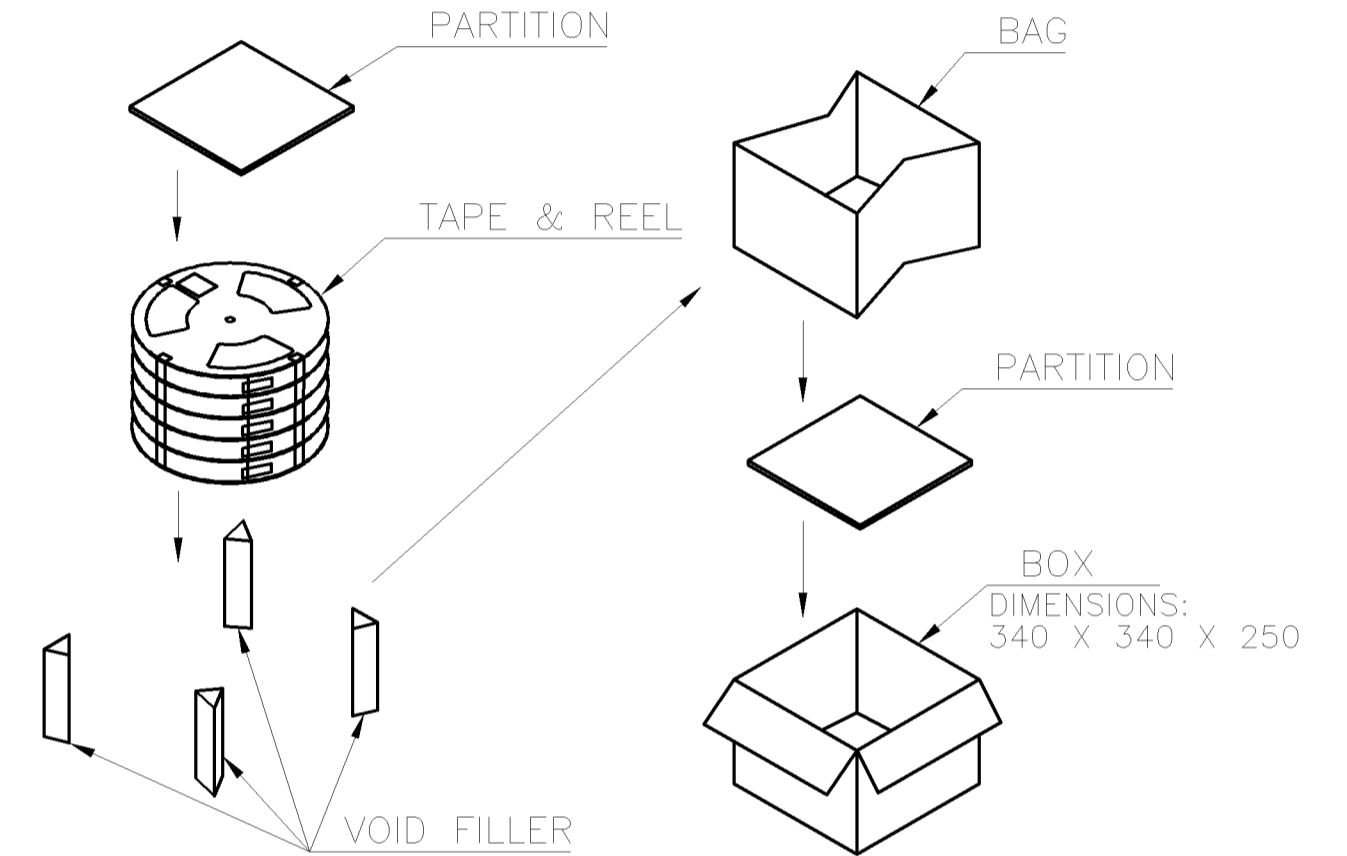
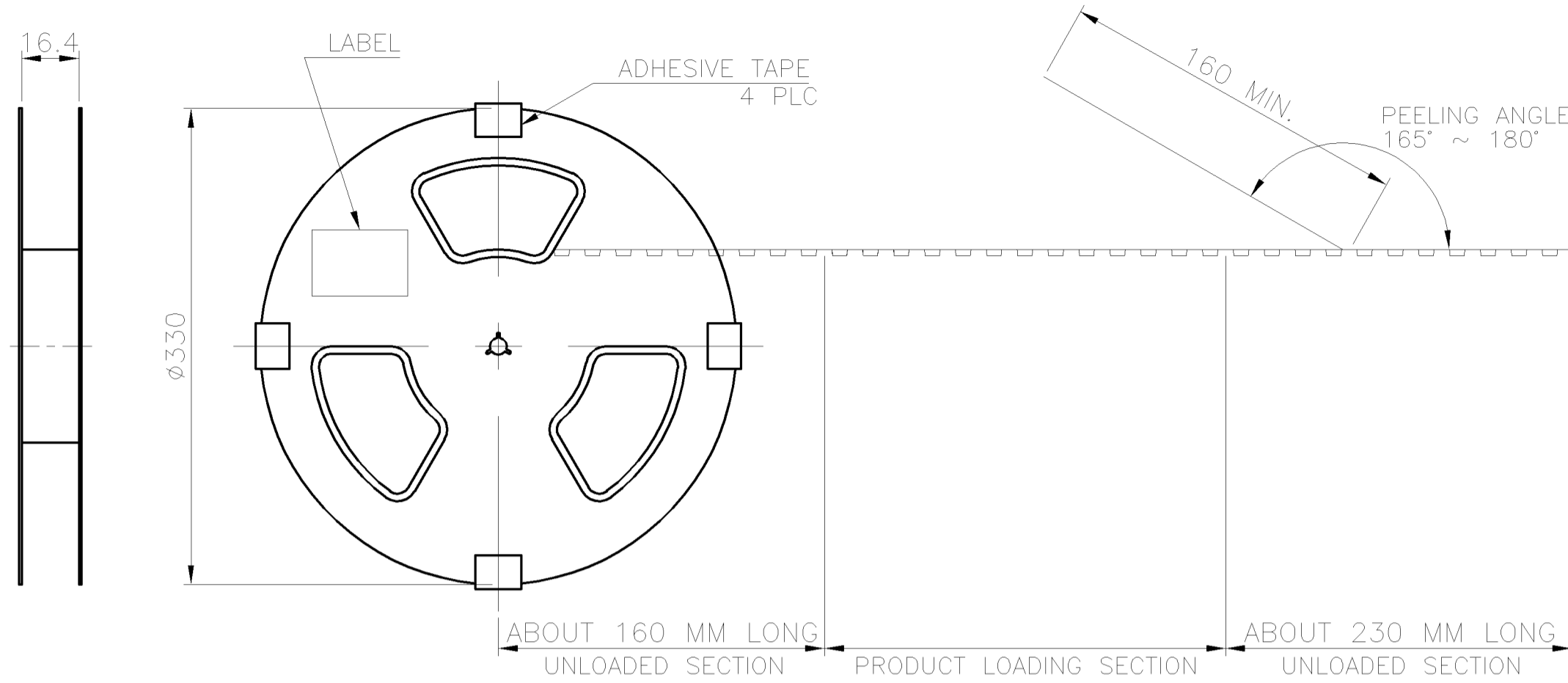
- NOTE:
- MATERIAL:  
HOUSING: LCP WITH 30% GF, UL94V-0, BLACK COLOR.  
CAP: LCP WITH 30% GF, UL94V-0, BLACK COLOR.  
CONTACTS: PHOSPHOR BRONZE.  
PEGS: BRASS.
  - FINISH:  
CONTACTS: GOLD FLASH PLATED OVERALL, WITH ENTIRE CONTACT UNDERPLATED 1.27µm [50µ"] MIN. NICKEL.  
PEGS: 2.54µm [100µ"] MIN. MATTE-TIN OVER 1.27µm [50µ"] MIN. NICKEL ON ENTIRE CONTACT.
  - REFLOW SOLDER CAPABLE TO 260°C PER TE TEST SPEC. 109-201, CONDITION B.
  - NO TE LOGO AND DATE CODE ON THE PRODUCT.

W/O	0.092g	6.50	5.10	4.20	3.00	6.60	14	3-2041112-4	
W/O	0.072g	5.50	4.10	3.20	2.00	5.60	10	3-2041112-0	
W/	0.120g	6.50	5.10	4.20	3.00	6.60	14	1-2041112-4	
W/	0.098g	5.50	4.10	3.20	2.00	5.60	10	1-2041112-0	
CAP	WEIGHT	DIMENSIONS					NO. OF CONTACTS	PART NUMBER	

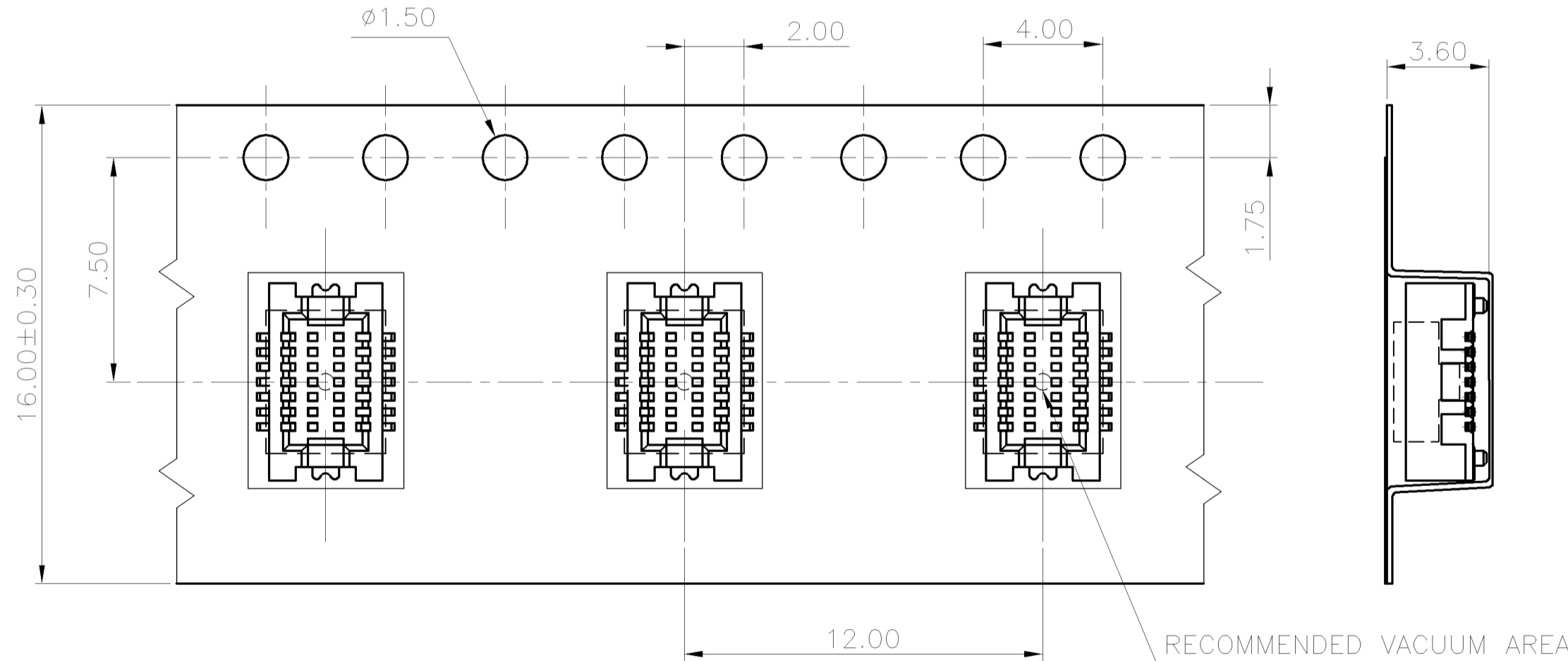
THIS DRAWING IS A CONTROLLED DOCUMENT.		DWN F. YANG 06MAY2009	Tyco Electronics Corporation Taipei, Taiwan												
DIMENSIONS: MM		CHK S. CHIEN 06MAY2009													
TOLERANCES UNLESS OTHERWISE SPECIFIED:		APVD W. KODAMA 06MAY2009	NAME												
<table border="1"> <tr><td>0 PLC</td><td>± -</td></tr> <tr><td>1 PLC</td><td>± 0.3</td></tr> <tr><td>2 PLC</td><td>± 0.2</td></tr> <tr><td>3 PLC</td><td>± -</td></tr> <tr><td>4 PLC</td><td>± -</td></tr> <tr><td>ANGLES</td><td>± 3°</td></tr> </table>		0 PLC	± -	1 PLC	± 0.3	2 PLC	± 0.2	3 PLC	± -	4 PLC	± -	ANGLES	± 3°	PRODUCT SPEC 108-57756	
0 PLC	± -														
1 PLC	± 0.3														
2 PLC	± 0.2														
3 PLC	± -														
4 PLC	± -														
ANGLES	± 3°														
MATERIAL SEE NOTE		QUALIFICATION TEST REPORT 501-57968													
FINISH SEE NOTE		WEIGHT SEE TABLE													
		CUSTOMER DRAWING													
		SIZE A3	CAGE CODE 00779	DRAWING NO C=2041112											
		RESTRICTED TO													
		SCALE -	SHEET 1 OF 2	REV B2											

THIS DRAWING IS UNPUBLISHED. RELEASED FOR PUBLICATION AUG, 2006.  
 © COPYRIGHT - BY TYCO ELECTRONICS CORPORATION. ALL RIGHTS RESERVED.

LOC DW	DIST	REVISIONS		
P	LTR	DESCRIPTION	DATE	DWN APVD
		SEE SHEET 1		



NOTE:  
 1. PEELING RESISTANCE: 10gf~130gf.  
 2. PEELING SPEED: 300 mm/MINUTE.



1000	10	10000	7.19	0.93	3-2041112-4
			6.68	0.71	3-2041112-0
			8.20	1.20	1-2041112-4
			7.69	0.98	1-2041112-0
PCS/REEL	REELS/BOX	QUANTITY (PCS)	G/W (Kg)	N/W (Kg)	PART NUMBER

THIS DRAWING IS A CONTROLLED DOCUMENT.		DWN	Tyco Electronics Corporation Taipei, Taiwan		
DIMENSIONS: MM		CHK			
TOLERANCES UNLESS OTHERWISE SPECIFIED: 0 PLC ± - 1 PLC ± - 2 PLC ± - 3 PLC ± - 4 PLC ± - ANGLES ± -		APVD	NAME		
MATERIAL		PRODUCT SPEC	BTB CONNECTOR, PLUG, P=0.5 mm, DUAL ROW, SMT TYPE		
FINISH		QUALIFICATION TEST REPORT	SIZE	CAGE CODE	DRAWING NO
		WEIGHT	A3	00779	C=2041112
		CUSTOMER DRAWING	RESTRICTED TO	SCALE	SHEET 2 OF 2
					REV B2