



Chipsmall Limited consists of a professional team with an average of over 10 year of expertise in the distribution of electronic components. Based in Hongkong, we have already established firm and mutual-benefit business relationships with customers from,Europe,America and south Asia,supplying obsolete and hard-to-find components to meet their specific needs.

With the principle of “Quality Parts,Customers Priority,Honest Operation,and Considerate Service”,our business mainly focus on the distribution of electronic components. Line cards we deal with include Microchip,ALPS,ROHM,Xilinx,Pulse,ON,Everlight and Freescale. Main products comprise IC,Modules,Potentiometer,IC Socket,Relay,Connector.Our parts cover such applications as commercial,industrial, and automotives areas.

We are looking forward to setting up business relationship with you and hope to provide you with the best service and solution. Let us make a better world for our industry!



Contact us

Tel: +86-755-8981 8866 Fax: +86-755-8427 6832

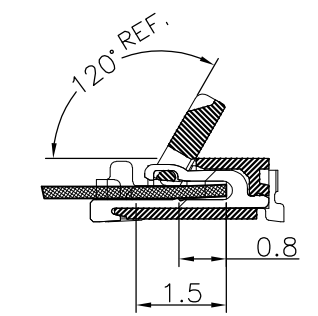
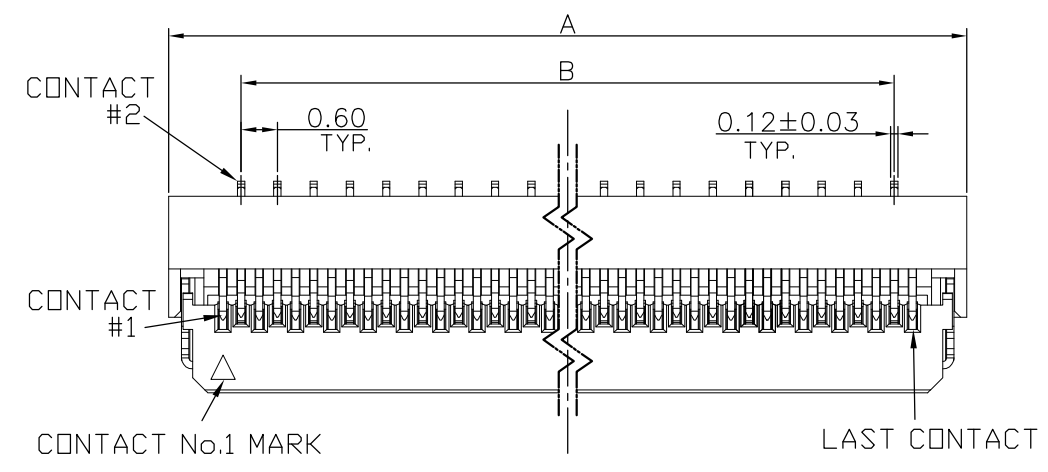
Email & Skype: info@chipsmall.com Web: www.chipsmall.com

Address: A1208, Overseas Decoration Building, #122 Zhenhua RD., Futian, Shenzhen, China

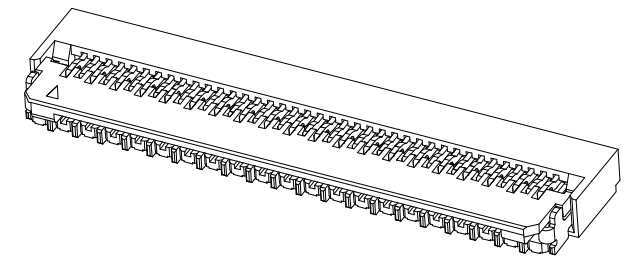
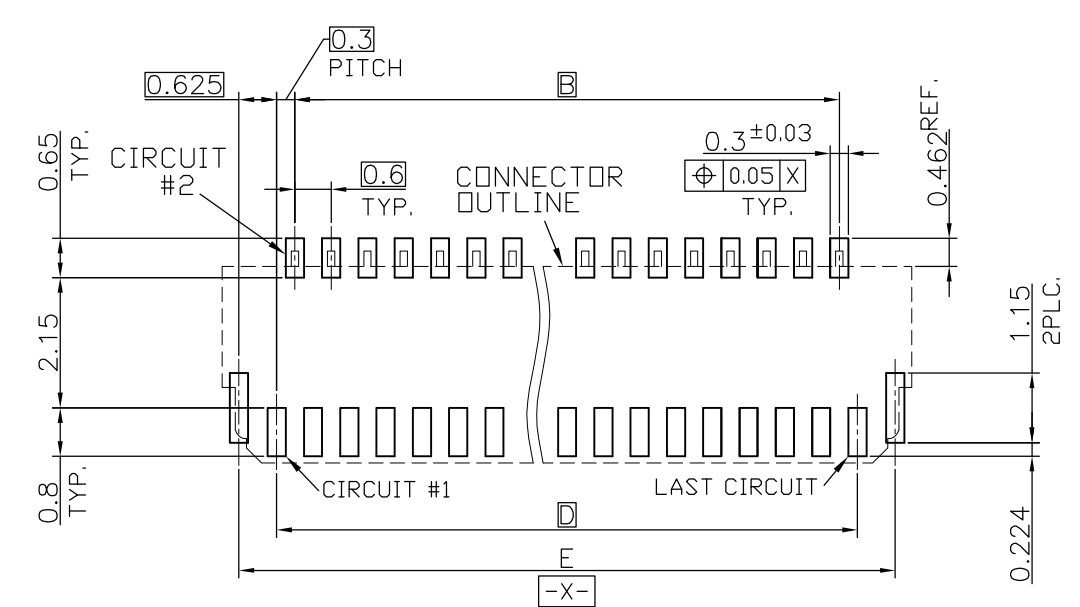
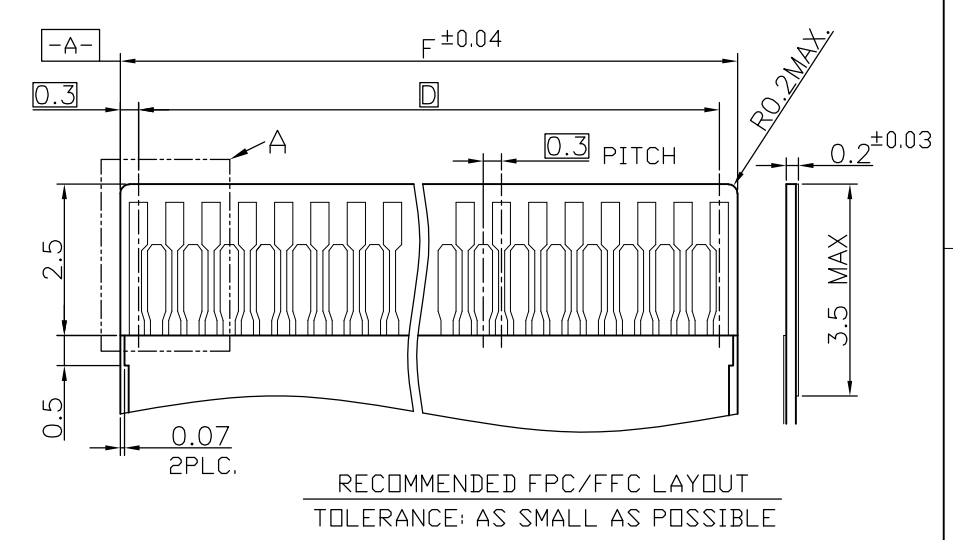
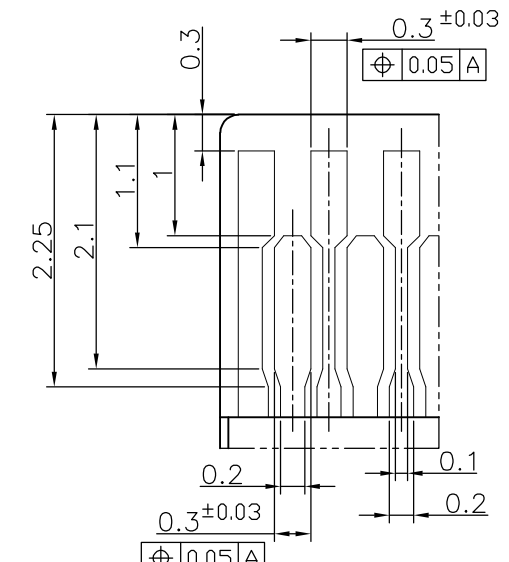
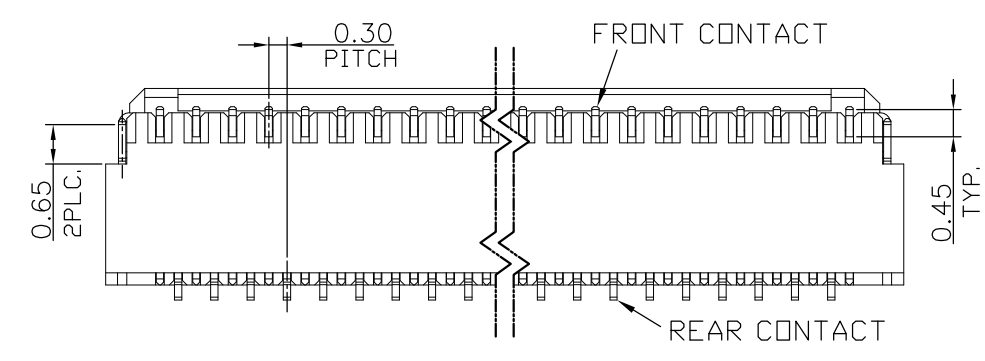
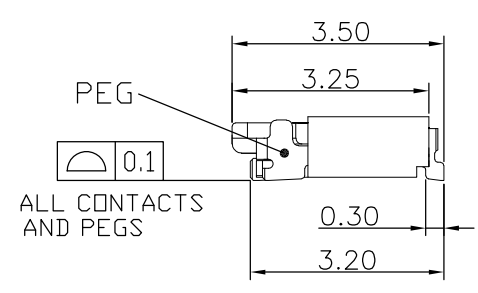
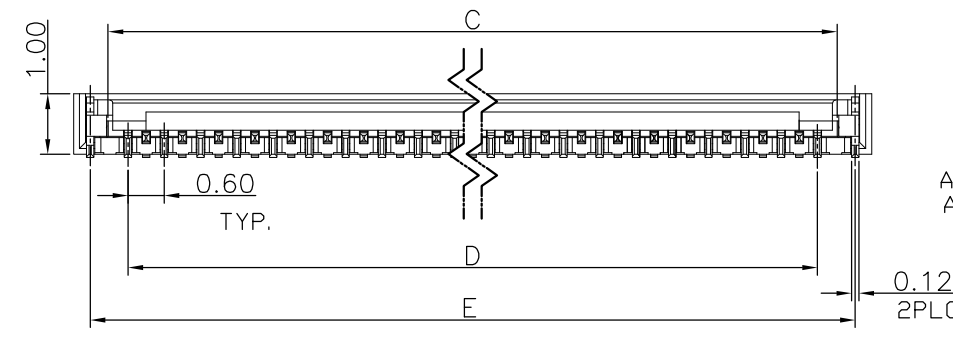


THIS DRAWING IS UNPUBLISHED. RELEASED FOR PUBLICATION
 © COPYRIGHT - Tyco Electronics Japan G.K. ALL RIGHTS RESERVED.

REVISIONS					
P	LTR	DESCRIPTION	DATE	DWN	APVD
	C2	REVISED(ECR-16-005759)	11JUL2016	H.F	A.K



- 1 MATERIAL : HOUSING : LCP, UL94V-0, BLACK
 ACTUATOR : LCP, UL94V-0, NATURAL
 CONTACT&PEG : PHOSPHOR BRONZE
- 2 FINISH : CONTACT : GOLD FLASH PLATED ON CONTACT AREA AND SOLDER TAIL, WITH ENTIRE CONTACT UNDER PLATED 1.27 μm[50 μ"]MIN. NICKEL.
 PEG : GOLD FLASH PLATED OVER 1.27 μm[50 μ"]MIN. NICKEL.
- 3 REFLOW SOLDER CAPABLE TO 260°C PER TEC-109-201, CONDITION B.
- 4 SUBSTANCE RESTRICTIONS FOR LOW HALOGEN (BY WEIGHT)
 - BROMINE(Br) ≤ 900ppm(0.09%)
 - CHLORINE(Cl) ≤ 900ppm(0.09%)
 - TOTAL CONCENTRATION OF Cl+Br ≤ 1500ppm(0.15%)



	F	E	D	C	B	A	No. OF CONTACTS	PART NUMBER
①	21.60	22.25	21.00	21.65	20.40	22.80	71	7-2041390-1
②	15.60	16.25	15.00	15.65	14.40	16.80	51	5-2041390-1
	13.80	14.45	13.20	13.85	12.60	15.00	45	4-2041390-5
	12.00	12.65	11.40	12.05	10.80	13.20	39	3-2041390-9
	DIMENSIONS							

THIS DRAWING IS A CONTROLLED DOCUMENT.		DWN A.WU 15JUN2011	TE Connectivity			
DIMENSIONS: mm		CHK S.CHEN 15JUN2011				
TOLERANCES UNLESS OTHERWISE SPECIFIED:		APVD W.KODAMA 15JUN2011	NAME			
0 PLC ± -		PRODUCT SPEC 108-57877	FPC CONNECTOR, 0.3 PITCH			
1 PLC ± 0.3		APPLICATION SPEC	ZIF, BOTTOM CONTACT			
2 PLC ± 0.2		WEIGHT 0	SIZE A3	CAGE CODE 00779	DRAWING NO C-2041390	RESTRICTED TO
3 PLC ± 0.15			CUSTOMER DRAWING			SCALE NTS
4 PLC ± -						SHEET 1 OF 2
ANGLES ± -						REV C2
FINISH SEE NOTE						

THIS DRAWING IS UNPUBLISHED.

RELEASED FOR PUBLICATION

© COPYRIGHT - Tyco Electronics Japan G.K.

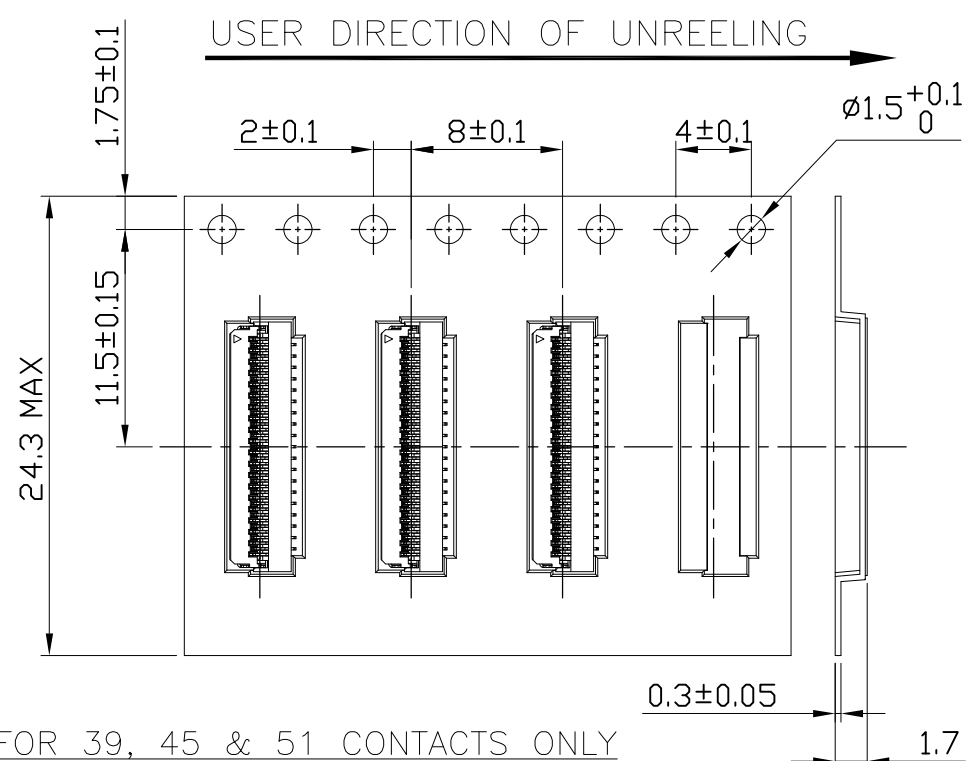
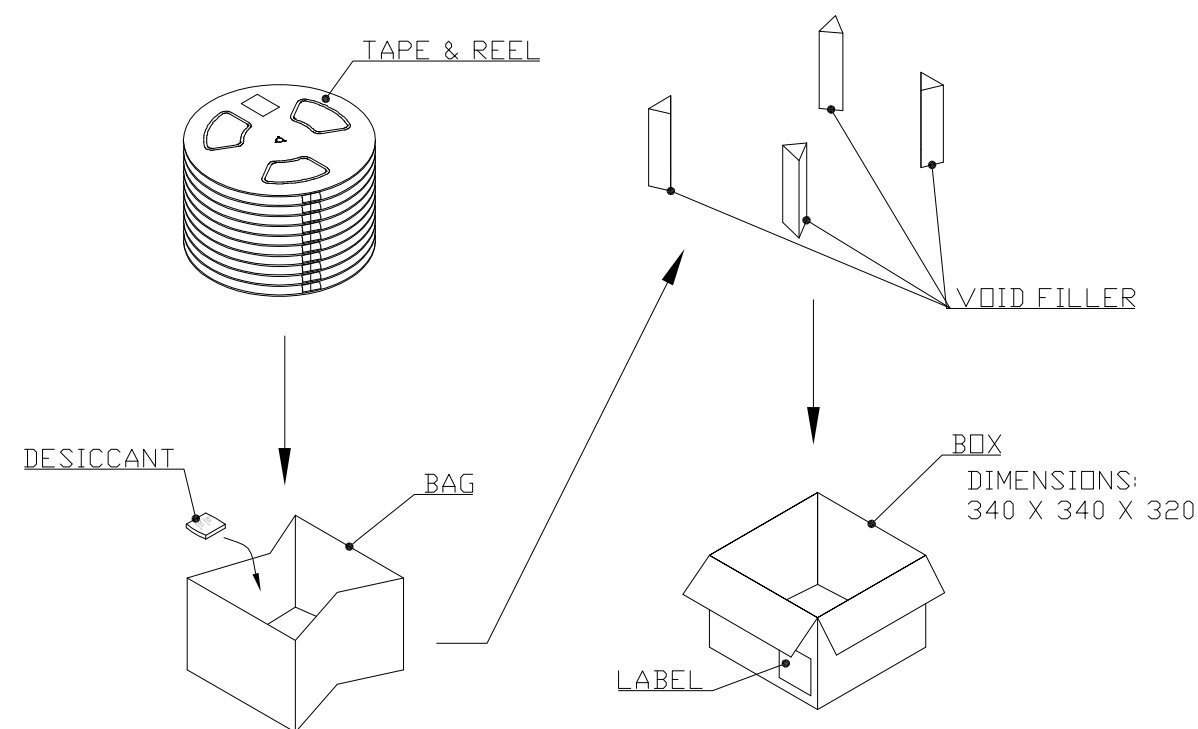
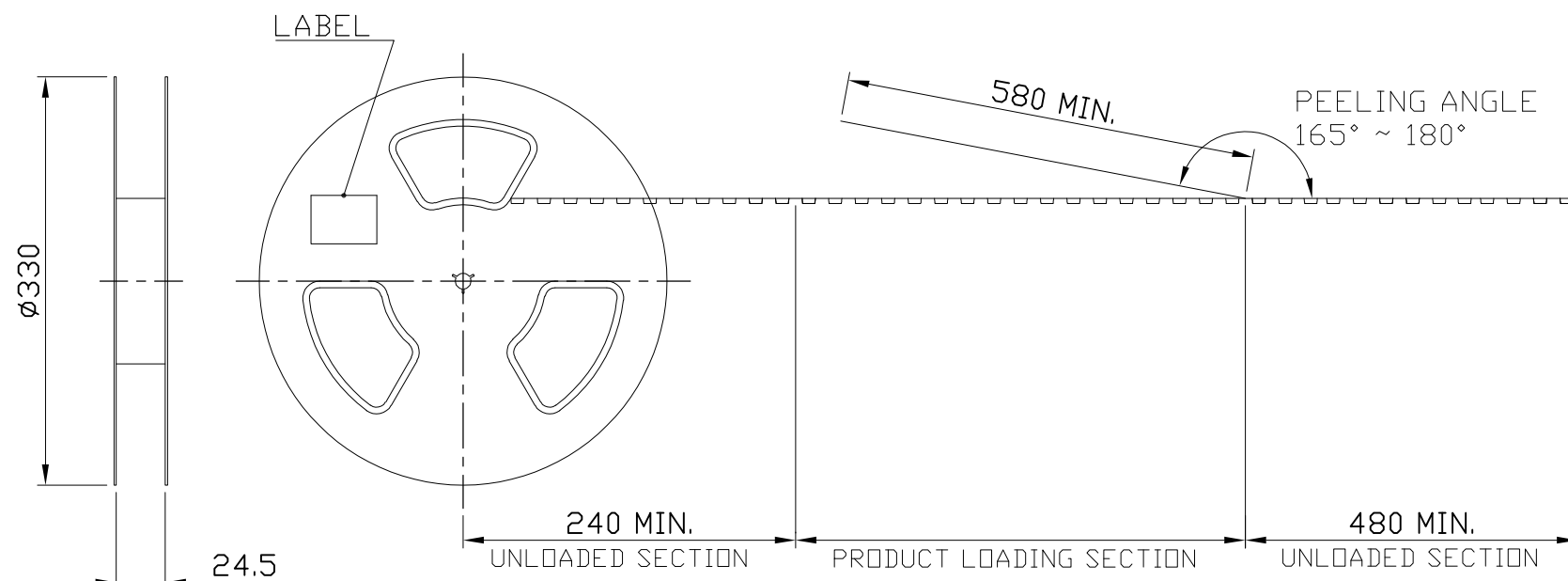
ALL RIGHTS RESERVED.

REVISIONS

P	LTR	DESCRIPTION	DATE	DWN	APVD
-	-	SEE SHEET 1	-	-	-

NOTES:

- MATERIAL:
BOX: FIBREBOARD, CORRUGATED, DOUBLE WALL.
COVER TAPE: PET, 120°C, TRANSPARENT.
CARRIER TAPE: POLYSTYRENES, TRANSPARENT.
REEL: HIPS, BLUE COLOR.
BAG: POLYETHYLENES, TRANSPARENT.
- EACH BAG SHALL BE INCLUDED DESICCANT.
- PEELING STRENGTH: 0.1 ~ 1.3 N (10 ~ 130 GRAMS).
- PEELING SPEED: 300 mm/min.



FOR 39, 45 & 51 CONTACTS ONLY

①	27000	6	4500	4.56	9.56	71
②	45000	10	4500	4.41	9.41	51
	45000	10	4500	3.96	8.96	45
	45000	10	4500	3.42	8.42	39
	PCS /BOX	REELS /BOX	PCS /TAPE	N/W (kg)	G/W (kg)	No. OF CONTACT

THIS DRAWING IS A CONTROLLED DOCUMENT.		DWN	-			
DIMENSIONS: mm		CHK	-			
TOLERANCES UNLESS OTHERWISE SPECIFIED:		APVD	-			
0 PLC ± -		PRODUCT SPEC	-			
1 PLC ± -		APPLICATION SPEC	-			
2 PLC ± -		WEIGHT	-			
3 PLC ± -		TE Connectivity				
4 PLC ± -		FPC CONNECTOR, 0.3 PITCH				
ANGLES ± -		ZIF, BOTTOM CONTACT				
FINISH		SIZE	CAGE CODE	DRAWING NO	RESTRICTED TO	
-		A3	00779	C-2041390	-	
-		CUSTOMER DRAWING		SCALE	SHEET	REV
-		-		NTS	2 OF 2	C2