



Chipsmall Limited consists of a professional team with an average of over 10 year of expertise in the distribution of electronic components. Based in Hongkong, we have already established firm and mutual-benefit business relationships with customers from,Europe,America and south Asia,supplying obsolete and hard-to-find components to meet their specific needs.

With the principle of “Quality Parts,Customers Priority,Honest Operation,and Considerate Service”,our business mainly focus on the distribution of electronic components. Line cards we deal with include Microchip,ALPS,ROHM,Xilinx,Pulse,ON,Everlight and Freescale. Main products comprise IC,Modules,Potentiometer,IC Socket,Relay,Connector.Our parts cover such applications as commercial,industrial, and automotives areas.

We are looking forward to setting up business relationship with you and hope to provide you with the best service and solution. Let us make a better world for our industry!



Contact us

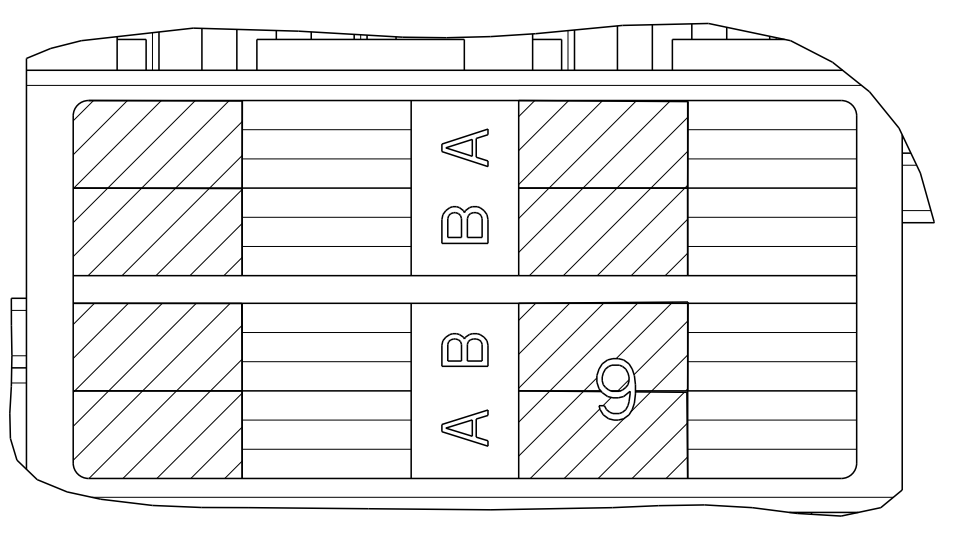
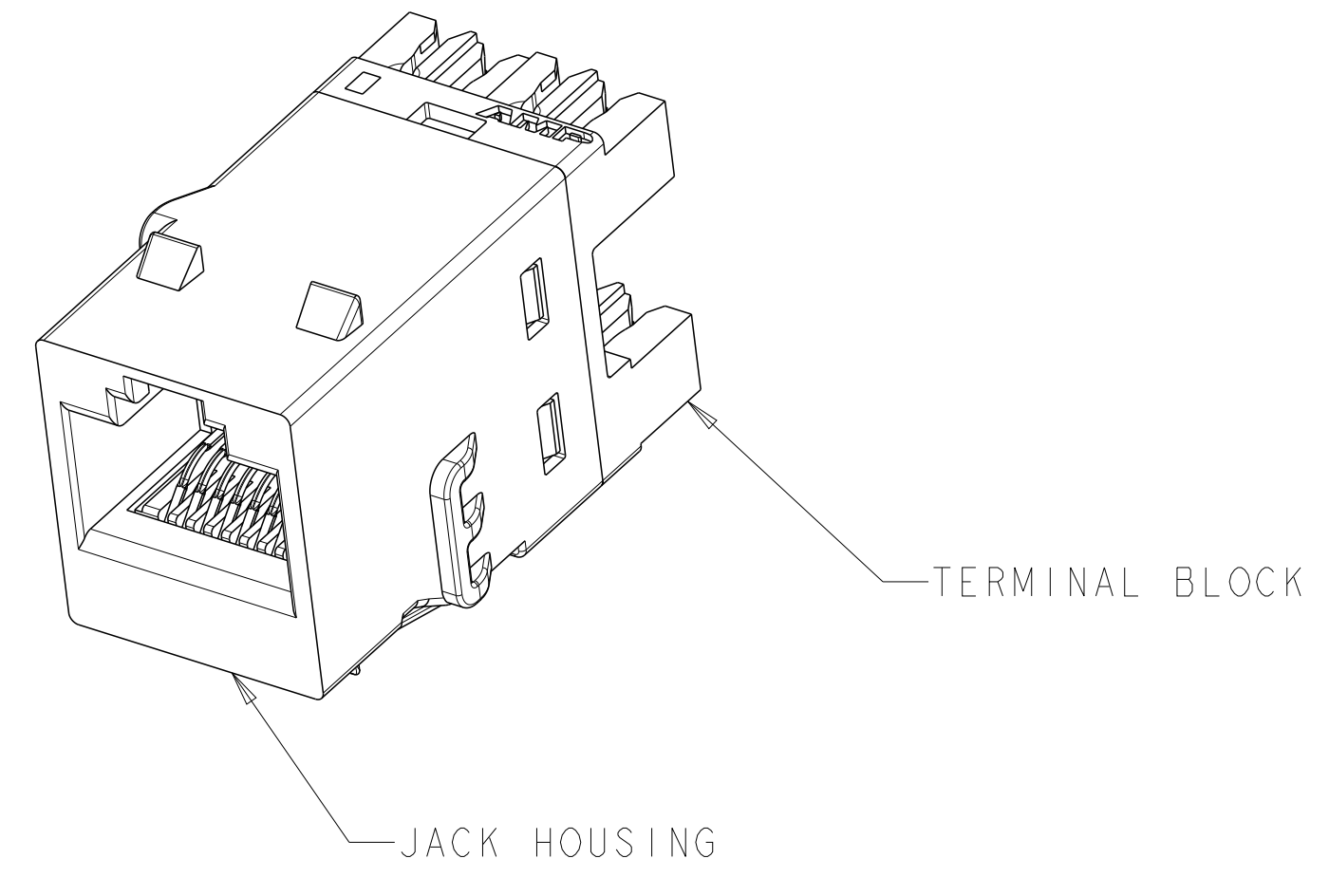
Tel: +86-755-8981 8866 Fax: +86-755-8427 6832

Email & Skype: info@chipsmall.com Web: www.chipsmall.com

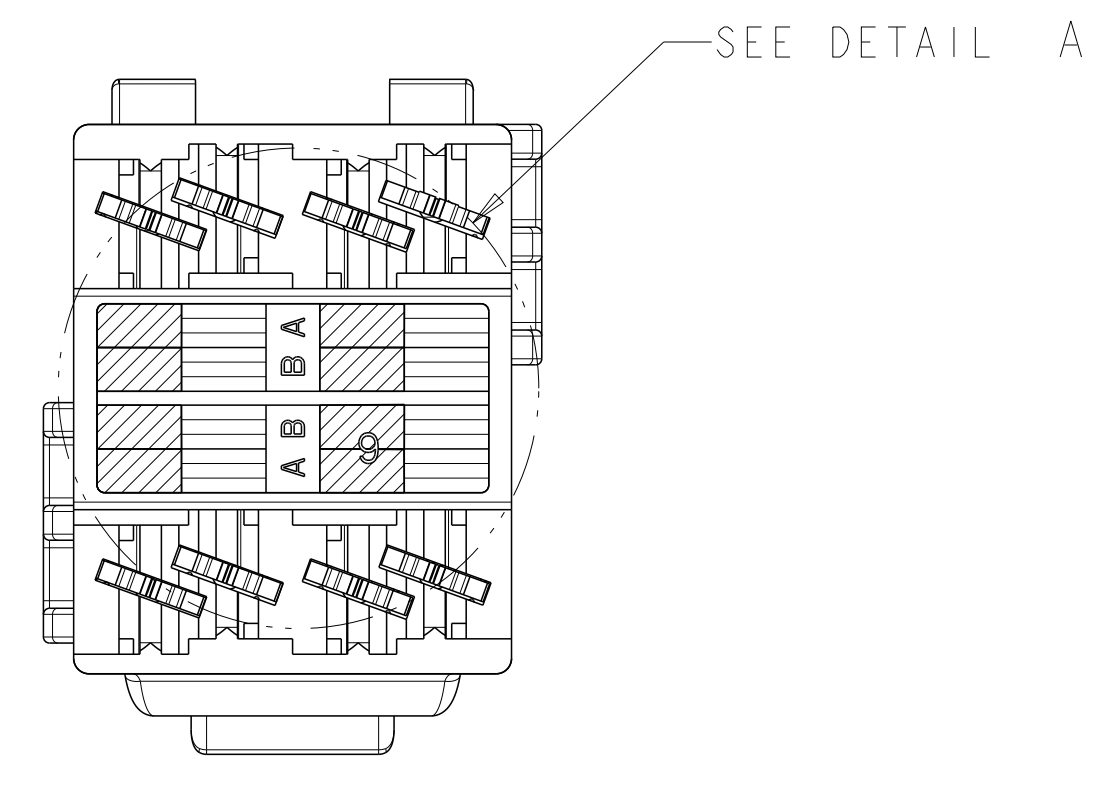
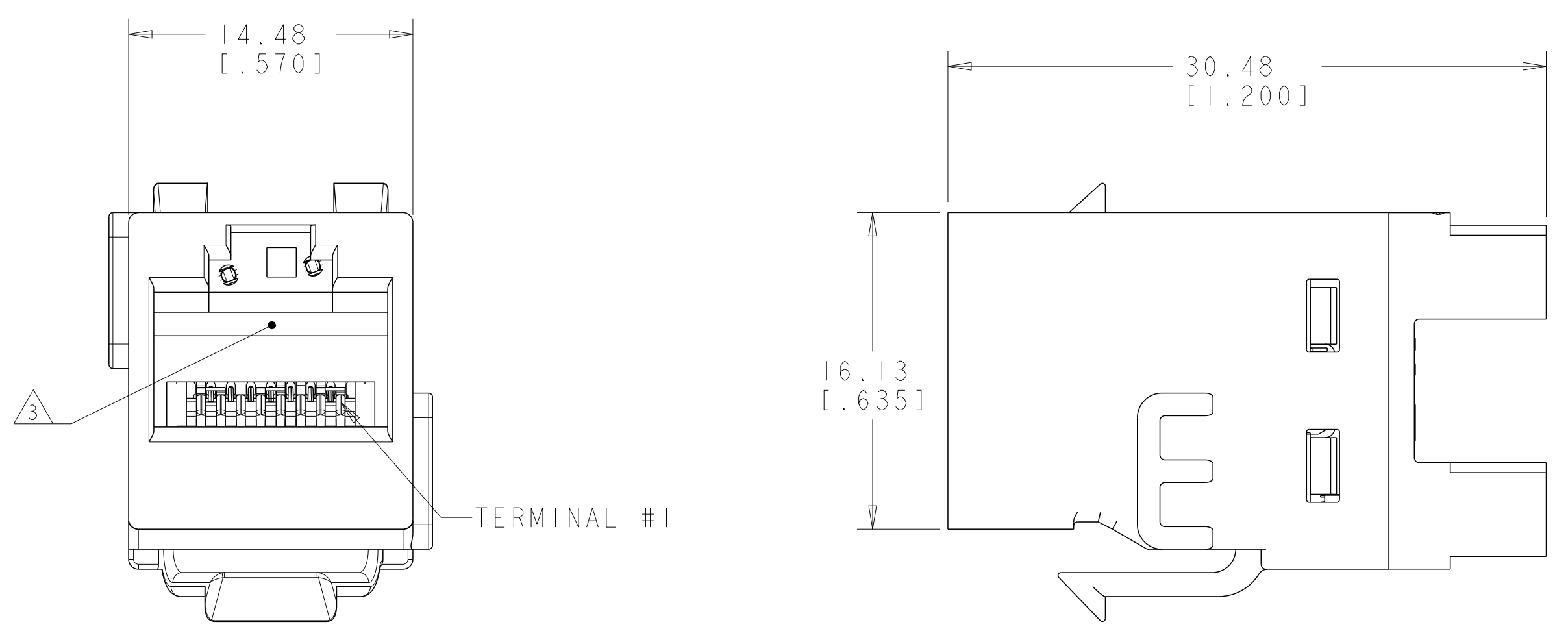
Address: A1208, Overseas Decoration Building, #122 Zhenhua RD., Futian, Shenzhen, China



LOC	DIST	REVISIONS					
HM	00	P	LTN	DESCRIPTION	DATE	OWN	APVD
		D		REV: ECO-15-003768	11MAR2015	GG	LS



- △ MATERIAL: JACK HOUSING - POLYCARBONATE, 94V-0 RATED.
 110 BLOCK - POLYCARBONATE.
 ARRAY TRAY - PBT POLYESTER.
 JACK CONTACTS ARRAY - BERYLLIUM COPPER, PLATED WITH
 1.27µm [.000050] MINIMUM THICK GOLD IN LOCALIZED
 AREA AND 3.81µm [.000150] MINIMUM THICK MATTE TIN IN
 BOARD INTERFACE AREA OVER 1.27µm [.000050] MINIMUM THICK
 NICKEL UNDERPLATE.
 IDC TERMINALS - PHOSPHOROUS BRONZE, PLATED WITH
 3.81µm [.00015] MINIMUM THICK MATTE TIN OVER
 1.27µm [.00005] MINIMUM THICK NICKEL UNDERPLATE.
- 2. SL 110 JACK WILL TERMINATE 22-24 AWG SOLID AND 24-26 AWG
 STRANDED CONDUCTORS, 1.27[.050] MAXIMUM INSULATION DIAMETER.
 JACK WILL ACCEPT CONDUCTORS UP TO 1.45 [.057] BUT REQUIRE
 THE USE OF A STRAIN RELIEF.
- △ 3. CAVITY CONFORMS TO FCC RULES AND REGULATIONS I
 PART 68 SUBPART F REQUIREMENTS.
- 4. MOUNTING PANEL THICKNESS 1.47 - 1.60 [.058 - .063].
- △ 5. THESE TWO SUGGESTED CUTOUT OPENINGS ARE USED
 IN TANDEM WITH DUAL FRONT AND BACK CUTOUTS.
- △ 6. ONE MODULAR JACK ASSEMBLY PER POLYBAG.
- △ 7. TWENTY FIVE MODULAR JACKS PER POLYBAG.
- △ 8. REFER TO 408-8858 FOR TERMINATION INSTRUCTIONS USING SL
 SERIES TOOL TERMINATION. REFER TO 408-8417 FOR TERMINATION
 INSTRUCTIONS USING 110 PUNCH DOWN TOOL.

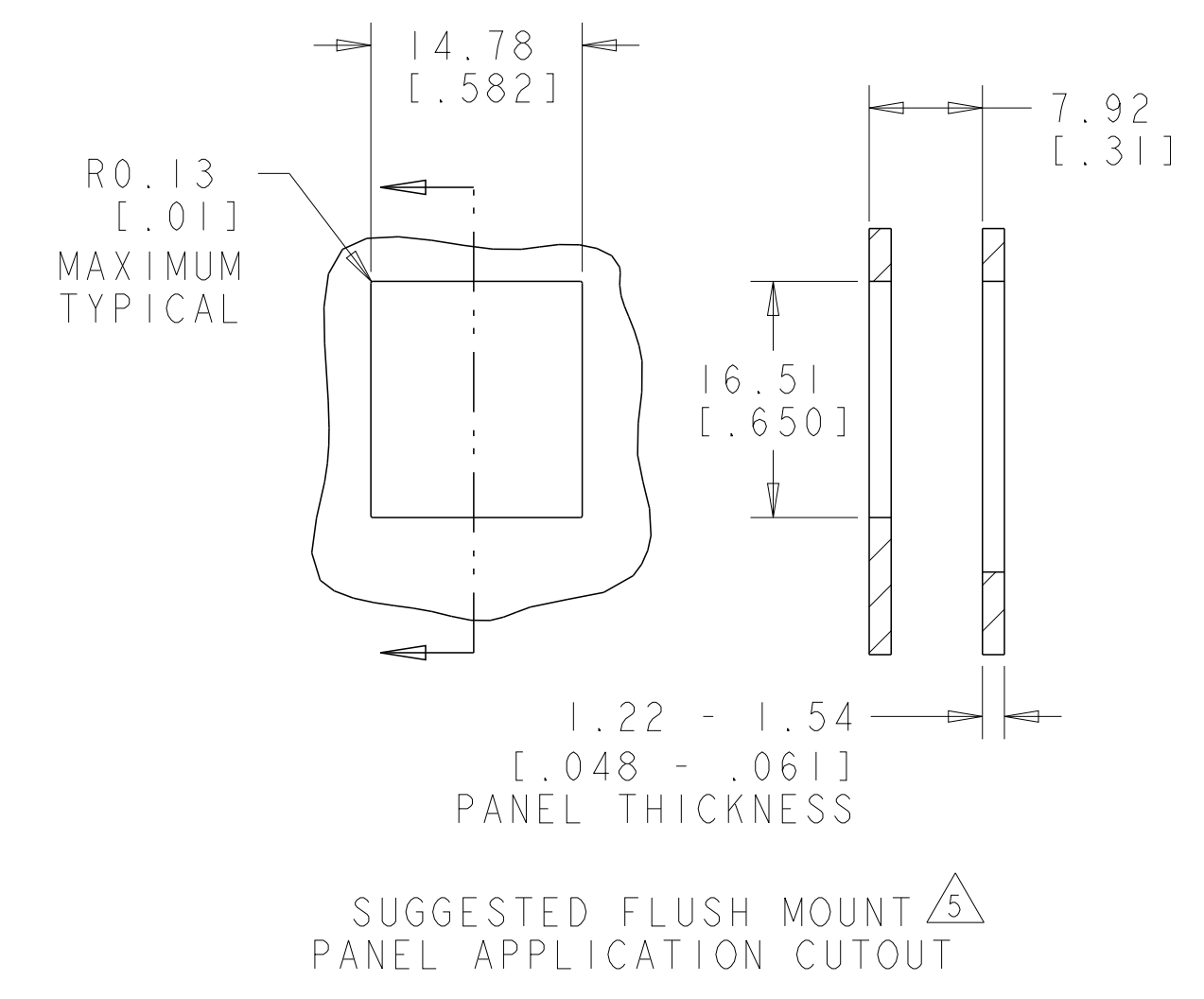
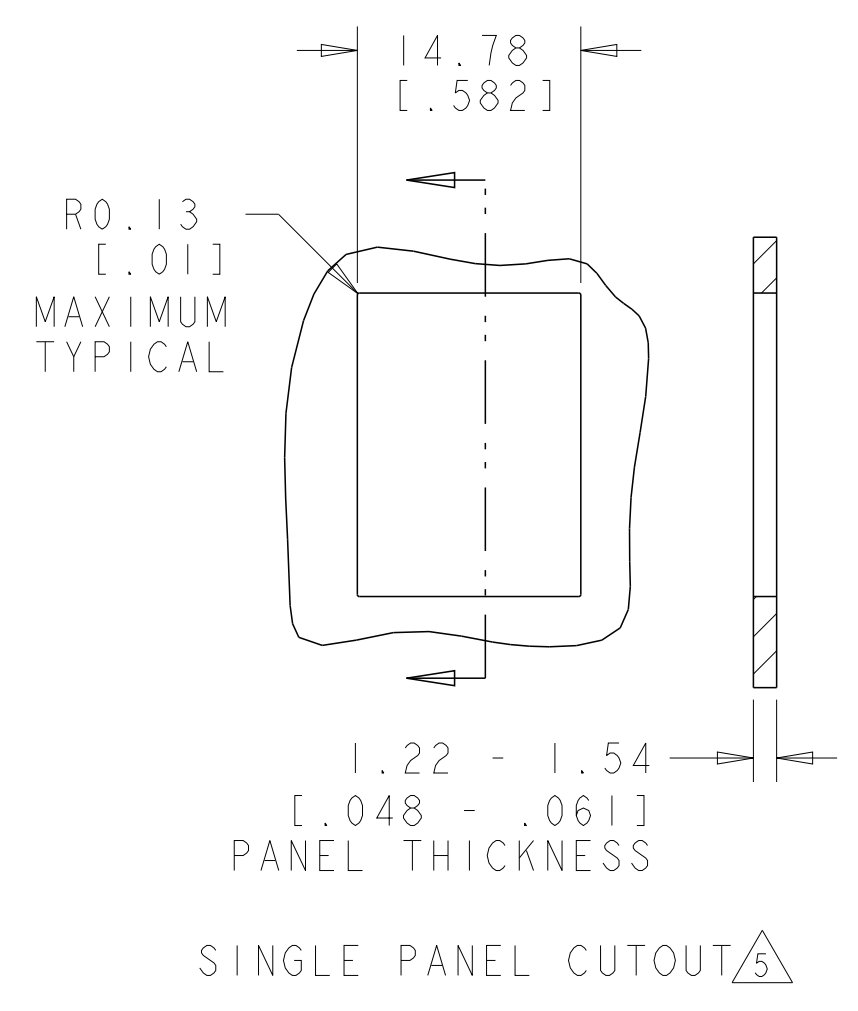


COLOR CODE	IDC TERMINAL	MODULAR JACK
WHITE/BLUE	5	5
BLUE	4	4
WHITE/ORANGE	3	3
ORANGE	6	6
WHITE/GREEN	1	1
GREEN	2	2
WHITE/BROWN	7	7
BROWN	8	8

ELECTRICAL SCHEMATIC T568A

COLOR CODE	IDC TERMINAL	MODULAR JACK
WHITE/BLUE	5	5
BLUE	4	4
WHITE/ORANGE	1	1
ORANGE	2	2
WHITE/GREEN	3	3
GREEN	6	6
WHITE/BROWN	7	7
BROWN	8	8

ELECTRICAL SCHEMATIC T568B



ALPINE WHITE	3-2111475-3
ELECTRIC IVORY	3-2111475-1
VIOLET	3-2111475-0
GREEN	2-2111475-9
YELLOW	2-2111475-8
RED	2-2111475-7
BLUE	2-2111475-6
ORANGE	2-2111475-5
NEMA GRAY	2-2111475-4
BLACK	2-2111475-2
LIGHT ALMOND	2-2111475-1
ALPINE WHITE	1-2111475-3
ELECTRIC IVORY	1-2111475-1
VIOLET	1-2111475-0
GREEN	2111475-9
YELLOW	2111475-8
RED	2111475-7
BLUE	2111475-6
ORANGE	2111475-5
NEMA GRAY	2111475-4
BLACK	2111475-2
LIGHT ALMOND	2111475-1
PACKAGE	HOUSING COLOR PART NUMBER

THIS DRAWING IS A CONTROLLED DOCUMENT.

OWN: J. BURWELL, ZONOV2011
 CHK: S. ALLGOOD, ZONOV2011

DIMENSIONS: MM [inches]

TOLERANCES UNLESS OTHERWISE SPECIFIED:

0 PLC	±
1 PLC	±
2 PLC	±
3 PLC	±
4 PLC	±
ANGLES	±

MATERIAL: △

FINISH: △

APVD: △

PRODUCT SPEC: 108-131004

APPLICATION SPEC: △8

WEIGHT: △

Customer Drawing

SCALE: 2:1 SHEET 1 OF 1 REV D

NAME: ASSEMBLY, 110 JACK, CAT 6, E-SERIES

SIZE: A100779 C=2111475

RESTRICTED TO: △