



Chipsmall Limited consists of a professional team with an average of over 10 year of expertise in the distribution of electronic components. Based in Hongkong, we have already established firm and mutual-benefit business relationships with customers from,Europe,America and south Asia,supplying obsolete and hard-to-find components to meet their specific needs.

With the principle of “Quality Parts,Customers Priority,Honest Operation,and Considerate Service”,our business mainly focus on the distribution of electronic components. Line cards we deal with include Microchip,ALPS,ROHM,Xilinx,Pulse,ON,Everlight and Freescale. Main products comprise IC,Modules,Potentiometer,IC Socket,Relay,Connector.Our parts cover such applications as commercial,industrial, and automotives areas.

We are looking forward to setting up business relationship with you and hope to provide you with the best service and solution. Let us make a better world for our industry!



## Contact us

Tel: +86-755-8981 8866 Fax: +86-755-8427 6832

Email & Skype: info@chipsmall.com Web: www.chipsmall.com

Address: A1208, Overseas Decoration Building, #122 Zhenhua RD., Futian, Shenzhen, China



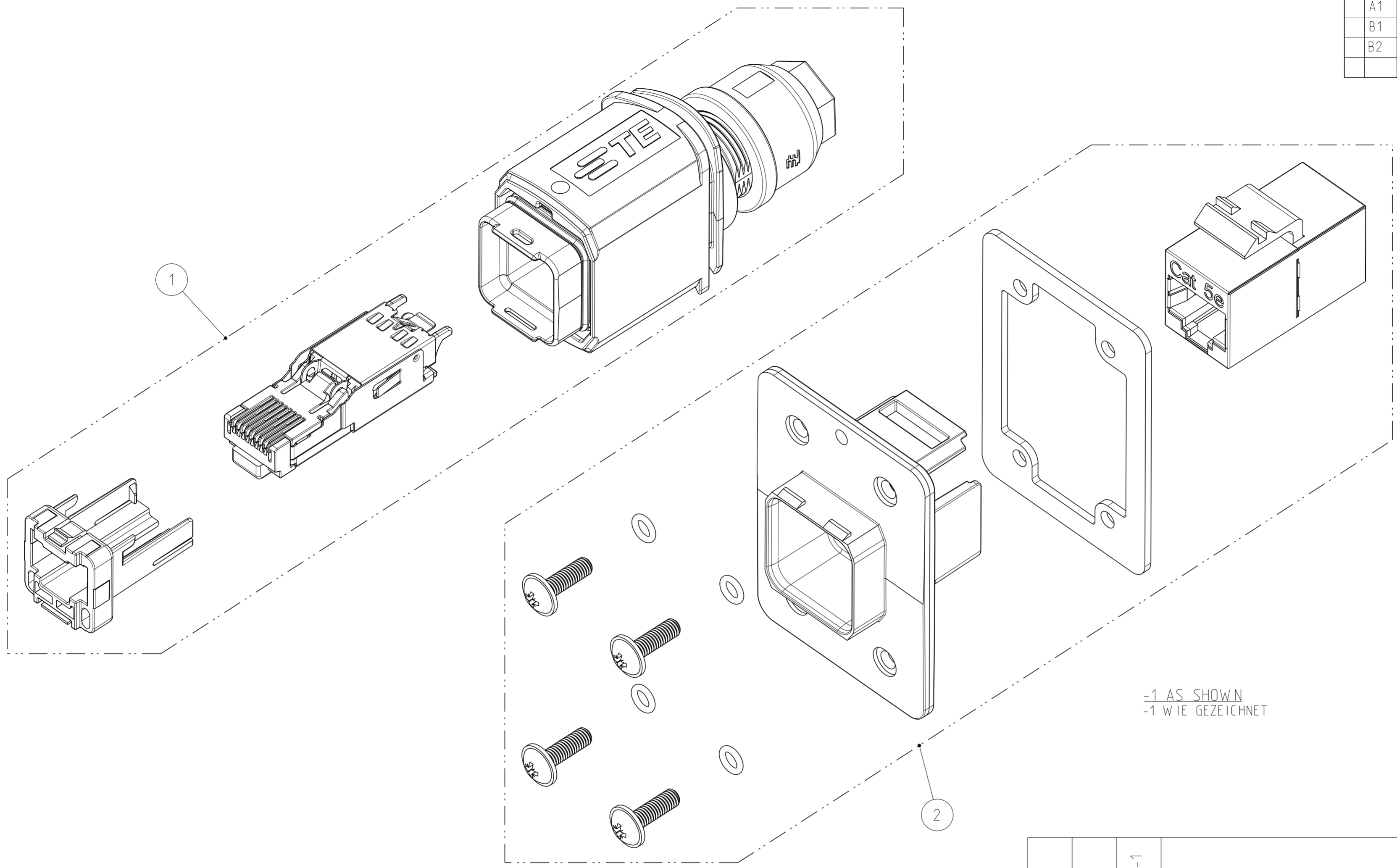
THIS DRAWING IS UNPUBLISHED  
 VERTRÄULICHE UNVERÖFFENTLICHTE ZEICHNUNG  
 © COPYRIGHT 2014 Tyco Electronics AMP GmbH

RELEASED FOR PUBLICATION  
 FREI FUER VERÖFFENTLICHUNG  
 2014  
 ALL RIGHTS RESERVED.  
 ALLE RECHTE VORBEHALTEN.

MATED WITH:  
 PASSEND ZU:

PROJEKT NR.:  
 PRJ-13-000001658

REVISIONS		DATE	DWN	APVD
ÄNDERUNGEN				
P	LTR	DESCRIPTION		
		BESCHREIBUNG		
A1		DRAWING ACTIVATED	ER	CS
B1		REV. PER PCN E-14-016181	ER	CS
B2		VARIANT 1--1 ADDED	ER	MS



-1 AS SHOWN  
 -1 WIE GEZEICHNET

- 1 **PACKAGING:**  
 - EACH SET PACKED INTO SEPARATE BLISTER PACKAGING  
 - SINGLE BLISTER PACKAGING PACKED TOGETHER INTO FOLDING BOX
- 2 **MOUNTING PROCESS** SEE RESPECTIVE INSTRUCTION SHEET

- 1 **VERPACKUNG:**  
 - JEDES SET IN BLISTERVERPACKUNG VERPACKT  
 - BLISTERVERPACKUNG IN FALTSCHACHTEL VERPACKT
- 2 **MONTAGEVORGANG** SIEHE JEWEILIGE MONTAGEANWEISUNG

Size ISO 14405 (E)

		2120875-1		<b>TE</b> <b>ORDER-NO.</b> <b>BESTELL-NR.</b>		
-	-	1	2	2120871-1	VARIANT 14, JACK WITH RJ45 CAT5e, PASS THROUGH VARIANTE 14, JACK MIT RJ45 CAT5e, PASS THROUGH	-
-	-	1	1	2120864-1	VARIANT 14, PLUG WITH RJ45 CAT5e, 8POS VARIANTE 14, PLUG MIT RJ45 CAT5e, 8POL	-
QUANTITY		ITEM-NO.	PN	DESCRIPTION		MATERIAL
STUECK		POS.		BENENNUNG		OBERFLAECHE
						COLOUR/FARBE

THIS DRAWING IS A CONTROLLED DOCUMENT. DIMENSIONING AND TOLERANCING PER GPS (ISO STANDARDS)		DWN S. HASS 23SEP2013	<b>STE</b> TE Connectivity
DIMENSIONS: MASSEINHEITEN: (MM)		CHK M. STRELOW 23SEP2013	
TOLERANCES UNLESS OTHERWISE SPECIFIED: ALLGEMEINTOLERANZEN		APVD C. SCHREITLINGER 23SEP2013	
0 PLC ±0.2 1 PLC ±0.2 2 PLC ± 3 PLC ± 4 PLC ±		NAME VARIANT 14, COUPLER PLUG AND JACK VARIANTE 14, VERBINDER PLUG UND JACK CAT5e, 8POS. GIGABIT VS. PASS THROUGH	RESTRICTED TO NUR FUER
MATERIAL		PRODUCT SPEC 108-94207	SIZE A2
		APPLICATION SPEC	CAGE CODE 00779
		WEIGHT 14.3g	DRAWING NO. C-2120875
		Customer Drawing	SCALE 2:1
			SHEET 1 OF 9
			REV B2



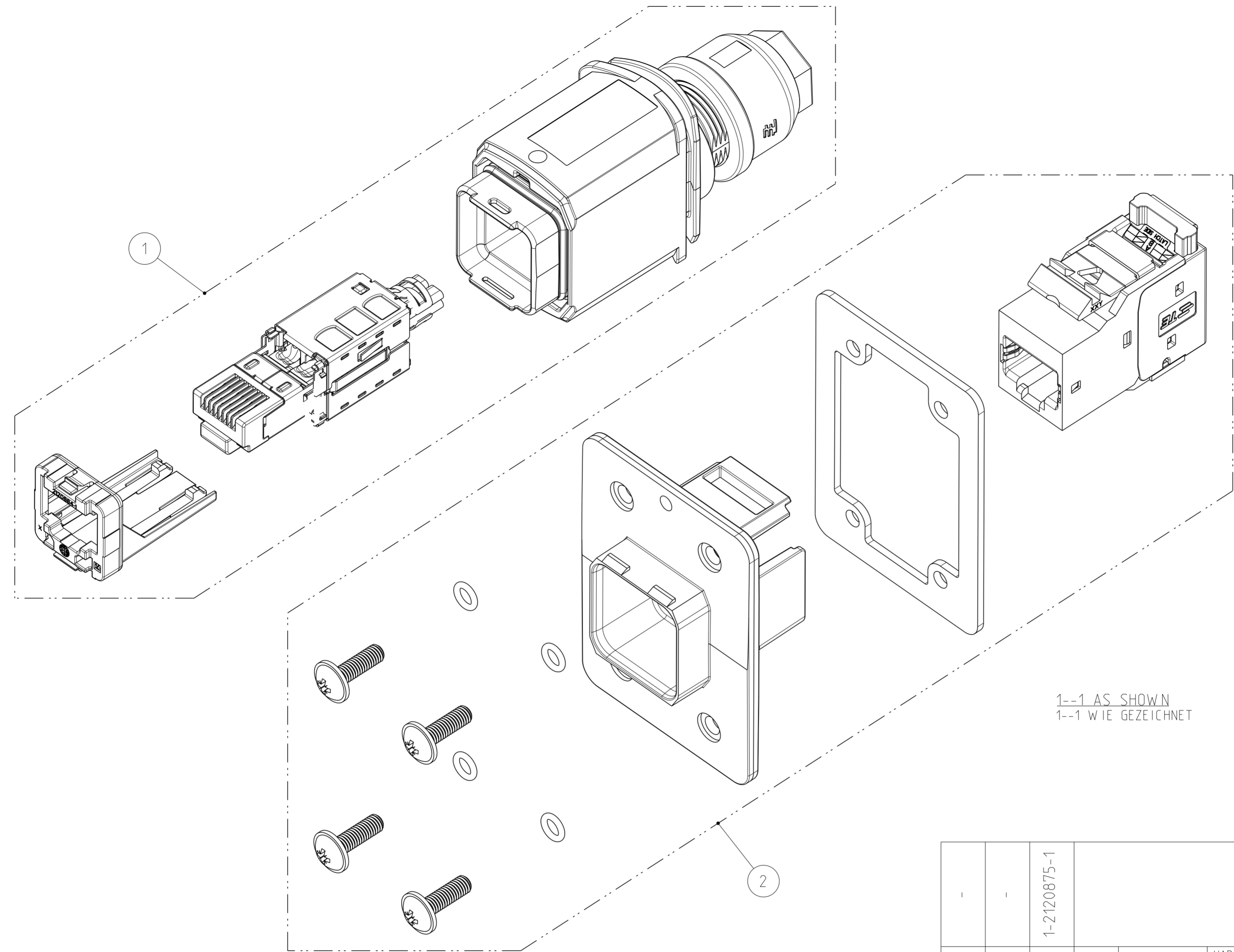
THIS DRAWING IS UNPUBLISHED  
 VERTRÄULICHE UNVERÖFFENTLICHTE ZEICHNUNG  
 © COPYRIGHT 2014 Tyco Electronics AMP GmbH

RELEASED FOR PUBLICATION  
 FREI FUER VERÖFFENTLICHUNG  
 2014  
 ALL RIGHTS RESERVED.  
 ALLE RECHTE VORBEHALTEN.

MATED WITH:  
 PASSEND ZU:

PROJEKT NR.:  
 PRJ-13-000001658

P	LTR	REVISIONS ÄNDERUNGEN DESCRIPTION BESCHREIBUNG	DATE	DWN	APVD
-	-	SEE SHEET 1	-	-	-



- 1 PACKAGING:  
 - EACH SET PACKED INTO SEPARATE BLISTER PACKAGING  
 - SINGLE BLISTER PACKAGING PACKED TOGETHER INTO FOLDING BOX
- 2 MOUNTING PROCESS SEE RESPECTIVE INSTRUCTION SHEET

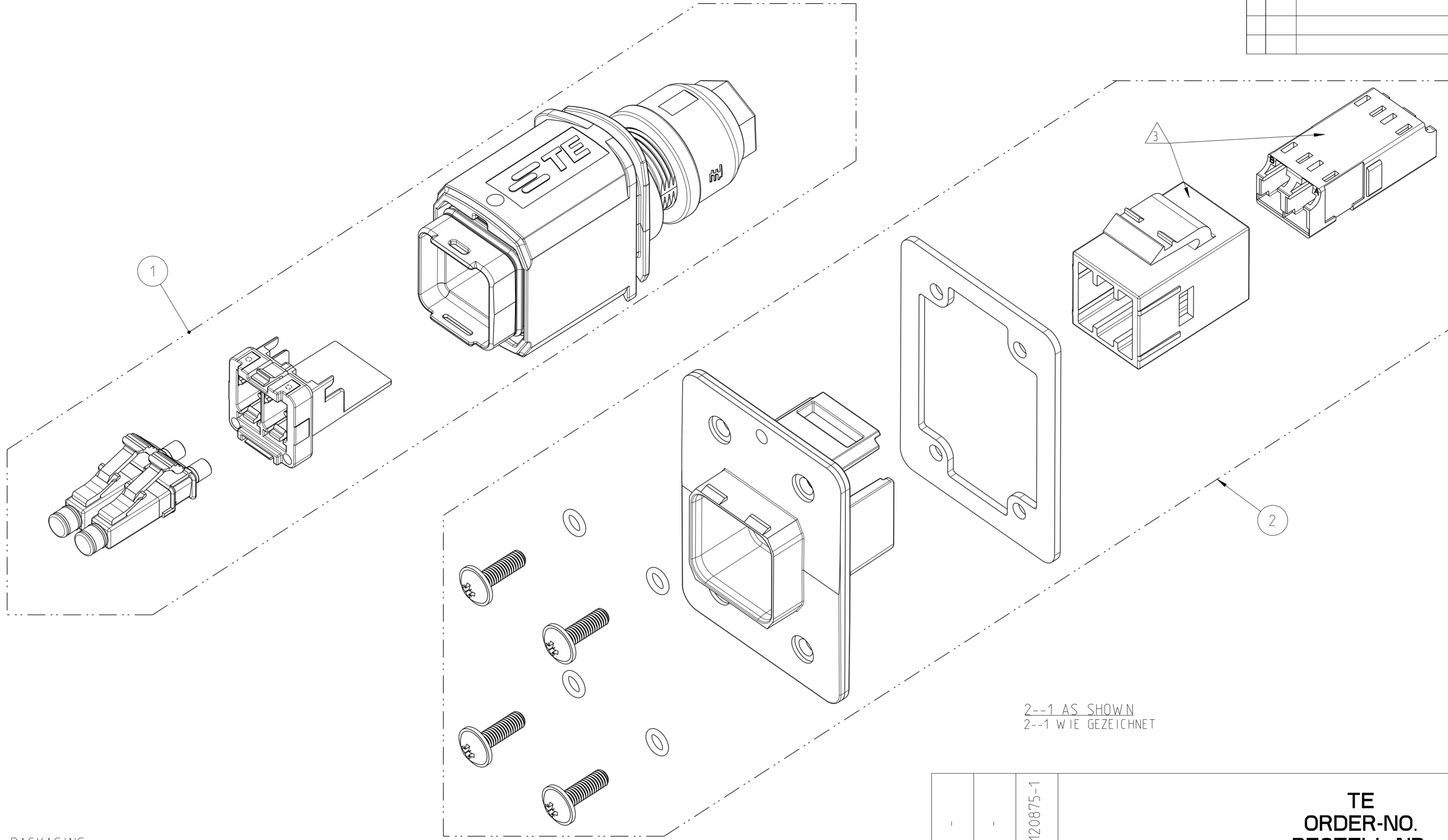
- 1 VERPACKUNG:  
 - JEDES SET IN BLISTERVERPACKUNG VERPACKT  
 - BLISTERVERPACKUNG IN FALTSCHACHEL VERPACKT
- 2 MONTAGEVORGANG SIEHE JEWEILIGE MONTAGEANWEISUNG

Size ISO 14405 (E)

1-2120875-1		<b>TE ORDER-NO. BESTELL-NR.</b>					
-	-	1	2	1-2120871-1	VARIANT 14, JACK WITH CAT6A VARIANTE 14, JACK MIT CAT6A	-	-
-	-	1	1	1-2120864-1	VARIANT 14, PLUG WITH RJ45 CAT6A, 8POS. VARIANTE 14, PLUG MIT RJ45 CAT6A, 8POL.	-	-
QUANTITY STUECK		ITEM-NO. POS.	PN	DESCRIPTION BENENNUNG		SURFACE OBERFLAECHE COLOUR/FARBE	MATERIAL

THIS DRAWING IS A CONTROLLED DOCUMENT. DIMENSIONING AND TOLERANCING PER GPS (ISO STANDARDS)		DWN S. HASS 23SEP2013	<b>STE</b> TE Connectivity		
DIMENSIONS: MASSEINHEITEN: (MM)		CHK M. STRELOW 23SEP2013			
TOLERANCES UNLESS OTHERWISE SPECIFIED: ALLGEMEINTOLERANZEN		APVD C. SCHRETTLINGER 23SEP2013	NAME VARIANT 14, COUPLER PLUG AND JACK VARIANTE 14, VERBINDER PLUG UND JACK CAT6A, 8POS.		
0 PLC ±0.2 1 PLC ±0.2 2 PLC ± 3 PLC ± 4 PLC ±		PRODUCT SPEC 108-94207	SIZE A2	CAGE CODE 00779	DRAWING NO. ZEICHNUNGS-NR. C-2120875
ANGLES/WINKEL ±2° FINISH/OBERFLAECHE/FARBE		APPLICATION SPEC VERARBEITUNGSSPEZ. -	WEIGHT GEWICHT 14.3g	SCALE MASSSTAB 2:1	SHEET BLATT 2 OF 9
MATERIAL		Customer Drawing	/KUNDENZEICHNUNG		RESTRICTED TO NUR FUER -
					REV B2

P	LTR	DESCRIPTION	DATE	DWN	APVD
-	-	SEE SHEET 1	-	-	-



2--1 AS SHOWN  
2--1 WIE GEZEICHNET

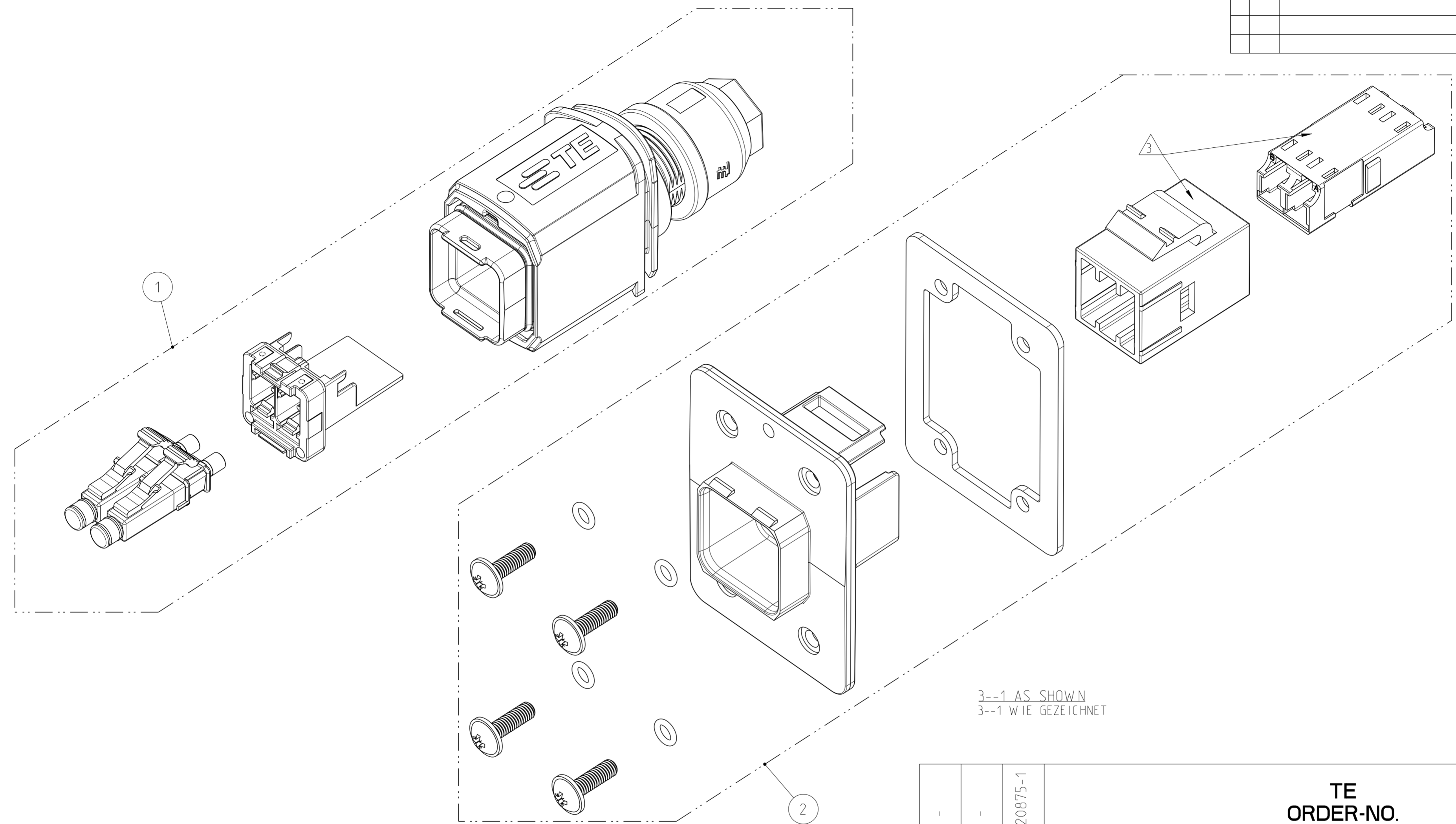
- 1 PACKAGING:  
 - EACH SET PACKED INTO SEPARATE BLISTER PACKAGING  
 - SINGLE BLISTER PACKAGING PACKED TOGETHER INTO FOLDING BOX
- 2 MOUNTING PROCESS SEE RESPECTIVE INSTRUCTION SHEET
- 3 PARTS PRE-ASSEMBLED

- 1 VERPACKUNG:  
 - JEDES SET IN BLISTERVERPACKUNG VERPACKT  
 - BLISTERVERPACKUNG IN FALTSCHACHTEL VERPACKT
- 2 MONTAGEVORGANG SIEHE JEWEILIGE MONTAGEANWEISUNG
- 3 TEILE VORMONTIERT

QUANTITY	ITEM-NO.	PN	DESCRIPTION	SURFACE	MATERIAL
STUECK	POS.		BENENNUNG	OBERFLAECHE	
				COLOUR/FARBE	
-	-	2-2120875-1	TE ORDER-NO. BESTELL-NR.		
-	-	1 2	2-2120871-1	VARIANT 14, JACK WITH FIBER OPTIC, LC, SINGLE MODE	-
-	-	1 1	2-2120864-1	VARIANT 14, PLUG WITH FIBER OPTIC, LC, SINGLE MODE	-

THIS DRAWING IS A CONTROLLED DOCUMENT. DIMENSIONING AND TOLERANCING PER GPS (ISO STANDARDS)		DWN S. HASS 23SEP2013	 TE Connectivity	NAME	
DIMENSIONS: MASSEINHEITEN: (MM)		CHK M. STRELOW 23SEP2013		VARIANT 14, COUPLER PLUG AND JACK	
TOLERANCES UNLESS OTHERWISE SPECIFIED: ALLGEMEINTOLERANZEN		APVD C. SCHREITLINGER 23SEP2013		VARIANTE 14, VERBINDER PLUG UND JACK	
0 PLC ±0.2 1 PLC ±0.2 2 PLC ± 3 PLC ± 4 PLC ± ANGLES/WINKEL ±2° FINISH/OBERFLAECHE/FARBE		PRODUCT SPEC 108-94207	SIZE A2	CAGE CODE 00779	DRAWING NO. ZEICHNUNGS-NR. C-2120875
MATERIAL		WEIGHT 136g	SCALE 2:1	SHEET 3 OF 9	RESTRICTED TO NUR FUER -
Size ISO 14405 E		Customer Drawing	/KUNDENZEICHNUNG	REV B2	

REVISIONS		DATE	DWN	APVD
ÄNDERUNGEN				
DESCRIPTION				
BESCHREIBUNG				
P	LTR			
-	SEE SHEET 1	-	-	-



- 1 **PACKAGING:**  
 - EACH SET PACKED INTO SEPARATE BLISTER PACKAGING  
 - SINGLE BLISTER PACKAGING PACKED TOGETHER INTO FOLDING BOX
- 2 **MOUNTING PROCESS** SEE RESPECTIVE INSTRUCTION SHEET
- 3 **PARTS PRE-ASSEMBLED**

- 1 **VERPACKUNG:**  
 - JEDES SET IN BLISTERVERPACKUNG VERPACKT  
 - BLISTERVERPACKUNG IN FALTSCHACHTEL VERPACKT
- 2 **MONTAGEVORGANG** SIEHE JEWEILIGE MONTAGEANWEISUNG
- 3 **TEILE VORMONTIERT**

TE ORDER-NO. BESTELL-NR.					
QUANTITY	ITEM-NO.	PN	DESCRIPTION	SURFACE	MATERIAL
STUECK	POS.		BENENNUNG	OBERFLAECHE	
				COLOUR/FARBE	
-	-	1	2	3-2120871-1	VARIANTE 14, JACK WITH FIBER OPTIC, LC, MULTI MODE
-	-	1	1	3-2120864-1	VARIANTE 14, PLUG WITH FIBER OPTIC, LC, MULTI MODE

THIS DRAWING IS A CONTROLLED DOCUMENT. DIMENSIONING AND TOLERANCING PER GPS (ISO STANDARDS)		DWN S. HASS 23SEP2013
DIMENSIONS: MASSEINHEITEN: (MM)		CHK M. STRELOW 23SEP2013
TOLERANCES UNLESS OTHERWISE SPECIFIED: ALLGEMEINTOLERANZEN		APVD C. SCHREITLINGER 23SEP2013
0 PLC	±0.2	NAME
1 PLC	±0.2	VARIANT 14, COUPLER PLUG AND JACK
2 PLC	±	VARIANTE 14, VERBINDER PLUG UND JACK
3 PLC	±	FIBER OPTIC, LC MULTI MODE
4 PLC	±	SIZE
ANGLES/WINKEL	±2°	CAGE CODE
FINISH/OBERFLAECHE/FARBE	-	DRAWING NO.
		ZEICHNUNGS-NR.
MATERIAL	-	WEIGHT
		GEWICHT
		Customer Drawing

<b>STE</b> TE Connectivity	
SCALE	2:1
SHEET	4 OF 9
REV	B2

Size ISO 14405 (E)

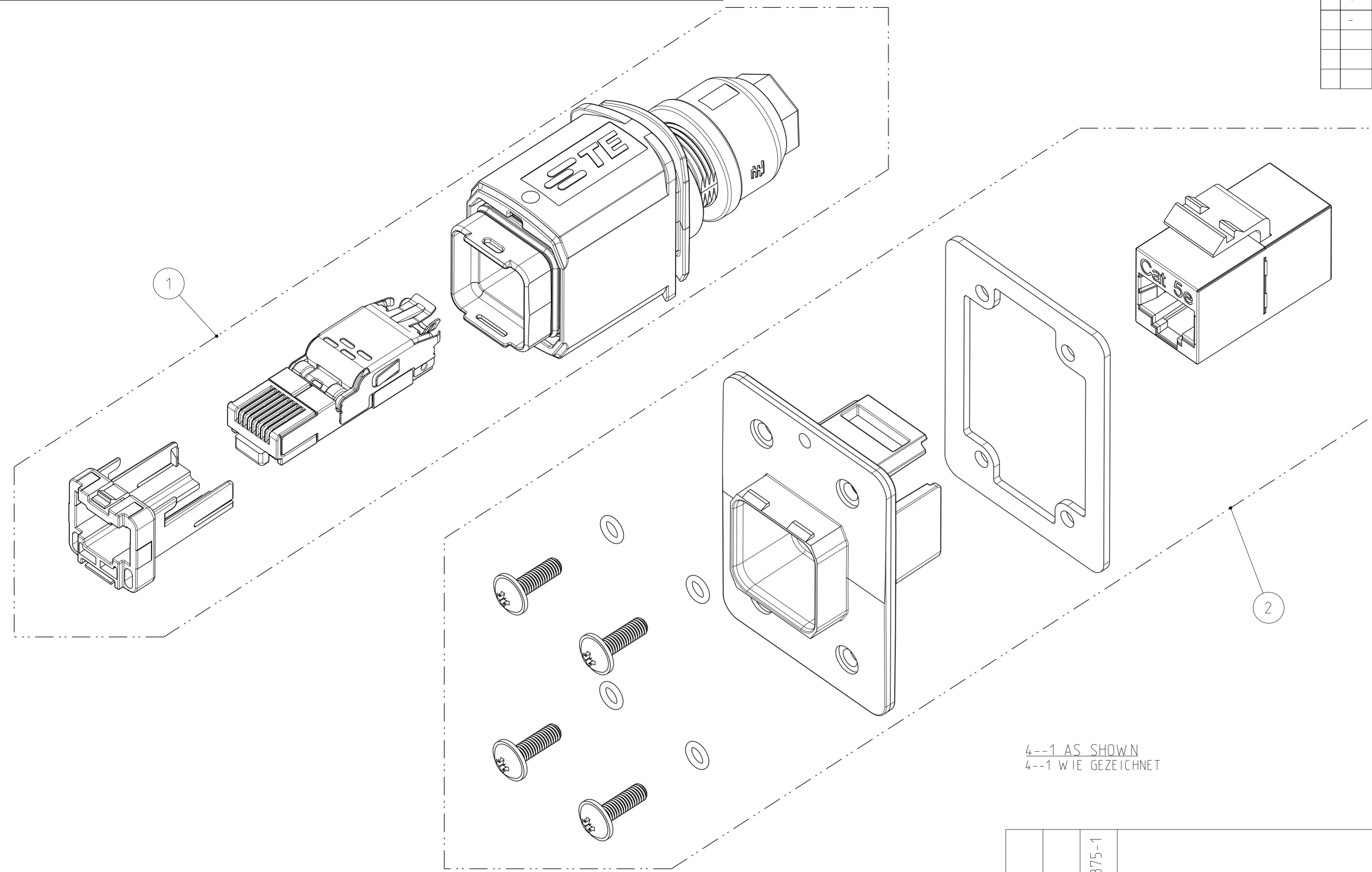
THIS DRAWING IS UNPUBLISHED  
 VERTRÄULICHE UNVERÖFFENTLICHTE ZEICHNUNG  
 © COPYRIGHT 2014 Tyco Electronics AMP GmbH

RELEASED FOR PUBLICATION  
 FREI FUER VERÖFFENTLICHUNG  
 2014  
 ALL RIGHTS RESERVED.  
 ALLE RECHTE VORBEHALTEN.

MATED WITH:  
 PASSEND ZU:

PROJEKT NR.:  
 PRJ-13-00001658

P		LTR	REVISIONS ÄNDERUNGEN DESCRIPTION BESCHREIBUNG	DATE	DWN	APVD
-	-	SEE SHEET 1		-	-	-



4--1 AS SHOWN  
 4--1 WIE GEZEICHNET

- 1 **PACKAGING:**  
 - EACH SET PACKED INTO SEPARATE BLISTER PACKAGING  
 - SINGLE BLISTER PACKAGING PACKED TOGETHER INTO FOLDING BOX
- 2 MOUNTING PROCESS SEE RESPECTIVE INSTRUCTION SHEET

- 1 **VERPACKUNG:**  
 - JEDES SET IN BLISTERVERPACKUNG VERPACKT  
 - BLISTERVERPACKUNG IN FALTSCHACHTEL VERPACKT
- 2 MONTAGEVORGANG SIEHE JEWEILIGE MONTAGEANWEISUNG

Size ISO 14405 (E)

		4-2120875-1		<b>TE ORDER-NO. BESTELL-NR.</b>		
-	-	1	2	2120871-1	VARIANT 14, JACK METAL WITH RJ45 CAT5e, PASS THROUGH VARIANTE 14, JACK METALL MIT RJ45 CAT5e, PASS THROUGH	
-	-	1	1	4-2120864-1	VARIANT 14, PLUG METAL WITH RJ45 CAT5e, 4POS. VARIANTE 14, PLUG METALL MIT RJ45 CAT5e, 4POL.	
QUANTITY STUECK	ITEM-NO. POS.	PN		DESCRIPTION BENENNUNG	SURFACE OBERFLAECHE COLOUR/FARBE	MATERIAL

THIS DRAWING IS A CONTROLLED DOCUMENT. DIMENSIONING AND TOLERANCING PER GPS (ISO STANDARDS)		DWN S. HASS 23SEP2013		NAME VARIANT 14, COUPLER PLUG AND JACK VARIANTE 14, VERBINDER PLUG UND JACK CAT5e, 4POS. VS. PASS THROUGH		
DIMENSIONS: MASSEINHEITEN: (MM)		CHK M. STRELOW 23SEP2013		PRODUCT SPEC 108-94207	SIZE A2	CAGE CODE 00779
TOLERANCES UNLESS OTHERWISE SPECIFIED: ALLGEMEINTOLERANZEN		APVD C. SCHRETTINGER 23SEP2013		APPLICATION SPEC VERARBEITUNGSSPEZ.	DRAWING NO. ZEICHNUNGS-NR. C-2120875	RESTRICTED TO NUR FUER -
MATERIAL		WEIGHT GEWICHT 143g		SCALE MASSSTAB 2:1	SHEET BLATT 5 OF 9	REV B2
Customer Drawing			/KUNDENZEICHNUNG			

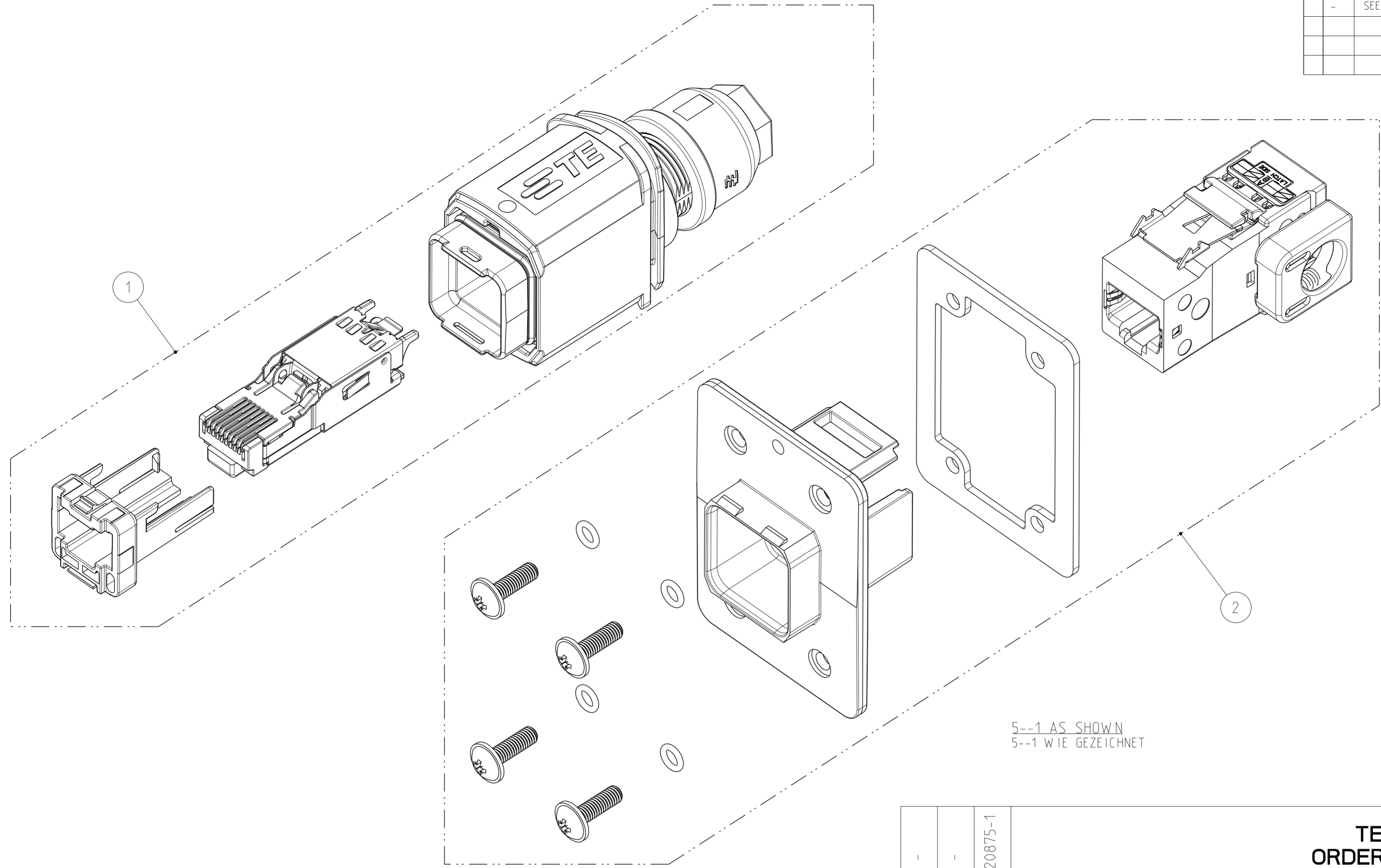
THIS DRAWING IS UNPUBLISHED  
 VERTRÄULICHE UNVERÖFFENTLICHTE ZEICHNUNG  
 © COPYRIGHT 2014 Tyco Electronics AMP GmbH

RELEASED FOR PUBLICATION  
 FREI FUER VERÖFFENTLICHUNG  
 2014  
 ALL RIGHTS RESERVED.  
 ALLE RECHTE VORBEHALTEN.

MATED WITH:  
 PASSEND ZU:

PROJEKT NR.:  
 PRJ-13-000001658

REVISIONS		DATE	DWN	APVD
AENDERUNGEN	DESCRIPTION			
DESCRIPTION	BESCHREIBUNG			
P	LTR			
-	SEE SHEET 1	-	-	-



5--1 AS SHOWN  
 5--1 WIE GEZEICHNET

- 1 PACKAGING:  
 - EACH SET PACKED INTO SEPARATE BLISTER PACKAGING  
 - SINGLE BLISTER PACKAGING PACKED TOGETHER INTO FOLDING BOX
- 2 MOUNTING PROCESS SEE RESPECTIVE INSTRUCTION SHEET

- 1 VERPACKUNG:  
 - JEDES SET IN BLISTERVERPACKUNG VERPACKT  
 - BLISTERVERPACKUNG IN FALTSCHACHEL VERPACKT
- 2 MONTAGEVORGANG SIEHE JEWEILIGE MONTAGEANWEISUNG

QUANTITY	ITEM-NO.	PN	DESCRIPTION	SURFACE	MATERIAL
STUECK	POS.		BENENNUNG	OBERFLAECHE	
				COLOUR/FARBE	
-	-	5-2120875-1			
-	-	1	2	4-2120871-1	VARIANT 14, JACK METAL WITH RJ45 CAT6, SIDE EXIT 90° VARIANTE 14, JACK METALL MIT RJ45 CAT6, SEITLICHER AUSGANG 90°
-	-	1	1	2120864-1	VARIANT 14, PLUG METAL WITH RJ45 CAT5e; 8POS. VARIANTE 14, PLUG METALL MIT RJ45 CAT5e; 8POL.

**TE**  
**ORDER-NO.**  
**BESTELL-NR.**

THIS DRAWING IS A CONTROLLED DOCUMENT.  
 DIMENSIONING AND TOLERANCING PER GPS (ISO STANDARDS)

DIMENSIONS:  
 MASSEINHEITEN:  
 (MM)

TOLERANCES UNLESS OTHERWISE SPECIFIED:  
 ALLGEMEINTOLERANZEN

0 PLC ±0.2  
 1 PLC ±0.2  
 2 PLC ±  
 3 PLC ±  
 4 PLC ±  
 ANGLES/WINKEL ±2°  
 FINISH/OBERFLAECHE/FARBE

MATERIAL

DWN S. HASS 23SEP2013  
 CHK M. STRELOW 23SEP2013  
 APVD C. SCHRETTINGER 23SEP2013

PRODUCT SPEC  
 PRODUKTSPEZ.  
 108-94207

APPLICATION SPEC  
 VERARBEITUNGSSPEZ.

WEIGHT  
 GEWICHT  
 162.7g

Customer Drawing

**STE** TE Connectivity

NAME  
 VARIANT 14, COUPLER PLUG AND JACK  
 VARIANTE 14, VERBINDER PLUG UND JACK  
 CAT5e, 8POS. VS. SIDE EXIT 90°

SIZE A2  
 CAGE CODE 00779  
 DRAWING NO. ZEICHNUNGS-NR. C-2120875

RESTRICTED TO NUR FUER

SCALE MASSSTAB 2:1  
 SHEET BLATT 6 OF 9  
 REV B2

Size ISO 14405 (E)

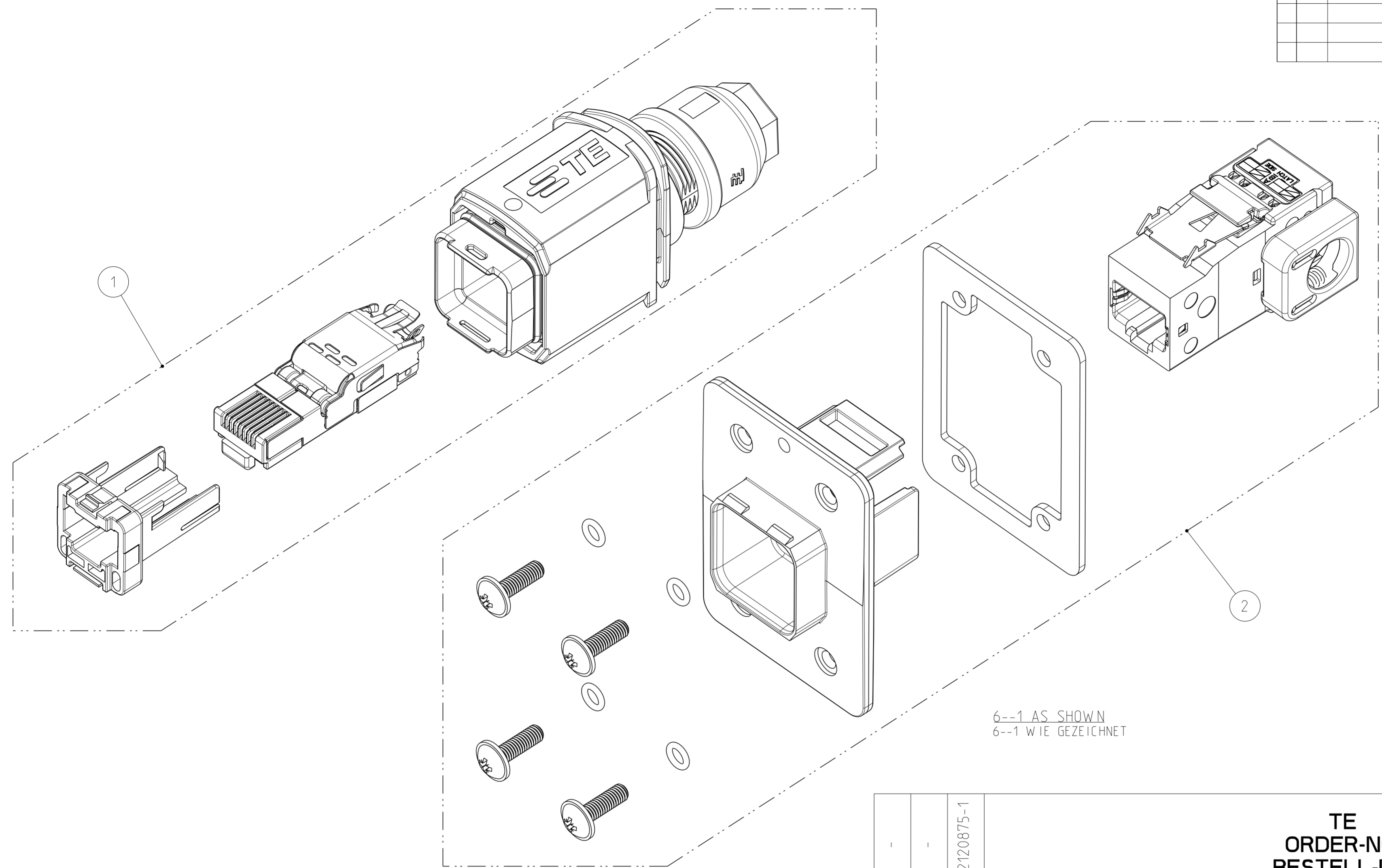
THIS DRAWING IS UNPUBLISHED  
 VERTRÄULICHE UNVERÖFFENTLICHTE ZEICHNUNG  
 © COPYRIGHT 2014 Tyco Electronics AMP GmbH

RELEASED FOR PUBLICATION  
 FREI FUER VERÖFFENTLICHUNG  
 2014  
 ALL RIGHTS RESERVED.  
 ALLE RECHTE VORBEHALTEN.

MATED WITH:  
 PASSEND ZU:

PROJEKT NR.:  
 PRJ-13-000001658

P		LTR	DESCRIPTION	DATE	DWN	APVD
		-	SEE SHEET 1	-	-	-
REVISIONS ÄNDERUNGEN DESCRIPTION BESCHREIBUNG						



6--1 AS SHOWN  
 6--1 WIE GEZEICHNET

- 1 PACKAGING:  
 - EACH SET PACKED INTO SEPARATE BLISTER PACKAGING  
 - SINGLE BLISTER PACKAGING PACKED TOGETHER INTO FOLDING BOX
- 2 MOUNTING PROCESS SEE RESPECTIVE INSTRUCTION SHEET

- 1 VERPACKUNG:  
 - JEDES SET IN BLISTERVERPACKUNG VERPACKT  
 - BLISTERVERPACKUNG IN FALTSCHACHEL VERPACKT
- 2 MONTAGEVORGANG SIEHE JEWEILIGE MONTAGEANWEISUNG

QUANTITY STUECK	ITEM-NO. POS.	PN	DESCRIPTION BENENNUNG	SURFACE OBERFLAECHE COLOUR/FARBE	MATERIAL		
-	-	1	2	4-2120871-1	VARIANT 14, JACK METAL WITH RJ45 CAT6, SIDE EXIT 90° VARIANTE 14, JACK METALL MIT RJ45 CAT6, SEITLICHER AUSGANG 90°	-	-
-	-	1	1	4-2120864-1	VARIANT 14, PLUG METAL WITH RJ45 CAT5e; 4POS. VARIANTE 14, PLUG METALL MIT RJ45 CAT5e; 4POL.	-	-

**TE**  
**ORDER-NO.**  
**BESTELL-NR.**

THIS DRAWING IS A CONTROLLED DOCUMENT.  
 DIMENSIONING AND TOLERANCING PER GPS (ISO STANDARDS)

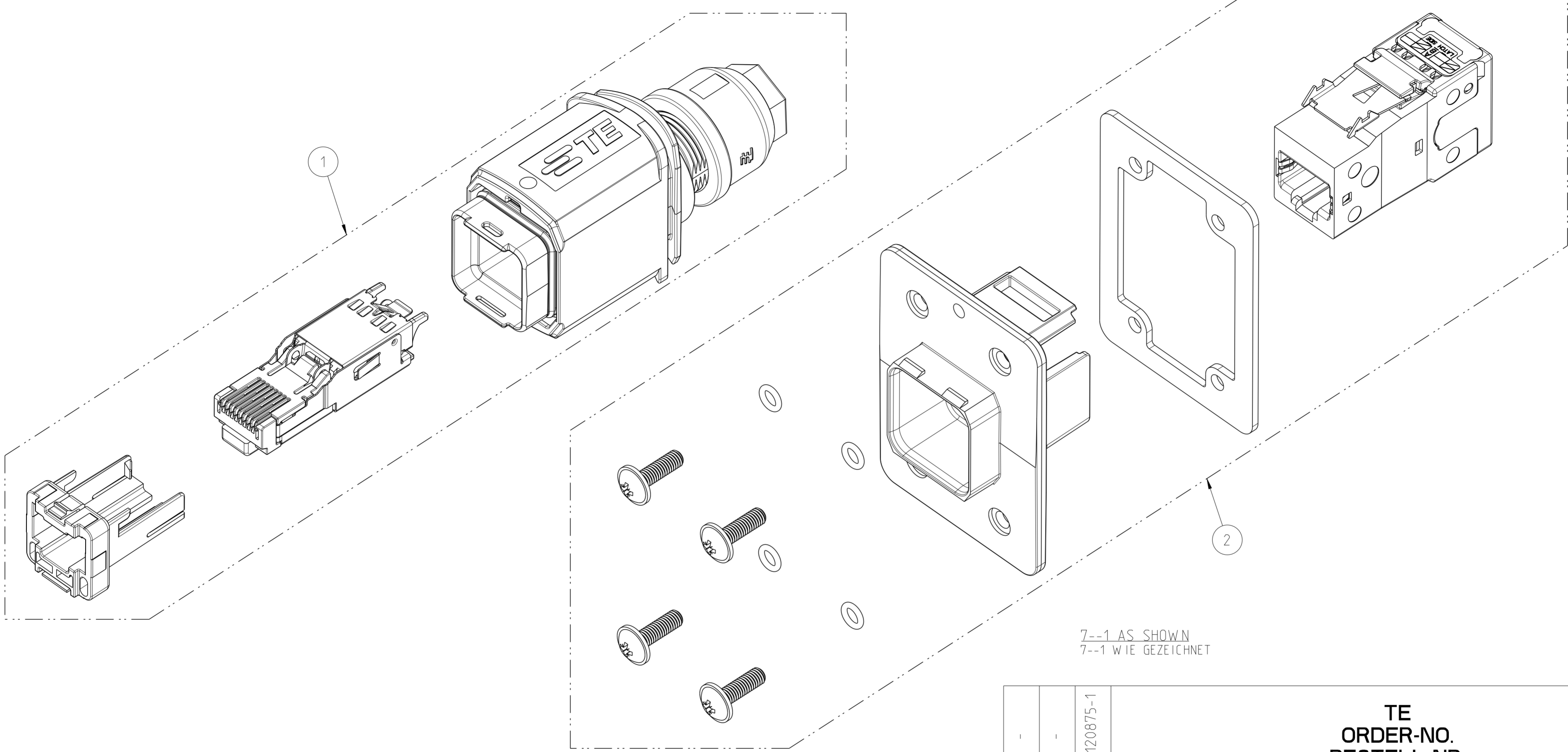
DIMENSIONS: MASSEINHEITEN: (MM)	TOLERANCES UNLESS OTHERWISE SPECIFIED: ALLGEMEINTOLERANZEN
0 PLC	±0.2
1 PLC	±0.2
2 PLC	±
3 PLC	±
4 PLC	±
ANGLES/WINKEL	±2°
FINISH/OBERFLAECHE/FARBE	-

DWN S. HASS	23SEP2013	<b>STE</b> TE Connectivity
CHK M. STRELOW	23SEP2013	
APVD C. SCHREITLINGER	23SEP2013	
PRODUCT SPEC 108-94207		
NAME	VARIANT 14, COUPLER PLUG AND JACK VARIANTE 14, VERBINDER PLUG UND JACK CAT5e, 4POS. VS. SIDE EXIT 90°	
SIZE	CAGE CODE	DRAWING NO. ZEICHNUNGS-NR.
A2	00779	C-2120875
WEIGHT GEWICHT	162.7g	RESTRICTED TO NUR FUER
Customer Drawing	/KUNDENZEICHNUNG	SCALE MASSSTAB
	2:1	SHEET BLATT
	7 OF 9	REV B2

Size ISO 14405 (E)



P	LTR	DESCRIPTION	DATE	DWN	APVD
-	-	SEE SHEET 1	-	-	-



7--1 AS SHOWN  
7--1 WIE GEZEICHNET

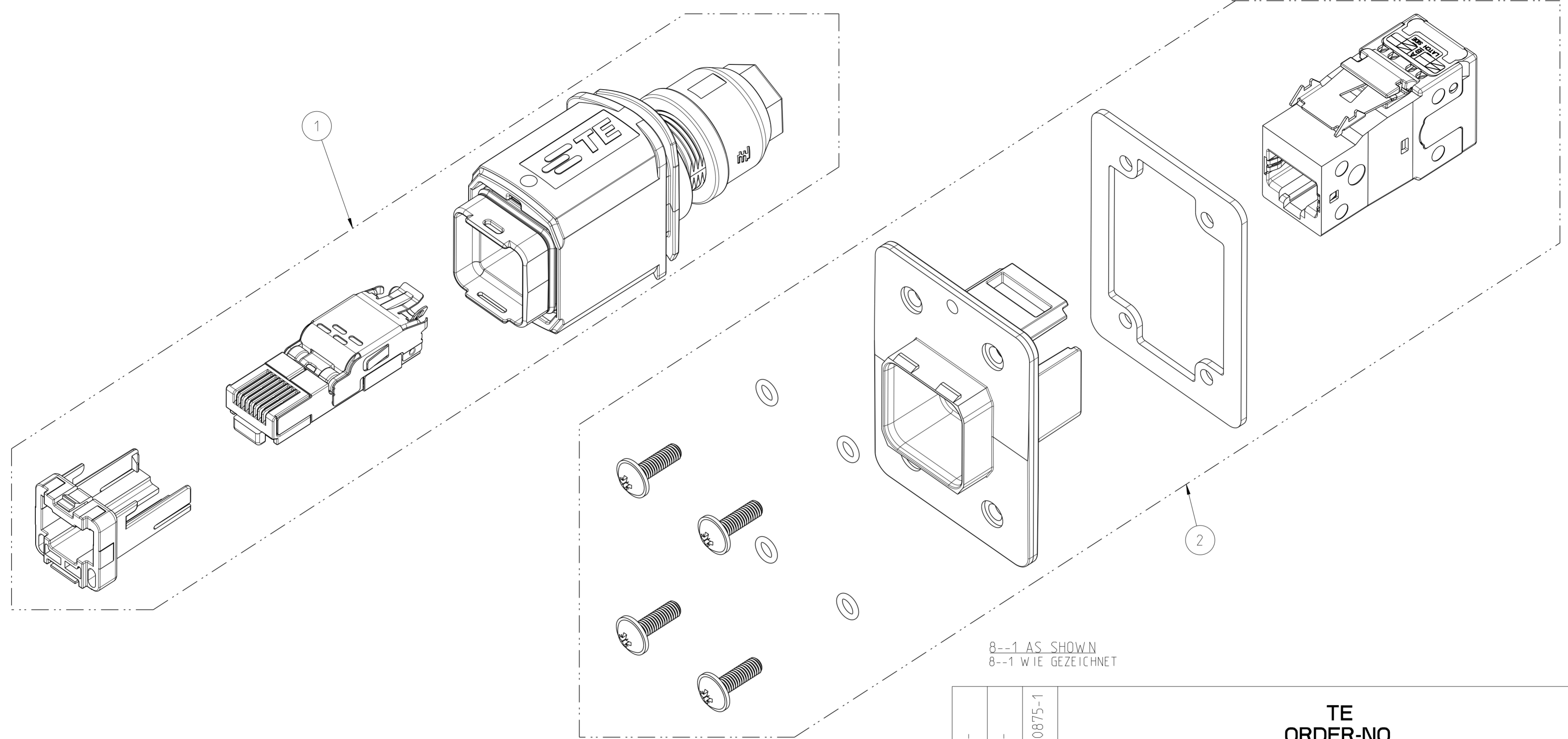
- 1 PACKAGING:  
 - EACH SET PACKED INTO SEPARATE BLISTER PACKAGING  
 - SINGLE BLISTER PACKAGING PACKED TOGETHER INTO FOLDING BOX
- 2 MOUNTING PROCESS SEE RESPECTIVE INSTRUCTION SHEET

- 1 VERPACKUNG:  
 - JEDES SET IN BLISTERVERPACKUNG VERPACKT  
 - BLISTERVERPACKUNG IN FALTSCHACHEL VERPACKT
- 2 MONTAGEVORGANG SIEHE JEWEILIGE MONTAGEANWEISUNG

Size ISO 14405 (E)

7-2120875-1		<b>TE</b> ORDER-NO. BESTELL-NR.					
-	-	1	2	5-2120871-1	VARIANT 14, JACK METAL, CAT6, EXIT 180° VARIANTE 14, JACK METALL, CAT6, 180° AUSGANG	-	-
-	-	1	1	2120864-1	VARIANT 14, PLUG WITH RJ45 CAT5e VARIANTE 14, PLUG MIT RJ45 CAT5e	-	-
QUANTITY STUECK	ITEM-NO. POS.	PN		DESCRIPTION BENENNUNG	SURFACE OBERFLAECHE	MATERIAL	
THIS DRAWING IS A CONTROLLED DOCUMENT. DIMENSIONING AND TOLERANCING PER GPS (ISO STANDARDS).					DWN S. HASS	23SEP2013	
DIMENSIONS: MASSE IN HEI TEN: (MM)					CHK M. STRELOW	23SEP2013	
TOLERANCES UNLESS OTHERWISE SPECIFIED: ALLGEMEINTOLERANZEN					APVD C. SCHREITLINGER	23SEP2013	
0 PLC ±0.2					NAME VARIANT 14, COUPLER PLUG AND JACK		
1 PLC ±0.2					VARIANTE 14, VERBINDER PLUG UND JACK		
2 PLC ±					CAT5e, 8POS. GIGABIT VS. CAT6, EXIT 180°		
3 PLC ±					SIZE		
4 PLC ±					CAGE CODE		
ANGLES/WINKEL ±2°					DRAWING NO. ZEICHNUNGS-NR.		
FINISH/OBERFLAECHE/FARBE					RESTRICTED TO NUR FUER		
MATERIAL					WEIGHT GEWICHT		
-					146.5g		
-					A2100779		
-					Customer Drawing		
					/KUNDENZEICHNUNG		
					SCALE MASSSTAB		2:1
					SHEET BLATT		8 OF 9
					REV		B2

P		LTR	REVISIONS ÄNDERUNGEN	DATE	DWN	APVD
			DESCRIPTION BESCHREIBUNG			
-	-	-	SEE SHEET 1	-	-	-



8--1 AS SHOWN  
 8--1 WIE GEZEICHNET

- 1 PACKAGING:  
 - EACH SET PACKED INTO SEPARATE BLISTER PACKAGING  
 - SINGLE BLISTER PACKAGING PACKED TOGETHER INTO FOLDING BOX
- 2 MOUNTING PROCESS SEE RESPECTIVE INSTRUCTION SHEET

- 1 VERPACKUNG:  
 - JEDES SET IN BLISTERVERPACKUNG VERPACKT  
 - BLISTERVERPACKUNG IN FALTSCHACHTEL VERPACKT
- 2 MONTAGEVORGANG SIEHE JEWEILIGE MONTAGEANWEISUNG

Size ISO 14405 (E)

8-2120875-1		TE ORDER-NO. BESTELL-NR.					
-	-	1	2	5-2120871-1	VARIANT 14, JACK METAL. CAT6, EXIT 180° VARIANTE 14, JACK METALL, CAT6, 180° AUSGANG	-	-
-	-	1	1	4-2120864-1	VARIANT 14, PLUG METAL WITH RJ45 CAT5e; 4POS. VARIANTE 14, PLUG METALL MIT RJ45 CAT5e; 4POL.	-	-
QUANTITY STUECK	ITEM-NO. POS.	PN		DESCRIPTION BENENNUNG		SURFACE OBERFLAECHE	MATERIAL
						COLOUR/FARBE	
THIS DRAWING IS A CONTROLLED DOCUMENT. DIMENSIONING AND TOLERANCING PER GPS (ISO STANDARDS)				DWN S. HASS	23SEP2013		
DIMENSIONS: MASSEINHEITEN: (MM)				CHK M. STRELOW	23SEP2013		
TOLERANCES UNLESS OTHERWISE SPECIFIED: ALLGEMEINTOLERANZEN				APVD C. SCHREITLINGER	NAME	VARIANT 14, COUPLER PLUG AND JACK VARIANTE 14, VERBINDER PLUG UND JACK	
0 PLC ±0.2 1 PLC ±0.2 2 PLC ± 3 PLC ± 4 PLC ±				PRODUCT SPEC 108-94207	APPLICATION SPEC	CAT5e, 4POS. GIGABIT VS. CAT6, EXIT 180°	
ANGLES/WINKEL ±2° FINISH/OBERFLAECHE/FARBE				WEIGHT GEWICHT	146.5g	SIZE A2	CAGE CODE 00779
MATERIAL				DRAWING NO. ZEICHNUNGS-NR. C-2120875		RESTRICTED TO NUR FÜR	
Customer Drawing				/KUNDENZEICHNUNG		SCALE MASSSTAB	2:1
				SHEET BLATT		9	OF VON
				REV		B2	