



Chipsmall Limited consists of a professional team with an average of over 10 year of expertise in the distribution of electronic components. Based in Hongkong, we have already established firm and mutual-benefit business relationships with customers from,Europe,America and south Asia,supplying obsolete and hard-to-find components to meet their specific needs.

With the principle of "Quality Parts,Customers Priority,Honest Operation,and Considerate Service",our business mainly focus on the distribution of electronic components. Line cards we deal with include Microchip,ALPS,ROHM,Xilinx,Pulse,ON,Everlight and Freescale. Main products comprise IC,Modules,Potentiometer,IC Socket,Relay,Connector.Our parts cover such applications as commercial,industrial, and automotives areas.

We are looking forward to setting up business relationship with you and hope to provide you with the best service and solution. Let us make a better world for our industry!



Contact us

Tel: +86-755-8981 8866 Fax: +86-755-8427 6832

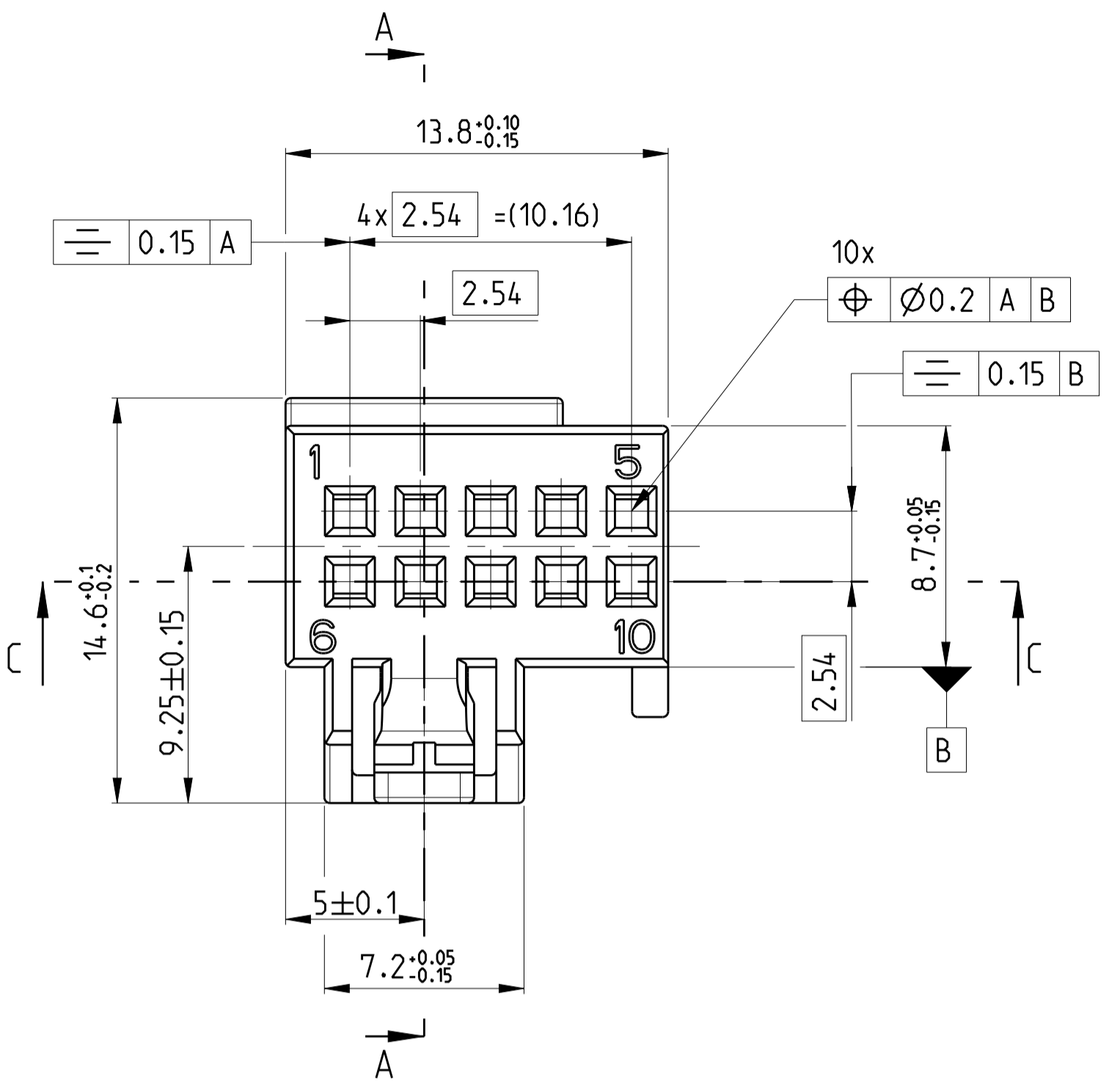
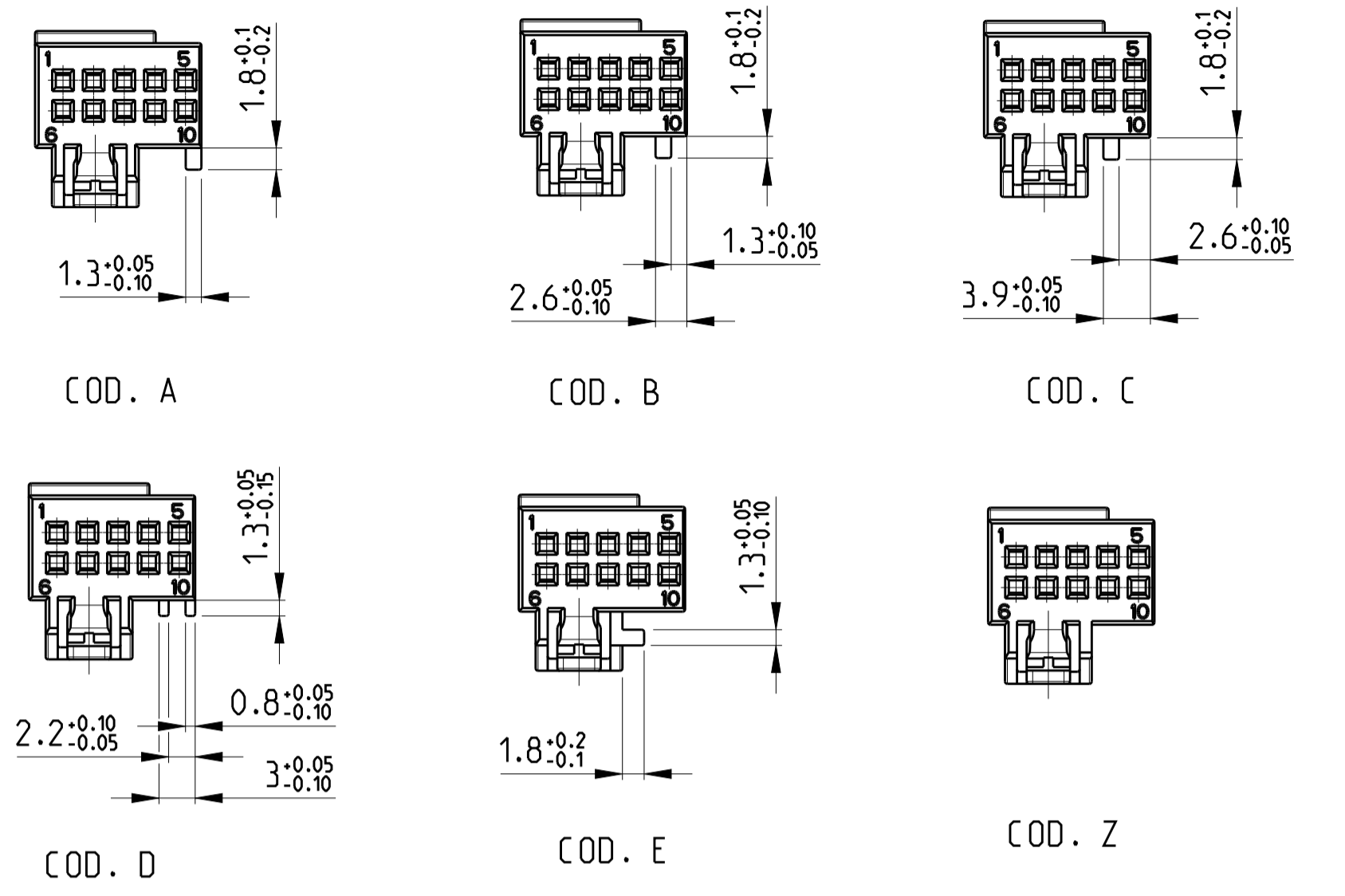
Email & Skype: info@chipsmall.com Web: www.chipsmall.com

Address: A1208, Overseas Decoration Building, #122 Zhenhua RD., Futian, Shenzhen, China

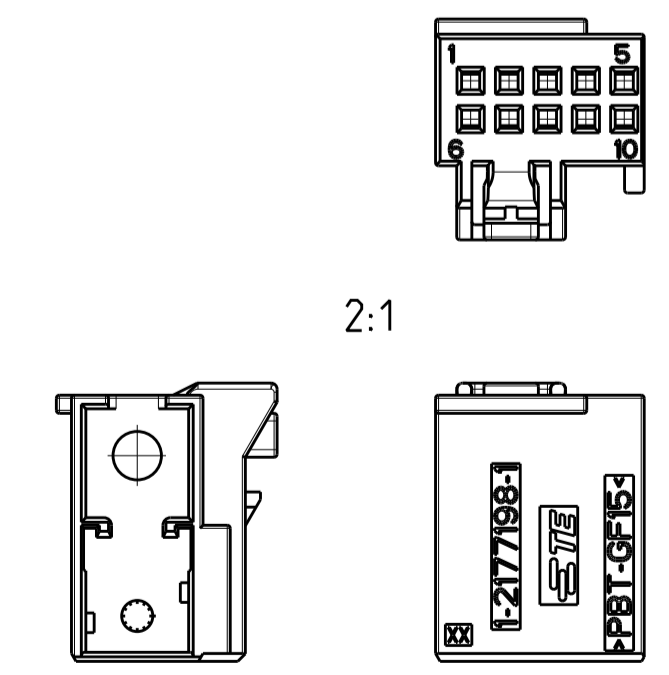
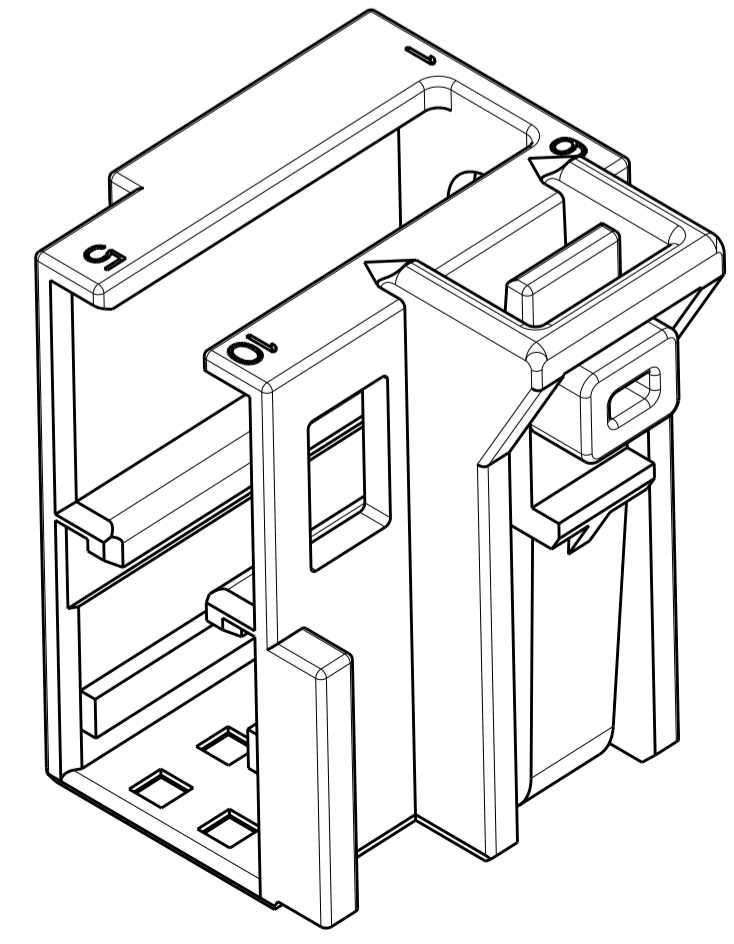
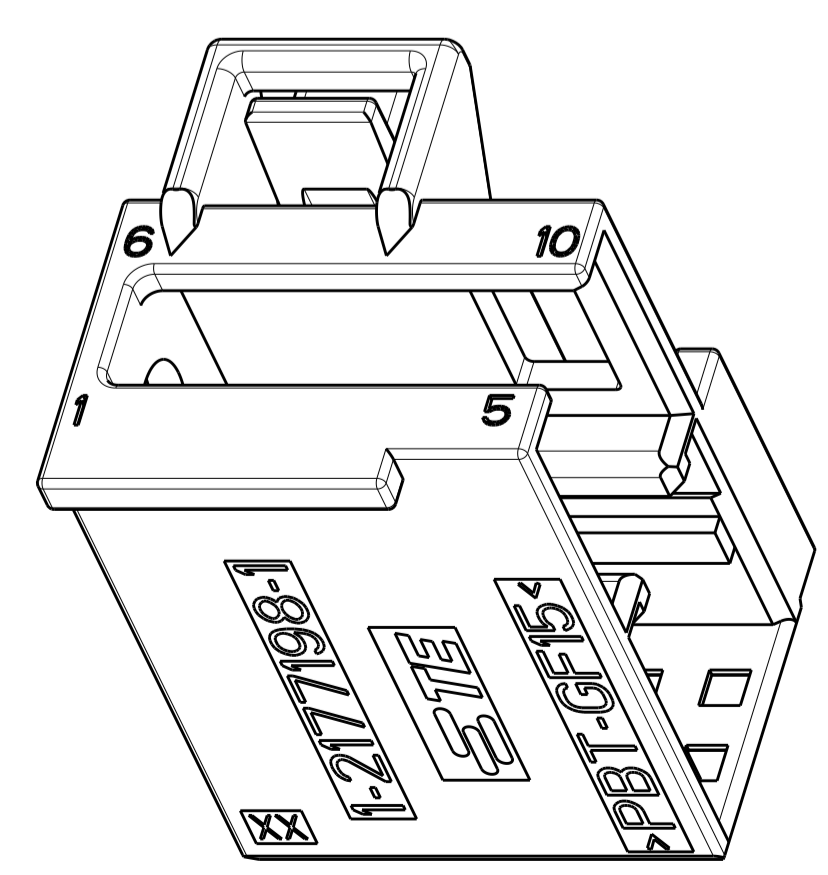
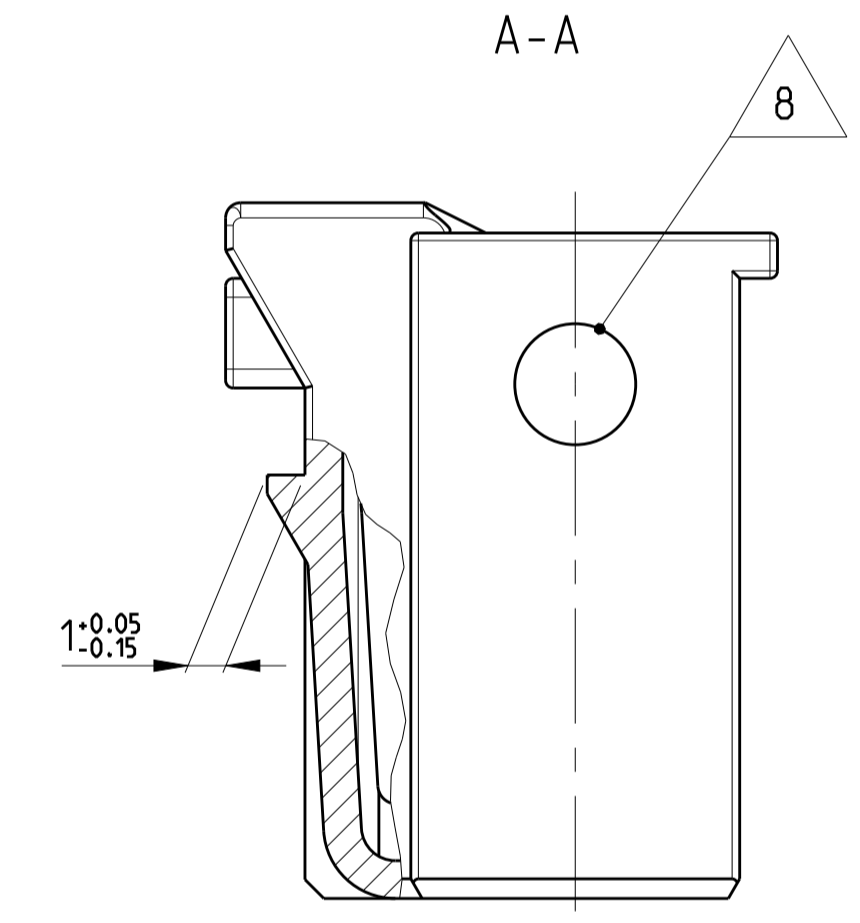
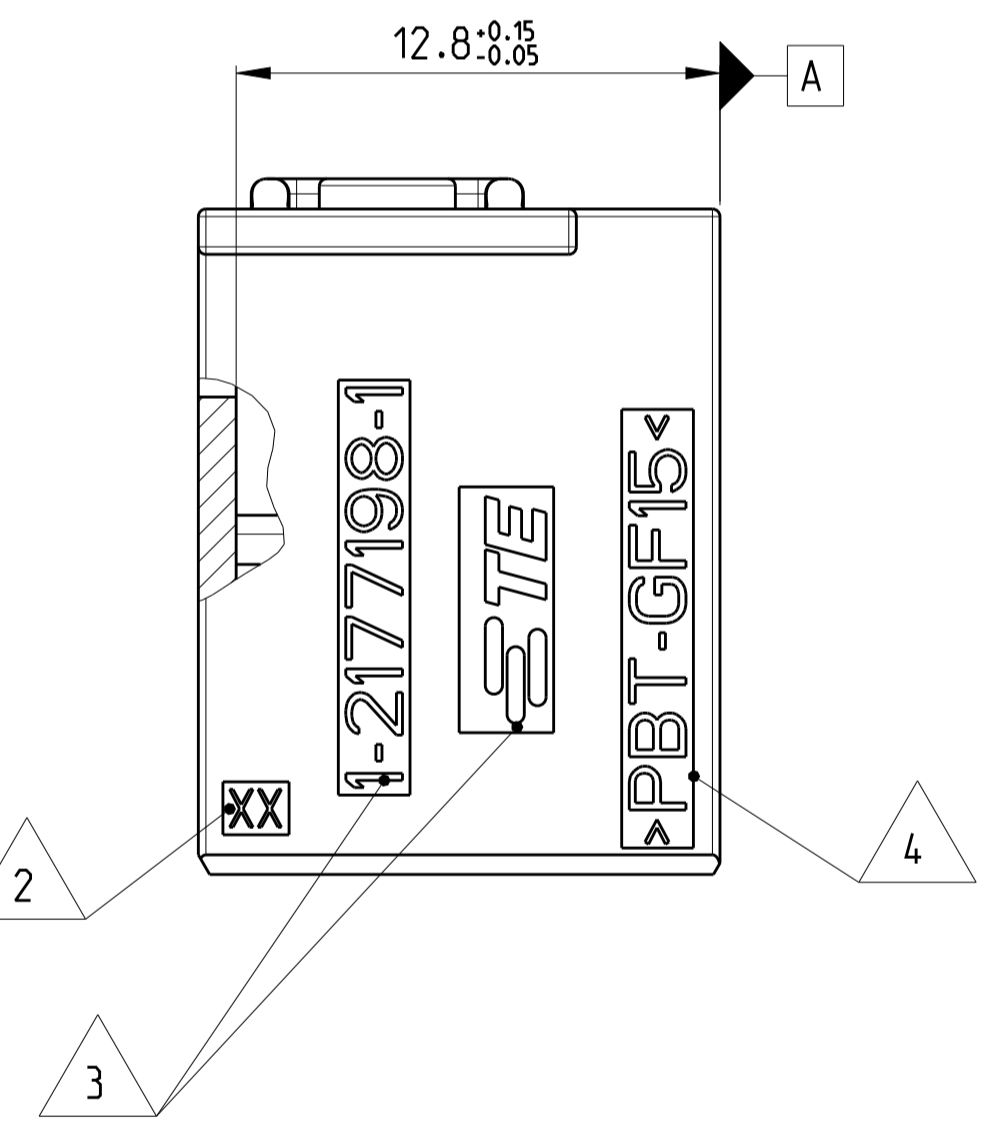
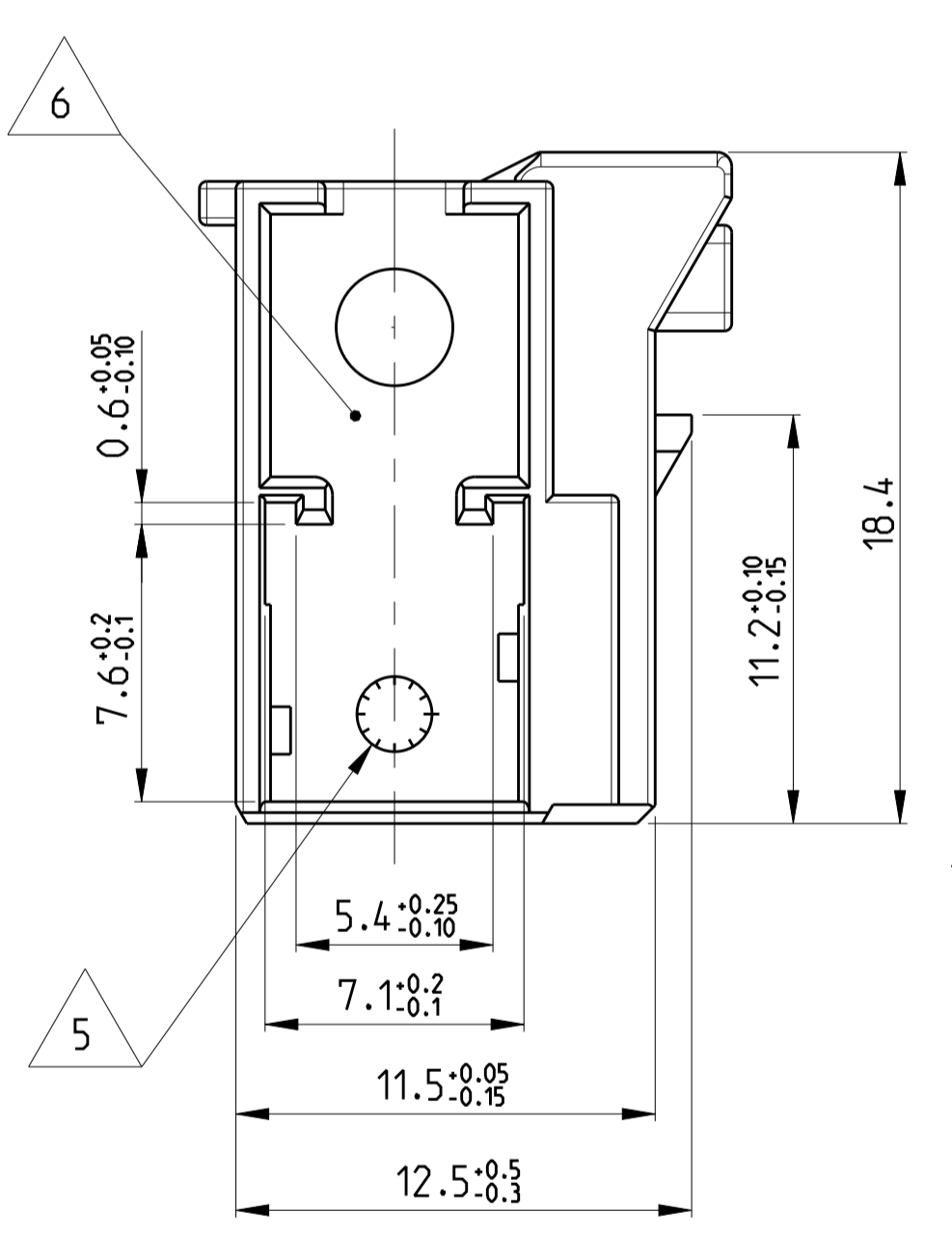
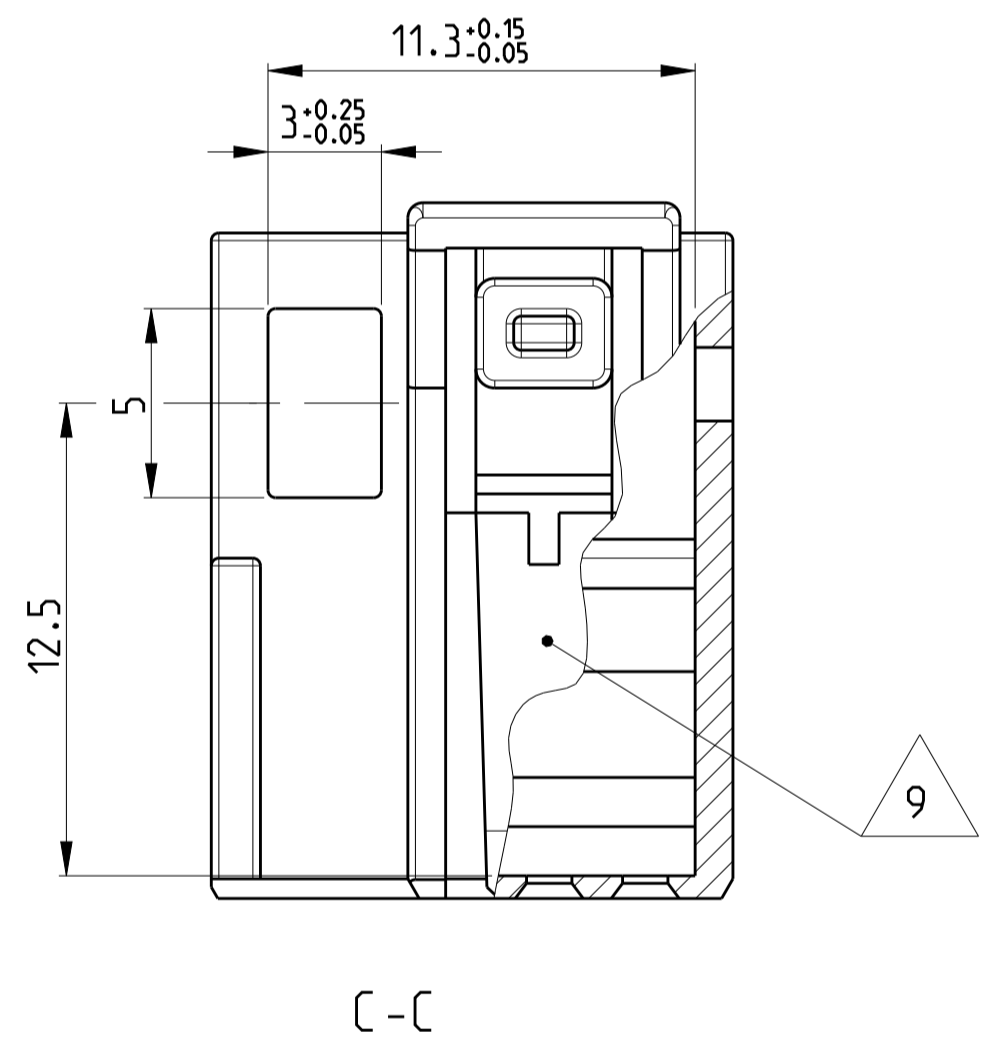


REVISIONS				
P	LTR	DESCRIPTION	DATE	DWN APVD
A1		REVISED PER ECO-13-004307	08MAR2013	DD MB
A2		REVISED PER ECO-16-017603	06DEC2016	DD AH

CODINGS
2:1



- NOTES:**
- 1 CODING 1- -1 AS SHOWN
 - 2 MOULD CAVITY MARKING
 - 3 SUPPLIER MARK
 - 4 MATERIAL IDENTIFICATION
 - 5 DATE CLOCK
 - 6 CAVITIES SUITABLE FOR TE MGS SOCKET HOUSING PN 968562
 - 7 FOR COUNTERPART INTERFACE DRAWING SEE SHEET 2 OF 2
 - 8 THROUGH HOLE NOT RELEVANT FOR FUNCTION OF CONNECTOR, TOOL RETENTION
 - 9 PRESSURE SENSOR NOT RELEVANT FOR FUNCTION OF CONNECTOR



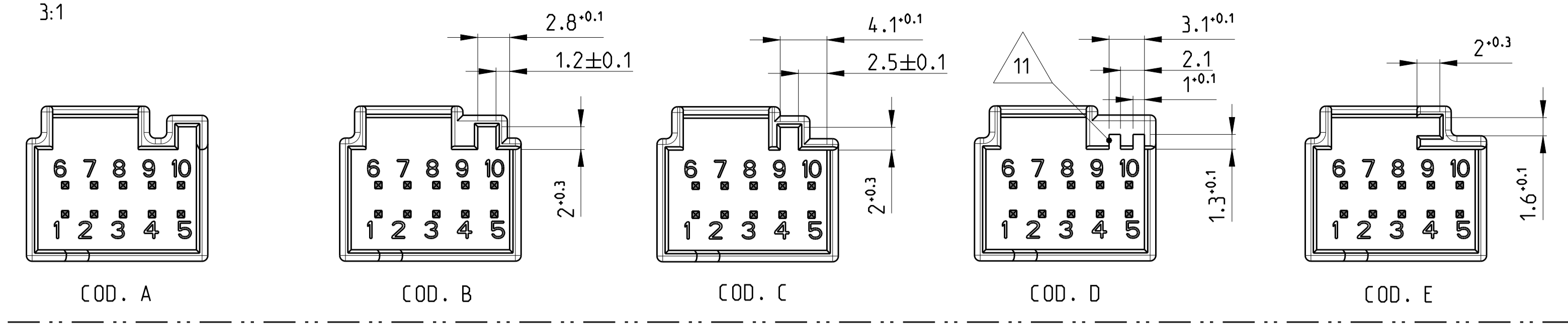
DESCRIPTION	MASS [kg]	COD	TE ORDER NO.	REV.	MATERIAL	SURFACE/COLOUR
COVER, 10POS.	0.00119	Z	9-2177198-1	1	PBT-GF15	WATER BLUE SIMILAR RAL 5021
COVER, 10POS.	0.00121	E	5-2177198-1	1	PBT-GF15	GREEN SIMILAR RAL 6017
COVER, 10POS.	0.00122	D	4-2177198-1	1	PBT-GF15	VIOLET SIMILAR RAL 4004
COVER, 10POS.	0.00121	C	3-2177198-1	1	PBT-GF15	BLUE SIMILAR RAL 5012
COVER, 10POS.	0.00121	B	2-2177198-1	1	PBT-GF15	NATURE
COVER, 10POS.	0.00121	A	1-2177198-2	1	PBT-GF15	CURRY SIMILAR RAL 1027
COVER, 10POS.	0.00121	A	1-2177198-1	1	PBT-GF15	BLACK RAL 9011

THIS DRAWING IS A CONTROLLED DOCUMENT.

DIMENSIONS:	TOLERANCES UNLESS OTHERWISE SPECIFIED:	DWN: M. POLIZZI 05MAY2011	CHK: M. BANAS 05FEB2013	APVD: M. BANAS 14FEB2013
mm	0 PLC ±0.15 1 PLC ±0.10 2 PLC ±0.10 3 PLC ±0.10 4 PLC ±0.10 ANGLES ±2°	NAME: M. BANAS		
MATERIAL: SEE TABLE	SEE TABLE	WEIGHT: SEE TABLE	SIZE: A1	RESTRICTED TO: -
CUSTOMER DRAWING		SCALE: 5:1	SHEET: 1 OF 2	REV: A2

STE TE Connectivity
 COVER, 10 POSITION MICRO QUADLOCK SYSTEM

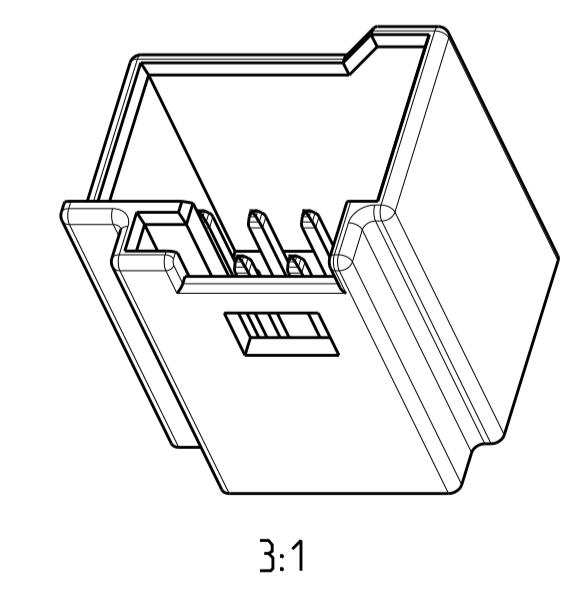
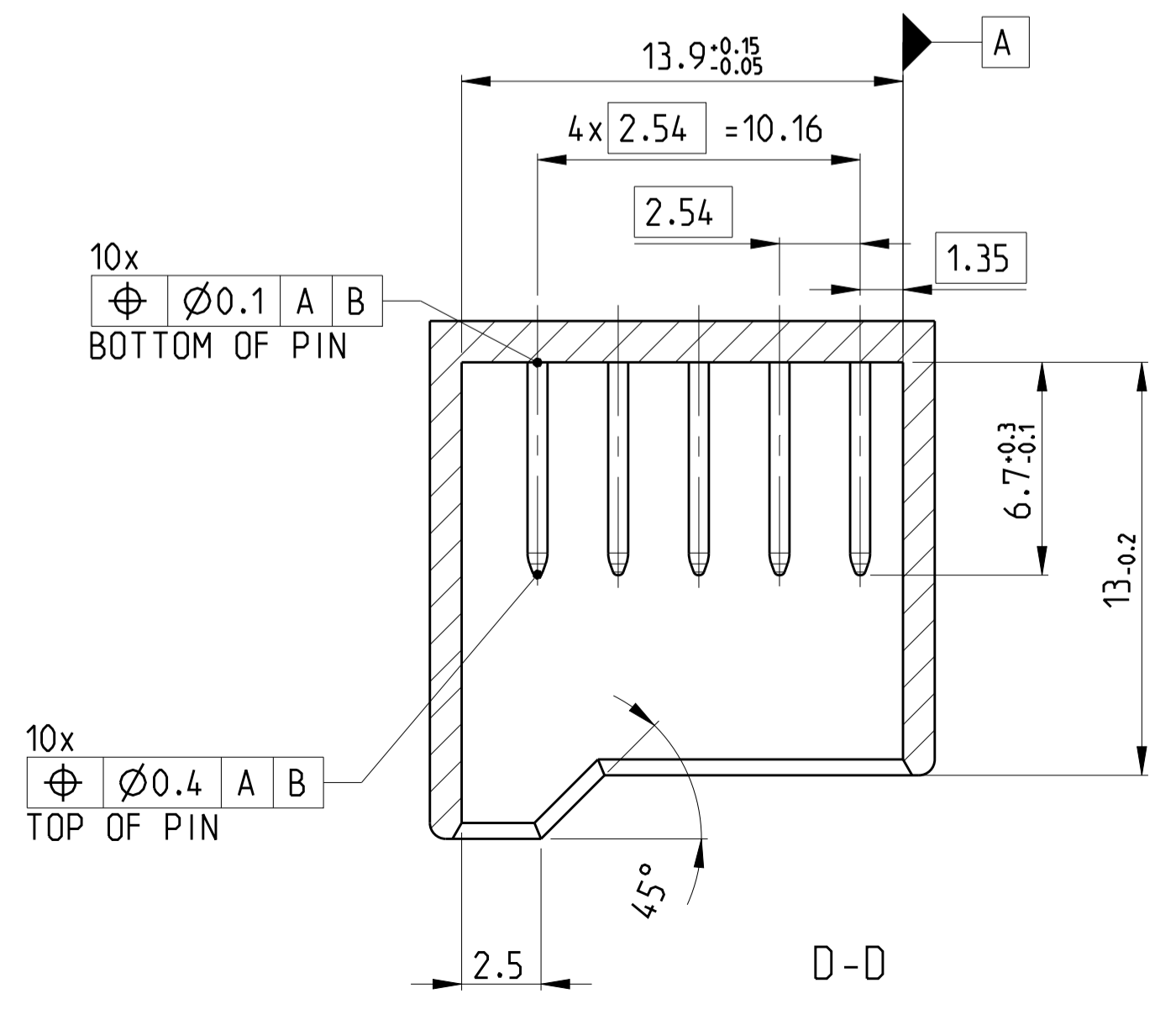
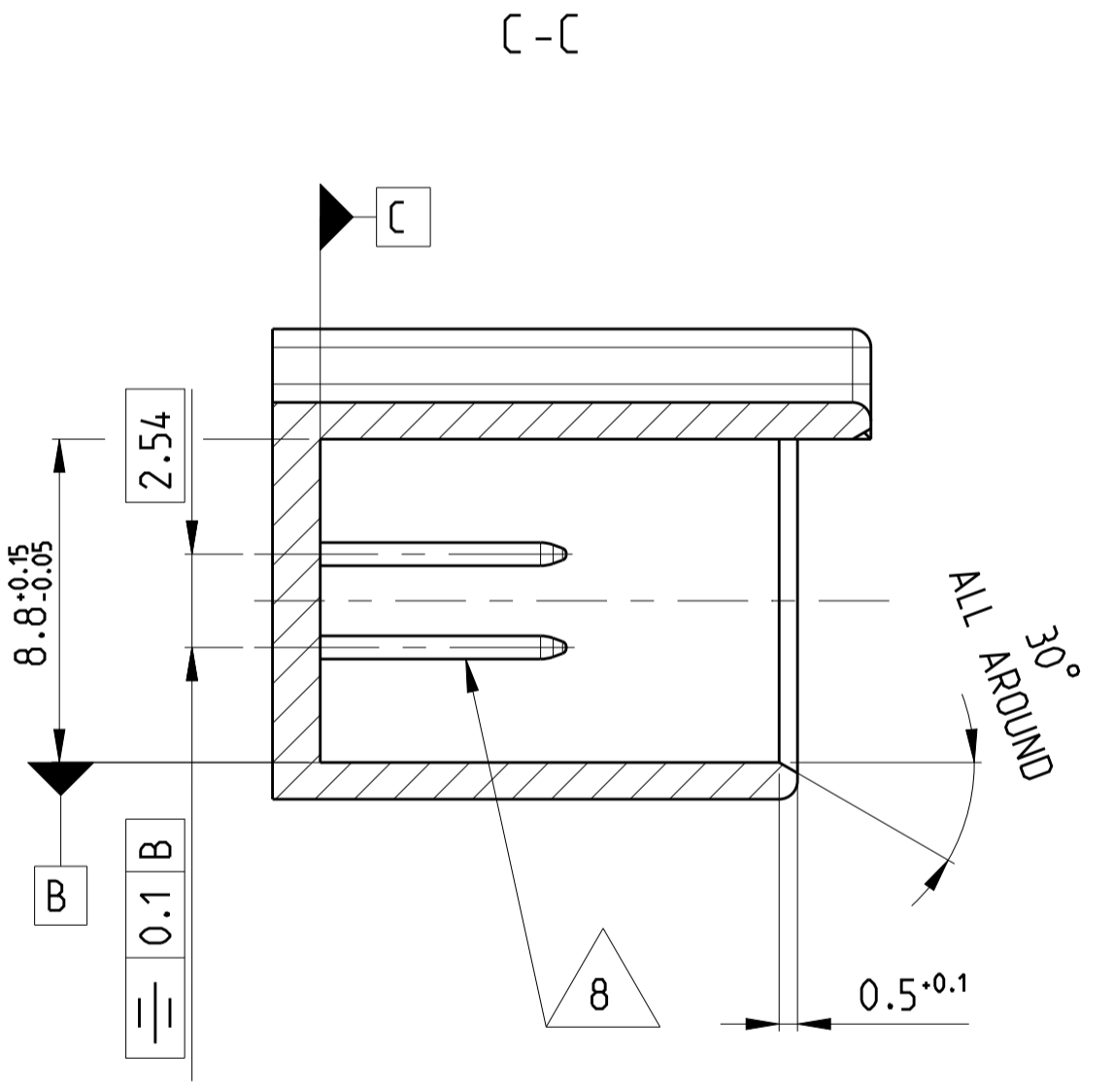
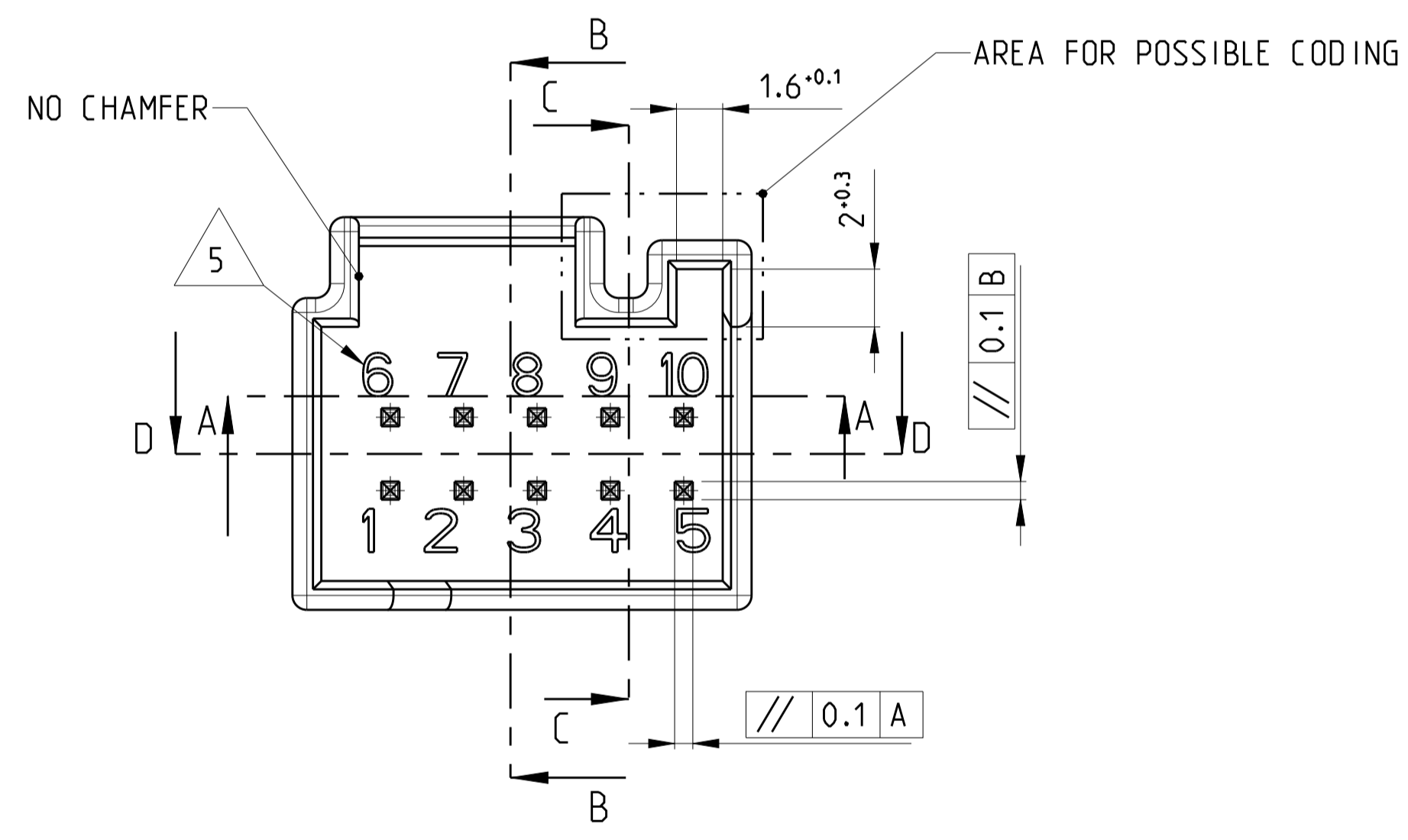
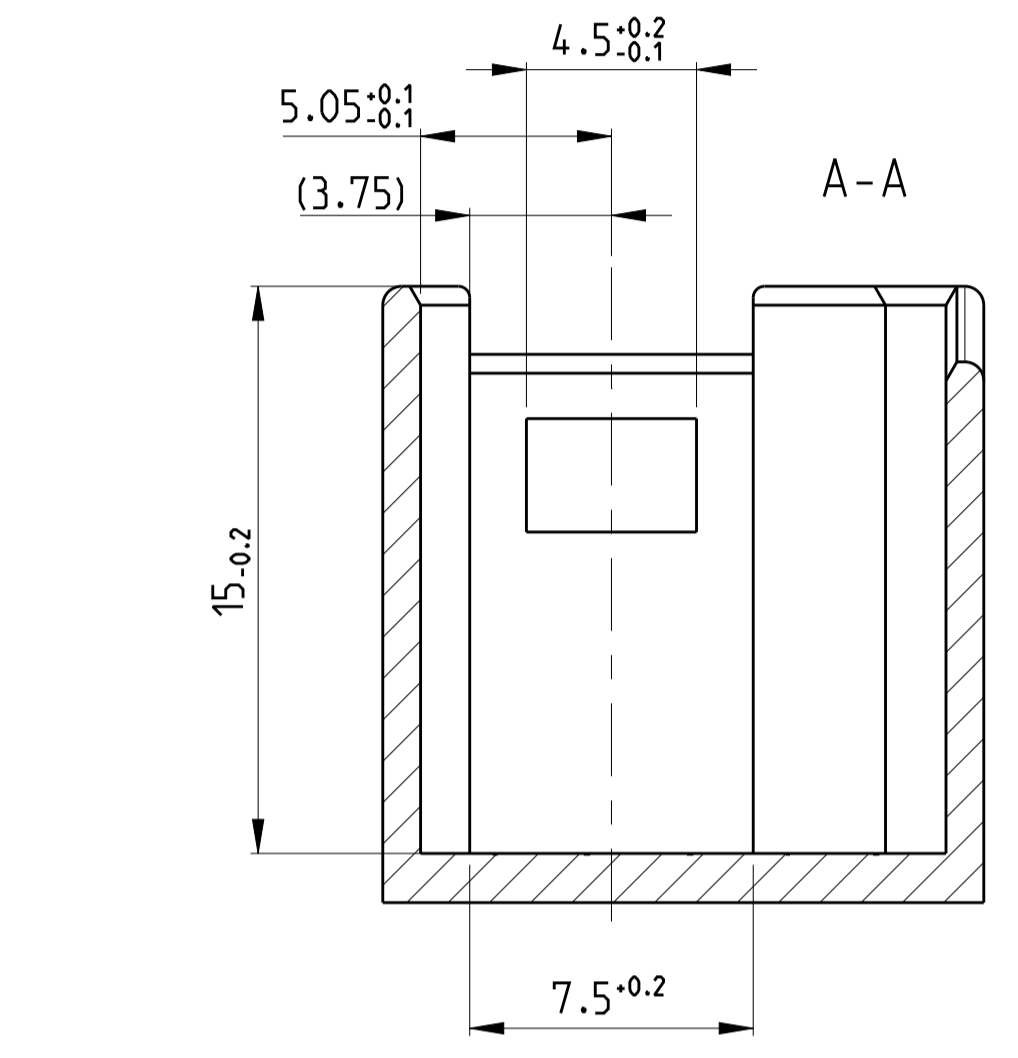
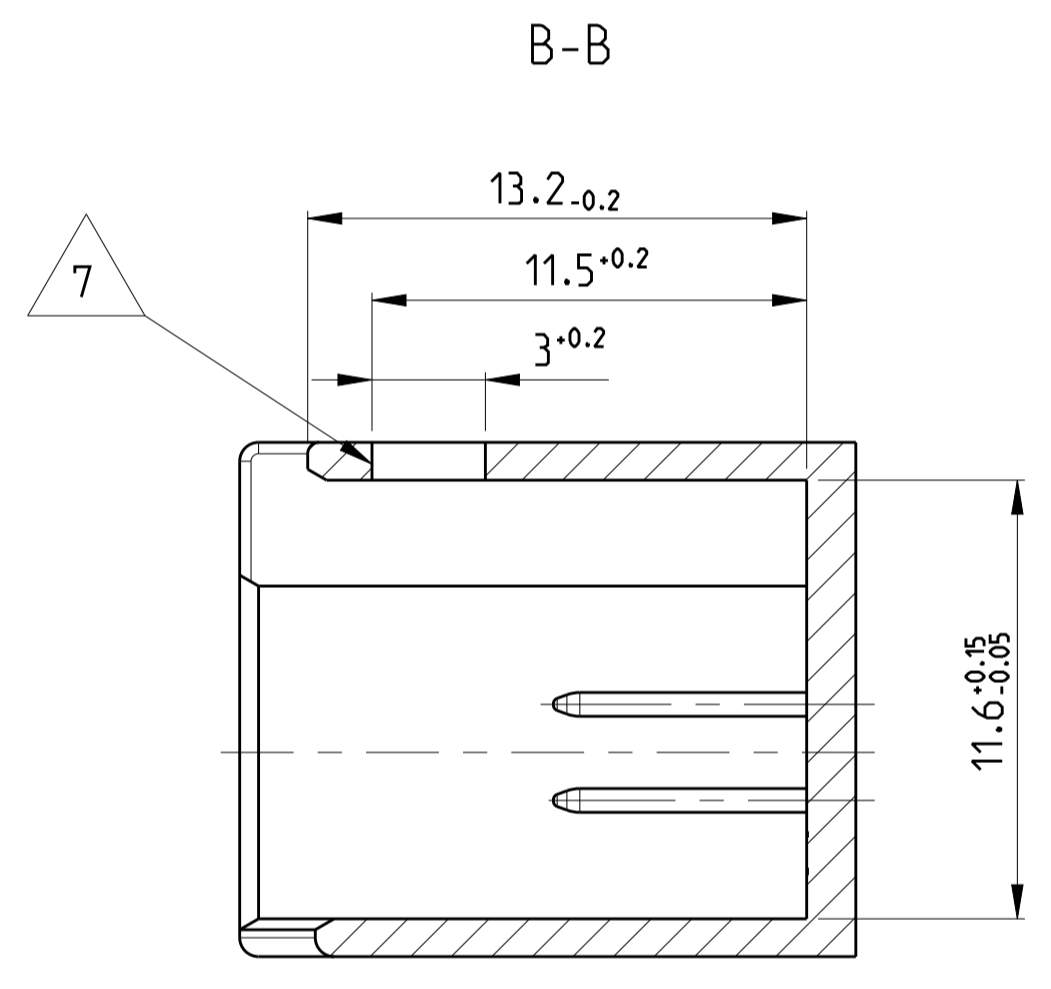
CODINGS
3:1



REVISIONS				
P	LTR	DESCRIPTION	DATE	APPV
-	-	SEE SHEET 1	-	-

NOTES:

- CODING A AS SHOWN
- REFERENCES [A], [B], FOR CENTERLINE DEFINITION 1 mm ABOVE REFERENCE [C]
- ALL SYMMETRIC DIMENSIONS $\equiv 0.05 \text{ } \text{C}$
- NO SPECIFIED RADII R0.5 mm
- CAVITY MARKING, CHARACTERS DEEP
- NO SPECIFIED WALL THICKNESS MIN. 1 mm
- IN THIS AREA MAX. 0.03 mm BURRS PERMITTED
- SPECIFICATION OF CONTACT PIN No 114-18063
- HEADER MATERIAL: PBT-GF10
- COUNTERPART SUITABLE FOR 10 POSITIONS MQS SOCKET HOUSING TE PN 2177198
- CODING AREA WITHOUT CHAMFER



THIS DRAWING IS A CONTROLLED DOCUMENT.		DWN: M. POLIZZI 05MAY2011	TE Connectivity
DIMENSIONS: mm		CHK: M. BANAS 05FEB2013	
TOLERANCES UNLESS OTHERWISE SPECIFIED:		APVD: M. BANAS 14FEB2013	NAME: COVER, 10 POSITION MICRO QUADLOCK SYSTEM
0 PLC	±0.15	PRODUCT SPEC	SIZE: CAGE CODE: DRAWING NO: RESTRICTED TO
1 PLC	±0.10	108-20319	A1 00779 C=2177198
2 PLC	±0.10	APPLICATION SPEC	SCALE: 5:1 SHEET 2 OF 2 REV: A2
3 PLC	±0.10		
4 PLC	±0.10		
ANGLES	±0.2°	WEIGHT: SEE TABLE	
MATERIAL	SEE TABLE	CUSTOMER DRAWING	