



Chipsmall Limited consists of a professional team with an average of over 10 year of expertise in the distribution of electronic components. Based in Hongkong, we have already established firm and mutual-benefit business relationships with customers from,Europe,America and south Asia,supplying obsolete and hard-to-find components to meet their specific needs.

With the principle of “Quality Parts,Customers Priority,Honest Operation,and Considerate Service”,our business mainly focus on the distribution of electronic components. Line cards we deal with include Microchip,ALPS,ROHM,Xilinx,Pulse,ON,Everlight and Freescale. Main products comprise IC,Modules,Potentiometer,IC Socket,Relay,Connector.Our parts cover such applications as commercial,industrial, and automotives areas.

We are looking forward to setting up business relationship with you and hope to provide you with the best service and solution. Let us make a better world for our industry!



## Contact us

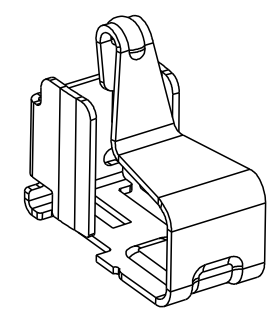
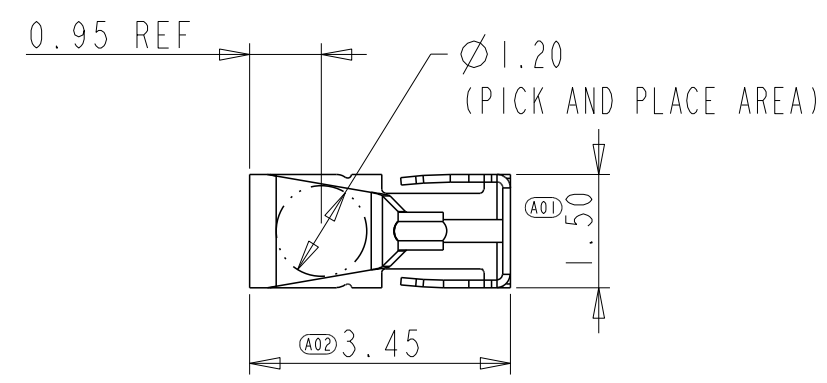
Tel: +86-755-8981 8866 Fax: +86-755-8427 6832

Email & Skype: info@chipsmall.com Web: www.chipsmall.com

Address: A1208, Overseas Decoration Building, #122 Zhenhua RD., Futian, Shenzhen, China

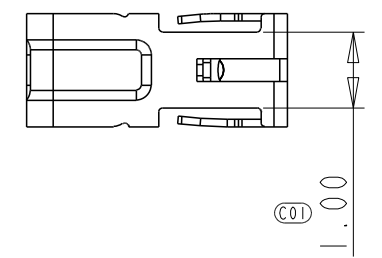
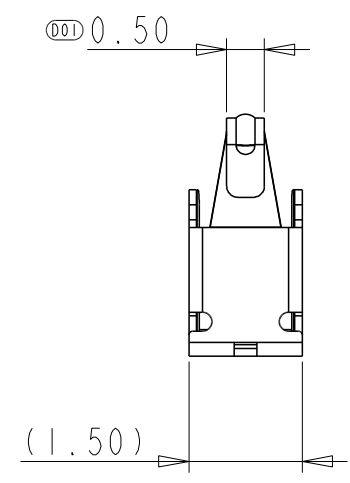
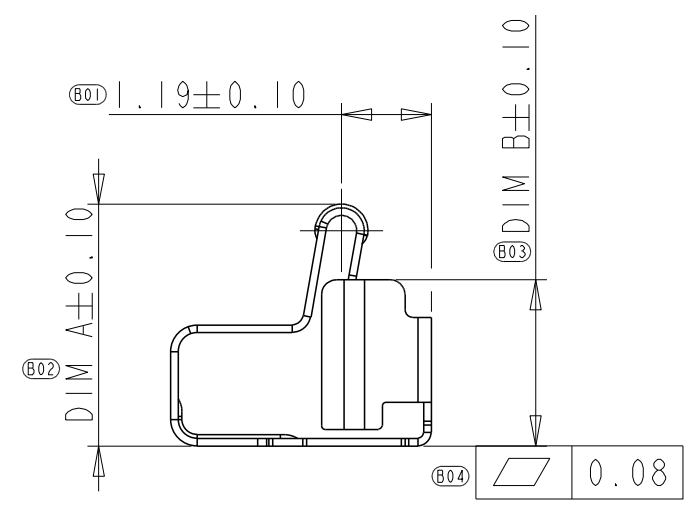


| LOC | DIST | REVISIONS     |           |      |      |
|-----|------|---------------|-----------|------|------|
| P   | LTR  | DESCRIPTION   | DATE      | DWN  | APVD |
| ES  | 00   |               |           |      |      |
|     | A    | RELEASED      | 23JUL2014 | J. J | W. H |
|     | A1   | ECR-15-004731 | 20APR2015 | T. Q | W. H |

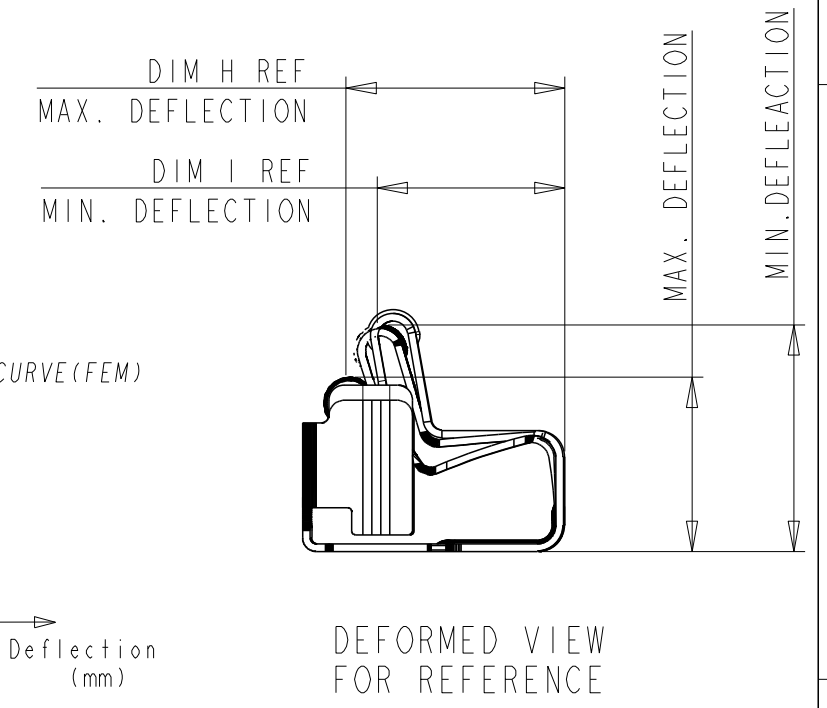
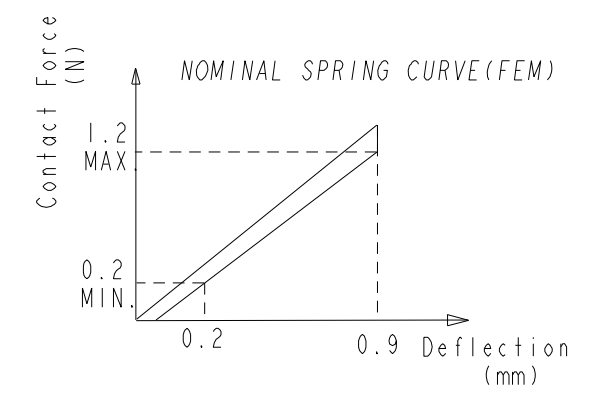
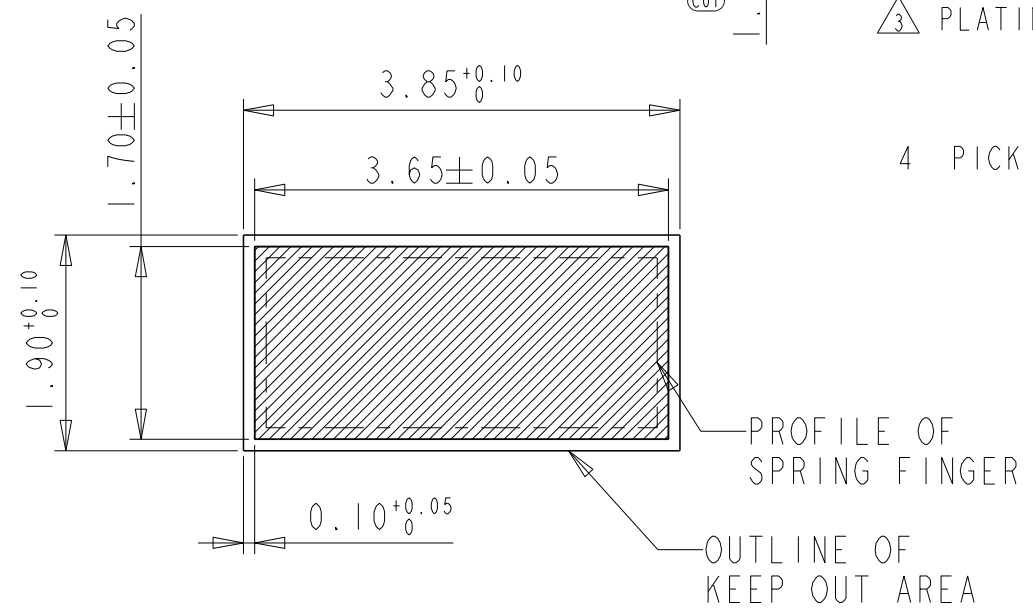


3D VIEW ONLY FOR REFERENCE

| TE P/N      | DIM A | DIM B | DIM H | DIM I | WORK RANGE | QUANTITY |
|-------------|-------|-------|-------|-------|------------|----------|
| 3-2199250-2 | 2.9   | 1.9   | 2.86  | 2.44  | 2.0~2.7    | 5000     |
| 3-2199250-3 | 3.2   | 2.2   | 2.87  | 2.44  | 2.3~3.0    | 4400     |
| 3-2199250-4 | 3.6   | 2.6   | 2.92  | 2.45  | 2.7~3.3    | 3000     |
| 3-2199250-5 | 3.8   | 2.8   | 2.95  | 2.46  | 2.9~3.6    | 3000     |

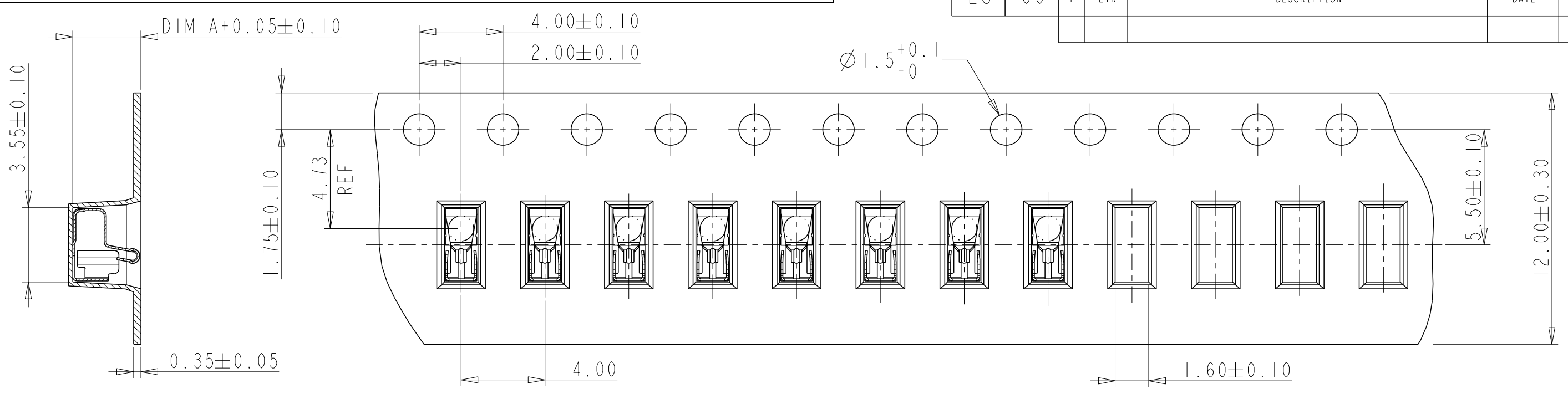


- PART NUMBER: SEE TABLE.
- MATERIAL: COPPER ALLOY, THICKNESS=0.10MM.
- PLATING: 2um MIN. NICKEL UNDERLAYER ALL OVER 0.50um MIN. GOLD ON CONTACT SURFACE GOLD FLASH ON SOLDERING SURFACE
- PICK AND PLACE SURFACE Ø1.2MM.

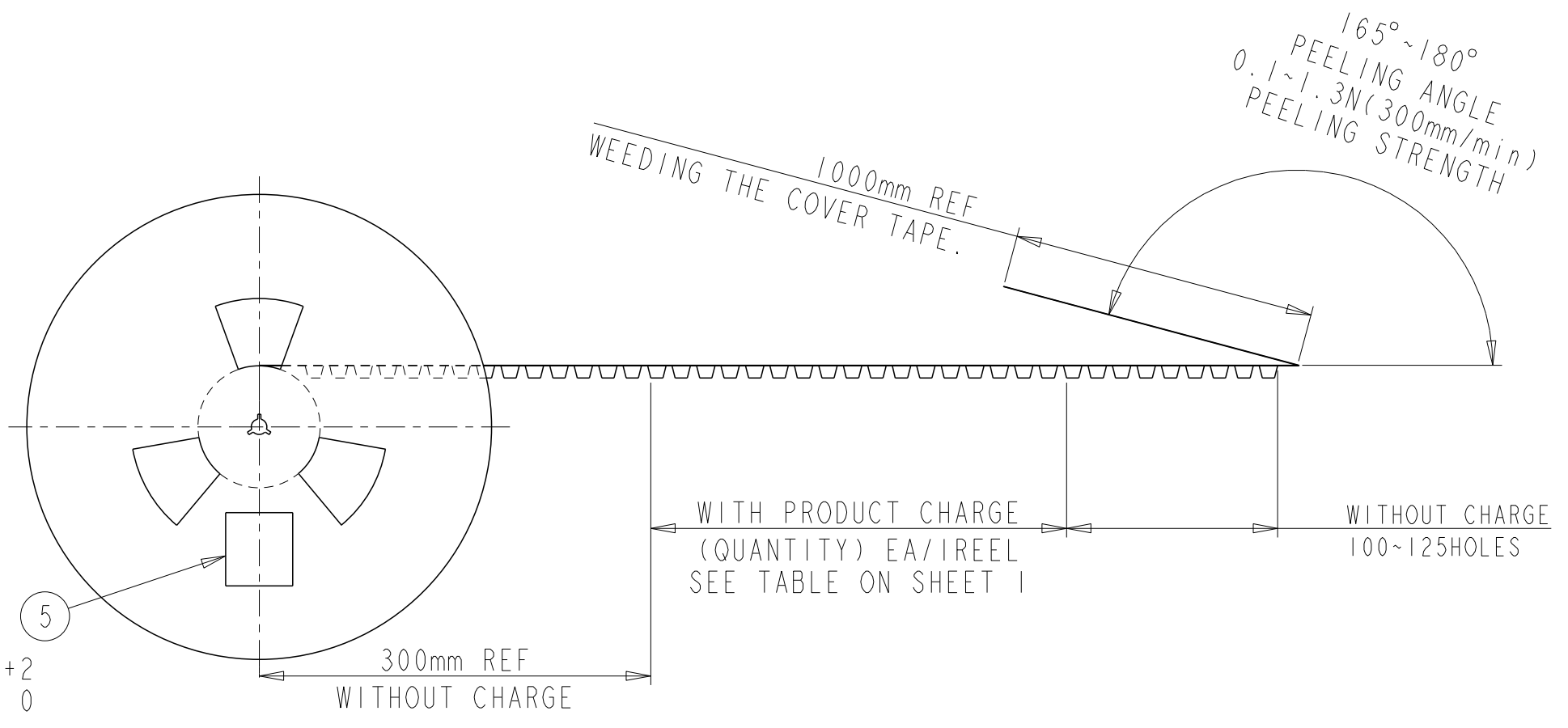
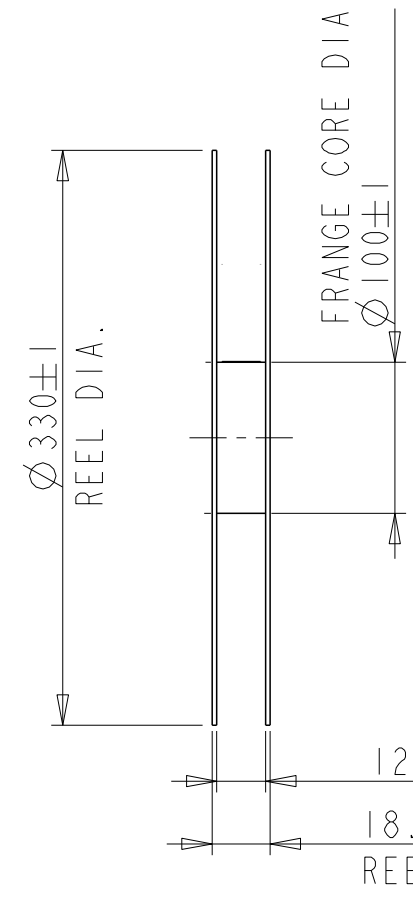


|  |  |                           |                           |                 |
|--|--|---------------------------|---------------------------|-----------------|
| THIS DRAWING IS A CONTROLLED DOCUMENT.   |  | DWN TONY ZHANG 24MAY2013  | TE Connectivity           |                 |
| DIMENSIONS: mm   |  | CHK WENKE HE 24MAY2013    |                           |                 |
| TOLERANCES UNLESS OTHERWISE SPECIFIED:   |  | APVD WENKE HE 24MAY2013   | NAME SPRING FINGER TYPE C |                 |
| 0 PLC ±0.2<br>1 PLC ±0.15<br>2 PLC ±0.15<br>3 PLC ±0.10<br>4 PLC ±<br>ANGLES ±5° |  | PRODUCT SPEC 108-115061-1 | DRAWING NO C-2199250      |                 |
| MATERIAL 2   |  | FINISH 3                  | SIZE A3                   | CAGE CODE 00779 |
|  |  | RESTRICTED TO -           | DRAWING NO C-2199250      |                 |
|  |  | CUSTOMER DRAWING          | SCALE N/A                 | SHEET 1 OF 2    |
|  |  |                           |                           | REV A1          |

|           |            |             |      |             |
|-----------|------------|-------------|------|-------------|
| LOC<br>ES | DIST<br>00 | REVISIONS   |      |             |
| P         | LTR        | DESCRIPTION | DATE | DWN<br>APVD |



SECTION Z-Z



|   |        |                                 |                                 |                    |       |       |       |       |        |       |        |        |      |                              |            |                    |
|---|--------|---------------------------------|---------------------------------|--------------------|-------|-------|-------|-------|--------|-------|--------|--------|------|------------------------------|------------|--------------------|
| THIS DRAWING IS A CONTROLLED DOCUMENT.  |        | DWN<br>TONY ZHANG<br>24MAY2013  | TE Connectivity                 |                    |       |       |       |       |        |       |        |        |      |                              |            |                    |
| DIMENSIONS:<br>mm   |        | CHK<br>XIANG XU<br>24MAY2013    |                                 |                    |       |       |       |       |        |       |        |        |      |                              |            |                    |
| TOLERANCES UNLESS OTHERWISE SPECIFIED:  |        | APVD<br>STEVEN YAO<br>24MAY2013 | NAME<br>SPRING FINGER<br>TYPE C |                    |       |       |       |       |        |       |        |        |      |                              |            |                    |
| <table border="0"> <tr><td>0 PLC</td><td>± 0.2</td></tr> <tr><td>1 PLC</td><td>± 0.1</td></tr> <tr><td>2 PLC</td><td>± 0.1</td></tr> <tr><td>3 PLC</td><td>± 0.05</td></tr> <tr><td>4 PLC</td><td>± 0.05</td></tr> <tr><td>ANGLES</td><td>± 5°</td></tr> </table> |        | 0 PLC                           | ± 0.2                           | 1 PLC              | ± 0.1 | 2 PLC | ± 0.1 | 3 PLC | ± 0.05 | 4 PLC | ± 0.05 | ANGLES | ± 5° | PRODUCT SPEC<br>108-115061-1 | SIZE<br>A3 | CAGE CODE<br>00779 |
| 0 PLC   | ± 0.2  |                                 |                                 |                    |       |       |       |       |        |       |        |        |      |                              |            |                    |
| 1 PLC   | ± 0.1  |                                 |                                 |                    |       |       |       |       |        |       |        |        |      |                              |            |                    |
| 2 PLC   | ± 0.1  |                                 |                                 |                    |       |       |       |       |        |       |        |        |      |                              |            |                    |
| 3 PLC   | ± 0.05 |                                 |                                 |                    |       |       |       |       |        |       |        |        |      |                              |            |                    |
| 4 PLC   | ± 0.05 |                                 |                                 |                    |       |       |       |       |        |       |        |        |      |                              |            |                    |
| ANGLES  | ± 5°   |                                 |                                 |                    |       |       |       |       |        |       |        |        |      |                              |            |                    |
| MATERIAL  |        | APPLICATION SPEC<br>-           | DRAWING NO<br>C= 2199250        | RESTRICTED TO<br>- |       |       |       |       |        |       |        |        |      |                              |            |                    |
| FINISH  |        | WEIGHT<br>-                     | SCALE<br>N/A                    |                    |       |       |       |       |        |       |        |        |      |                              |            |                    |
| CUSTOMER DRAWING  |        |                                 | SHEET<br>2 OF 2                 | REV<br>A1          |       |       |       |       |        |       |        |        |      |                              |            |                    |