



Chipsmall Limited consists of a professional team with an average of over 10 year of expertise in the distribution of electronic components. Based in Hongkong, we have already established firm and mutual-benefit business relationships with customers from,Europe,America and south Asia,supplying obsolete and hard-to-find components to meet their specific needs.

With the principle of "Quality Parts,Customers Priority,Honest Operation,and Considerate Service",our business mainly focus on the distribution of electronic components. Line cards we deal with include Microchip,ALPS,ROHM,Xilinx,Pulse,ON,Everlight and Freescale. Main products comprise IC,Modules,Potentiometer,IC Socket,Relay,Connector.Our parts cover such applications as commercial,industrial, and automotives areas.

We are looking forward to setting up business relationship with you and hope to provide you with the best service and solution. Let us make a better world for our industry!



Contact us

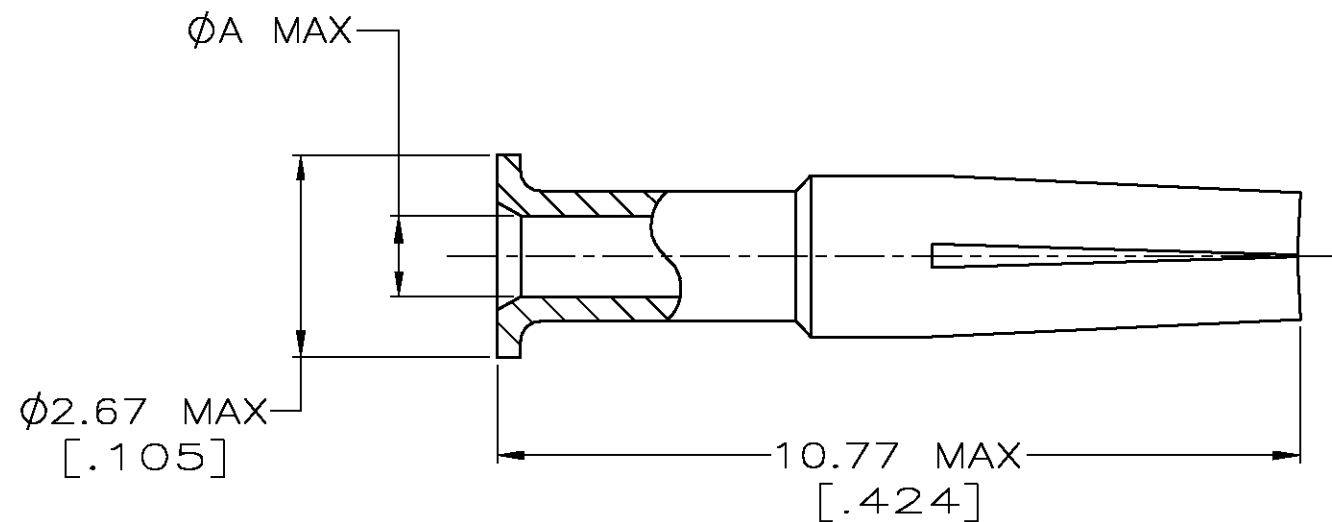
Tel: +86-755-8981 8866 Fax: +86-755-8427 6832

Email & Skype: info@chipsmall.com Web: www.chipsmall.com

Address: A1208, Overseas Decoration Building, #122 Zhenhua RD., Futian, Shenzhen, China



P	LTR	DESCRIPTION	DATE	DWN	APVD
	C	REVISED PER OS14-0355-03.	31DEC03	JGH	JGH



1. BERYLLIUM COPPER PER ASTM-B-197.
2. GOLD PLATE PER MIL-G-45204, $0.76 \mu m$ [.000030] MIN THICKNESS.
3. SILVER PLATE PER QQ-S-365, $2.54 \mu m$ [.000100] MIN THICKNESS.
4. TIN-LEAD PLATE PER ASTM-B-545, $2.54 \mu m$ [.000100] MIN THICKNESS.

1.22 [.048]	2	3-221149-6
0.41 [.016]	2	3-221149-1
1.14 [.045]	2	2-221149-6
0.64 [.025]	3	2-221149-1
0.64 [.025]	2	2-221149-0
0.64 [.025]	4	1-221149-9
0.81 [.032]	3	1-221149-4
0.81 [.032]	2	1-221149-3
0.81 [.032]	4	1-221149-2
1.07 [.042]	3	221149-7
1.07 [.042]	2	221149-6
1.07 [.042]	4	221149-5
A	FINISH	PART NUMBER

THIS DRAWING IS A CONTROLLED DOCUMENT.		DWN 12JAN96 MICHAEL E. COWHER	AMP Incorporated Harrisburg, PA 17105-3608											
DIMENSIONS: mm [INCHES]		CHK 15JAN96 MICHAEL J. PHILLIPS												
TOLERANCES UNLESS OTHERWISE SPECIFIED:		APVD 15JAN96 MICHAEL J. PHILLIPS												
<table border="0"> <tr><td>0 PLC</td><td>±-</td></tr> <tr><td>1 PLC</td><td>±-</td></tr> <tr><td>2 PLC</td><td>±-</td></tr> <tr><td>3 PLC</td><td>±-</td></tr> <tr><td>4 PLC</td><td>±-</td></tr> <tr><td>ANGLES</td><td>±-</td></tr> </table>		0 PLC		±-	1 PLC	±-	2 PLC	±-	3 PLC	±-	4 PLC	±-	ANGLES	±-
0 PLC	±-													
1 PLC	±-													
2 PLC	±-													
3 PLC	±-													
4 PLC	±-													
ANGLES	±-													
MATERIAL SEE NOTES	FINISH SEE TABLE	PRODUCT SPEC -	APPLICATION SPEC -											
CUSTOMER DRAWING		WEIGHT -	<table border="0"> <tr> <td>SIZE A3</td> <td>CAGE CODE 00779</td> <td>DRAWING NO C-221149</td> </tr> <tr> <td>SCALE 10:1</td> <td>SHEET 1 OF 1</td> <td>REV C</td> </tr> </table>	SIZE A3	CAGE CODE 00779	DRAWING NO C-221149	SCALE 10:1	SHEET 1 OF 1	REV C					
SIZE A3	CAGE CODE 00779	DRAWING NO C-221149												
SCALE 10:1	SHEET 1 OF 1	REV C												