



Chipsmall Limited consists of a professional team with an average of over 10 year of expertise in the distribution of electronic components. Based in Hongkong, we have already established firm and mutual-benefit business relationships with customers from,Europe,America and south Asia,supplying obsolete and hard-to-find components to meet their specific needs.

With the principle of "Quality Parts,Customers Priority,Honest Operation,and Considerate Service",our business mainly focus on the distribution of electronic components. Line cards we deal with include Microchip,ALPS,ROHM,Xilinx,Pulse,ON,Everlight and Freescale. Main products comprise IC,Modules,Potentiometer,IC Socket,Relay,Connector.Our parts cover such applications as commercial,industrial, and automotives areas.

We are looking forward to setting up business relationship with you and hope to provide you with the best service and solution. Let us make a better world for our industry!



Contact us

Tel: +86-755-8981 8866 Fax: +86-755-8427 6832

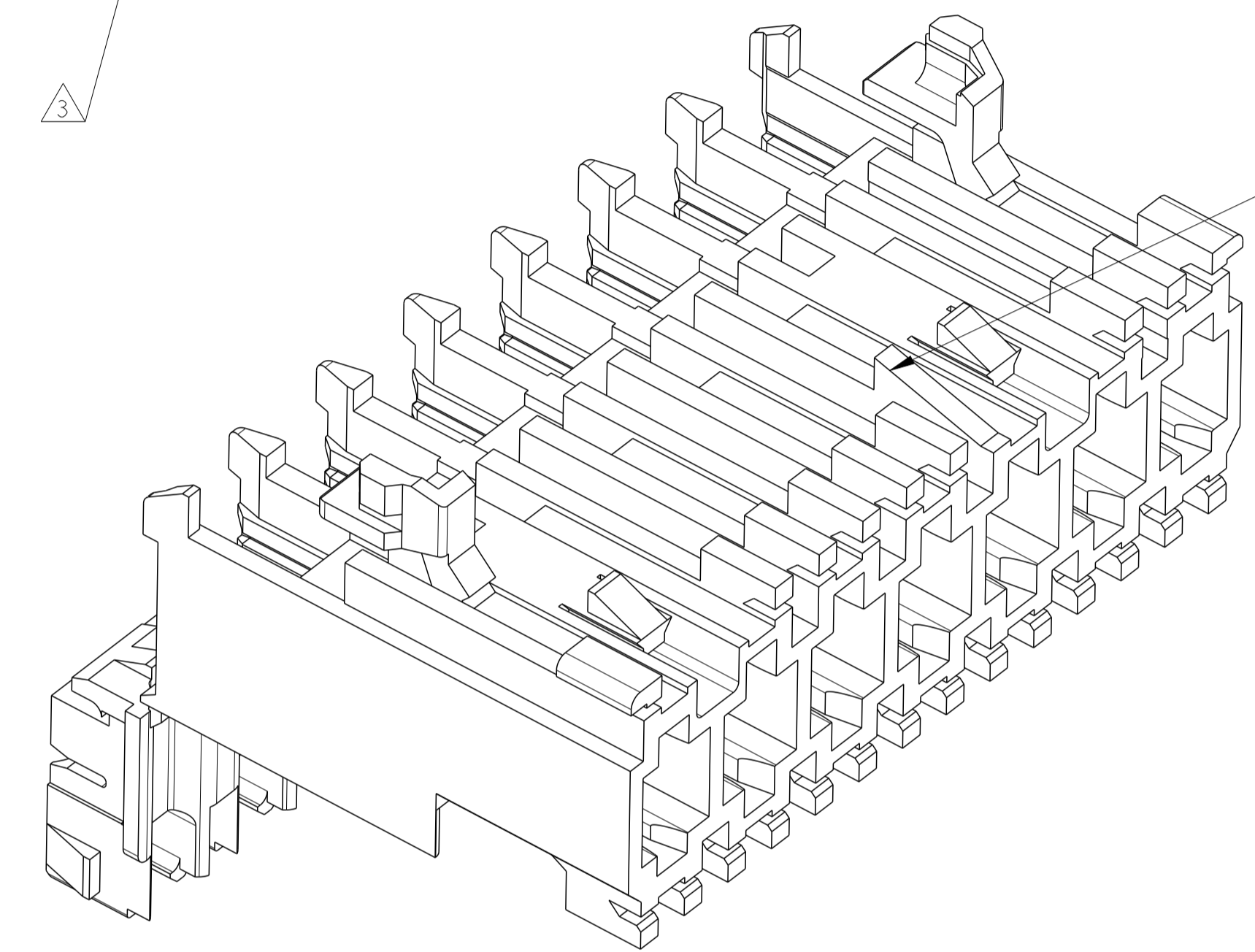
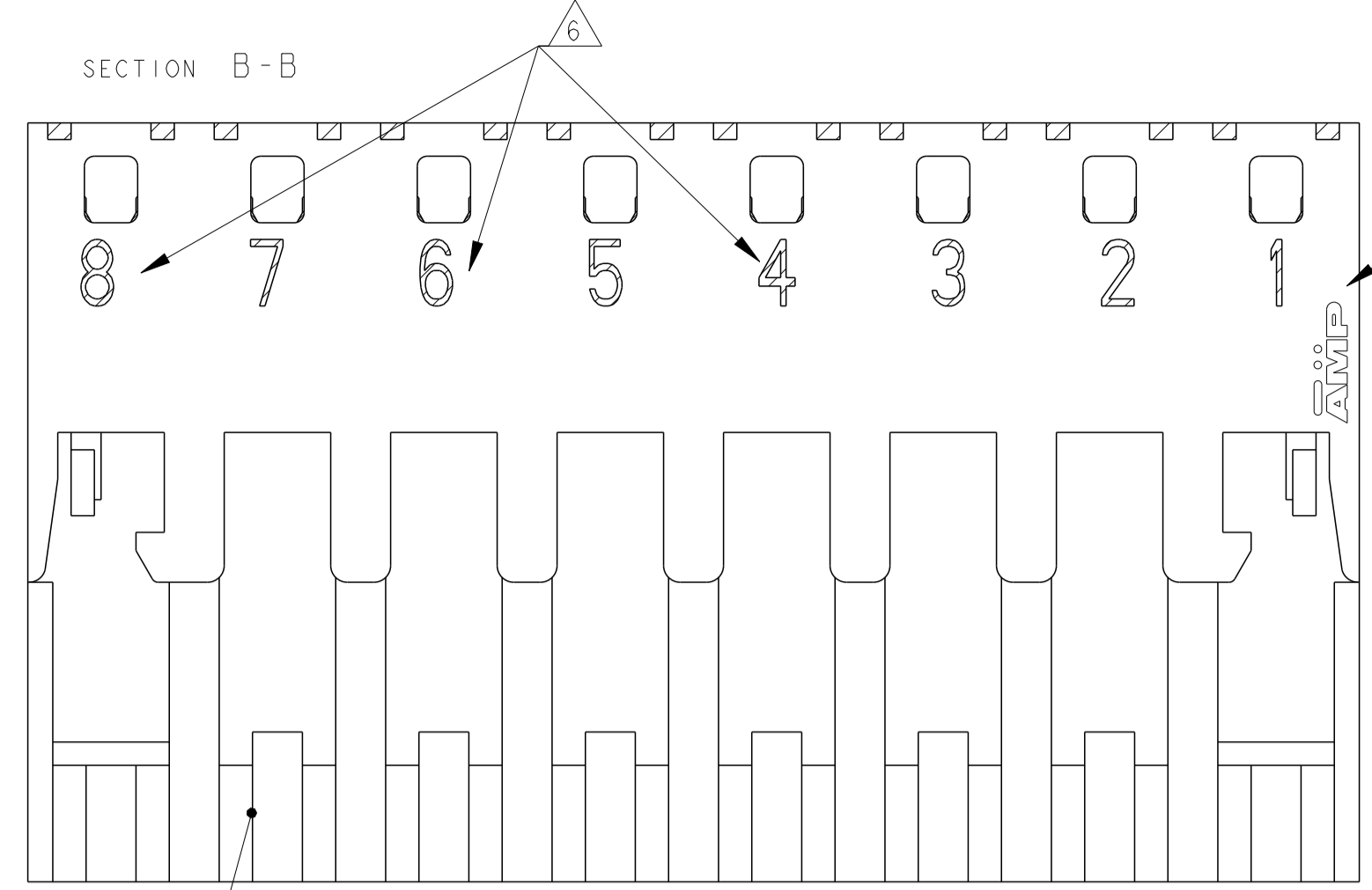
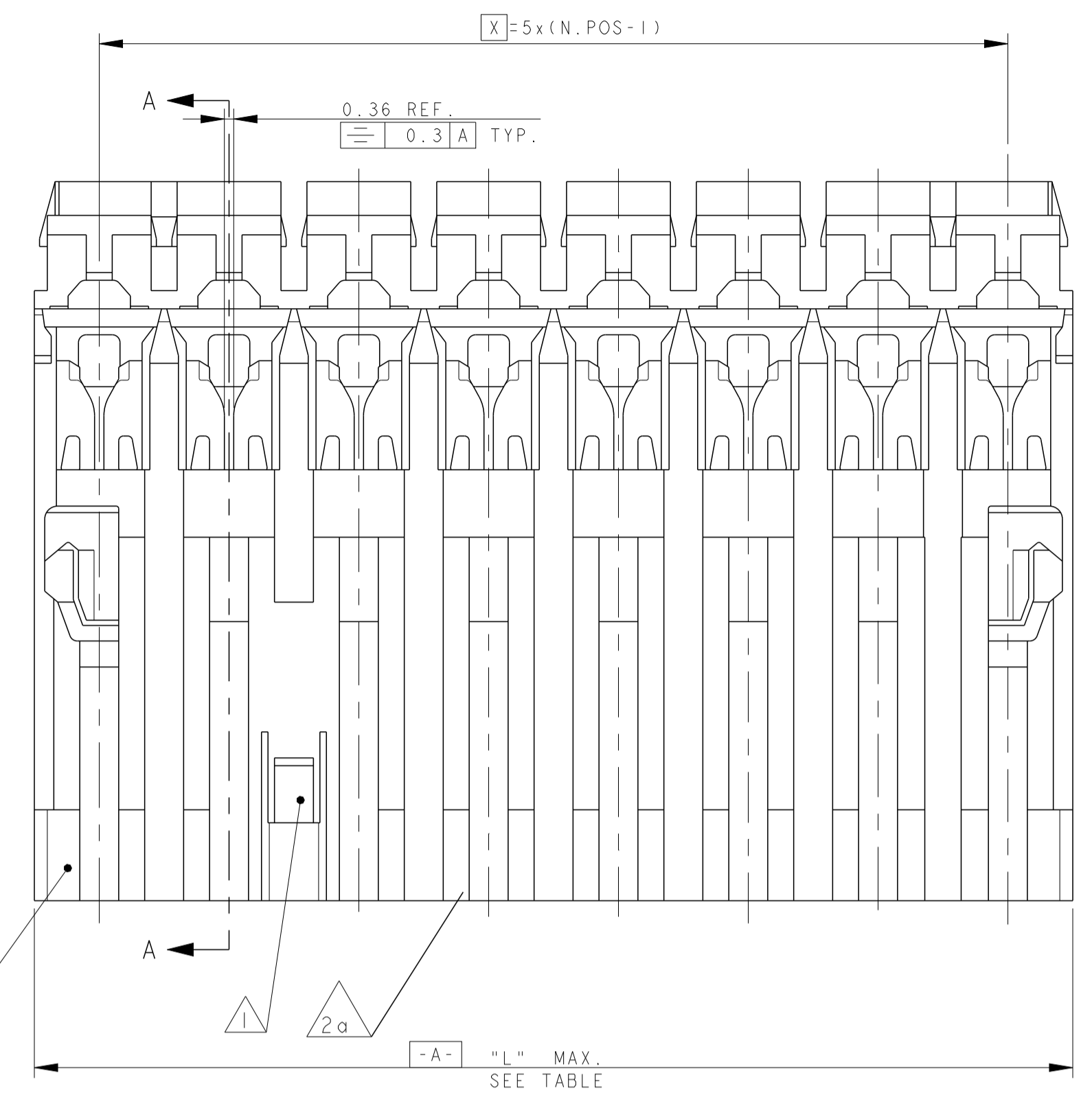
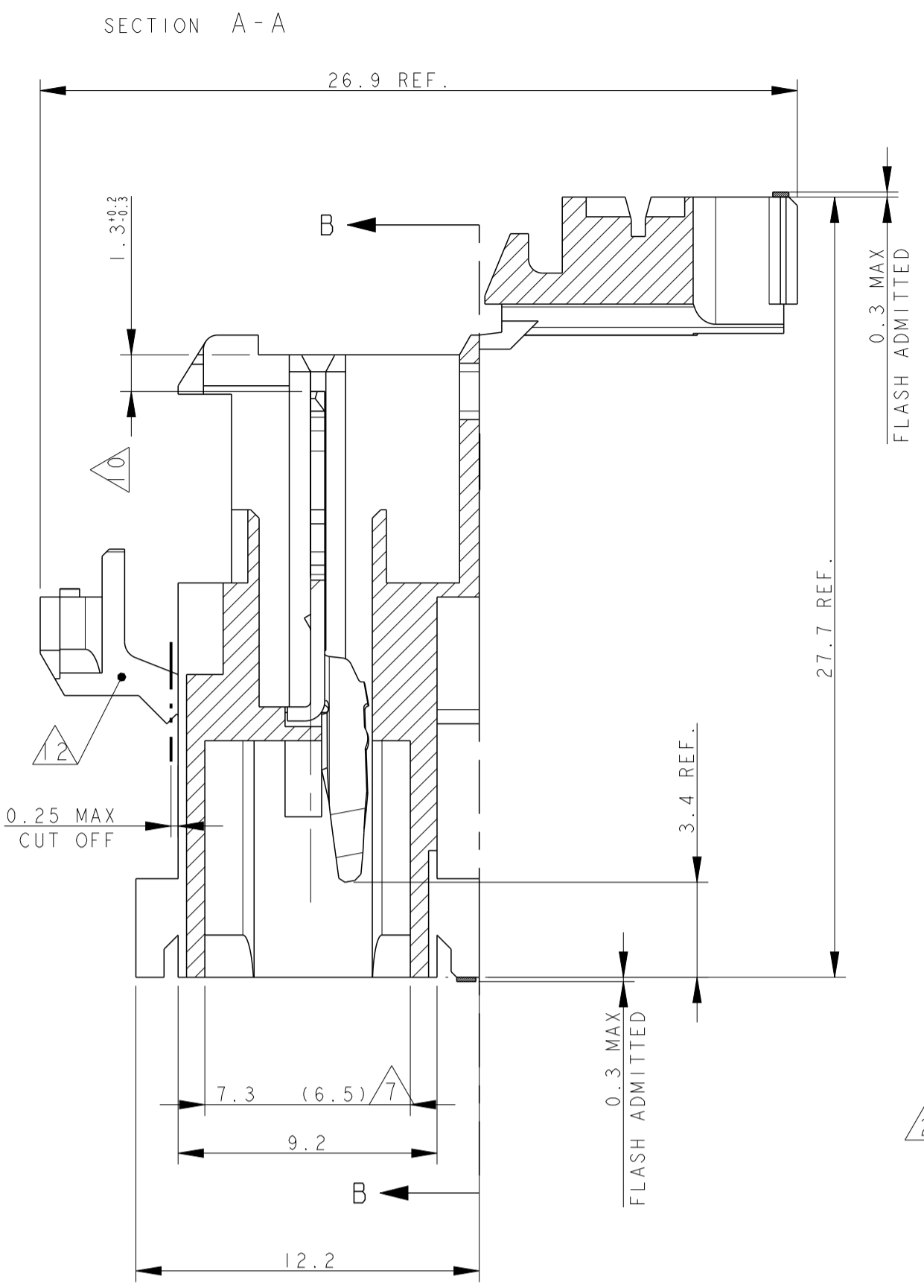
Email & Skype: info@chipsmall.com Web: www.chipsmall.com

Address: A1208, Overseas Decoration Building, #122 Zhenhua RD., Futian, Shenzhen, China



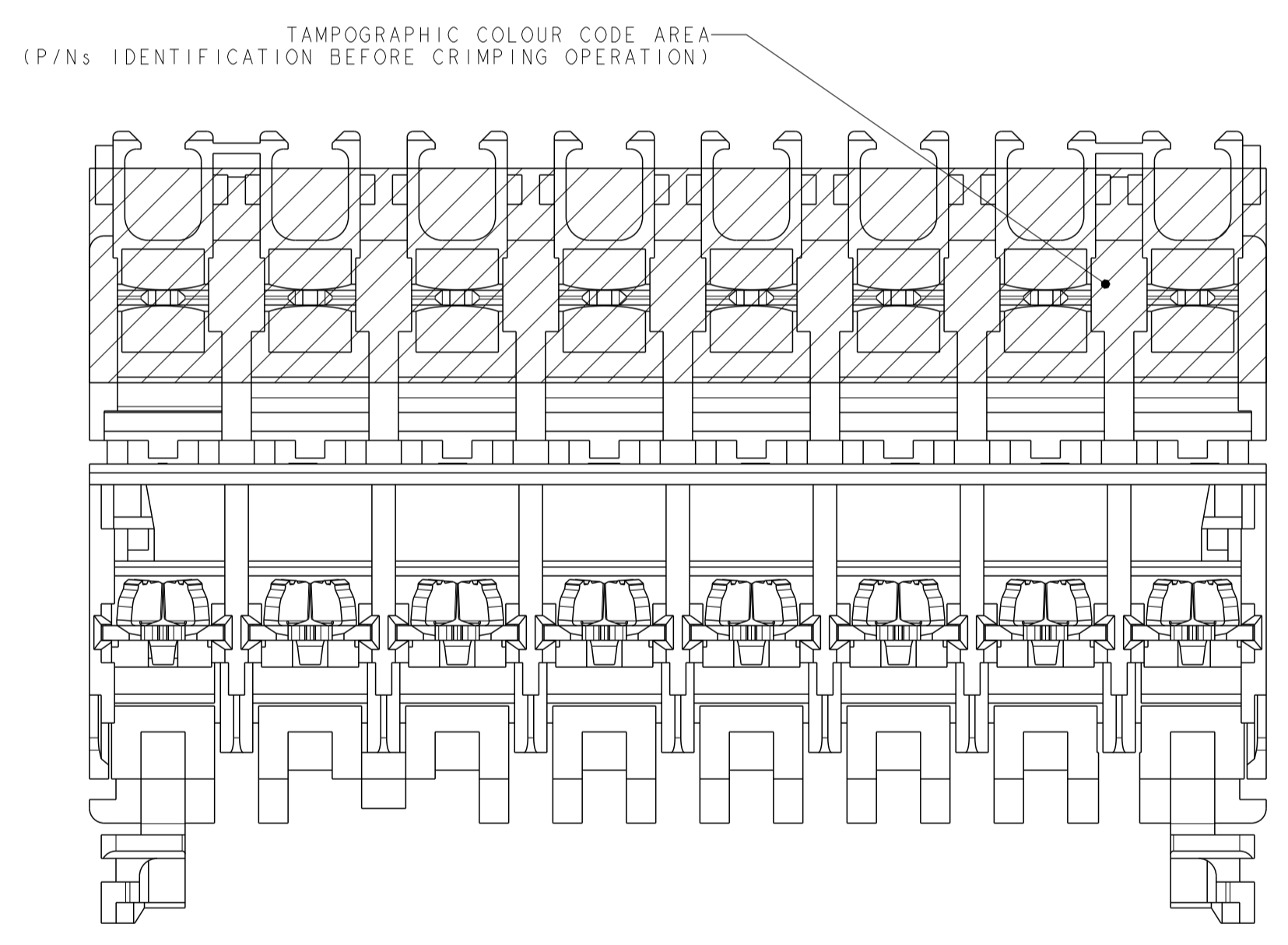
PART NUMBER *284478-1 FOR REF. AS SHOWN

LOC	DIST	REVISIONS			
P	LTN	DESCRIPTION	DATE	DMN	APVD
G8		P/N 3-284477-7 RELEASED (ECR-13-011961)	26 JUL 2013	MKD	RRP
G9		ECR-15-016292	05 NOV 2015	SS	RR



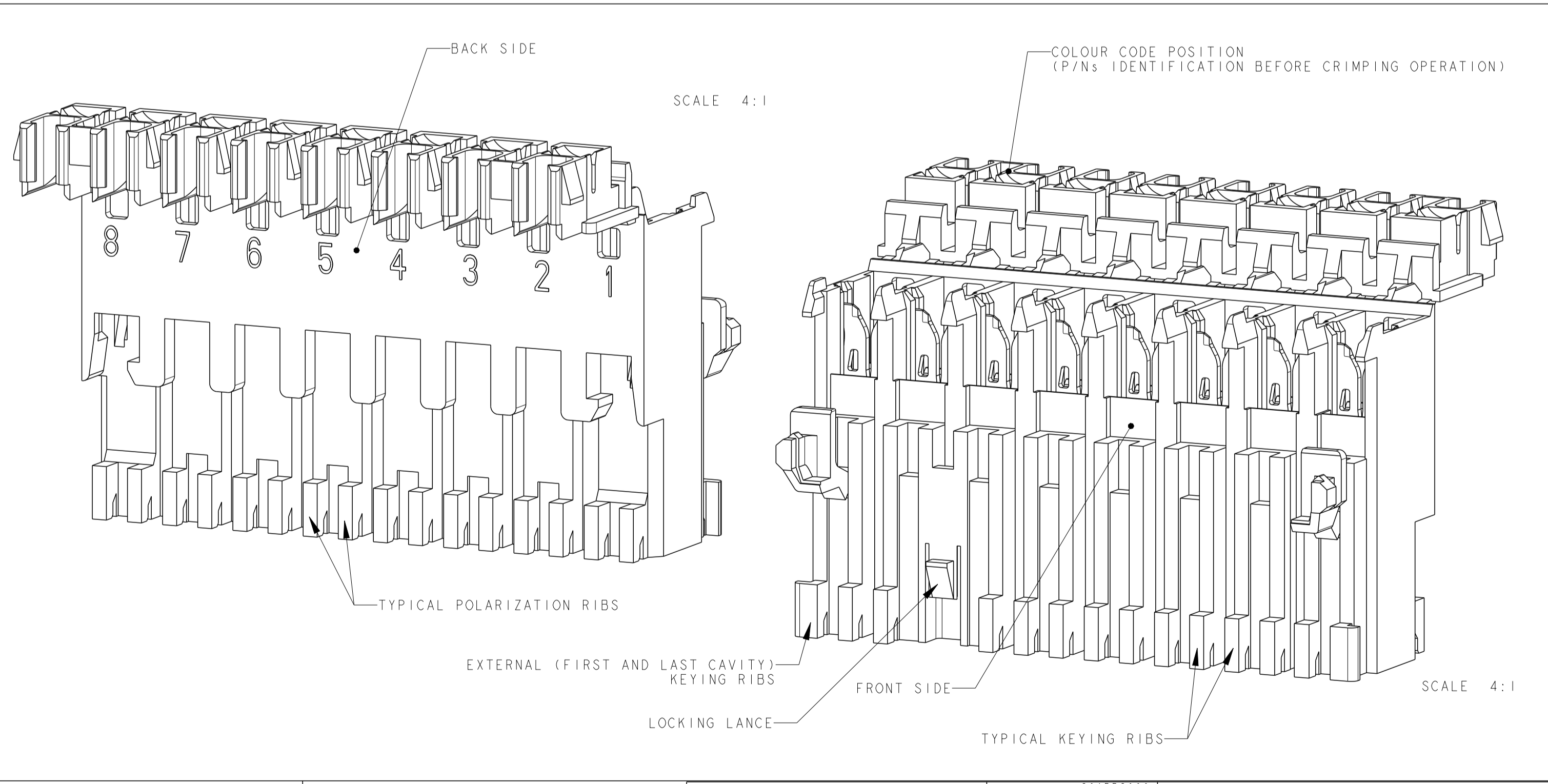
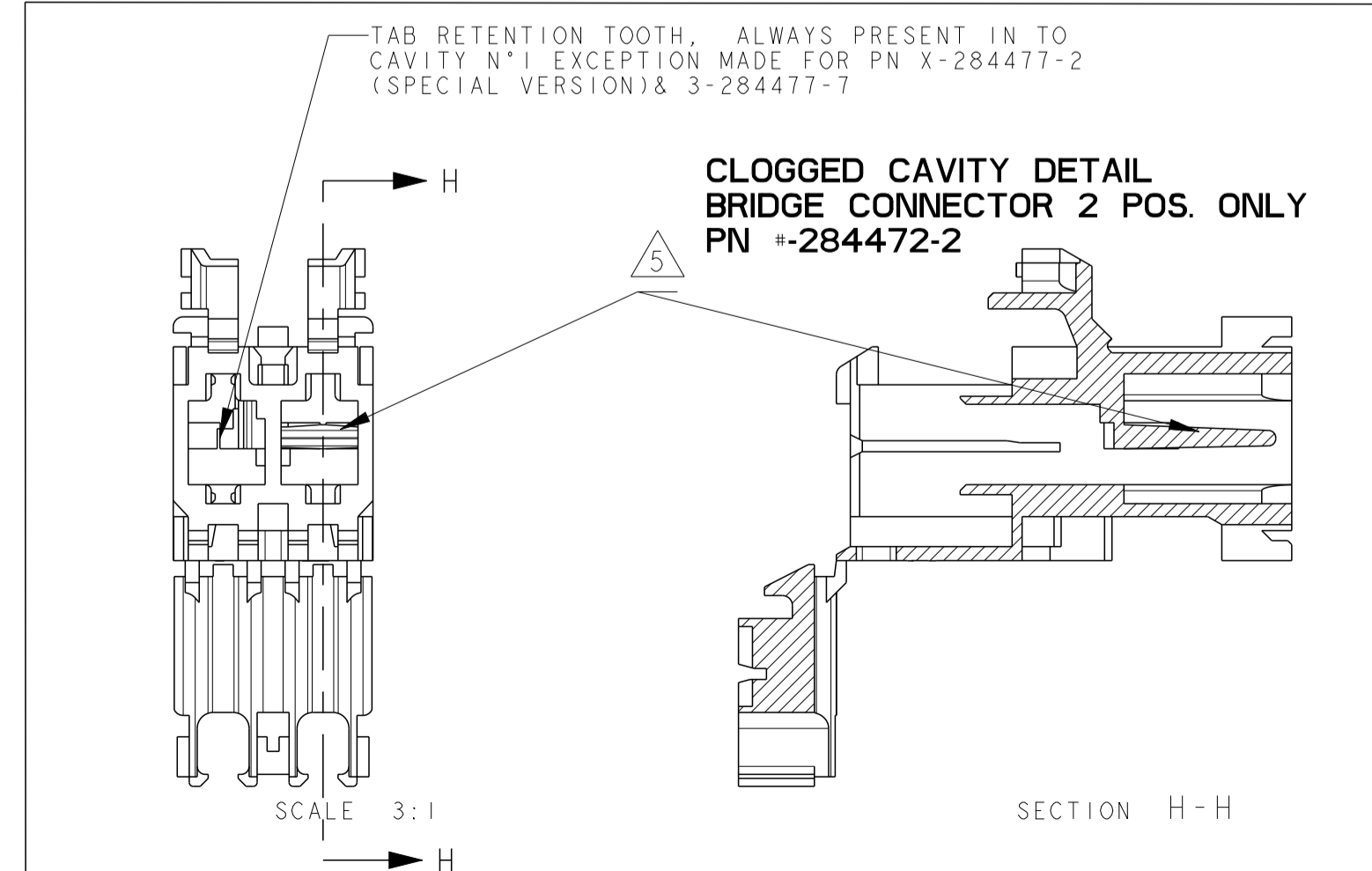
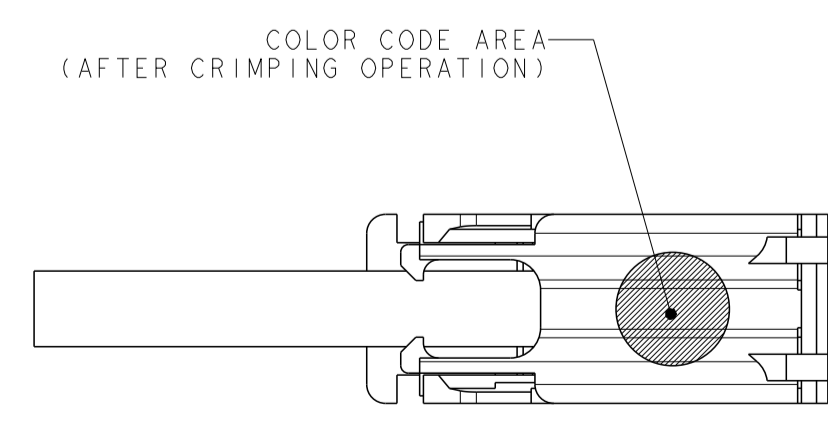
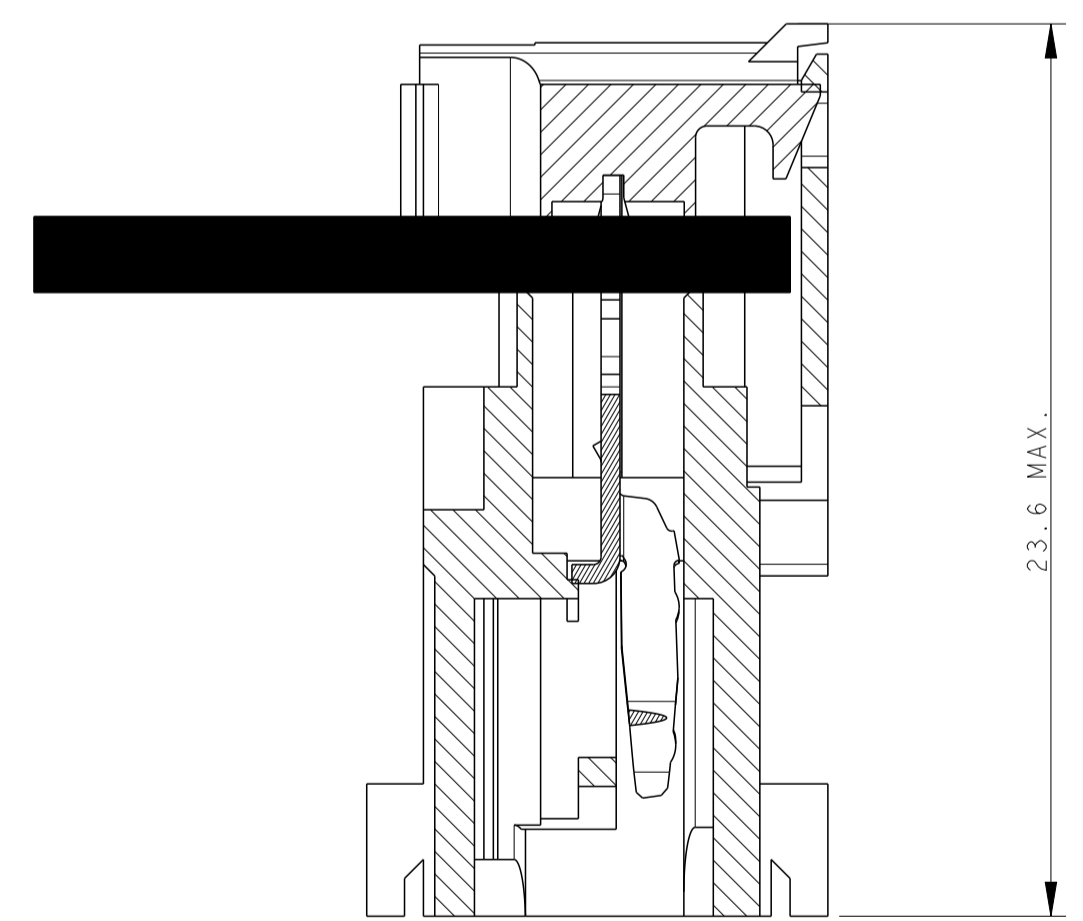
DETAIL FOR PART NUMBER *284477-2 FOR REF AS SHOWN

SPECIAL KEYING FOR MOTOR MOUNT APPLICATION SEE ALSO SHEET 2 OF 2

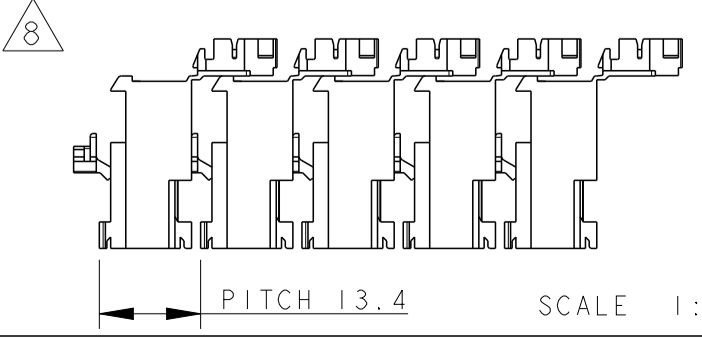


FOR NOTES SEE LAST SHEET

TERMINATED CONNECTOR
PN #284471-1 SHOWN FOR REFERENCE



PACKAGING: CONNECTOR STRIP



THIS DRAWING IS A CONTROLLED DOCUMENT.		DMN: M. COLOMBO 20APR2000	TE Connectivity
DIMENSIONS: mm		CHK: G. TURCO 20APR2000	
TOLERANCES UNLESS OTHERWISE SPECIFIED:		APVD: G. TURCO 20APR2000	NAME: AMP MONO-SHAPE Mark II 1-10 POS TAB CONNECTORS
0 PLC	±0.5	PRODUCT SPEC: 108-20213	SIZE: A1
1 PLC	±0.3	APPLICATION SPEC: 114-20104 & 114-20111	CAGE CODE: C=284471
2 PLC	±	WEIGHT: -	RESTRICTED TO: -
3 PLC	±	CUSTOMER DRAWING	SCALE: 5:1
4 PLC	±		SHEET: 1 OF 5
ANGLES	±		REV: G9

- NOTES:**
- 1 LOCKING LANCE BETWEEN CAVITY-NO.
 - 2 KEYING RIB ON FIRST AND LAST CAVITY, FRONT SIDE
 - 2a TYPICAL KEYING RIB
 - 3 SPECIAL KEY, MOTOR MOUNT VERSION FOR (SPECIAL APPLICATION.)
 - 4 TYPICAL POLARISATION RIB
 - 5 CONTACT BRIDGE DESIGN AS SHOWN. FOR REFERENCE
 B THIS SYMBOL IDENTIFY A BRIDGED CONTACT AND RELEVANT WAY POSITION
 - 6 CONTACT POSITION IN HOUSING CAVITY AS RECEIVED, BEFORE WIRE TERMINATION
 - 7 STRIP-CLIPS TO BE CUT OFF BY APPLICATION MACHINE
 - 8 PRODUCT PAKED IN STRIP, ON TRAY INSIDE A BOX PER PKG. SPEC. 107-20213
 - 9 MATERIALS:
 - HOUSINGS: NYLON UNFILLED, GLOW WIRE 750° NO FLAME FOR DETAIL SEE RELEVANT TABLE.
 - CONTACTS: HIGH CONDUCTIVITY COPPER ALLOY
 - 10 DIM. 6.5 IS FOR FIRST AND LAST CAVITY ONLY, IS 7.3 FOR OTHERS CAVITY/WAYS N°.

TAMPOGRAPHIC COLOUR CODE AREA (P/Ns IDENTIFICATION BEFORE CRIMPING OPERATION)

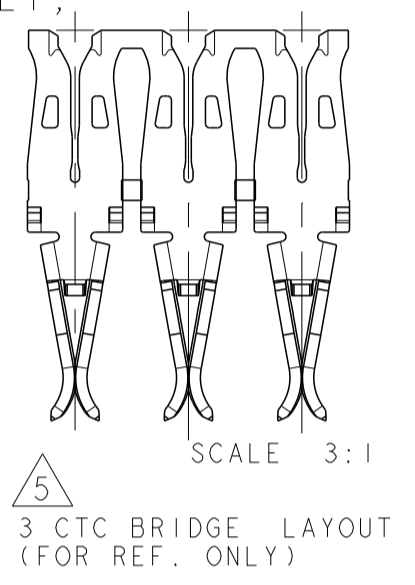
CONTACTS IN SHORT CIRCUIT FOR WAY 1-2-3 ON TYP. BRIDGE CONFIGURATION

FRONT SIDE

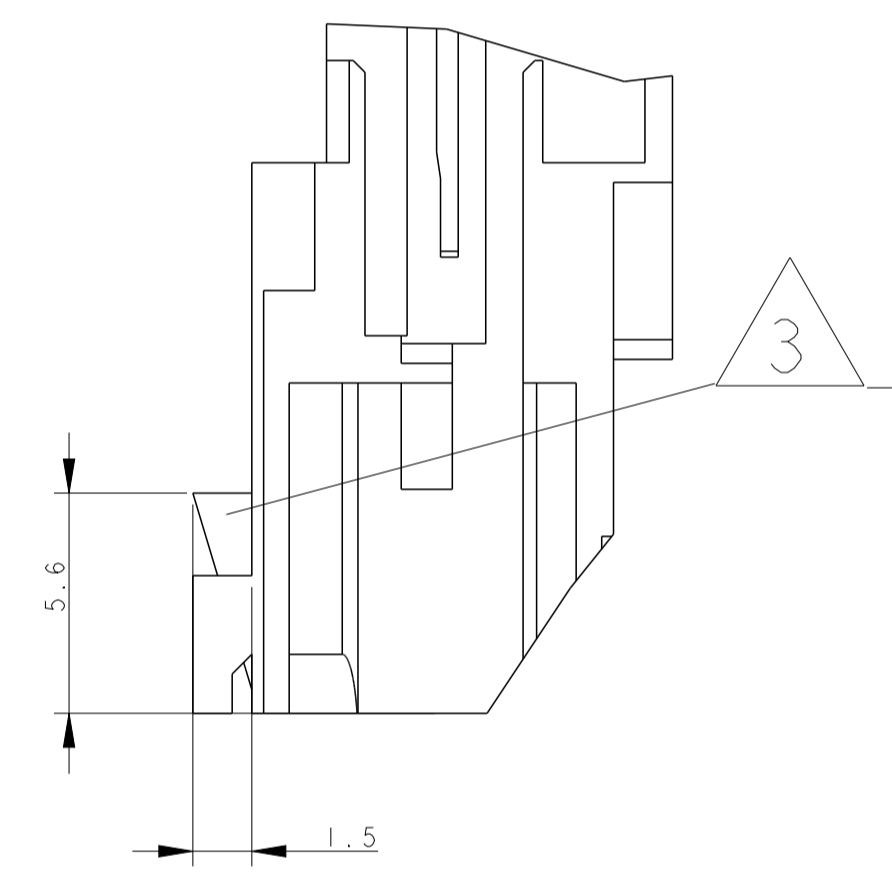
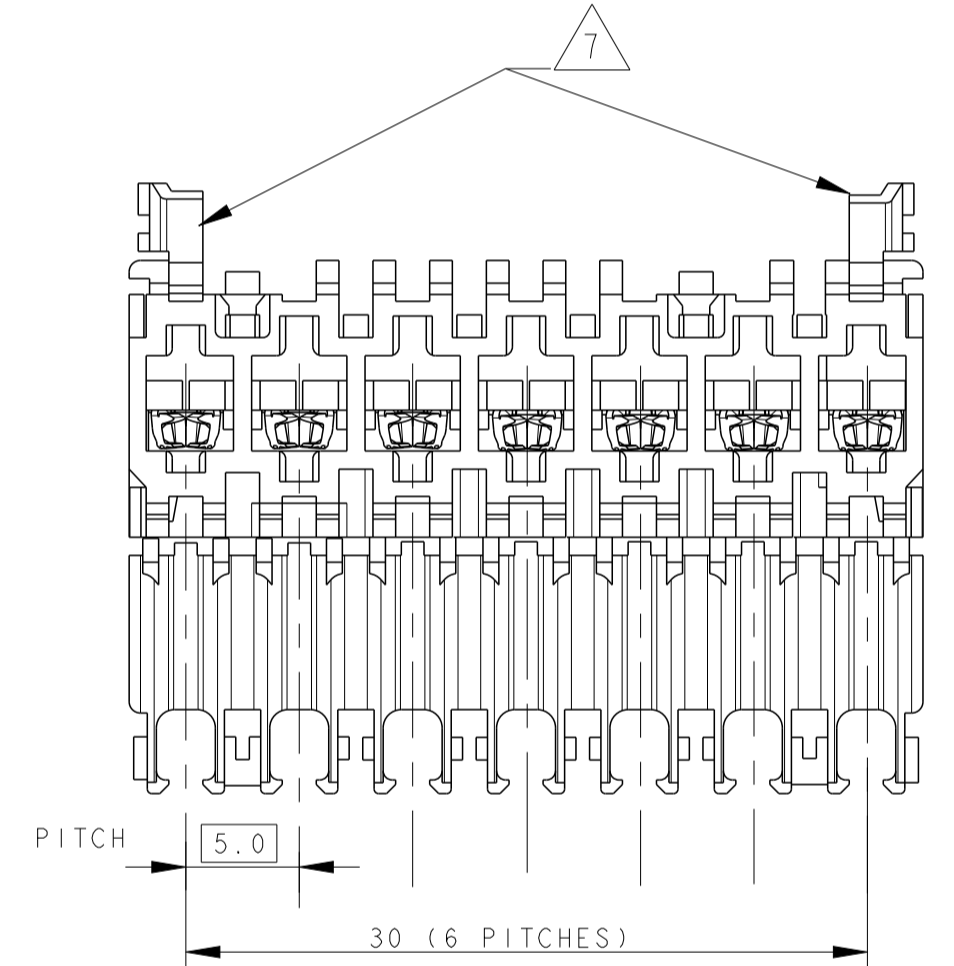
WAYS NUMBER IDENTIFICATION

BACK SIDE

MANUFACTURER LOGO FREE POSITION ON THIS AREA

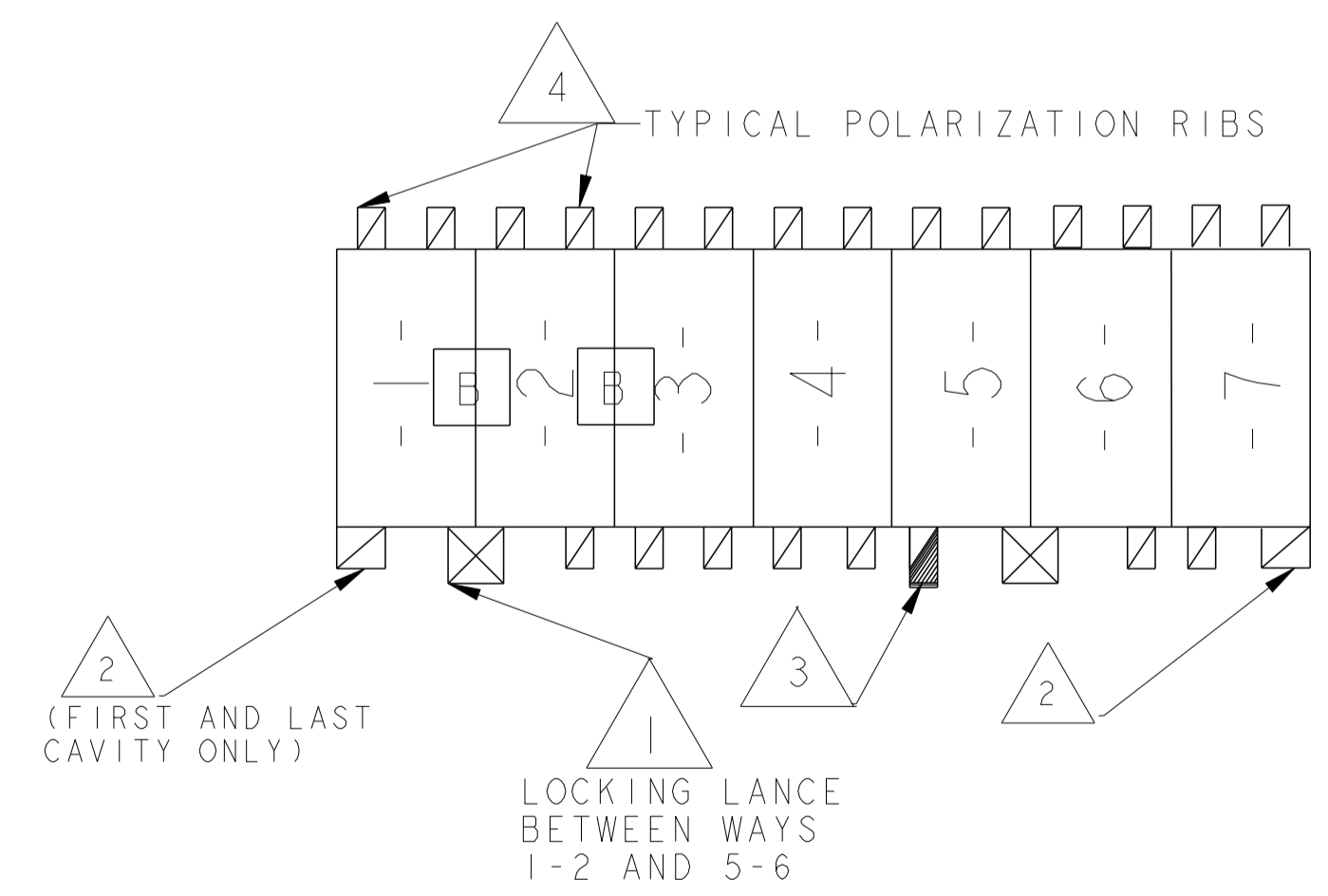


PARTIAL DETAIL FOR MOTOR MOUNT KEY

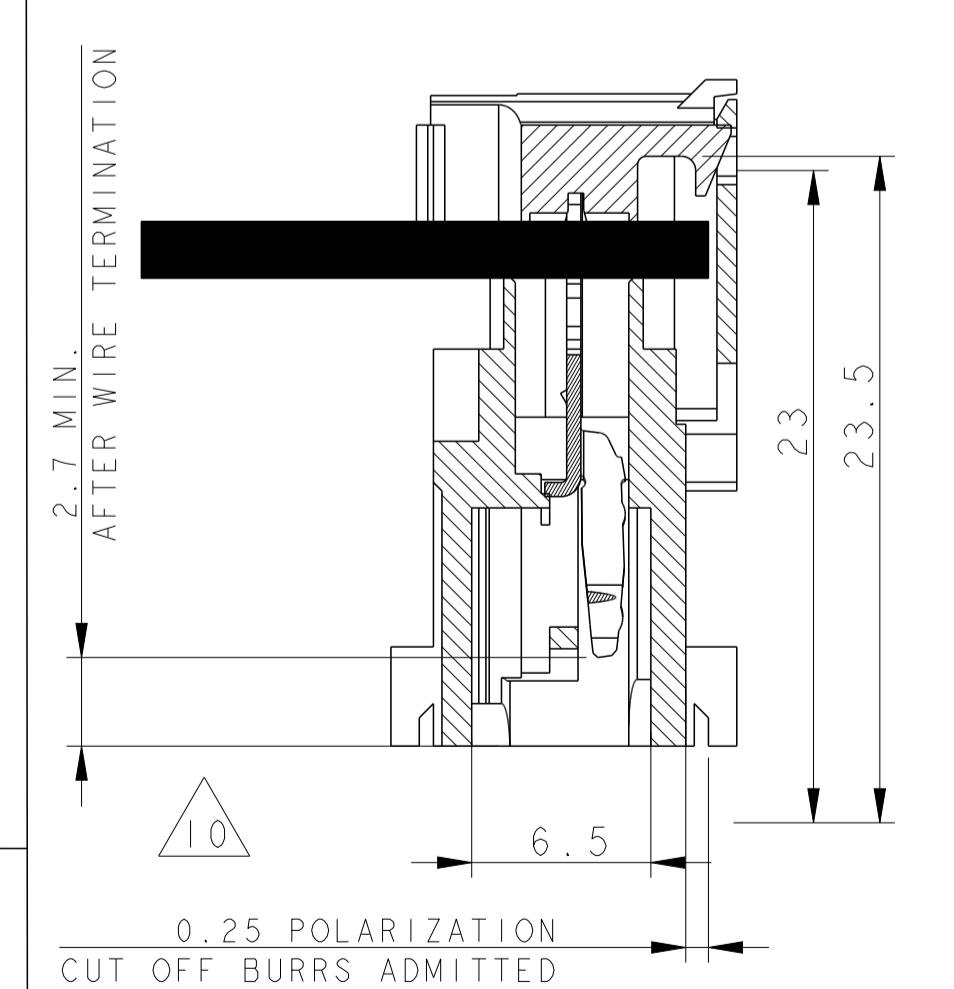


PN 3-284477-4 AS SHOWN ON THIS SHEET

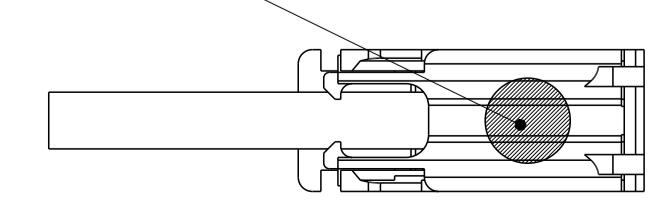
KEYING LAYOUT - SCHEMATIC
 DETAILS FOR 7 POS TAB-BRIDGE CONNECTORS FOR SPECIAL APPLICATION
 PRODUCT DESIGNED WITH CONTACTS ON WAY 1-2-3 IN SHORT CIRCUIT (BRIDGE)



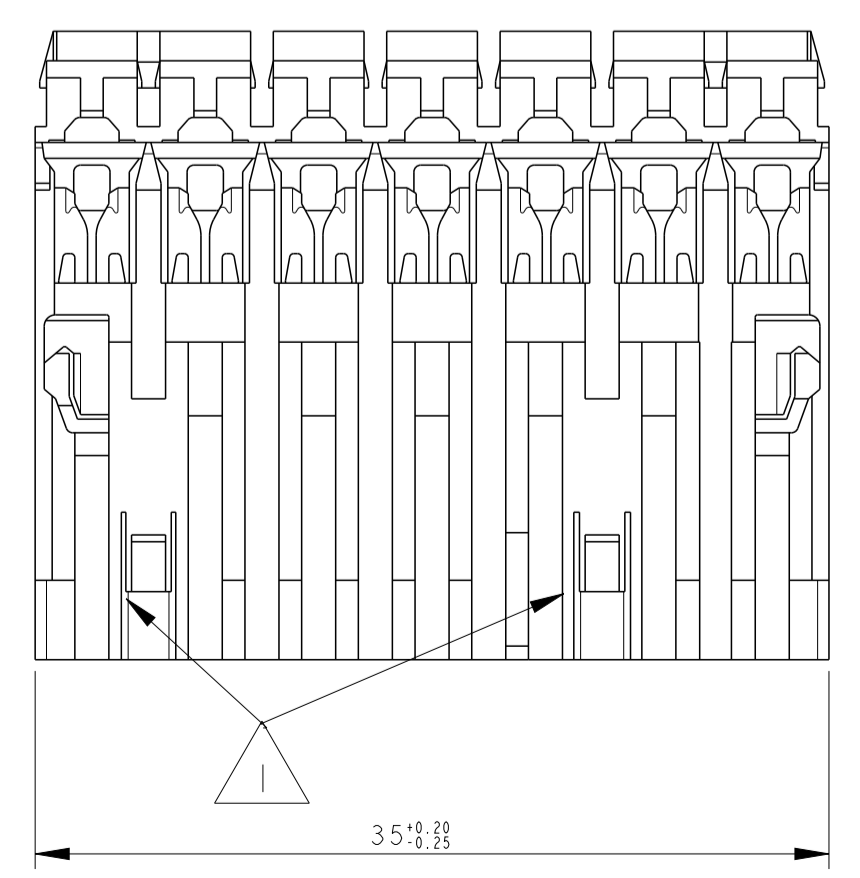
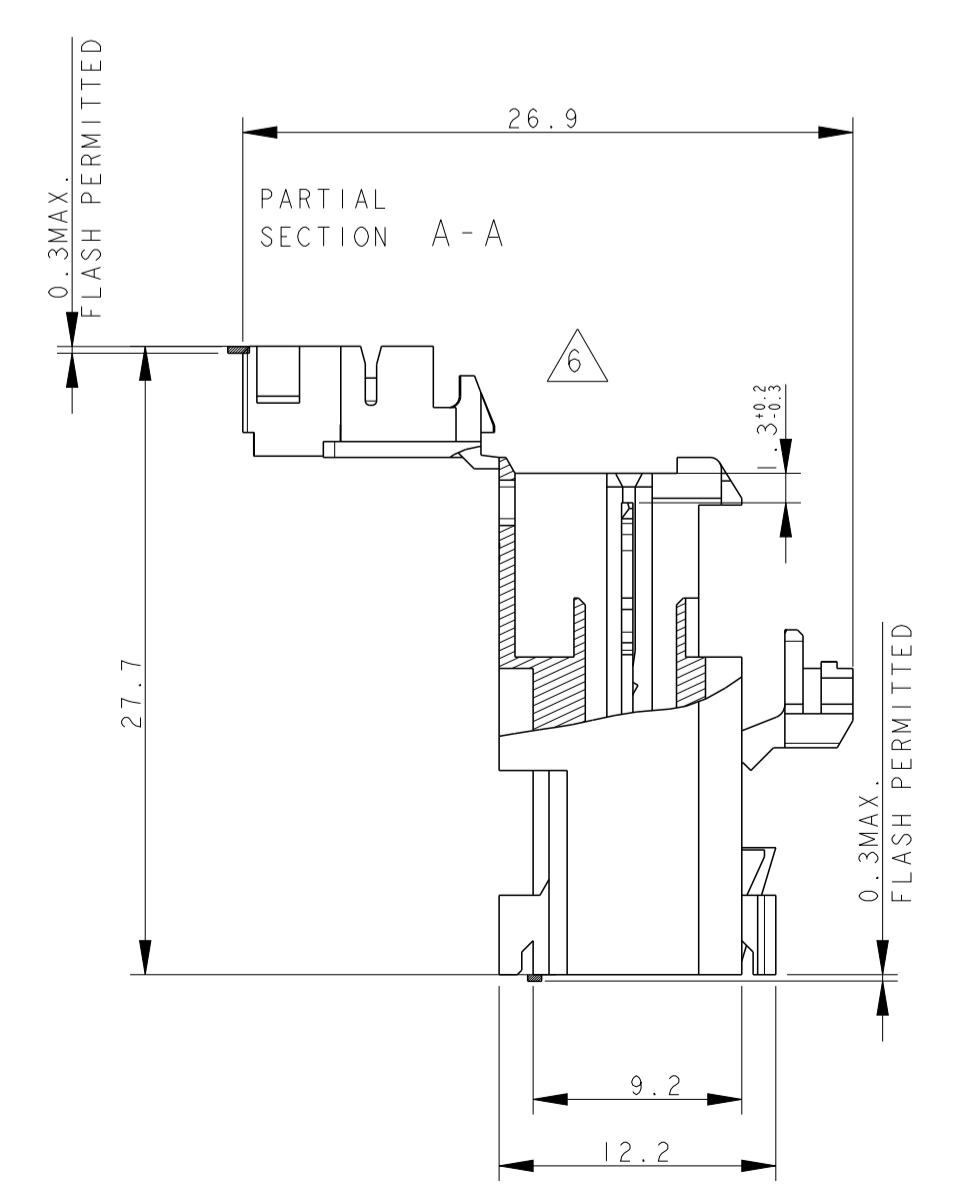
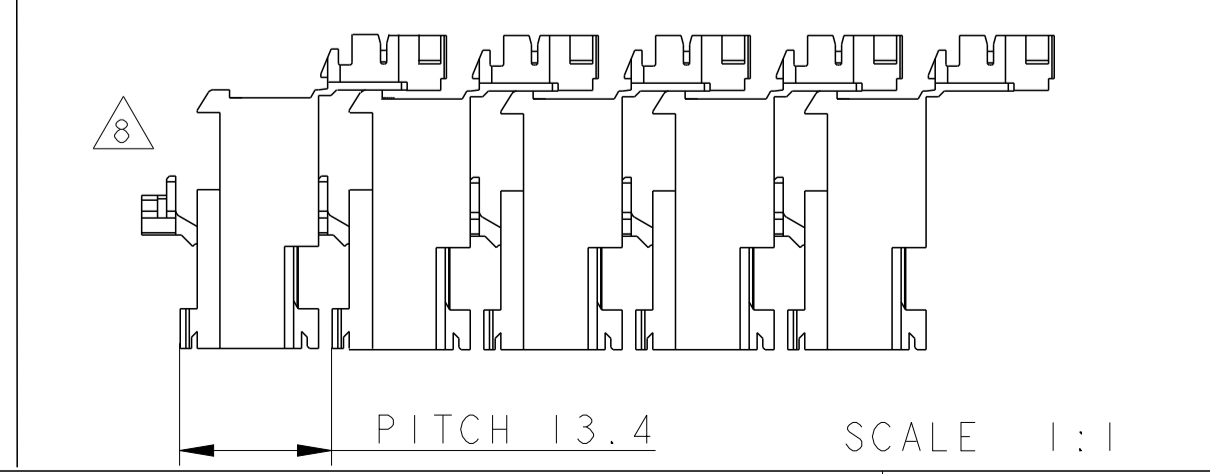
TERMINATED CONNECTOR (SW AS SHOWN FOR REFERENCE ONLY)



COLOR CODE AREA (OPTIONAL AFTER CRIMPING OPERATION)



PACKAGING: CONNECTOR STRIP

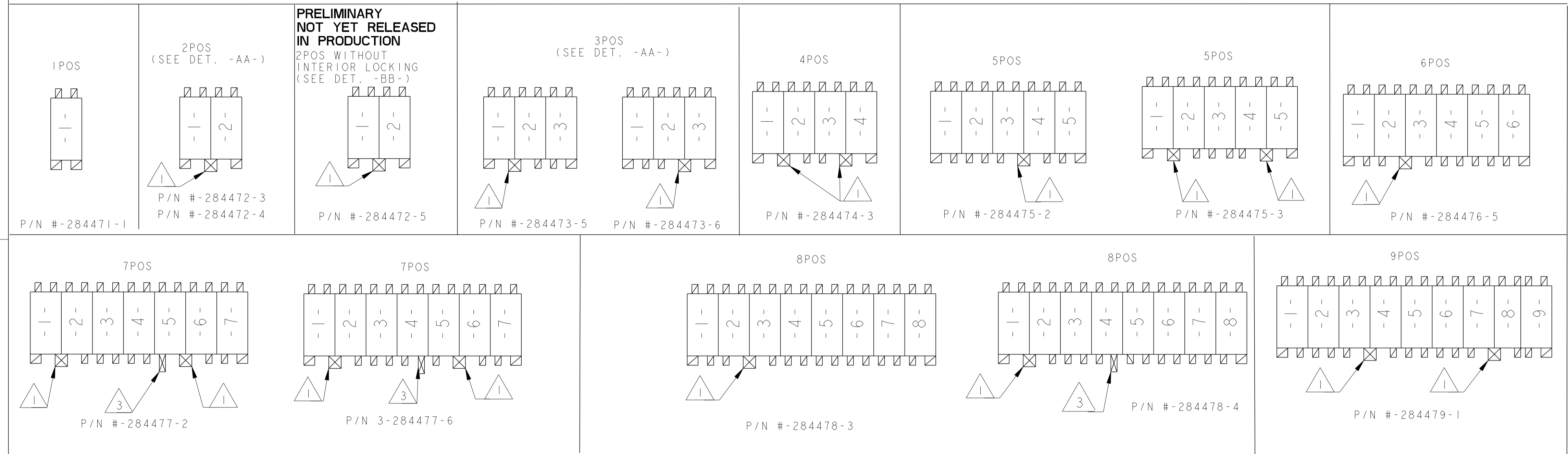


No. OF POS	ASS'Y P/N	ASS'Y REV.	NOTE	COLOR CODE
7	3-284477-4	0	HSG MATERIAL PA66-750*NF.	VIOLET

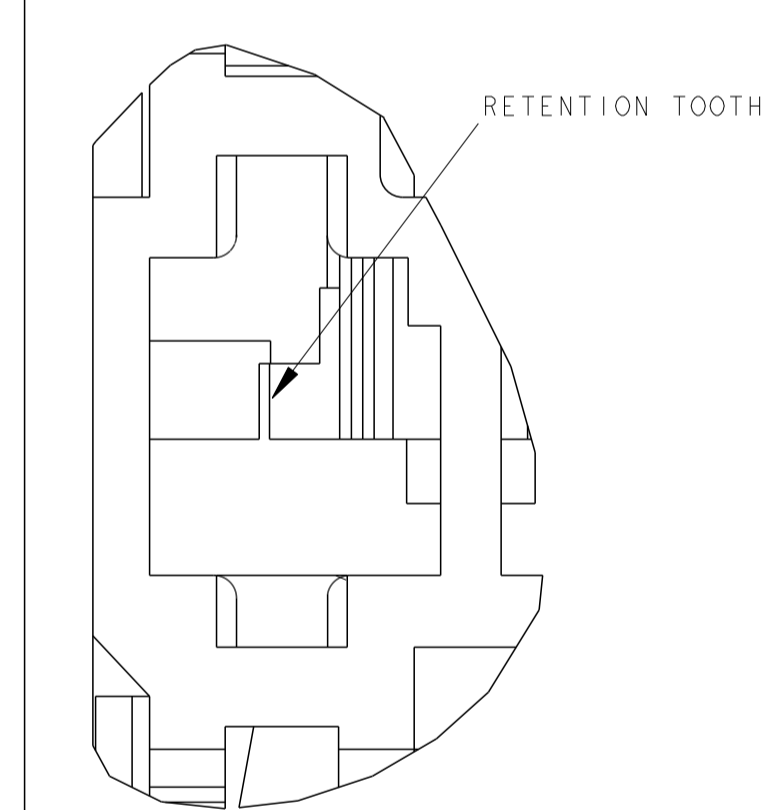
THIS DRAWING IS A CONTROLLED DOCUMENT.		DMN C. CORDOLA 12DEC.05	NAME AMP MONO-SHAPE Mark II 7 POS BRIDGE TAB CONNECTORS
DIMENSIONS: mm		CHK G. TURCO 12DEC.05	
TOLERANCES UNLESS OTHERWISE SPECIFIED:		APVD G. TURCO 12DEC.05	PRODUCT SPEC 108-20213
0 PLC ± 0.5		APPLICATION SPEC 114-20104 & 114-20111	RESTRICTED TO
1 PLC ± 0.3		WEIGHT	SIZE A1
2 PLC ± 0.1		CUSTOMER DRAWING	SCALE 3:1 SHEET 2 OF 5 REV G9
3 PLC ± 0.1			
4 PLC ± 0.1			
ANGLES ± 1			
FINISH			

TAB CONNECTORS FOR RAST5 COPPER ALLOY TAB, SHROUDED HEADER COUNTERPART. (L.I.F.) VERSION DESIGNED WITHOUT RIBS AND/OR RETENTION TOOTH IN CAVITY WAY N.1 - SEE ADDITIONAL DRAWING DETAILS -AA- AND -BB-

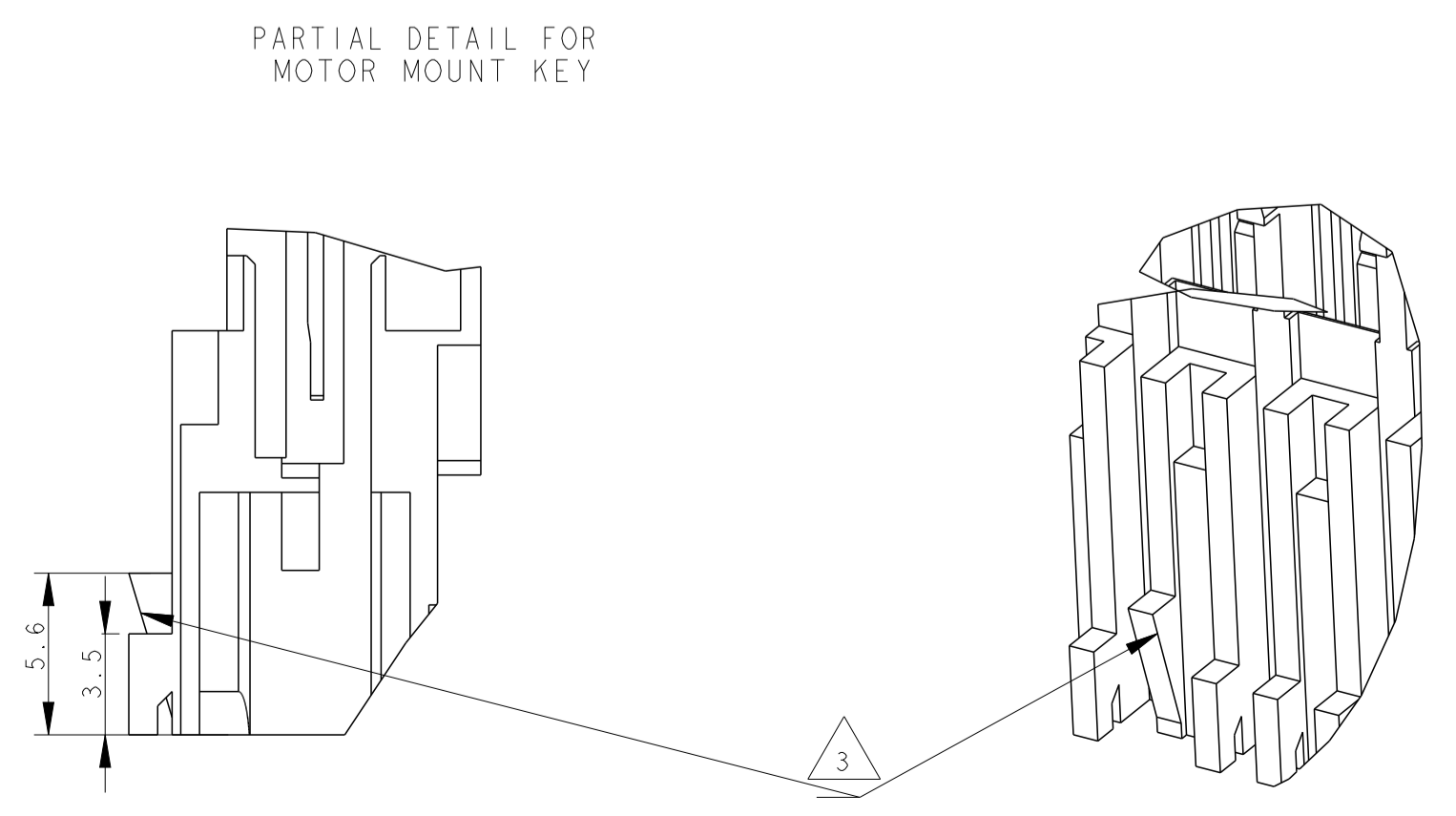
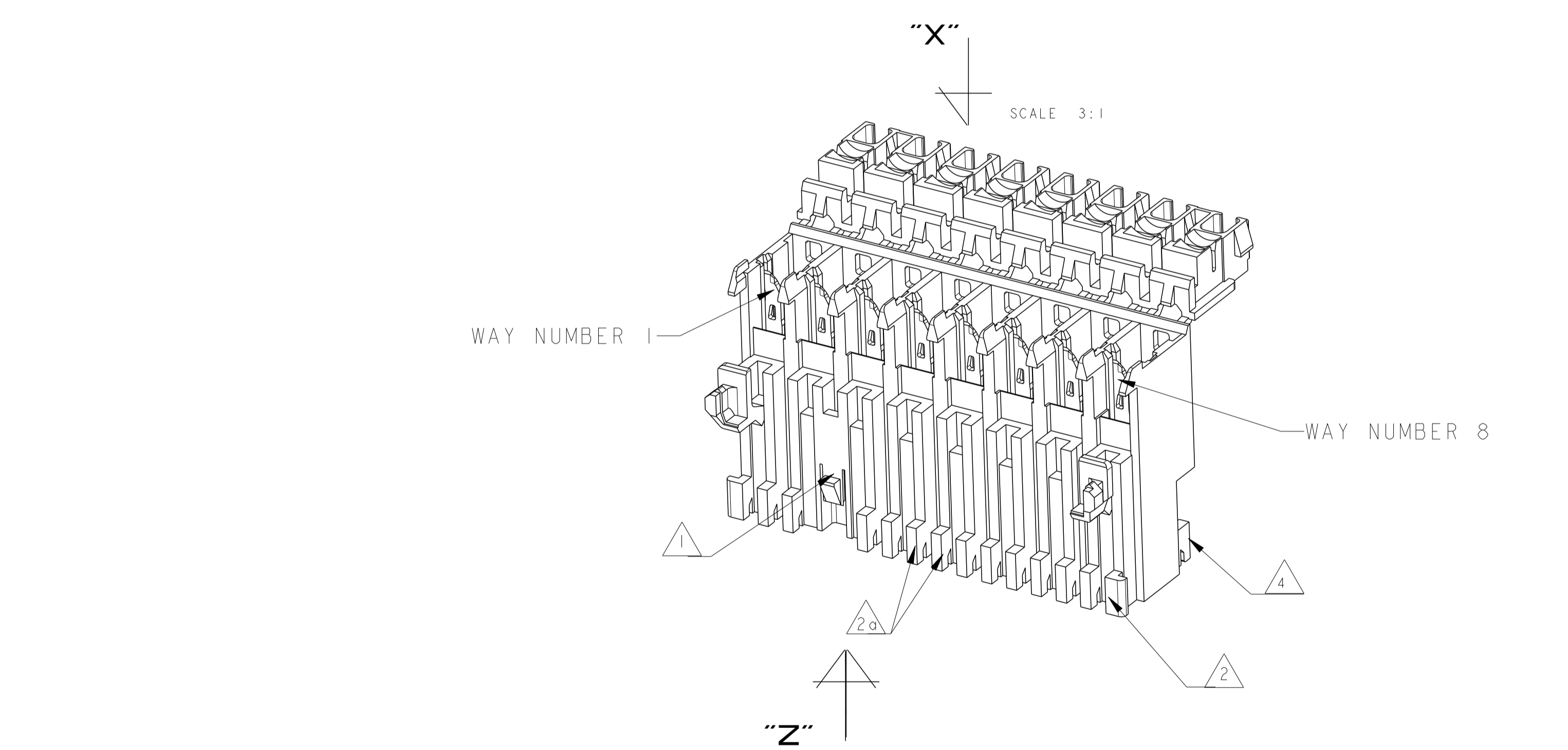
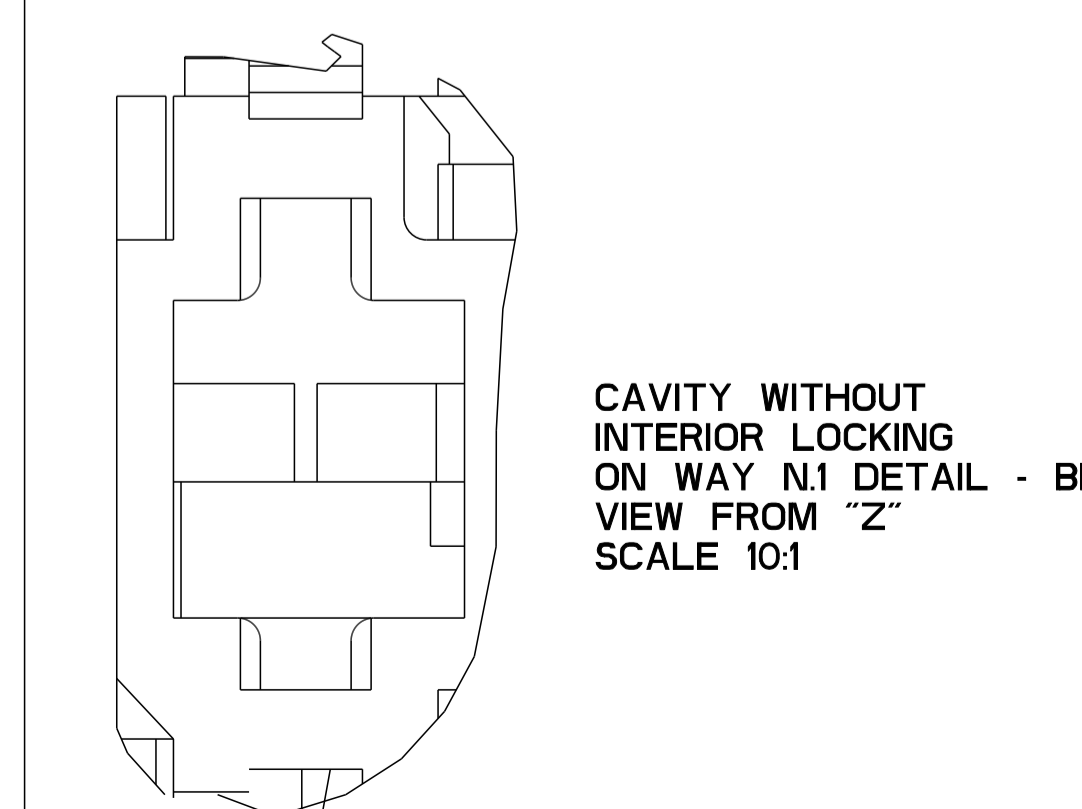
KEYING LAYOUT - SCHEMATIC VIEW FROM "X"



FOR PRODUCT LISTED ON THIS SHEET TABLE FOR 2 AND 3 POSITION CONN. ONLY, CAVITY N°1 (FIRST CAVITY) HAS NO RIBS INSIDE THE CAVITY. RETENTION TOOTH IS PRESENT SEE DETAIL -AA-
CAVITY ON WAY N1 DETAIL - AA
VIEW FROM "Z"
SCALE 10:1



FOR PRODUCT LISTED ON THIS SHEET TABLE FOR PN X-284472-5 AND ALL PART NUMBERS FROM 4 UP TO 9 POSITION CONN. CAVITY N°1 (FIRST CAVITY) HAS THE SAME GEOMETRY AS PER LAST CAVITY. NO RIBS AND RETENTION TOOTH INSIDE THE CAVITY. SEE DETAIL -BB-.



LOC	DIST	REV	DESCRIPTION	DATE	DWN	APVD
1	-	P	SEE SHEET 1			

NATURAL PA 66 - UL94-V2 VERSION (SUPERSEDED)

No. OF POS	DIM. "L"	PART NUMBER	ASS'Y REV.	NOTE	COLOR CODE
1	5.0	0-284471-1	D	-	-
2	10.0	0-284472-3	D	-	RED
3	15.0	0-284473-5	D	-	ORANGE
3	15.0	0-284473-6	D	-	GRAY
4	20.0	0-284474-3	D	-	RED
5	25.0	0-284475-2	D	-	RED
6	30.0	0-284476-5	D	-	ORANGE
7	35.0	0-284477-2	D	-	BLUE
8	40.0	0-284478-3	I	-	RED
8	40.0	0-284478-4	A	-	VIOLET
9	45.0	0-284479-1	F	-	-

NATURAL PA 66 - UL94-V0 VERSION

No. OF POS	DIM. "L"	PART NUMBER	ASS'Y REV.	NOTE	COLOR CODE
1	5.0	1-284471-1	D	-	-
2	10.0	1-284472-3	D	-	RED
3	15.0	1-284473-5	D	-	ORANGE
3	15.0	1-284473-6	D	-	GRAY
4	20.0	1-284474-3	D	-	RED
5	25.0	1-284475-2	D	-	RED
6	30.0	1-284476-5	D	-	ORANGE
7	35.0	1-284477-2	D	-	BLUE
8	40.0	1-284478-3	A	-	RED
8	40.0	1-284478-4	A	-	VIOLET
9	45.0	1-284479-1	A	-	-

NATURAL PA 66 G.W. 750 NO FLAME VERSION

No. OF POS	DIM. "L"	PART NUMBER	ASS'Y REV.	NOTE	COLOR CODE
1	5.0	3-284471-1	B	-	-
2	10.0	3-284472-3	D	-	RED
2	10.0	3-284472-4	A	-	BLACK
2	10.0	3-284472-5	A	-	GRAY
3	15.0	3-284473-5	D	-	ORANGE
3	15.0	3-284473-6	D	-	GRAY
4	20.0	3-284474-3	D	-	RED
5	25.0	3-284475-2	D	-	RED
5	25.0	3-284475-3	A	-	RED
6	30.0	3-284476-5	D	-	ORANGE
7	35.0	3-284477-2	B	-	BLUE
7	35.0	3-284477-6	A	-	BLACK
8	40.0	3-284478-3	A	-	RED
8	40.0	3-284478-4	F	-	VIOLET
9	45.0	3-284479-1	A	-	-

NATURAL PA 66 - UL94-V0 and GWIT 750 NF VERSION (PRELIMINARY-NOT YET IN PRODUCTION)

No. OF POS	DIM. "L"	PART NUMBER	ASS'Y REV.	NOTE	COLOR CODE
1	5.0	4-284471-1	A	-	-
2	10.0	4-284472-3	A	-	RED
2	10.0	4-284472-4	A	-	BLACK
2	10.0	4-284472-5	A	-	GRAY
3	15.0	4-284473-5	A	-	ORANGE
3	15.0	4-284473-6	A	-	GRAY
4	20.0	4-284474-3	A	-	RED
5	25.0	4-284475-2	A	-	RED
6	30.0	4-284476-5	A	-	ORANGE
7	35.0	4-284477-2	A	-	BLUE
8	40.0	4-284478-3	A	-	RED
8	40.0	4-284478-4	A	-	VIOLET
9	45.0	4-284479-1	A	-	-

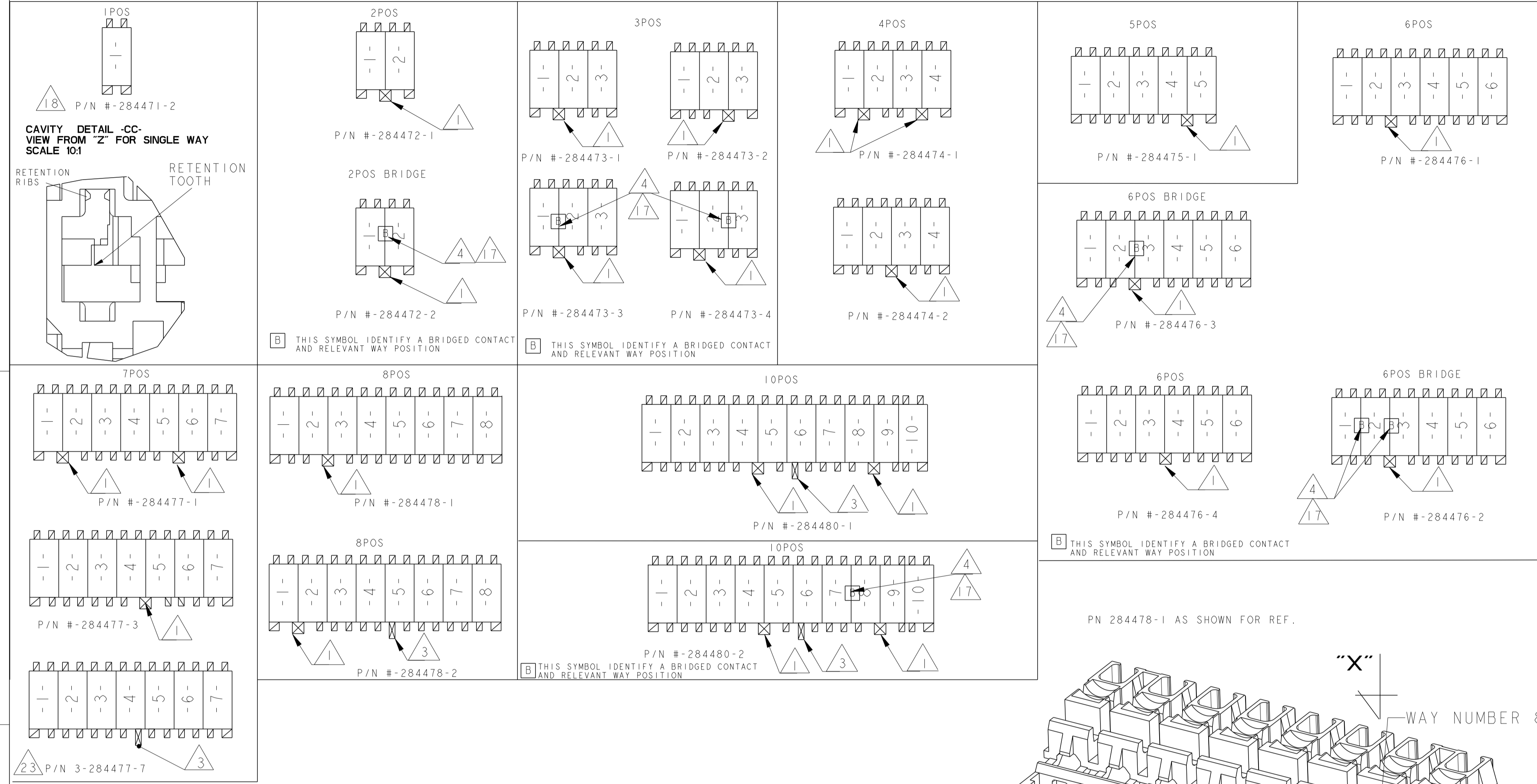
THIS DRAWING IS A CONTROLLED DOCUMENT.

DIMENSIONS: mm	TOLERANCES UNLESS OTHERWISE SPECIFIED:	DWN: M. COLOMBO 20APR2000	CHK: G. TURCO 20APR2000	APVD: G. TURCO 20APR2000	NAME: AMP MONO-SHAPE Mark 1 I 1-10 POS TAB CONNECTORS
0 PLC ± 0.5	1 PLC ± 0.3	2 PLC ± 0.3	3 PLC ± 0.3	4 PLC ± 0.3	ANGLES ± 1
MATERIAL: SEE SHEET 1	FINISH: -	WEIGHT: -	CAGE CODE: A1	DRAWING NO: C=284471	RESTRICTED TO: -
CUSTOMER DRAWING		SCALE: 5:1	SHEET: 3 OF 5	REV: G9	

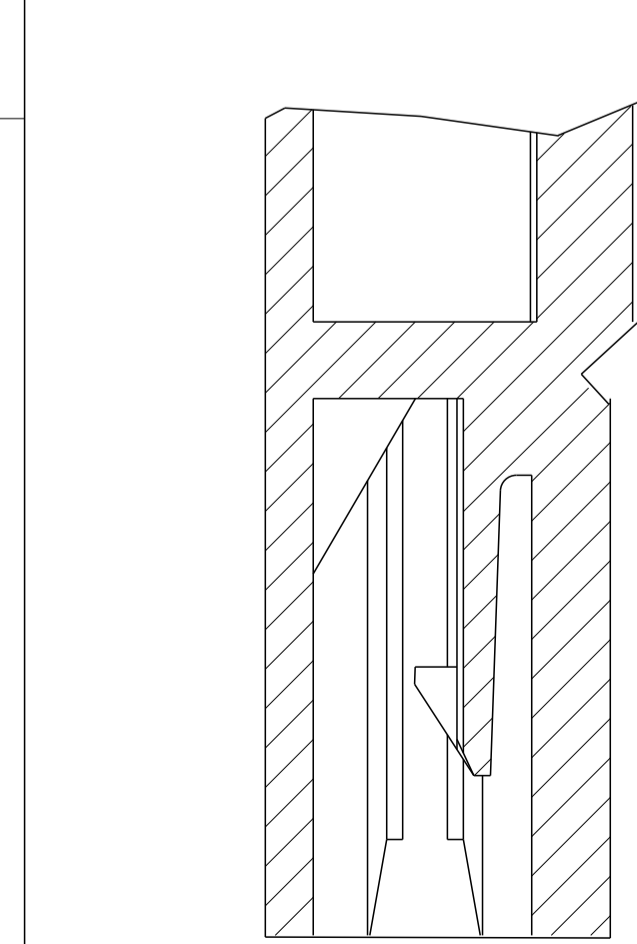
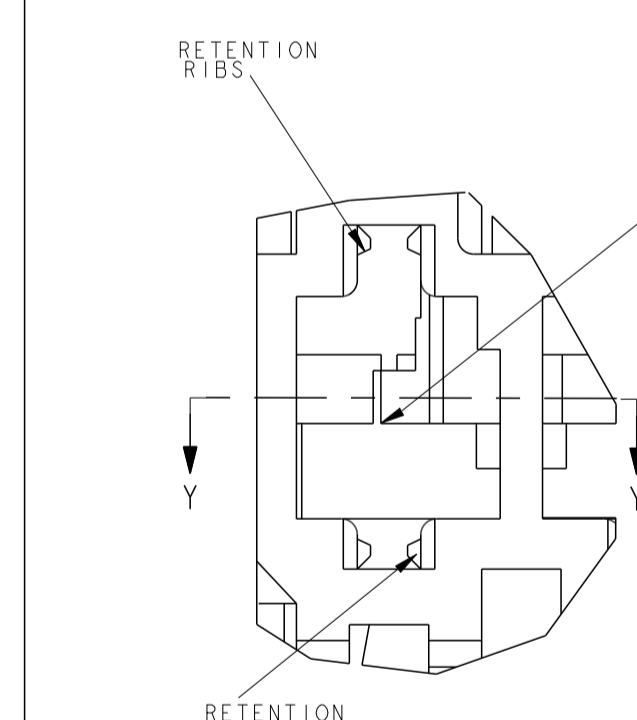
TABCONNECTORS FOR COPPER ALLOY, UNSHROUDED TAB COUNTERPART. VERSION DESIGNED WITH RIBS AND RETENTION TOOTH IN CAVITY WAY N.1 - SEE DETAIL "CC"

LOC	DIST	REVISONS	USED ON
1	-		
P	LTM	DESCRIPTION	DATE
		SEE SHEET 1	

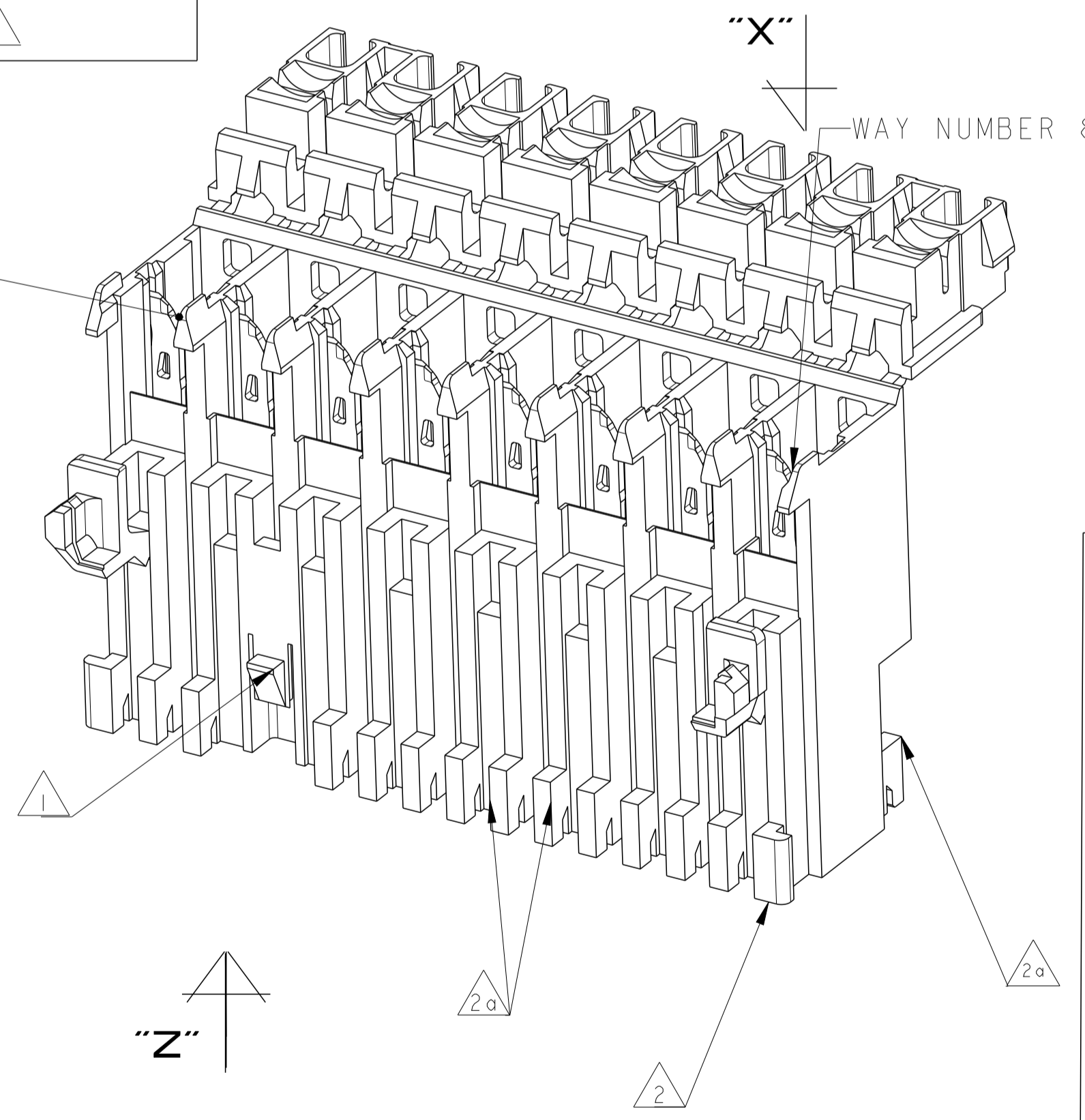
KEYING LAYOUT - SCHEMATIC VIEW FROM "X"



CAVITY ON WAY N1 DETAIL - CC - VIEW FROM "Z" FOR POS 2 TO 10 SCALE 10:1



- 1 SYMBOL USED TO IDENTIFY LOCKING LANCE BETWEEN CAVITY-NO.
- 2 KEYING RIB ON FIRST AND LAST CAVITY SEE ALSO NOTE 15
- 2a TYPICAL KEYING RIB SEE ALSO NOTE 15
- 3 SYMBOL USED FOR SPECIAL KEYING FOR MOTOR MOUNT APPLICATIONS FOR PRESENCE AND PROPER POSITION SEE SKETCH ON RELEVANT PART NUMBER
- 4 FOR BRIDGE CONFIGURATIONS PN 284472-2 THE CAVITY NUMBER 2 IS CLOGGED ON THE FRONT SIDE, THIS WILL PREVENT TAB INSERTION ONLY WAY NUMBER ONE CAN ACCEPT TAB COUNTERPART. SEE SKETCH ON THE LAST SHEET
- 5 MANUFACTURER LOGO FREE POSITION
- 6 CIRCUIT IDENTIFICATION
- 7 BECOMES 6.5 FOR SINGLE WAY AND FIRST AND LAST CAVITY
- 8 PACKAGING PER SPEC. 107-20213
- 9 MATERIALS:
 - HOUSINGS: NYLON UNFILLED, BASED ON PRODUCT APPLICATION DIFFERENT TYPE OF MATERIAL ARE AVAILABLE,
 - UL94-V2 GRADE - PRE DASH 0
 - UL94-V0 GRADE - PRE DASH 1
 - UL94-V2 & GLOW WIRE 750* NO FLAME GRADE - PRE DASH 3
 - UL94-V0 & GLOW WIRE 750* NO FLAME GRADE - PRE DASH 4
 FOR DETAIL SEE RELEVANT TABLE.
 - CONTACTS: HIGH CONDUCTIVITY COPPER ALLOY
- 10 CONTACT POSITION IN HOUSING CAVITY
- 11 COLOUR: SEE TABLE FOR P/Ns IDENTIFICATION BEFORE CRIMPING OPERATION, ONLY DEFINITIVE COLOR MARKING TO BE MADE BY APPLICATION MACHINE.
- 12 STRIP-CLIPS TO BE CUT OFF BY APPLICATION MACHINE
- 13 CONNECTOR SUITABLE FOR COPPER ALLOY TAB 6.3x0.8 COUNTERPART, DIMENSIONS ACCORDING TO DIN 46244}
- 14 VERSIONS NOT RELEASED FOR PRODUCTION
- 15 INDIVIDUAL KEYING CUT OFF TO BE MADE BY APPLICATION MACHINE



NATURAL PA 66 - UL94-V2 VERSION (SUPERSEDED)

No. OF POS	DIM. "L"	PART NUMBER	ASS'Y REV.	NOTE	COLOR CODE
-	-	-	-	-	-
2	10.0	0-284472-1	D	-	-
2	10.0	0-284472-2	D	BRIDGE (1-2)	BLUE
3	15.0	0-284473-1	D	-	-
3	15.0	0-284473-2	C	-	BLUE
3	15.0	0-284473-3	C	BRIDGE (1-2)	RED
3	15.0	0-284473-4	F	BRIDGE (2-3)	VIOLET
4	20.0	0-284474-1	D	-	-
4	20.0	0-284474-2	D	-	BLUE
5	25.0	0-284475-1	D	-	-
6	30.0	0-284476-1	D	-	-
6	30.0	0-284476-2	D	BRIDGE (1-2-3)	BLUE
6	30.0	0-284476-3	D	BRIDGE (2-3)	RED
6	30.0	0-284476-4	D	-	VIOLET
7	35.0	0-284477-1	D	-	-
7	35.0	0-284477-3	D	-	RED
8	40.0	0-284478-1	D	-	-
8	40.0	0-284478-2	A	-	BLUE
10	50.0	0-284480-1	D	-	-
10	50.0	0-284480-2	D	BRIDGE 7-8	BLUE

NATURAL PA 66 - UL94-V0 VERSION

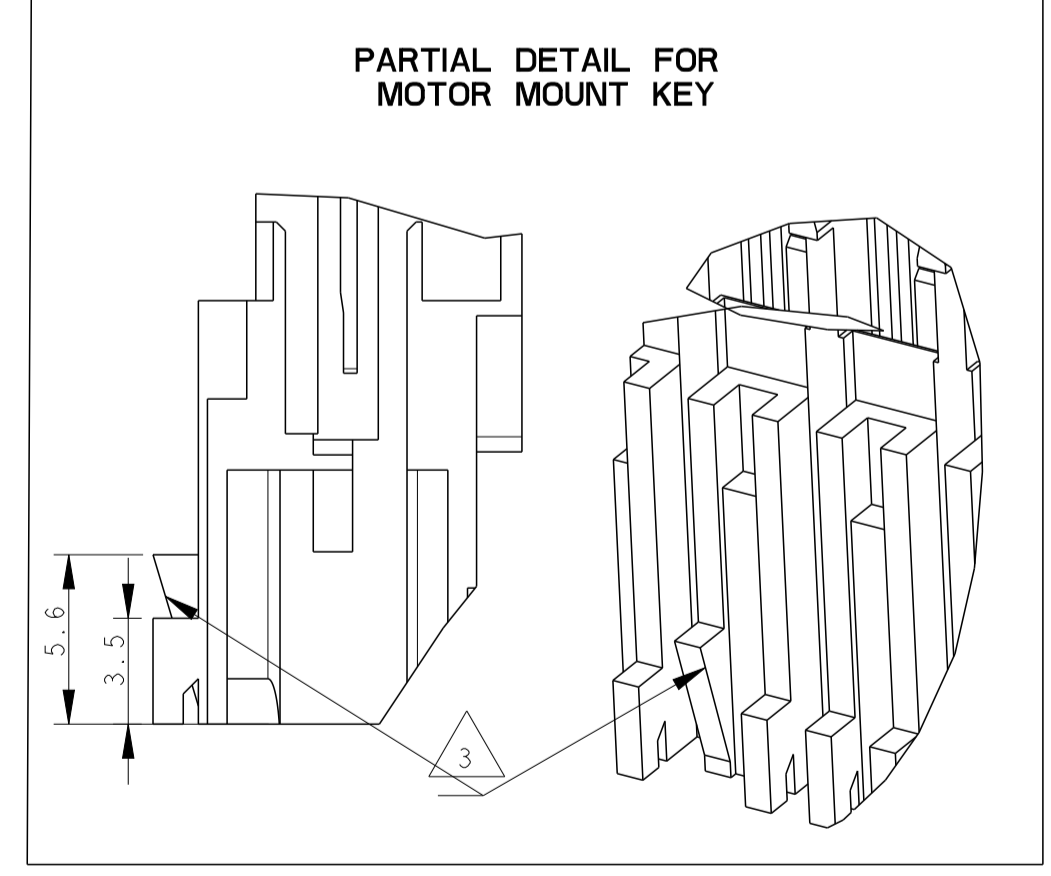
No. OF POS	DIM. "L"	PART NUMBER	ASS'Y REV.	NOTE	COLOR CODE
-	-	-	-	-	-
2	10.0	1-284472-1	D	-	-
2	10.0	1-284472-2	D	BRIDGE (1-2)	BLUE
3	15.0	1-284473-1	D	-	-
3	15.0	1-284473-2	D	-	BLUE
3	15.0	1-284473-3	D	BRIDGE (1-2)	RED
3	15.0	1-284473-4	D	BRIDGE (2-3)	VIOLET
4	20.0	1-284474-1	D	-	-
4	20.0	1-284474-2	D	-	BLUE
5	25.0	1-284475-1	D	-	-
6	30.0	1-284476-1	D	-	-
6	30.0	1-284476-2	D	BRIDGE (1-2-3)	BLUE
6	30.0	1-284476-3	D	BRIDGE (2-3)	RED
6	30.0	1-284476-4	D	-	VIOLET
7	35.0	1-284477-1	D	-	-
7	35.0	1-284477-3	D	-	RED
8	40.0	1-284478-1	D	-	-
8	40.0	1-284478-2	D	-	BLUE
10	50.0	1-284480-1	D	-	-
10	50.0	1-284480-2	D	BRIDGE 7-8	BLUE

NATURAL PA 66 G.W. 750 NO FLAME VERSION

No. OF POS	DIM. "L"	PART NUMBER	ASS'Y REV.	NOTE	COLOR CODE
1	5.0	3-284471-2	A	-	-
2	10.0	3-284472-1	B	-	-
2	10.0	3-284472-2	F	BRIDGE (1-2)	BLUE
3	15.0	3-284473-1	B	-	-
3	15.0	3-284473-2	B	-	BLUE
3	15.0	3-284473-3	A	BRIDGE (1-2)	RED
3	15.0	3-284473-4	F	BRIDGE (2-3)	VIOLET
4	20.0	3-284474-1	B	-	-
4	20.0	3-284474-2	F	-	BLUE
5	25.0	3-284475-1	B	-	-
6	30.0	3-284476-1	B	-	-
6	30.0	3-284476-2	A	BRIDGE (1-2-3)	BLUE
6	30.0	3-284476-3	A	BRIDGE (2-3)	RED
6	30.0	3-284476-4	A	-	VIOLET
7	35.0	3-284477-1	F	-	-
7	35.0	3-284477-3	F	-	RED
7	35.0	3-284477-7	A	-	-
8	40.0	3-284478-1	F	-	-
8	40.0	3-284478-2	D	-	BLUE
10	50.0	3-284480-1	F	-	-
10	50.0	3-284480-2	F	BRIDGE 7-8	BLUE

NATURAL PA 66 - UL94-V0 and GWIT 750 NF VERSION (PRELIMINARY-NOT YET IN PRODUCTION)

No. OF POS	DIM. "L"	PART NUMBER	ASS'Y REV.	NOTE	COLOR CODE
1	5.0	4-284471-2	A	-	-
2	10.0	4-284472-1	A	-	-
2	10.0	4-284472-2	A	BRIDGE (1-2)	BLUE
3	15.0	4-284473-1	A	-	-
3	15.0	4-284473-2	A	-	BLUE
3	15.0	4-284473-3	A	BRIDGE (1-2)	RED
3	15.0	4-284473-4	A	BRIDGE (2-3)	VIOLET
4	20.0	4-284474-1	A	-	-
4	20.0	4-284474-2	A	-	BLUE
5	25.0	4-284475-1	A	-	-
6	30.0	4-284476-1	A	-	-
6	30.0	4-284476-2	A	BRIDGE (1-2-3)	BLUE
6	30.0	4-284476-3	A	BRIDGE (2-3)	RED
6	30.0	4-284476-4	A	-	VIOLET
7	35.0	4-284477-1	A	-	-
7	35.0	4-284477-3	A	-	RED
8	40.0	4-284478-1	A	-	-
8	40.0	4-284478-2	A	-	BLUE
10	50.0	4-284480-1	A	-	-
10	50.0	4-284480-2	A	BRIDGE 7-8	BLUE



- 16 CONNECTOR SUITABLE FOR A WIRE RANGE FROM 0.5 UP TO 1.5 SQ. mm SECTION (SEE PRODUCT SPEC. 108-20213 AND APPLICATION SPEC. 114-20103 } 114-20111)
- 17 BRIDGE CONNECTOR ARE FOR SPECIAL APPLICATION AND SUITABLE FOR A WIRE RANGE FROM 0.5 UP TO 1.0 SQ. mm, WIRE 1.5 SQ. mm SECTION CAN BE USED BUT THE CURRENT LIMIT IS STILL 10 A MAX.
- 18 CONNECTOR MANUFACTURED FOR SPECIAL APPLICATION VERSION HAVING ADDITIONAL RETENTION RIBS IN CAVITY
- 19 OBSOLETE: OBSOLETE CIS STREAMLINING PER D.RENAUD/D.SINISI
- 20 OBSOLETE
- 21 -
- 22 RIGID LOCKING LATCH FOR HIGH RETENTION FORCE. For Details see Sheet 5 of 5
- 23 RETENTION RIBS AND RETENTION TEETHS ARE REMOVED ON CAVITY 1 FOR PN 3-284477-7

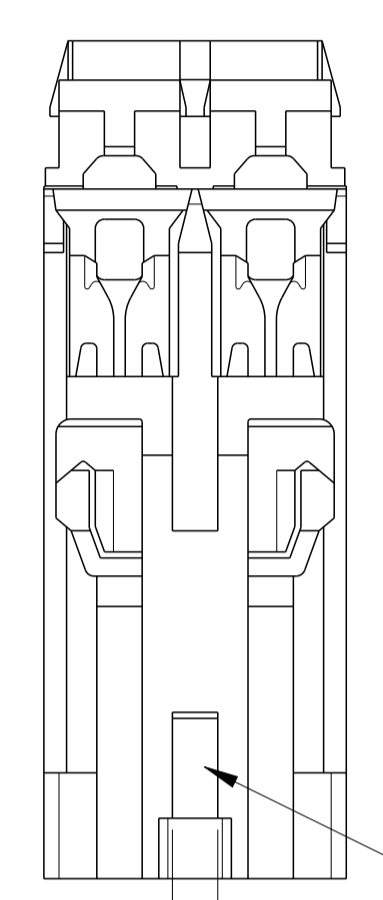
THIS DRAWING IS A CONTROLLED DOCUMENT.

DIMENSIONS: mm	TOLERANCES UNLESS OTHERWISE SPECIFIED:	OWN: M. COLOMBO 20APR2000	CHK: G. TURCO 20APR2000	APVD: G. TURCO 20APR2000	NAME: AMP MONO-SHAPE Mark II 1-10 POS TAB CONNECTORS
0 PLC ±0.5	1 PLC ±0.3	2 PLC ±0.3	3 PLC ±0.3	4 PLC ±0.3	ANGLES ±0.1
MATERIAL: SEE SHEET 1	FINISH: SEE NOTE	WEIGHT: -	SIZE: A1	CAGE CODE: C=284471	RESTRICTED TO: -
CUSTOMER DRAWING		SCALE: 5:1	SHEET: 4 OF 5	REV: G9	

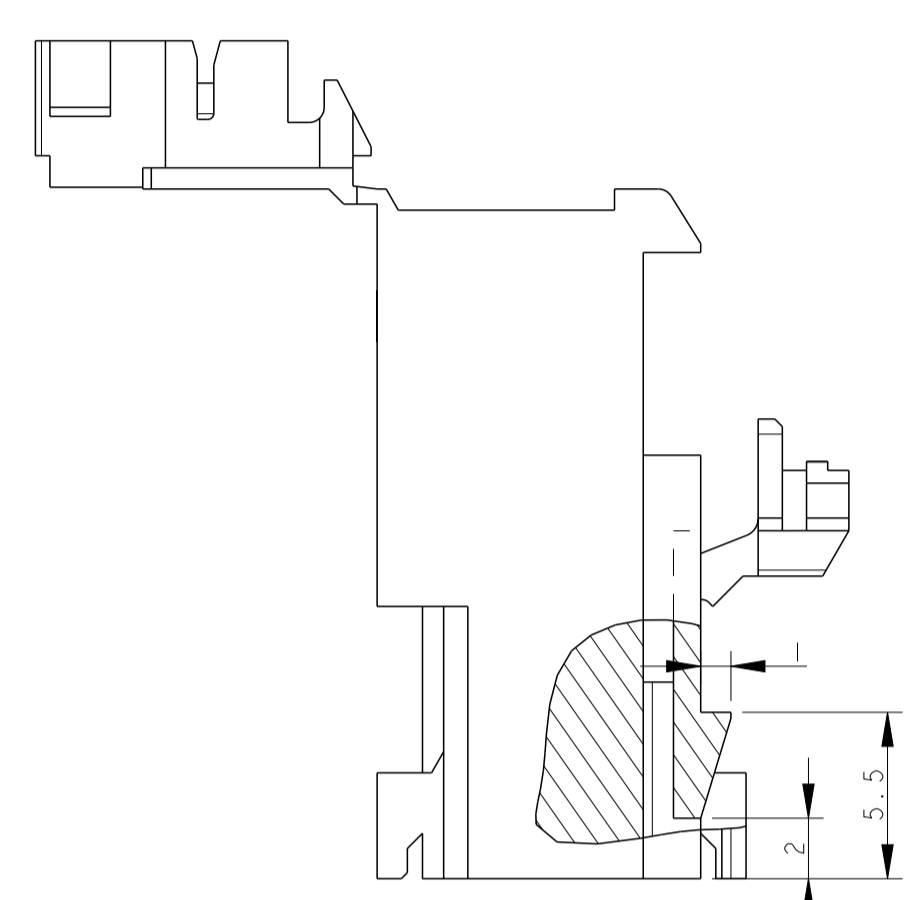
22

RIGID LOCKING LATCHES FOR HIGH RETENTION FORCE

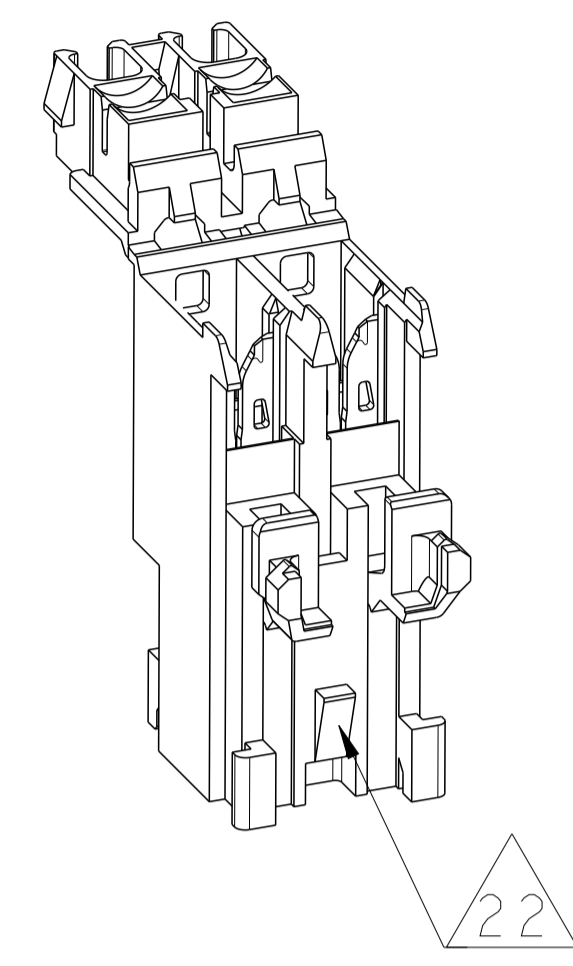
P/N 8-284472-3



SCALE 4:1
1.5

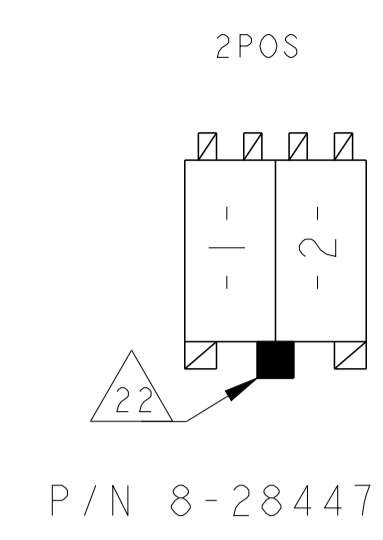


SECTION A-A



22

KEYING LAYOUT SCHEMATIC VIEW FROM "X"



LOC	DIST	REVISIONS			
P	LTN	DESCRIPTION	DATE	DWN	APVD
		SEE SHEET 1			

THIS P/N 8-284472-3 IS SIMILAR TO 3-284472-3, BUT WITH RIGID LOCKING LATCH.

9 NATURAL PA 66
G.W. 750 NO FLAME VERSION

No. OF POS	DIM. "L"	PART NUMBER	ASS'Y REV.	NOTE	COLOR CODE
1	-	-	-	-	-
2	10.0	8-284472-3	B	-	BLACK
2					
2					
3					
3					
4					
5					
5					
6					
7					
7					
8					
8					
9					

THIS DRAWING IS A CONTROLLED DOCUMENT.		DWN M. COLOMBO Z0APR2000	
DIMENSIONS: mm		CHK G. TURCO Z0APR2000	
TOLERANCES UNLESS OTHERWISE SPECIFIED:		APVD S. TURCO Z0APR2000	NAME
0 PLC ±0.5		PRODUCT SPEC	AMP MONO-SHAPE Mark II 1-10 POS TAB CONNECTORS
1 PLC ±0.3		SEE SHEET 1	
2 PLC ±		APPLICATION SPEC	SIZE CAGE CODE DRAWING NO
3 PLC ±		SEE SHEET 1	A1 C=284471
4 PLC ±		FINISH SEE NOTE	RESTRICTED TO
ANGLES ±1		WEIGHT	-
MATERIAL SEE SHEET 1		CUSTOMER DRAWING	SCALE 5:1 SHEET 5 OF 5 REV G9