



Chipsmall Limited consists of a professional team with an average of over 10 year of expertise in the distribution of electronic components. Based in Hongkong, we have already established firm and mutual-benefit business relationships with customers from,Europe,America and south Asia,supplying obsolete and hard-to-find components to meet their specific needs.

With the principle of “Quality Parts,Customers Priority,Honest Operation,and Considerate Service”,our business mainly focus on the distribution of electronic components. Line cards we deal with include Microchip,ALPS,ROHM,Xilinx,Pulse,ON,Everlight and Freescale. Main products comprise IC,Modules,Potentiometer,IC Socket,Relay,Connector.Our parts cover such applications as commercial,industrial, and automotives areas.

We are looking forward to setting up business relationship with you and hope to provide you with the best service and solution. Let us make a better world for our industry!



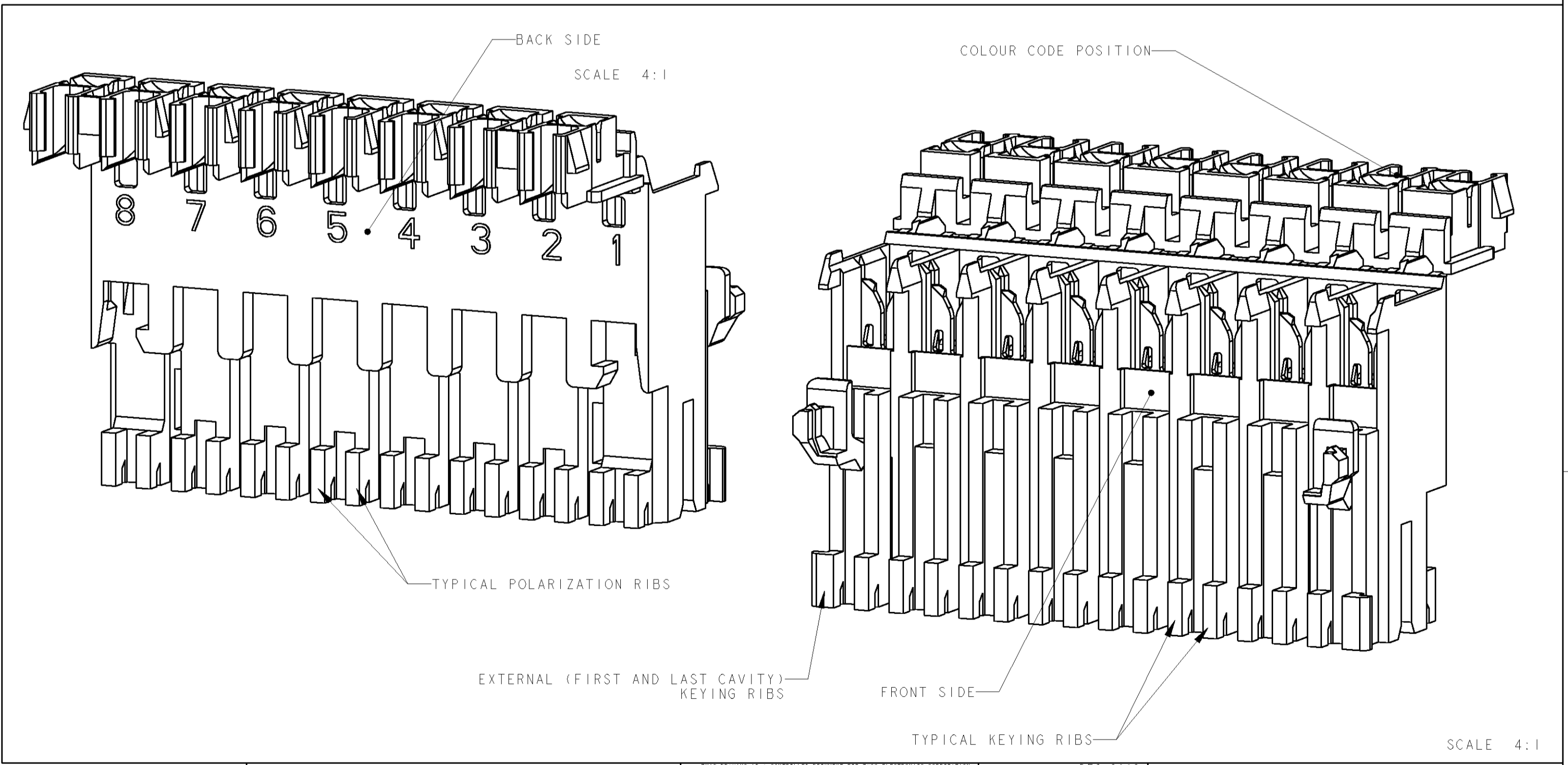
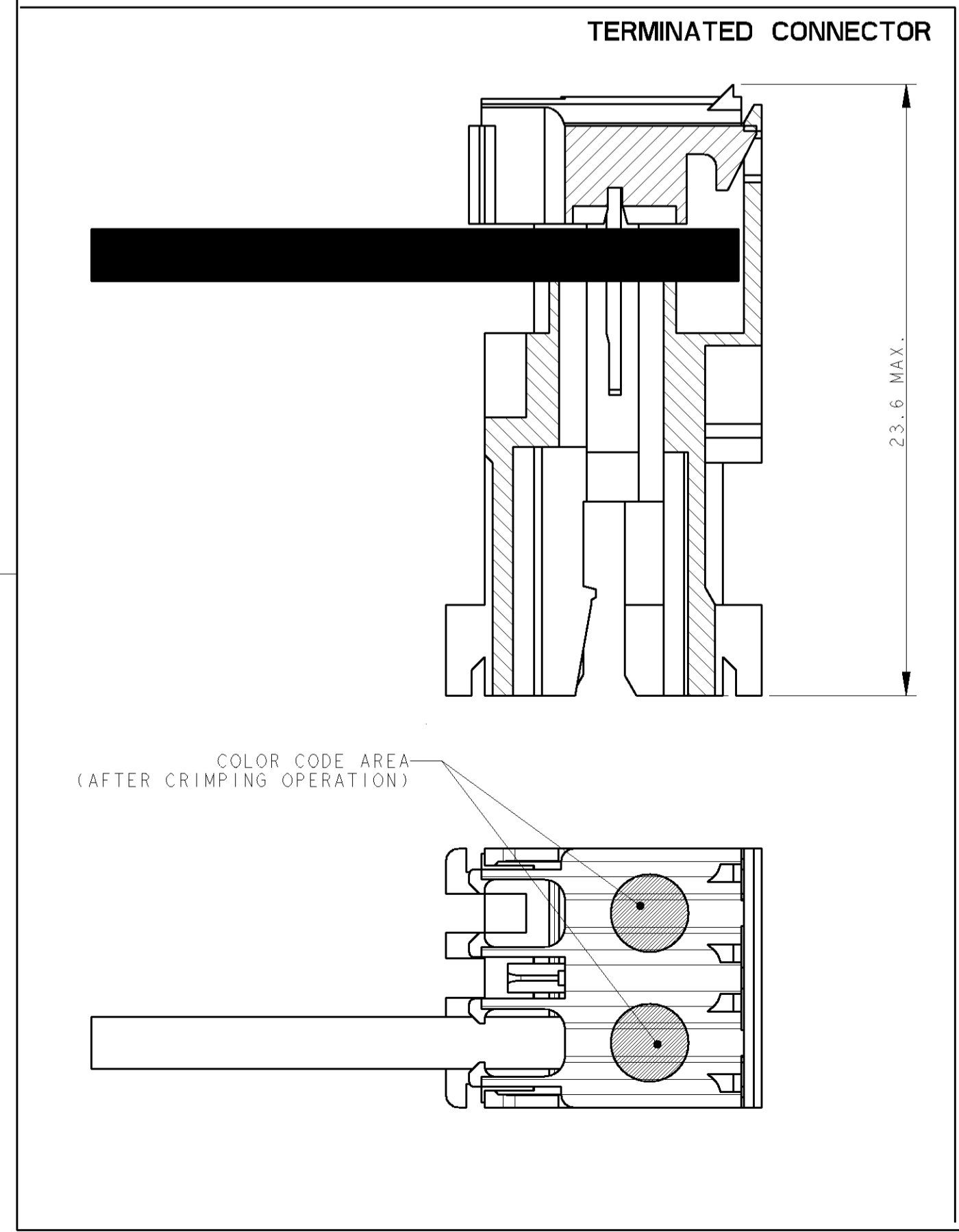
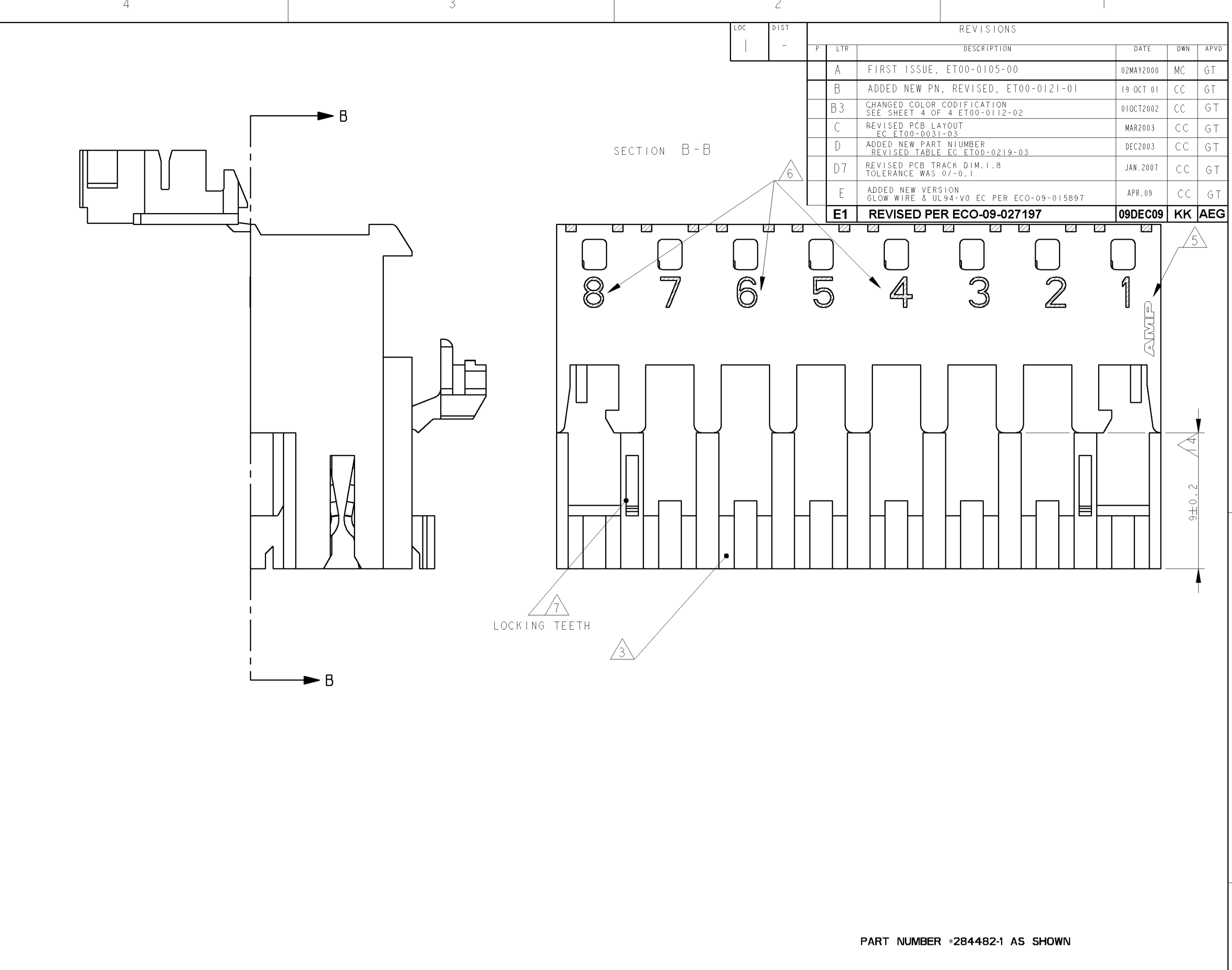
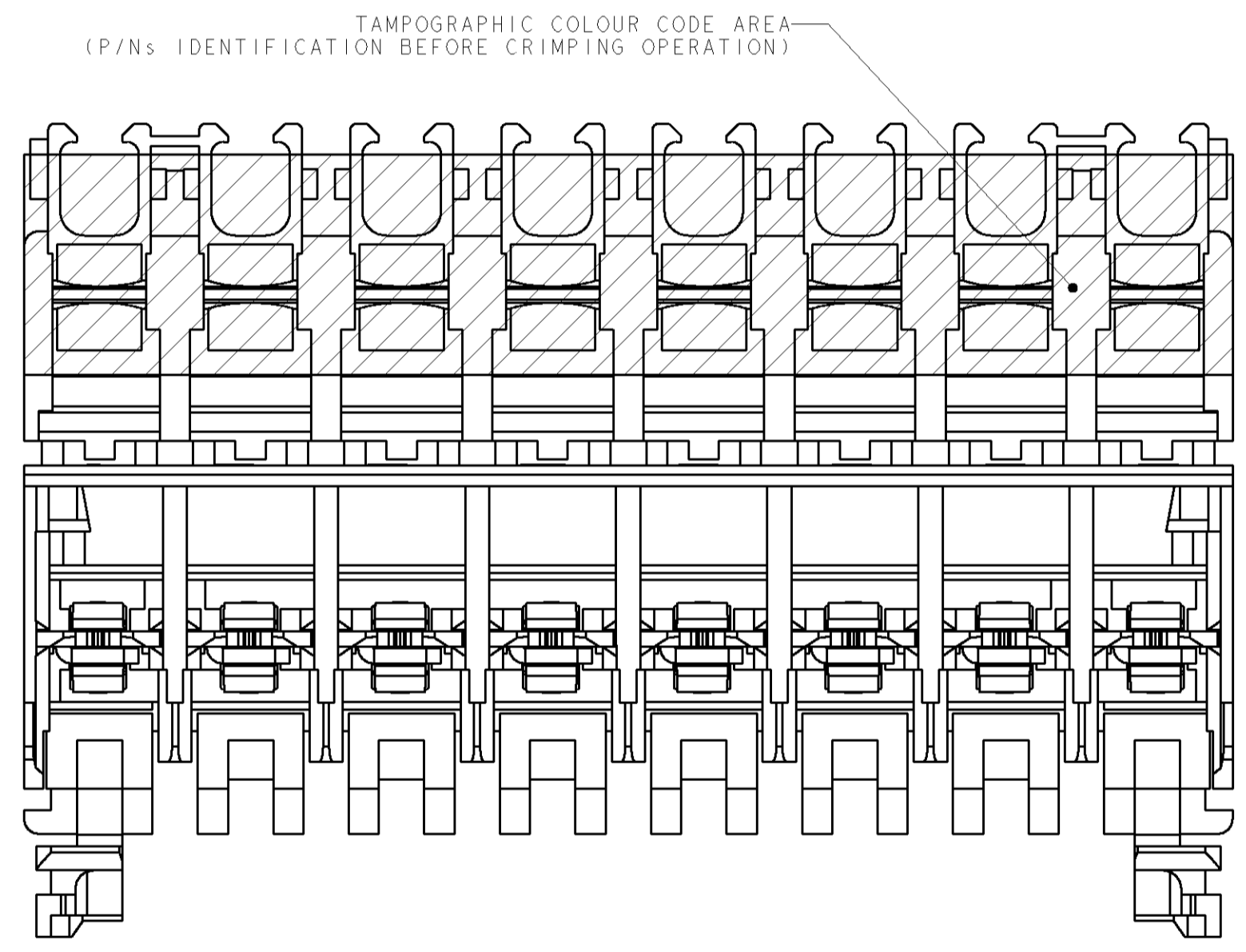
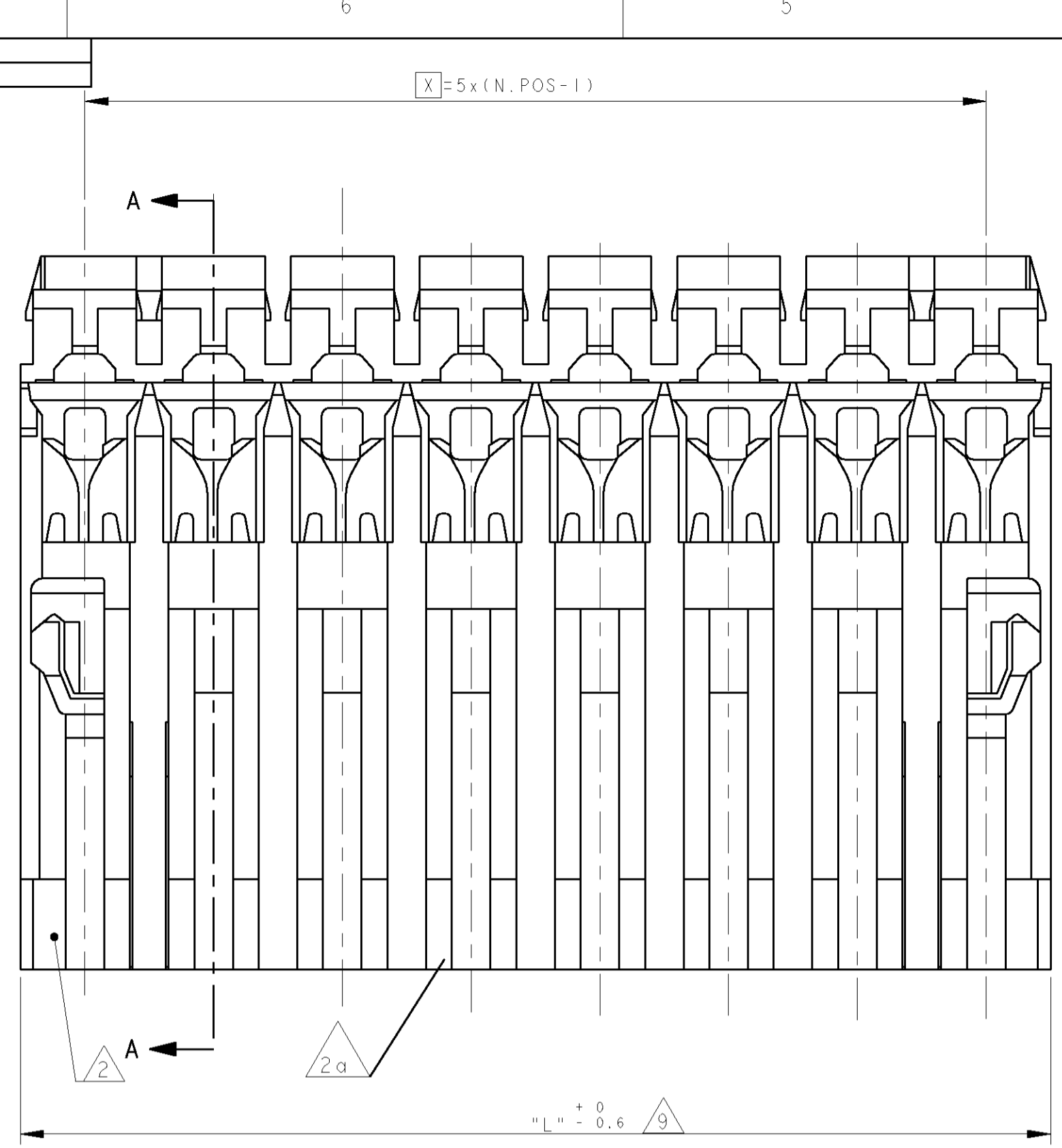
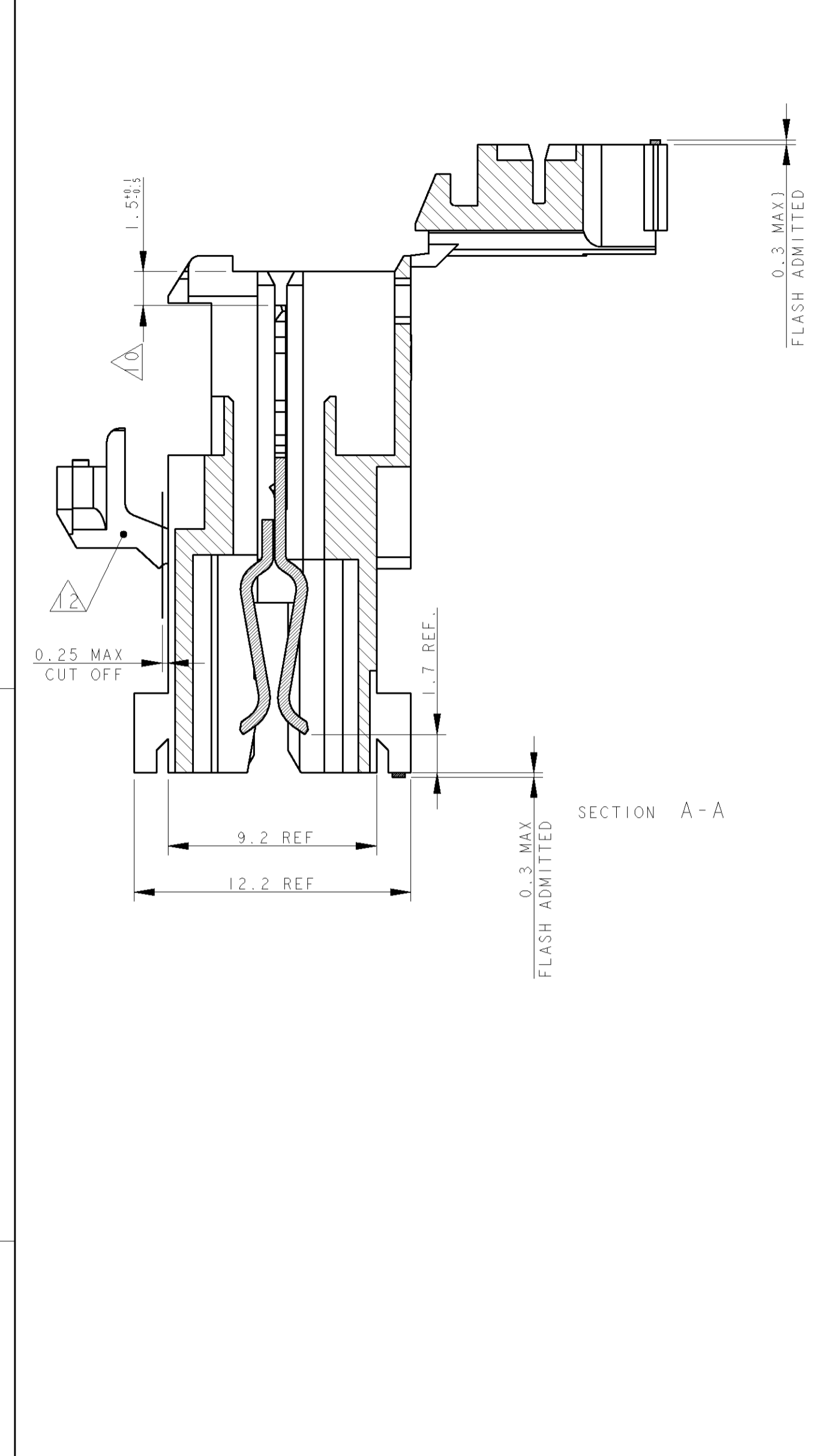
Contact us

Tel: +86-755-8981 8866 Fax: +86-755-8427 6832

Email & Skype: info@chipsmall.com Web: www.chipsmall.com

Address: A1208, Overseas Decoration Building, #122 Zhenhua RD., Futian, Shenzhen, China

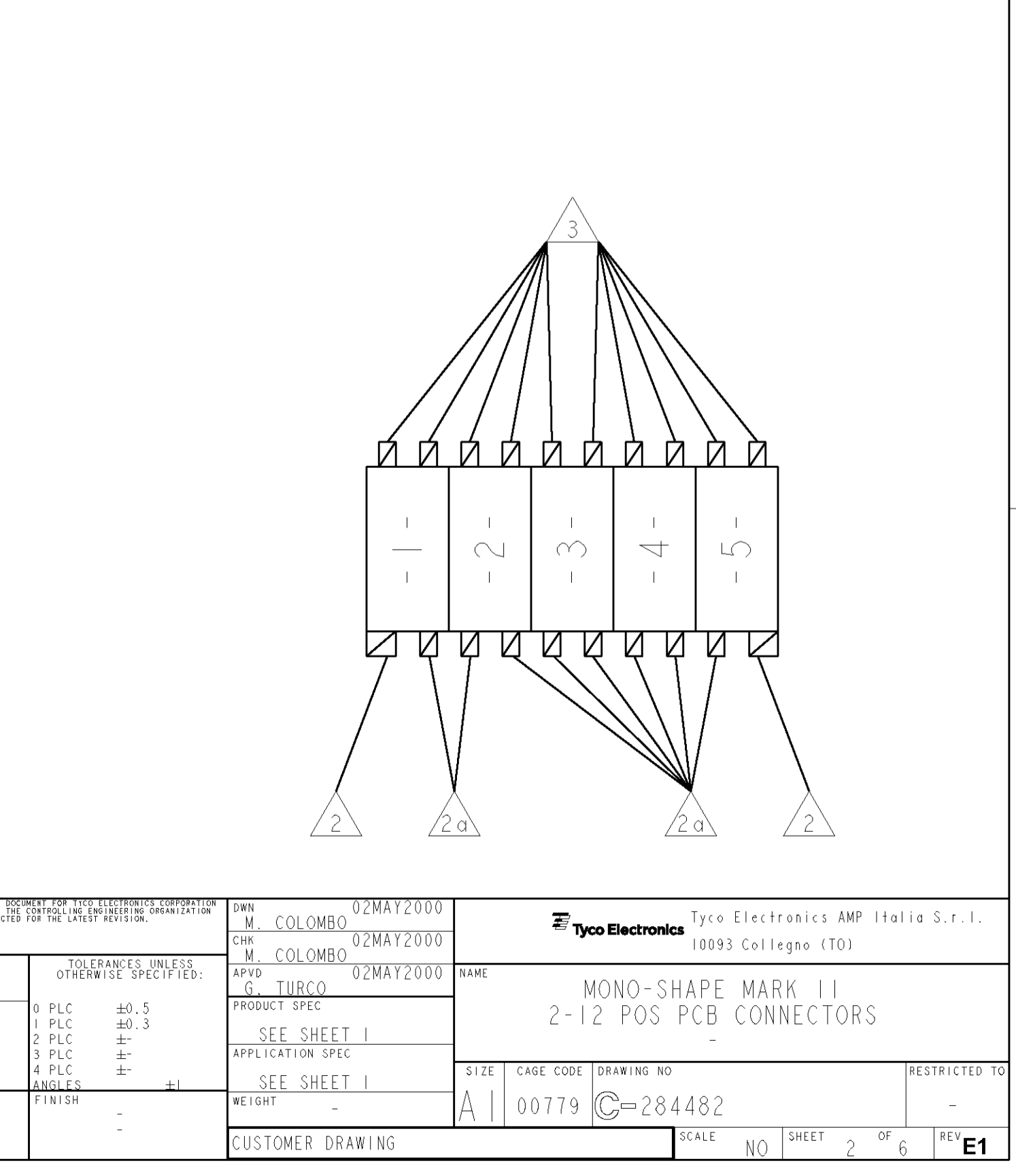
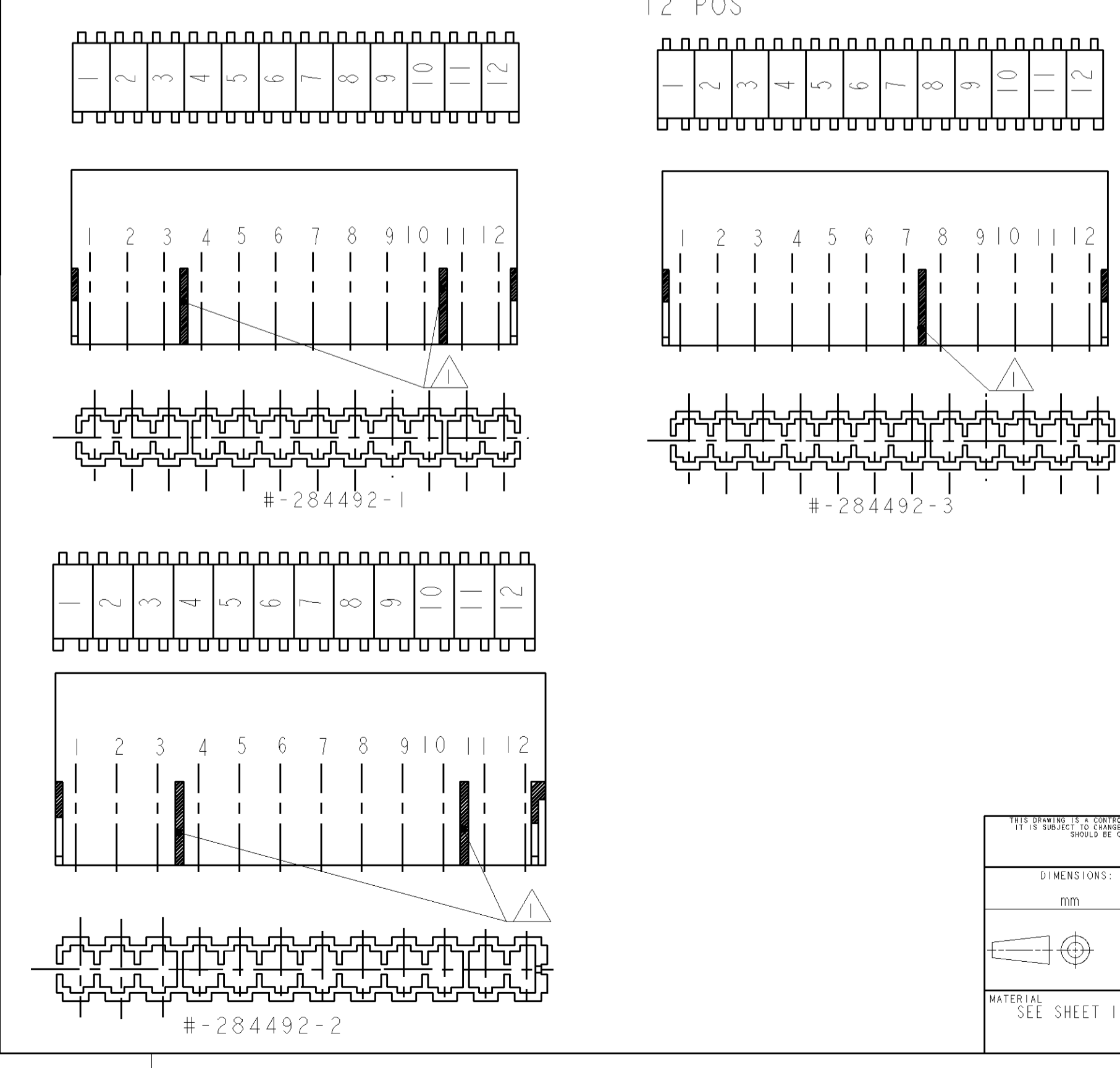
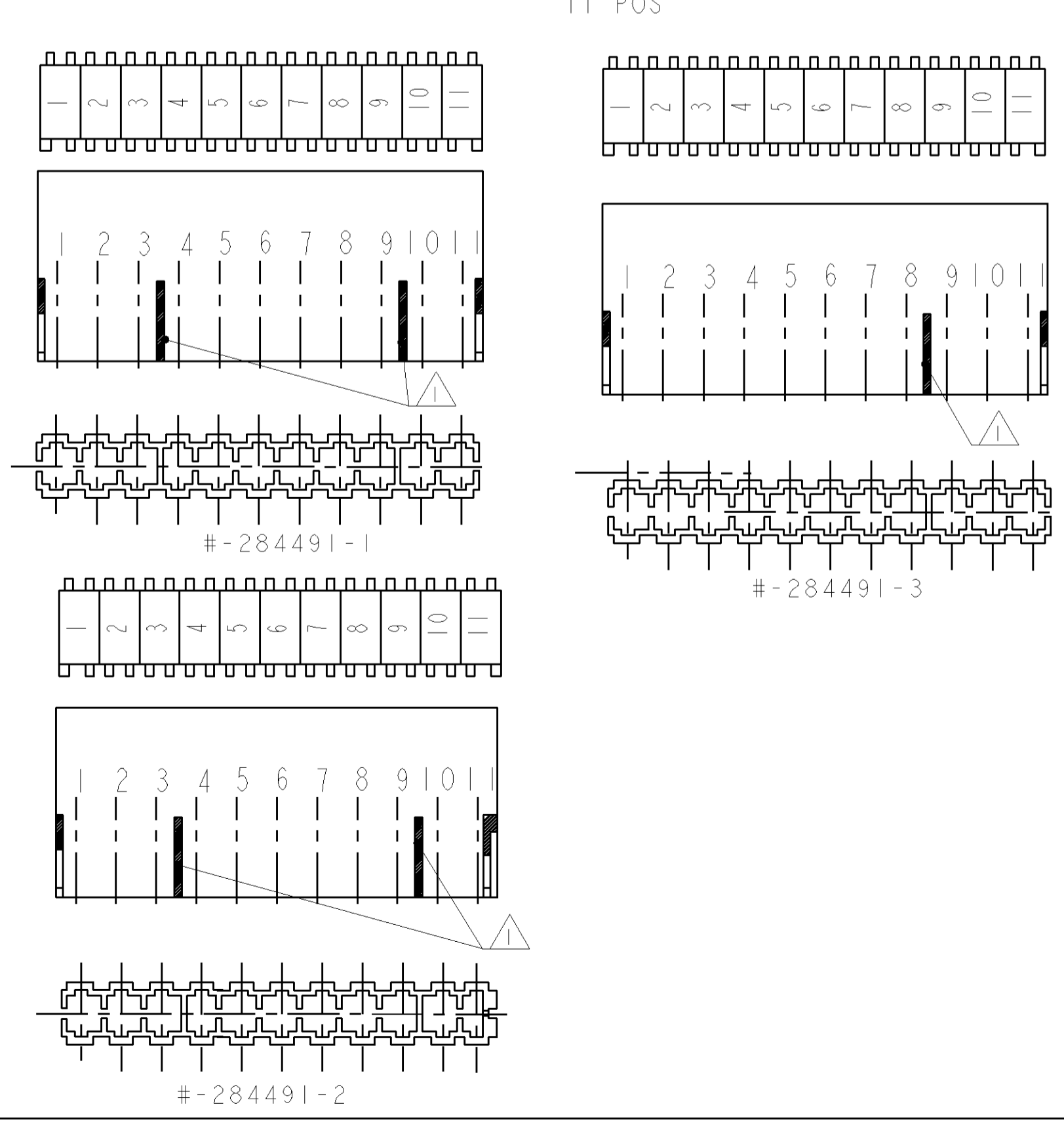
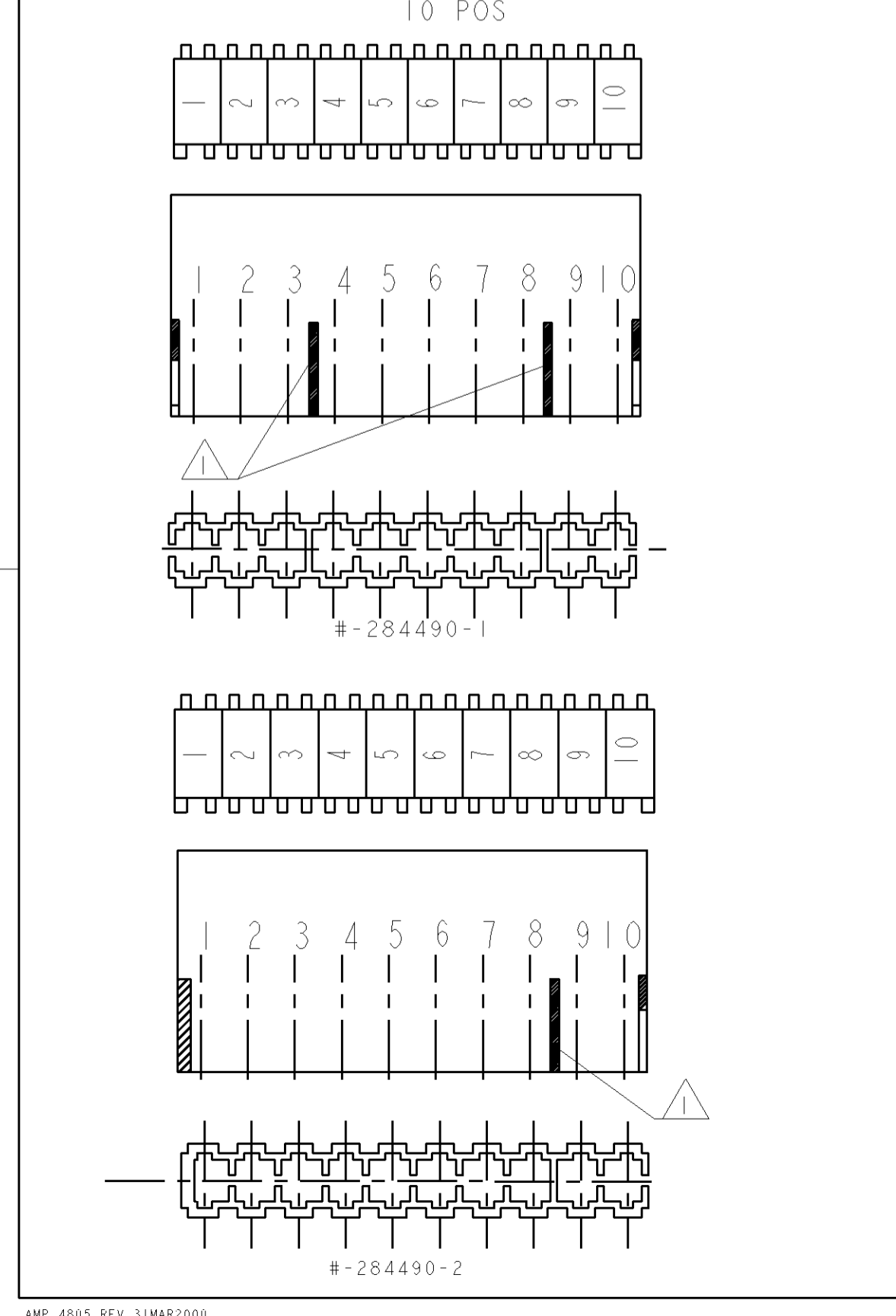
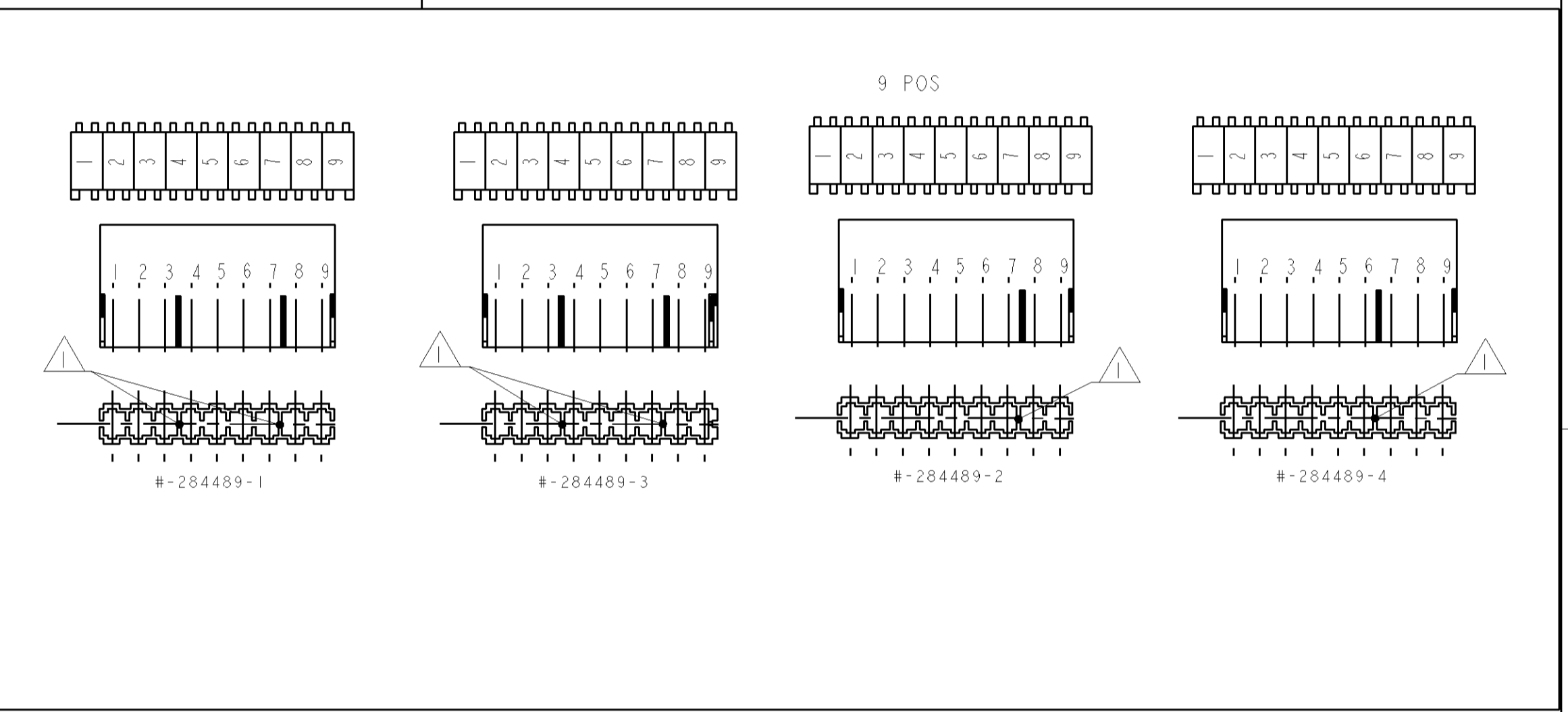
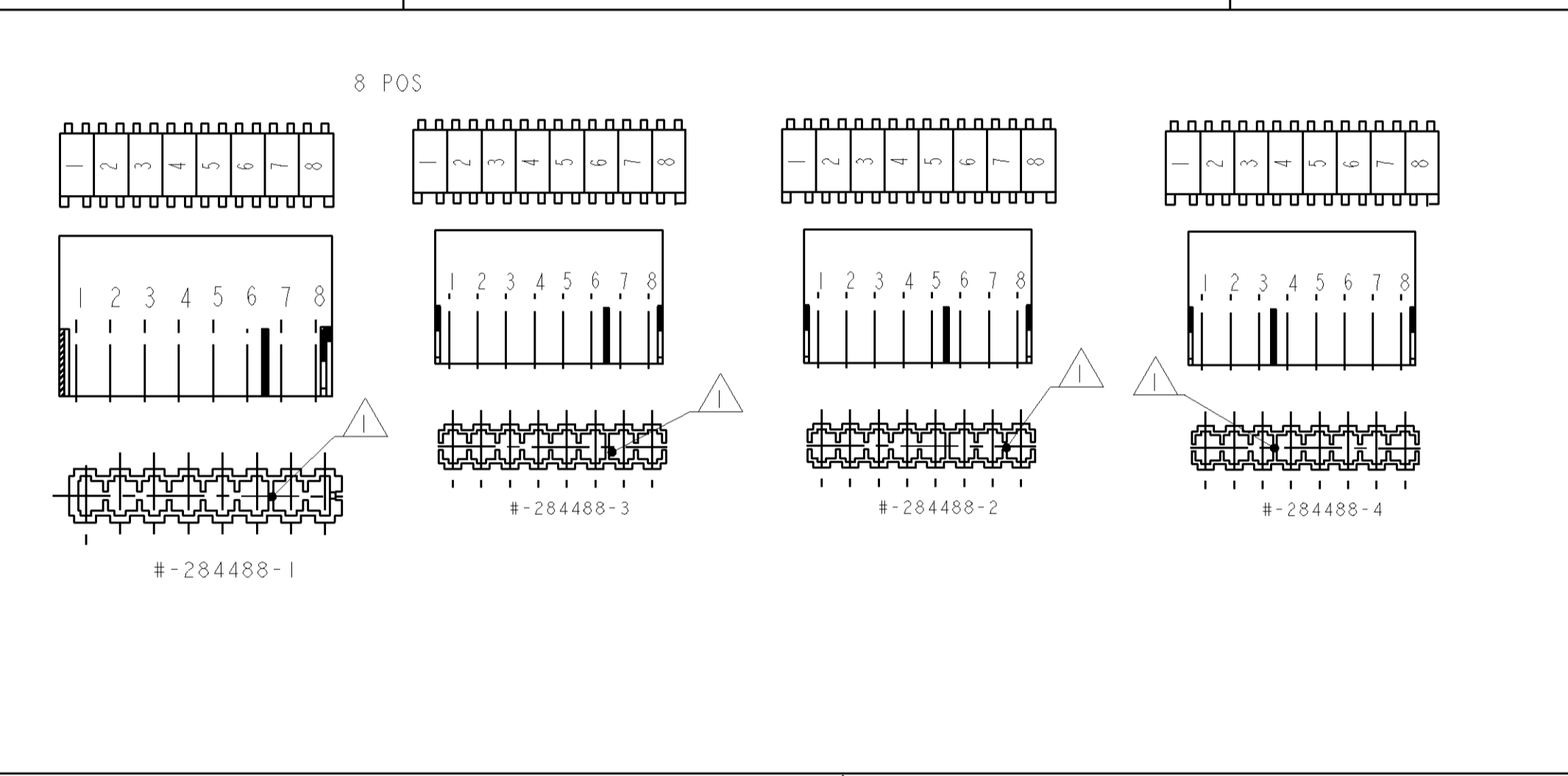
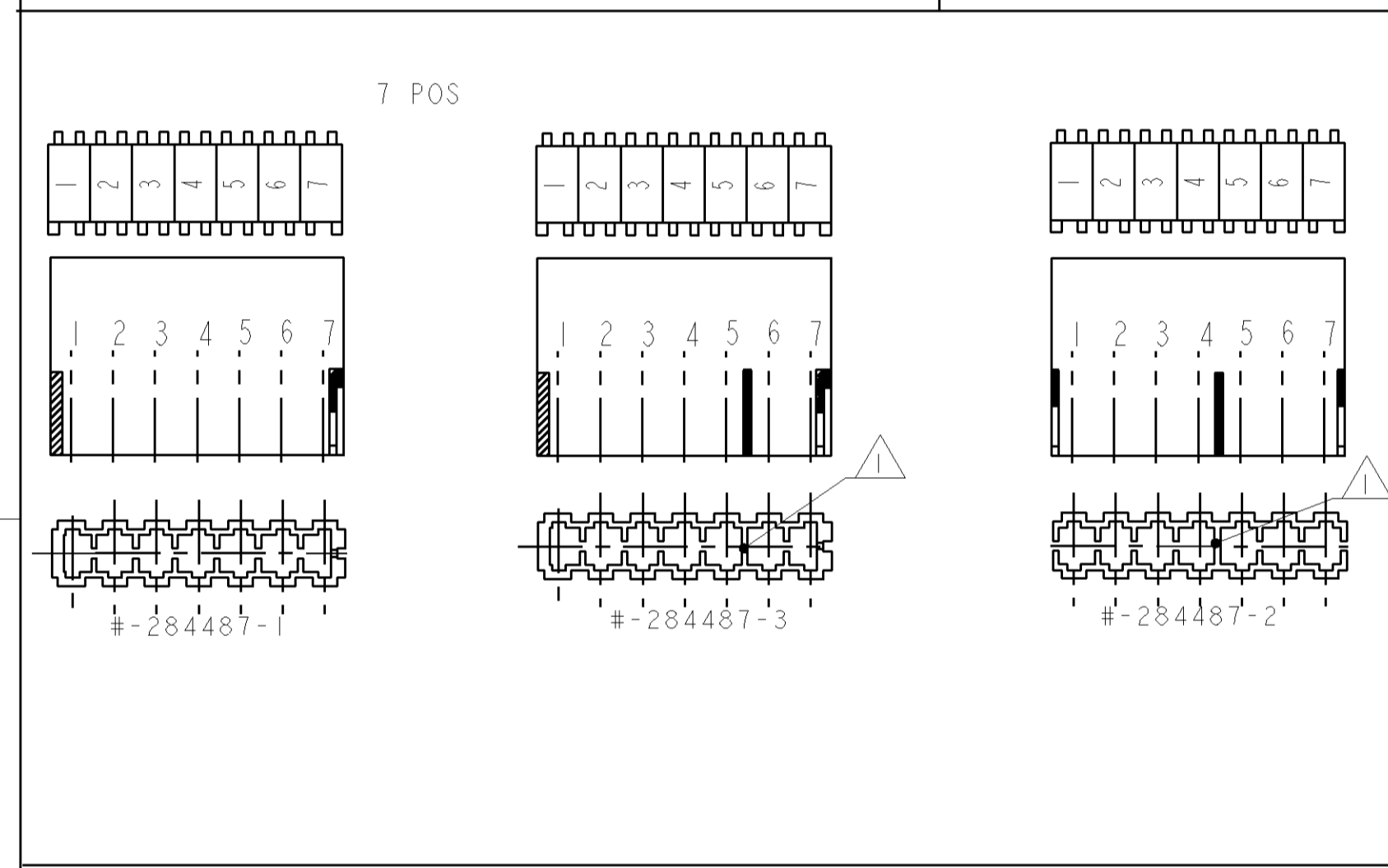
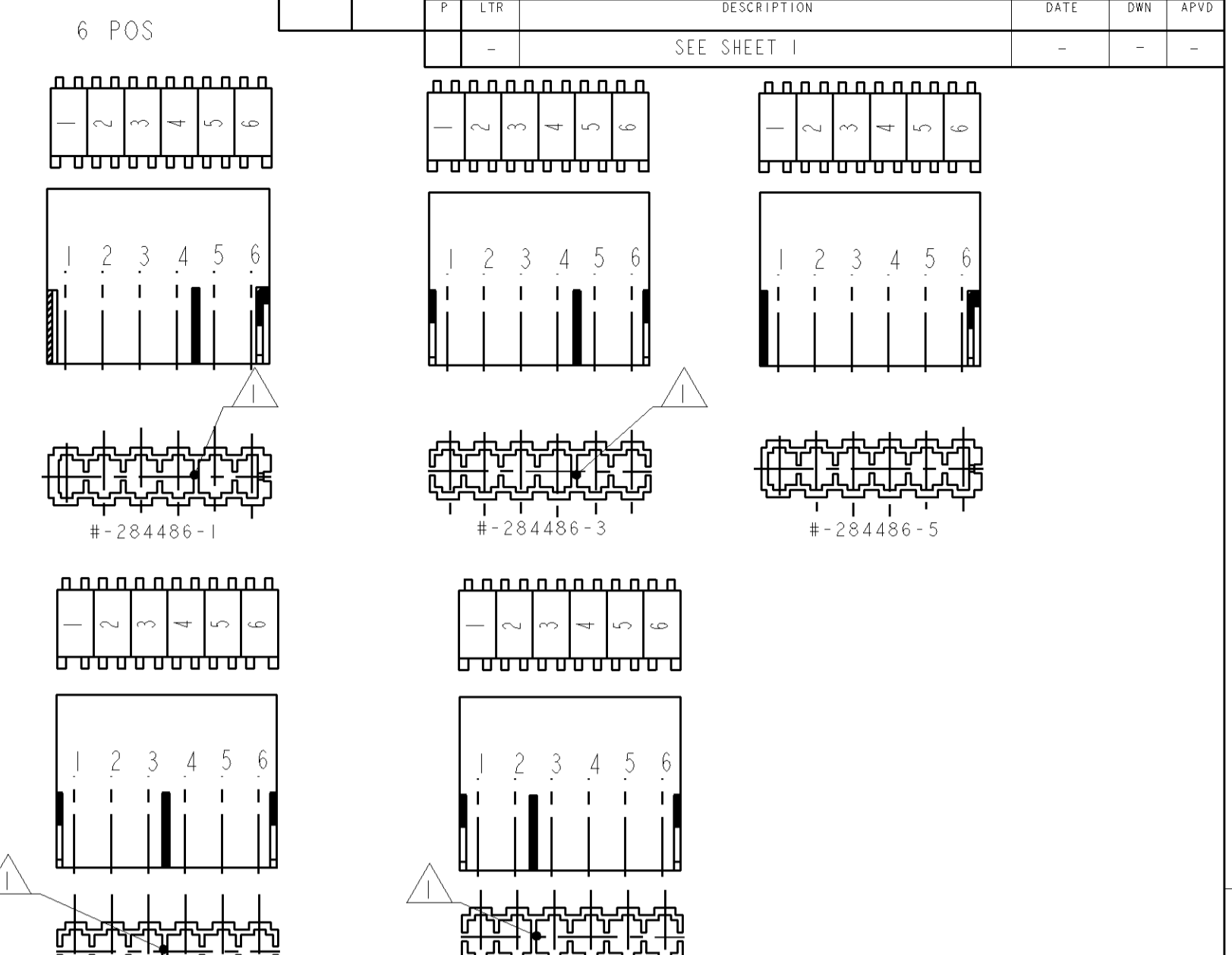
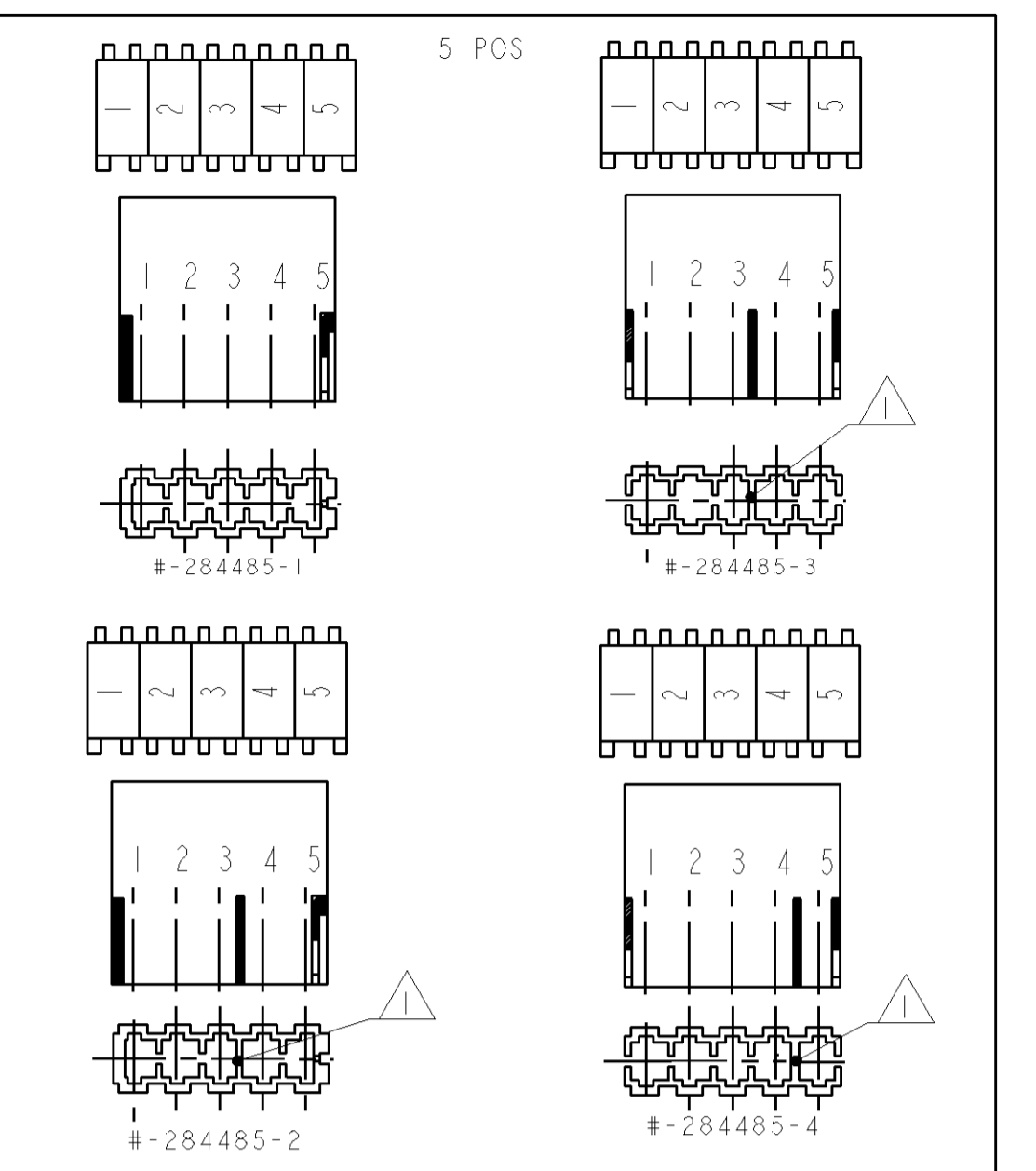
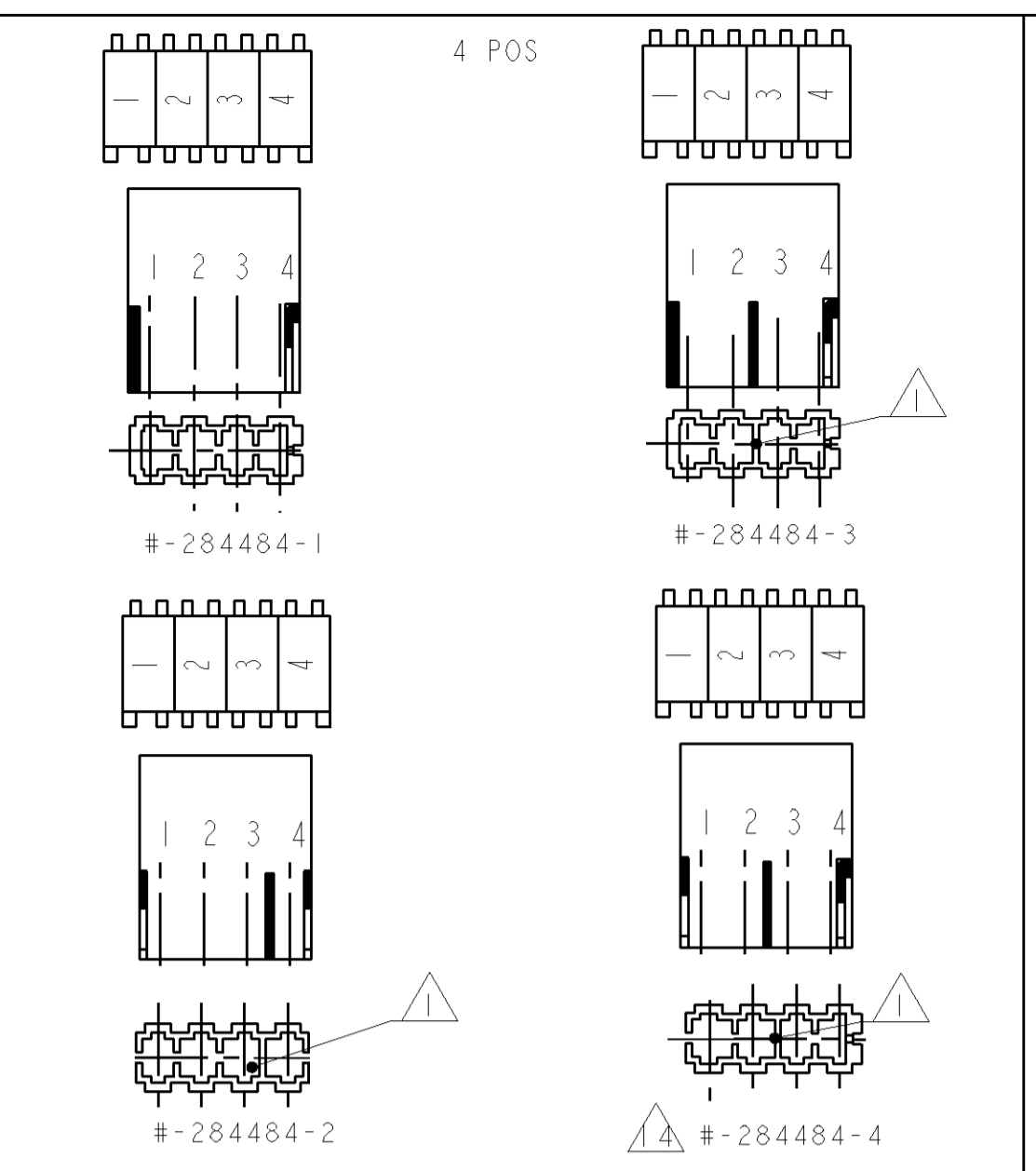
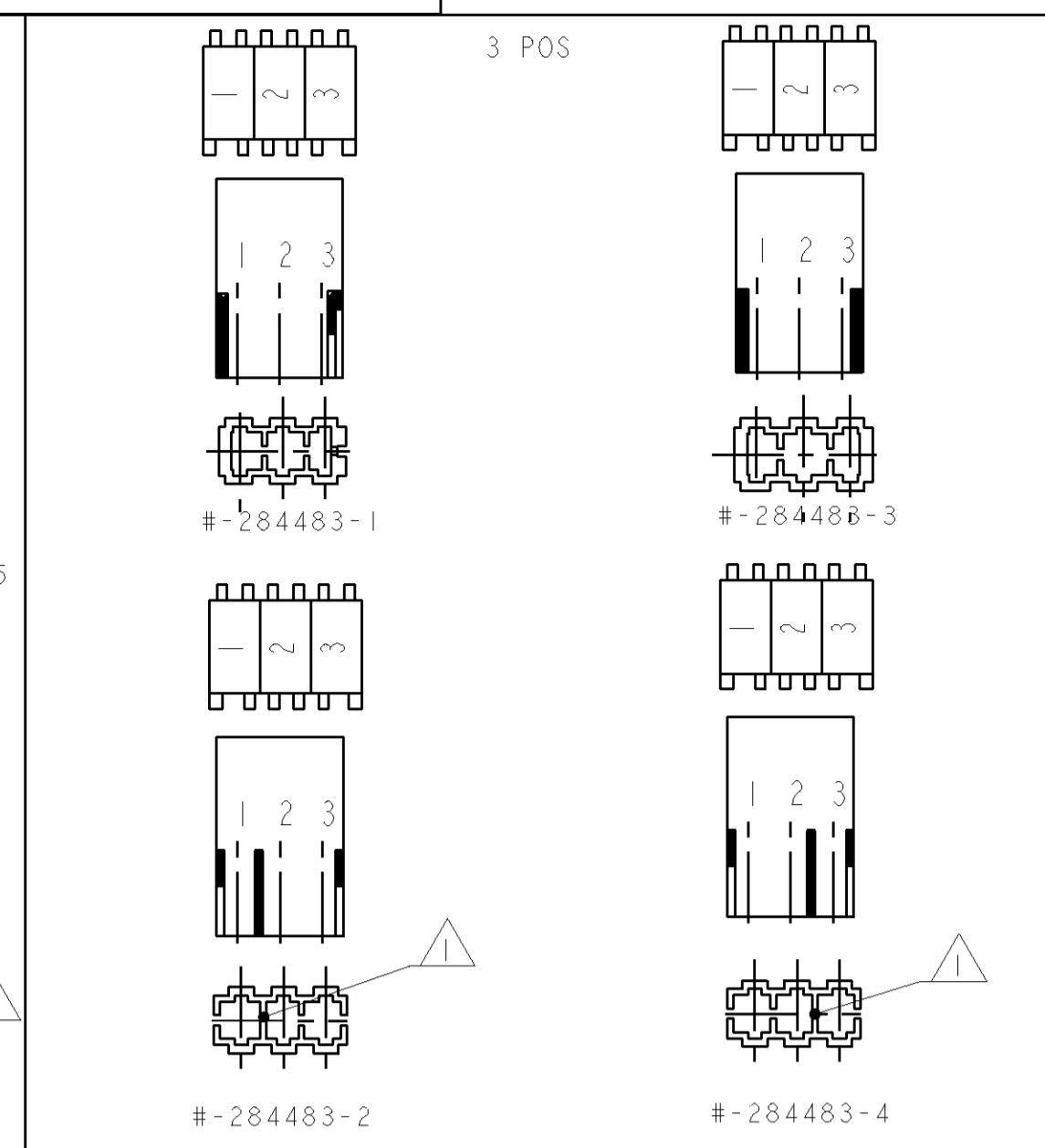
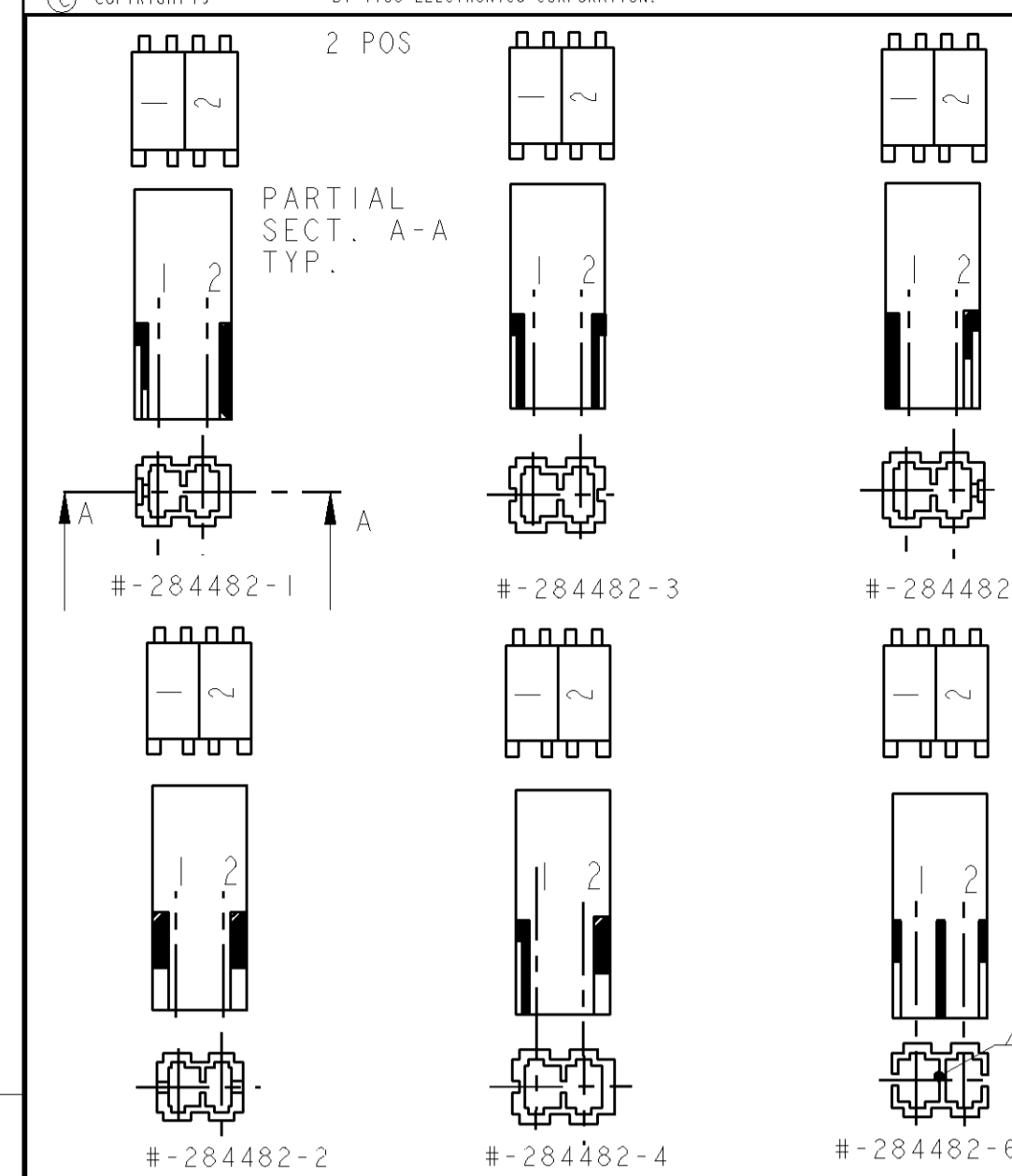




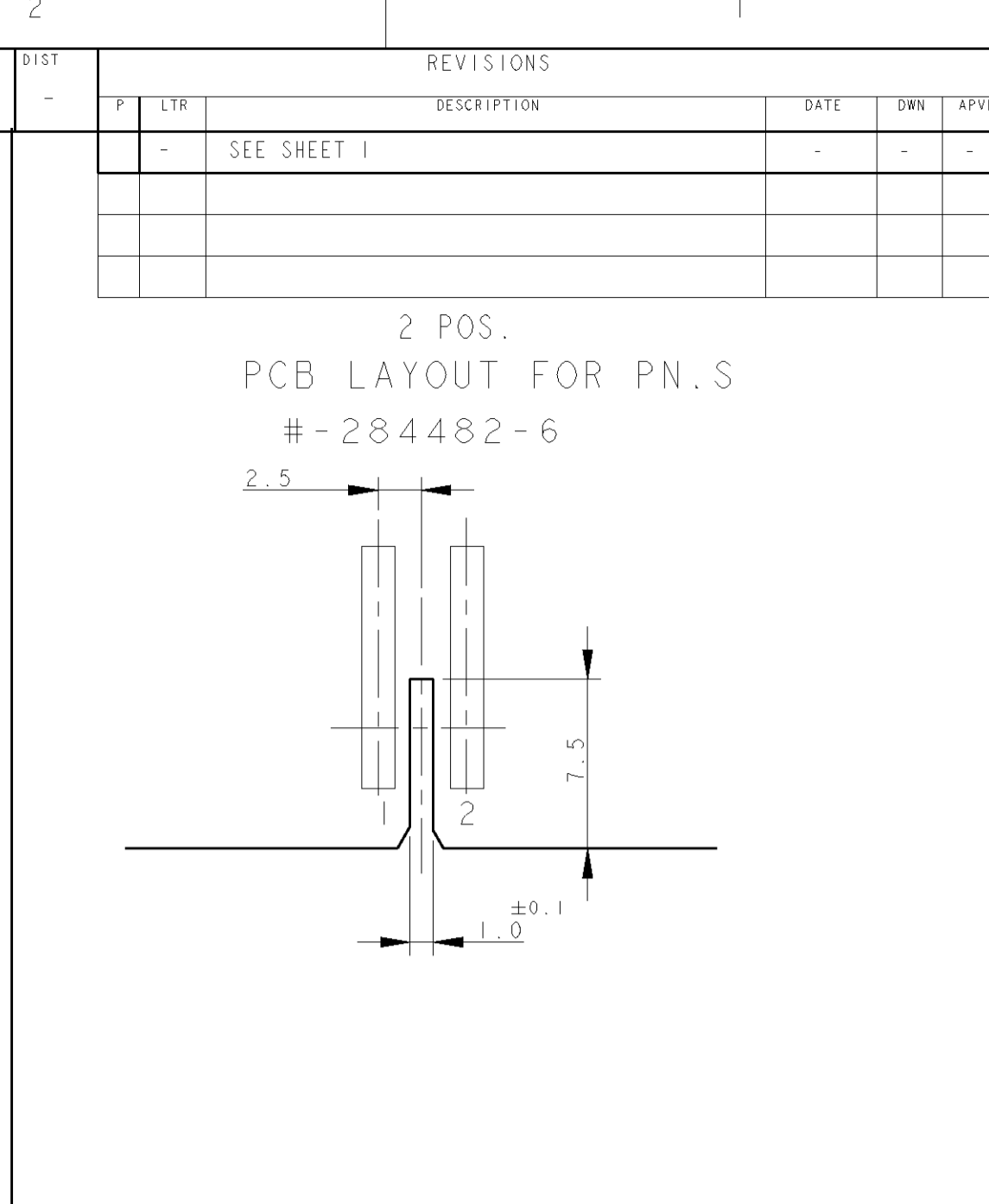
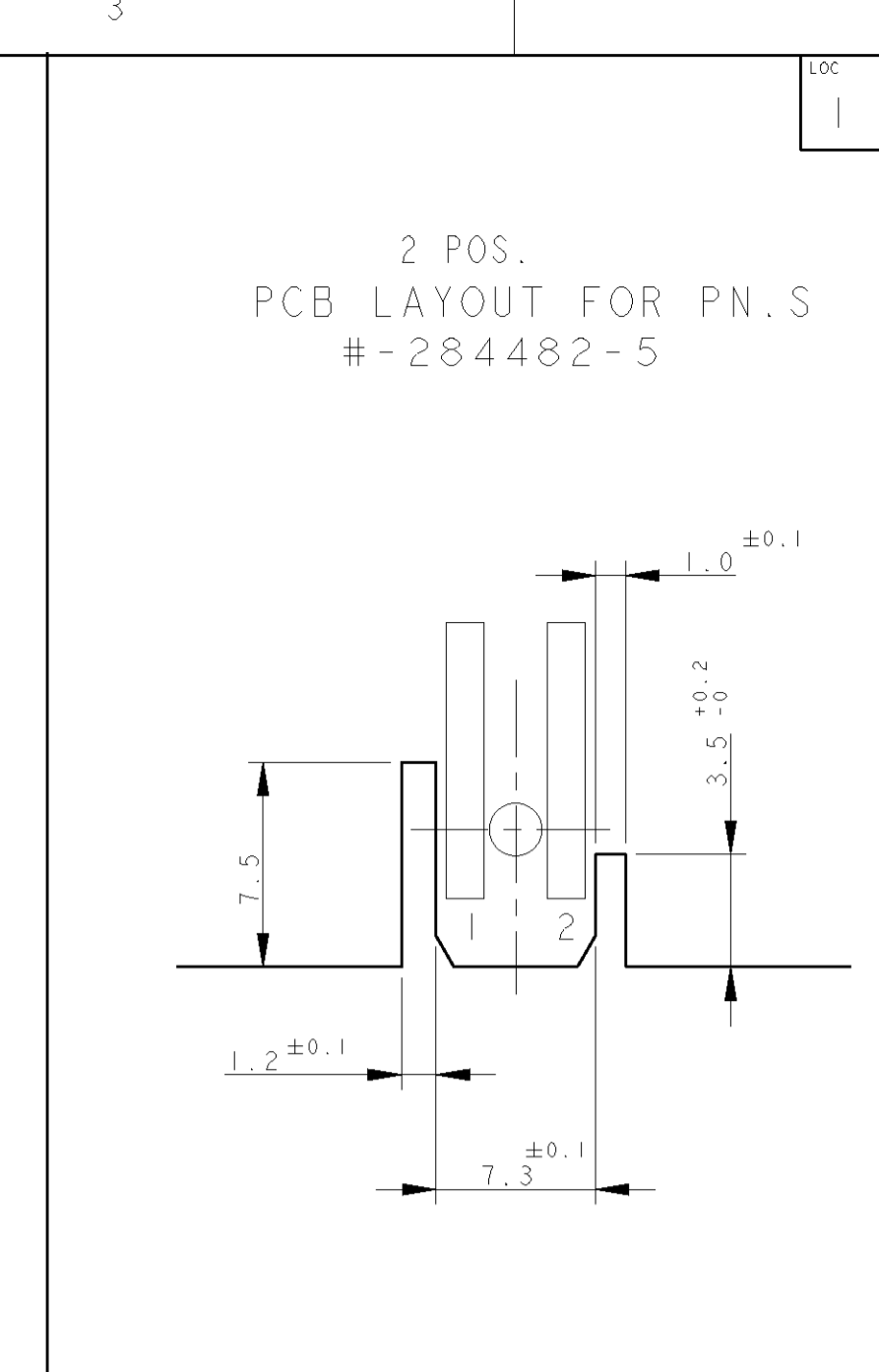
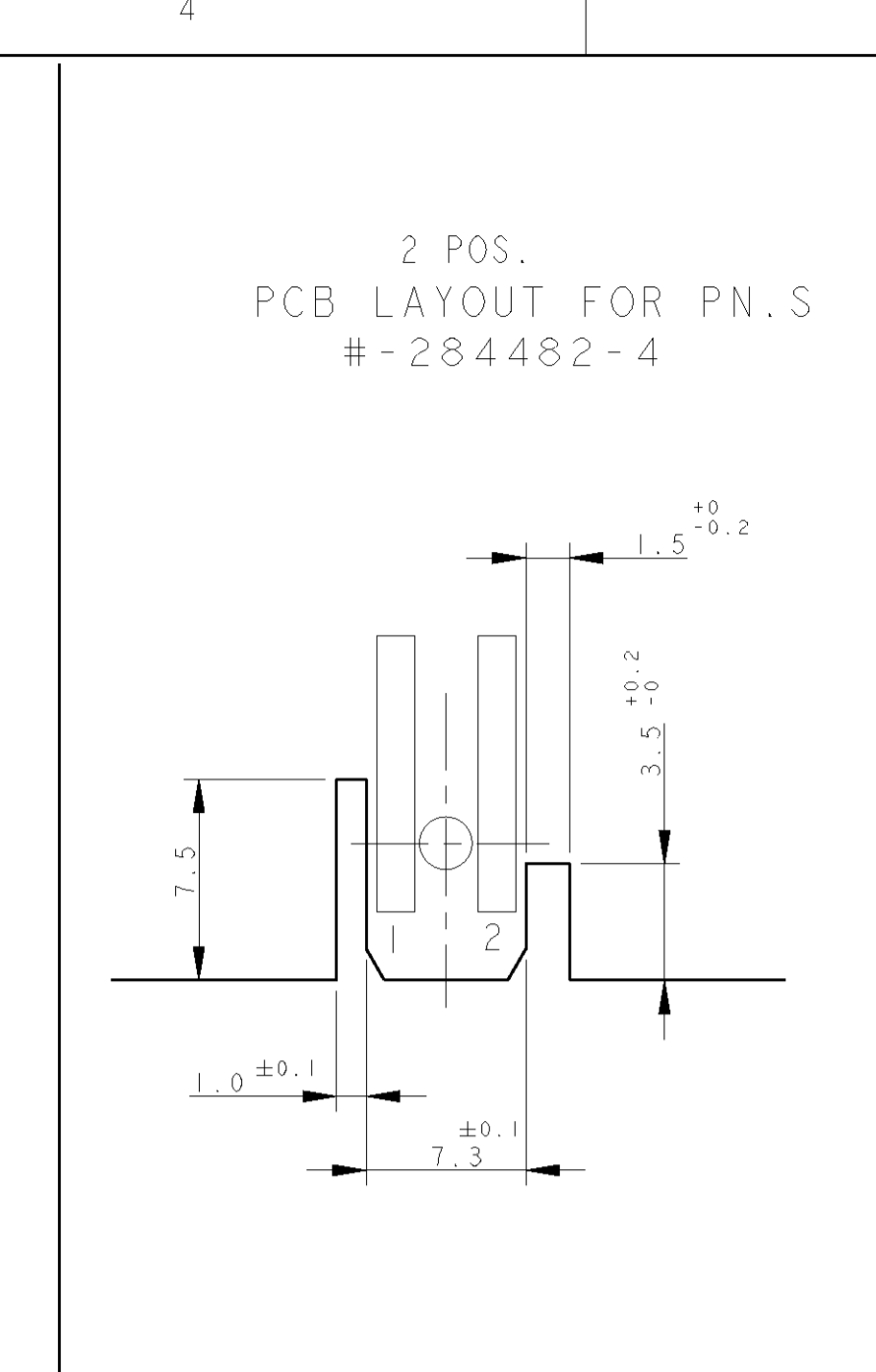
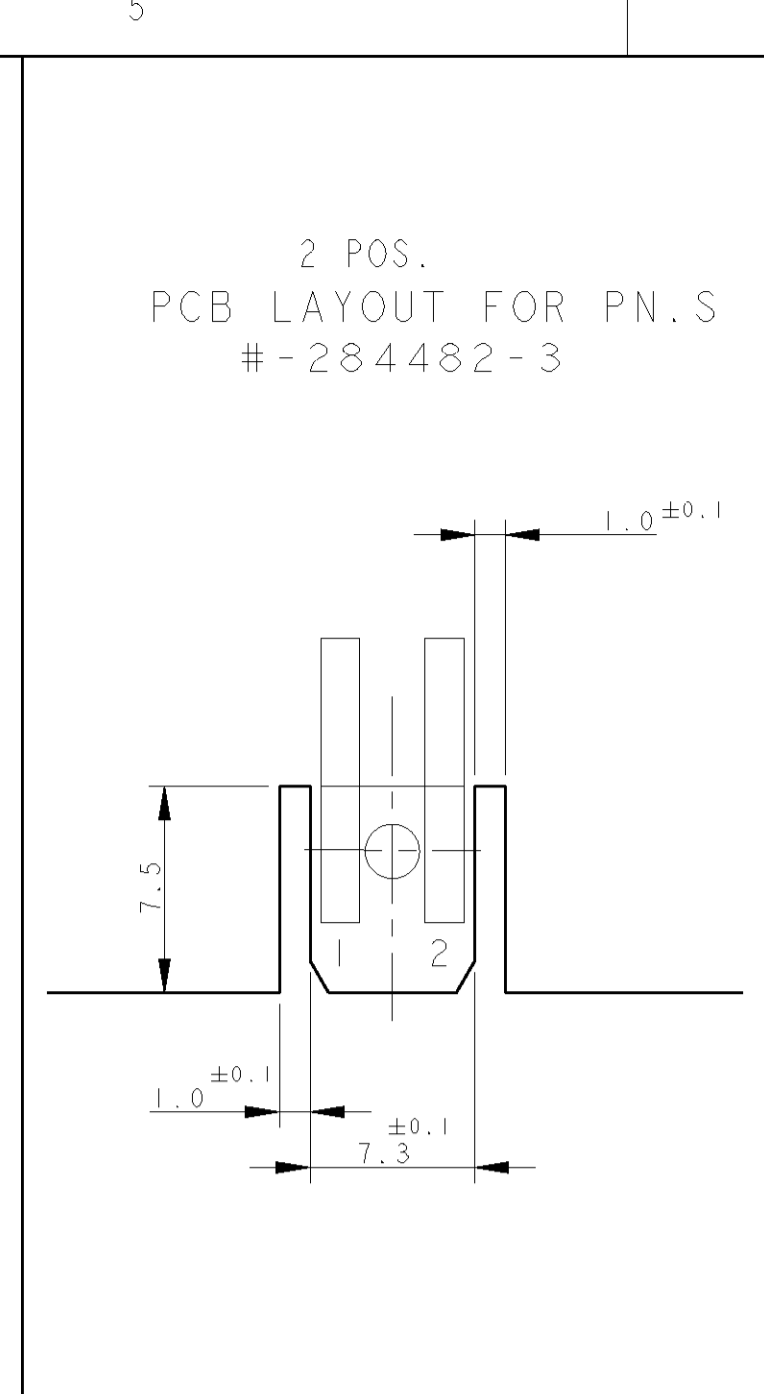
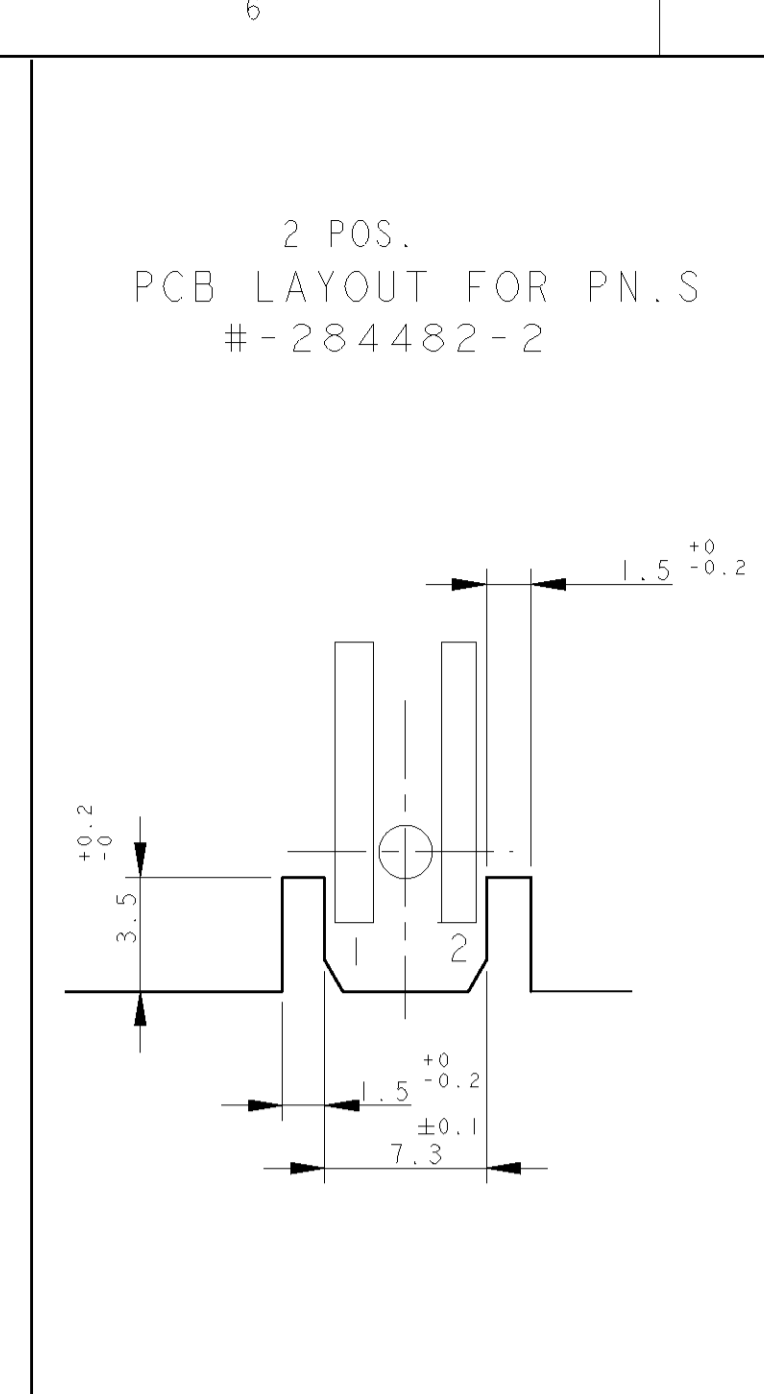
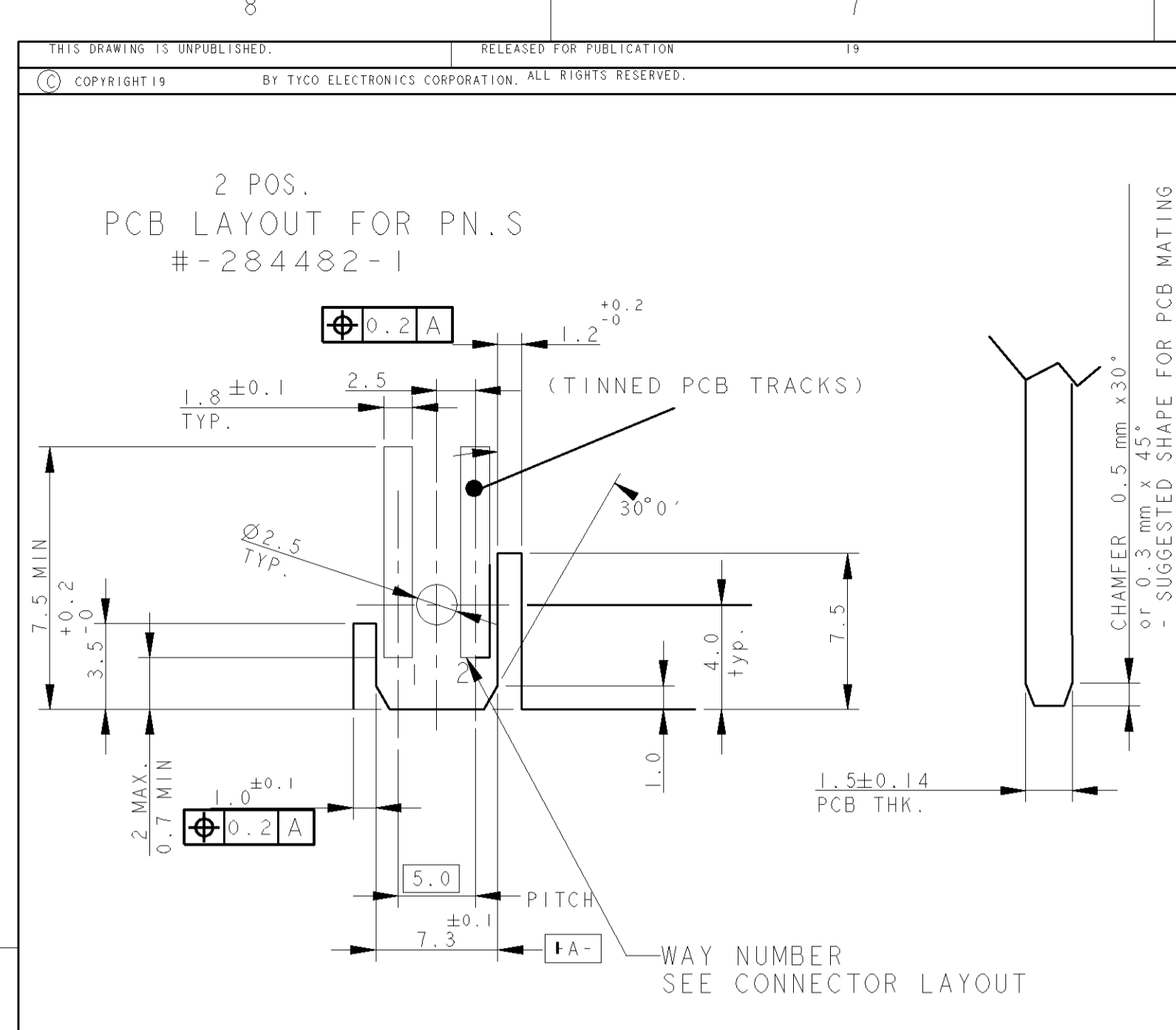
PACKAGING: CONNECTOR STRIP

DIMENSIONS:	TOLERANCES UNLESS OTHERWISE SPECIFIED:	DWN	C. CORDOLA	DEC.2002
mm	0 PLC ±0.5	CHK	G. TURCO	DEC2002
	1 PLC ±0.3	APP'D	G. TURCO	DEC2002
	2 PLC ±	PRODUCT SPEC	108-20214	
	3 PLC ±	APPLICATION SPEC	114-20104	
	4 PLC ±	WEIGHT	-	
	ANGLES ±	CUSTOMER DRAWING	-	
MATERIAL	FINISH	SCALE	NO	SHEET 1 OF 6

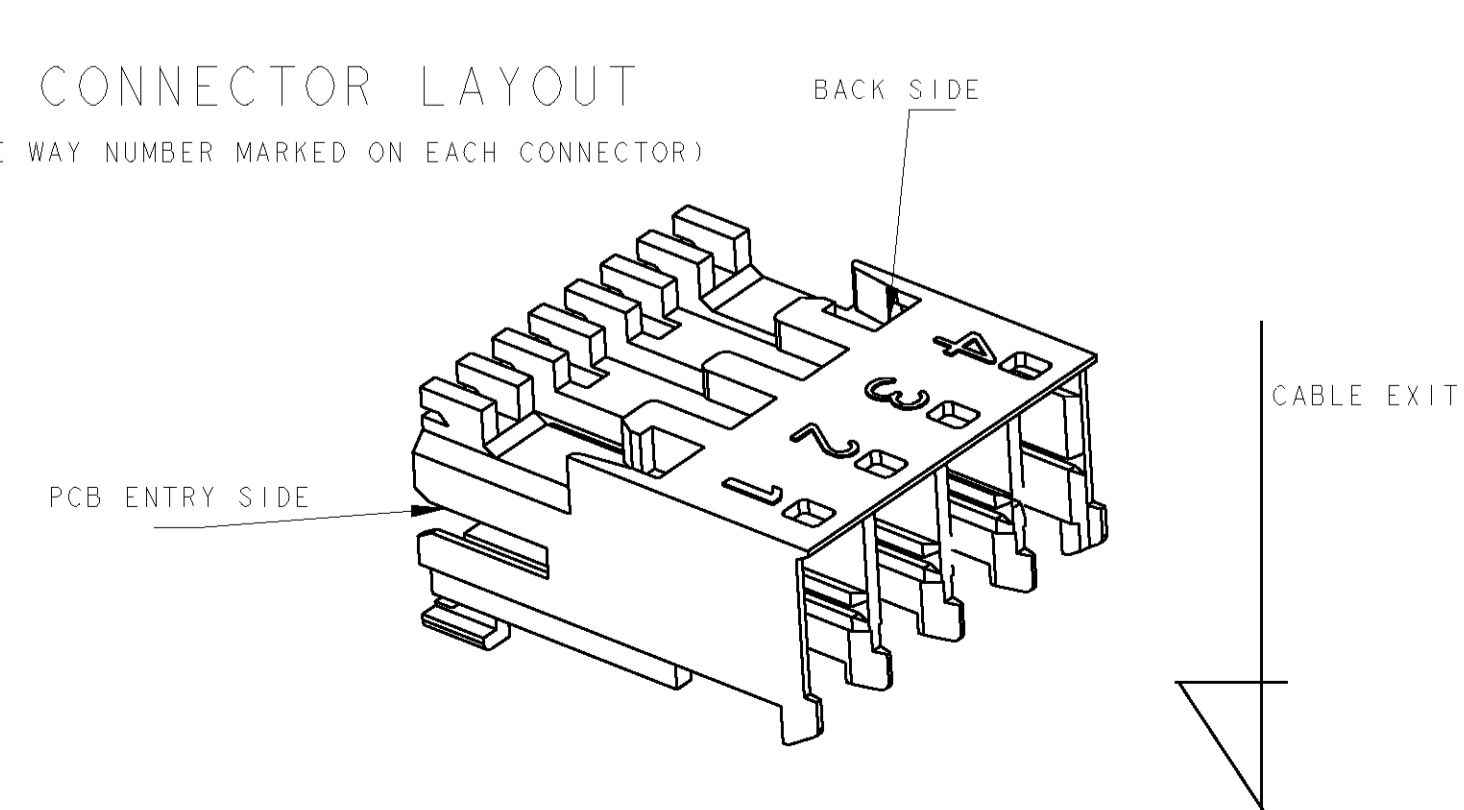
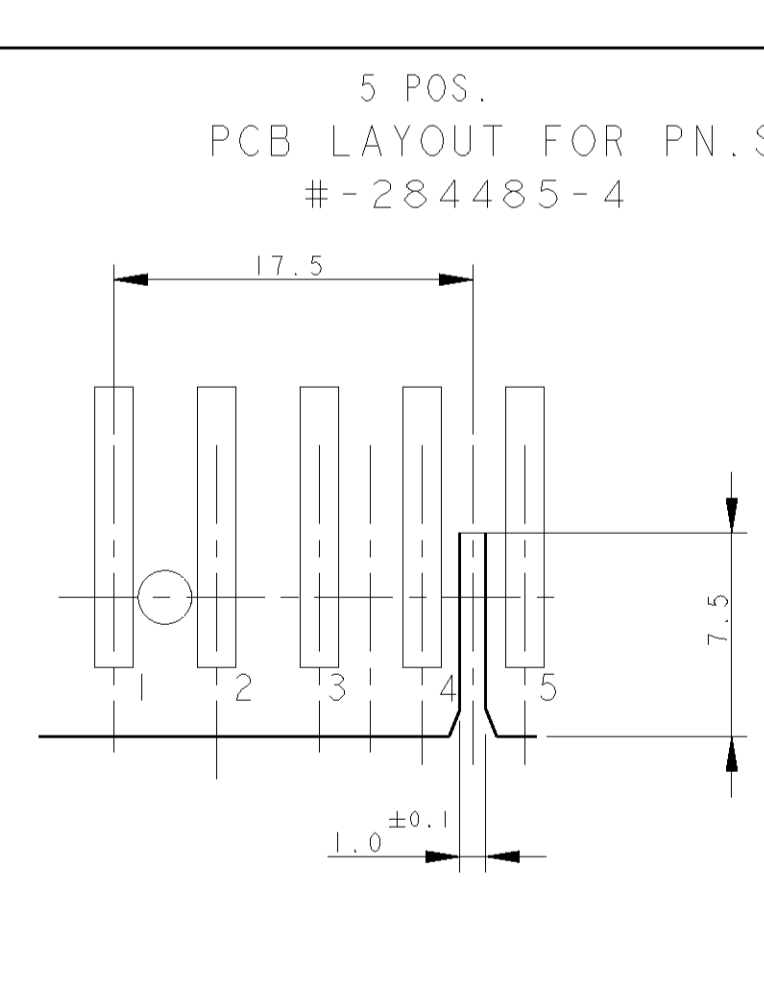
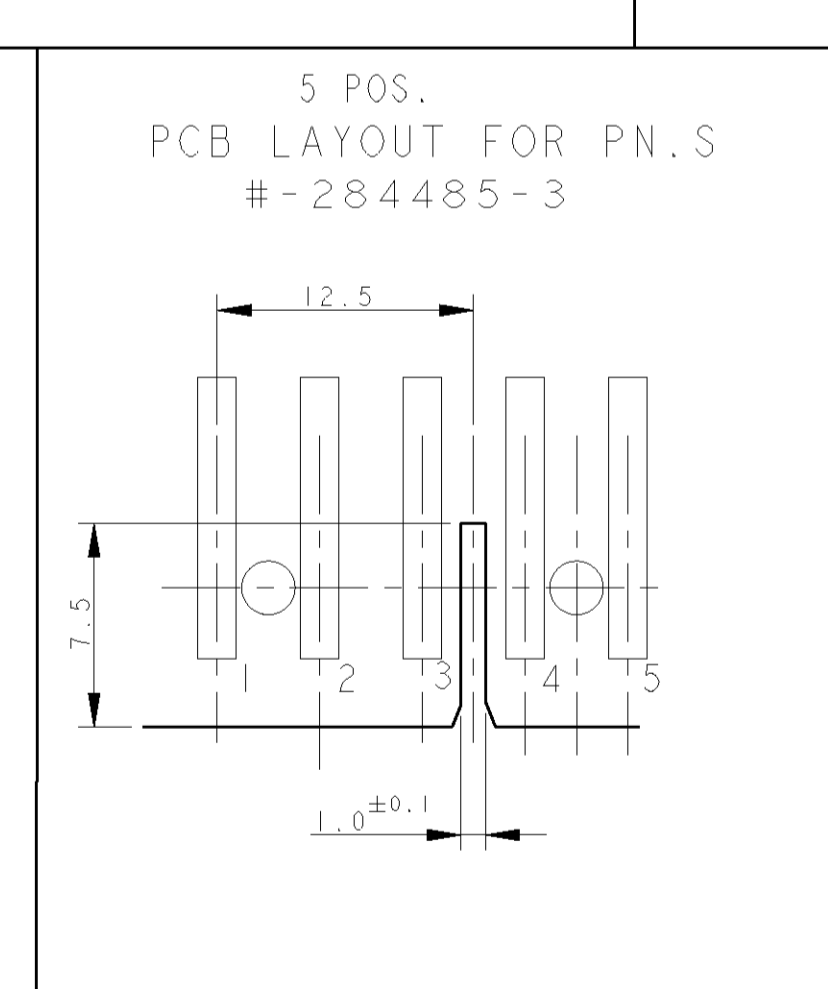
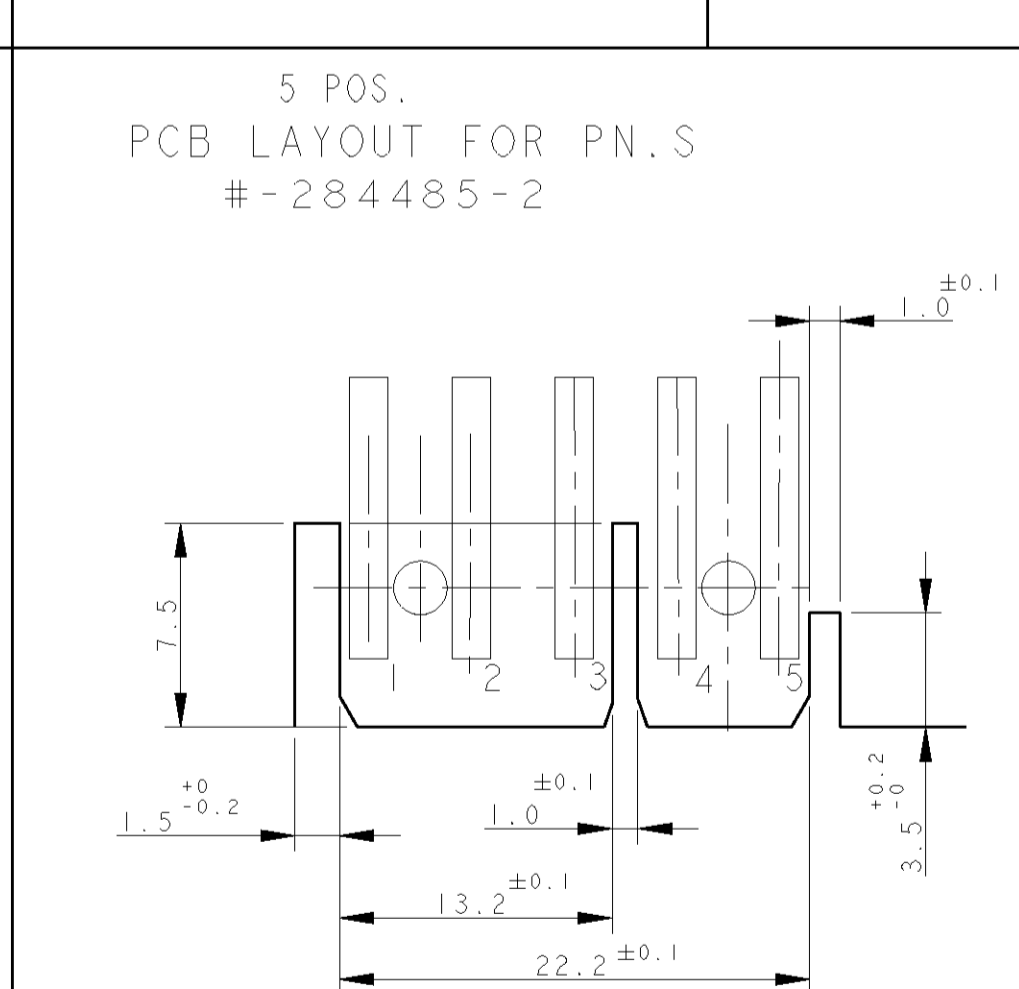
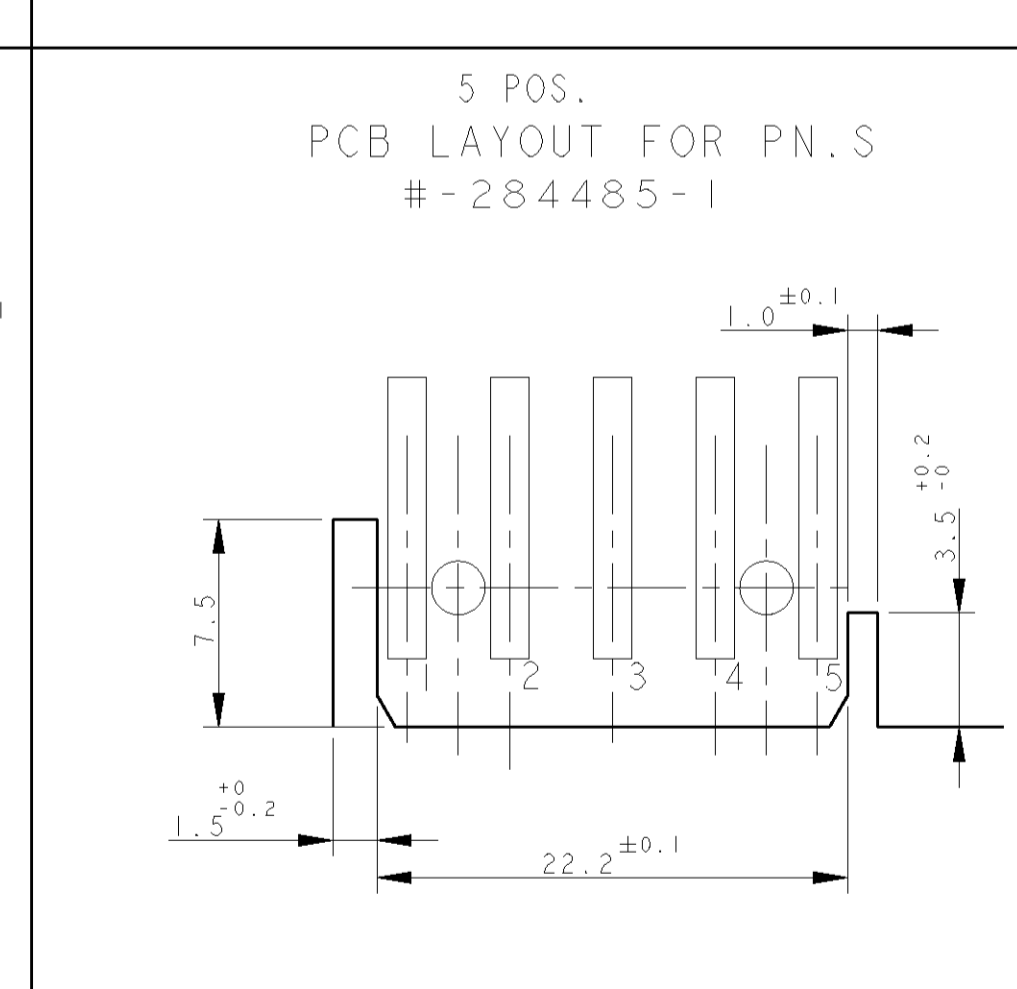
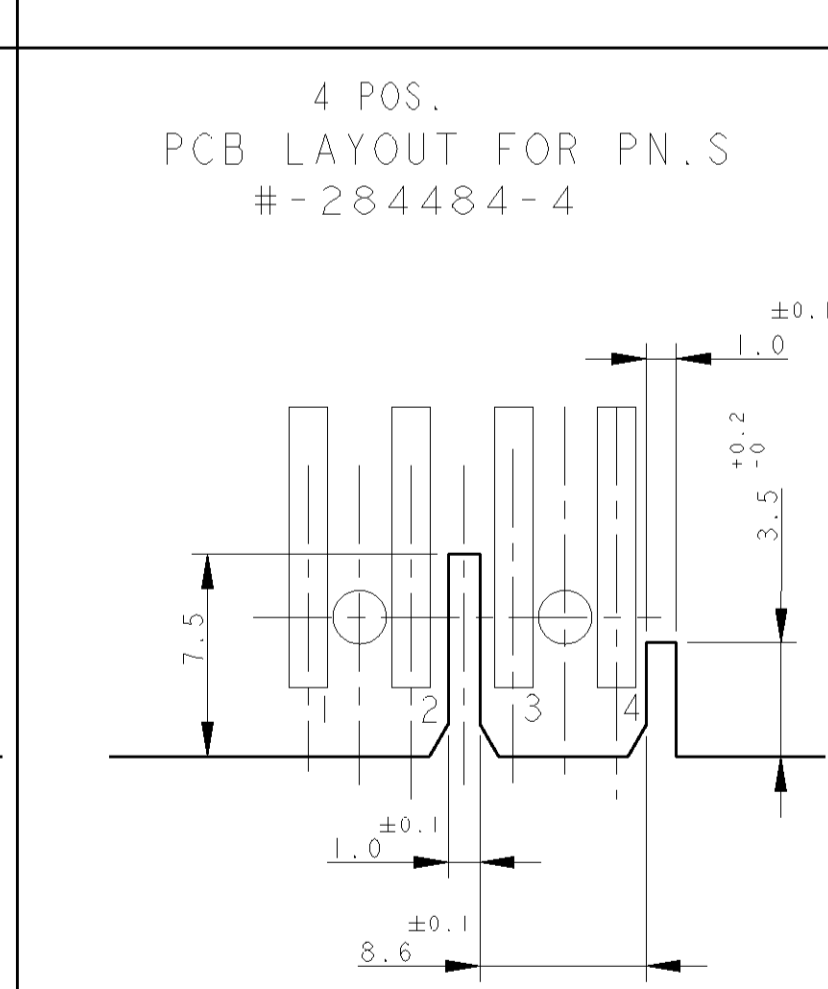
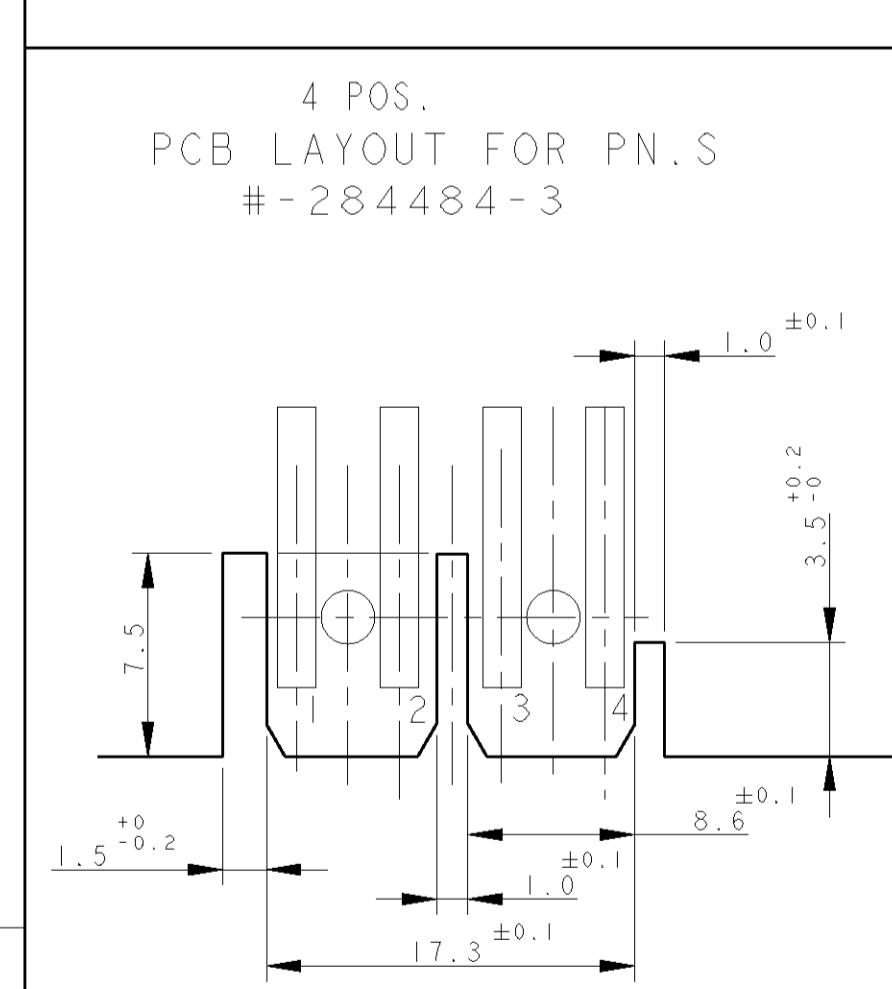
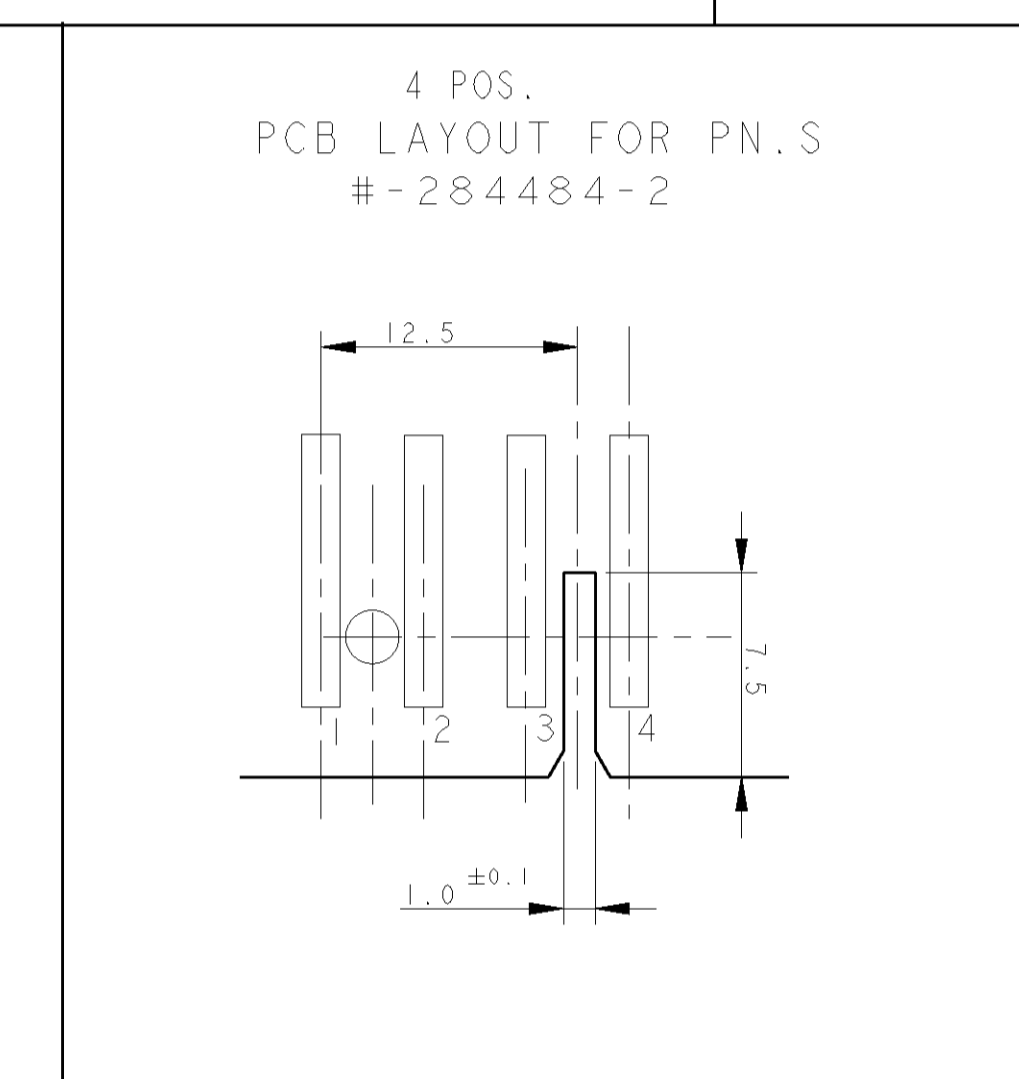
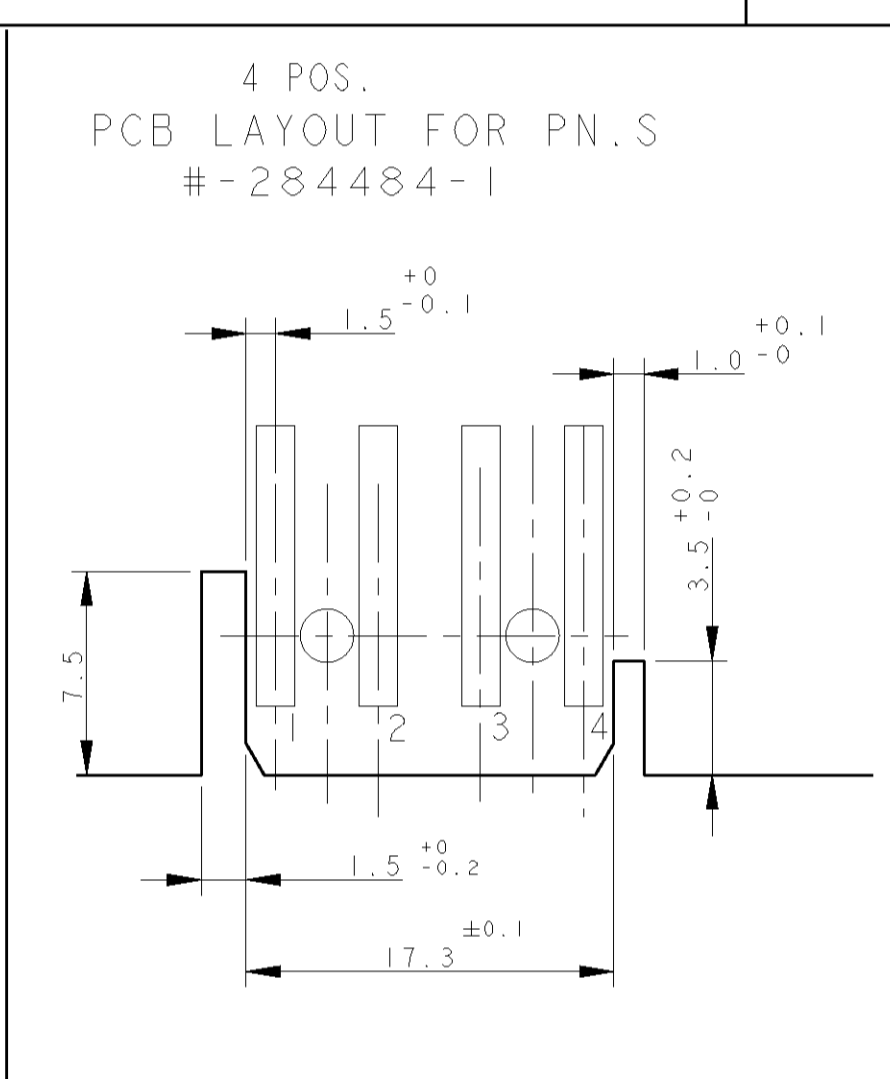
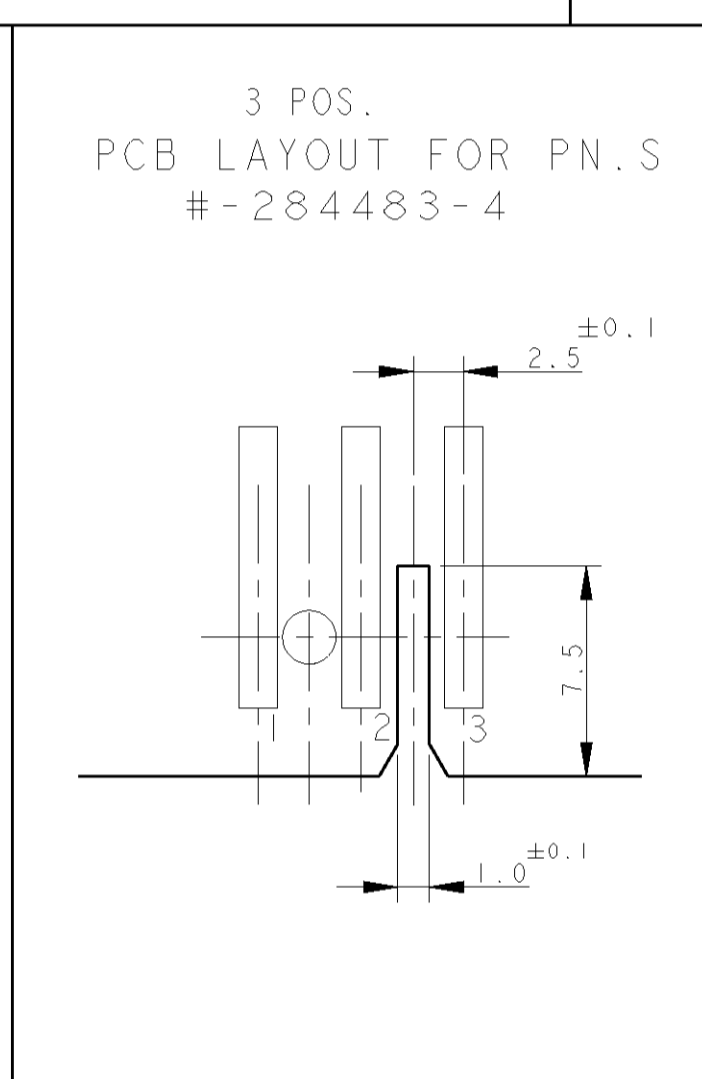
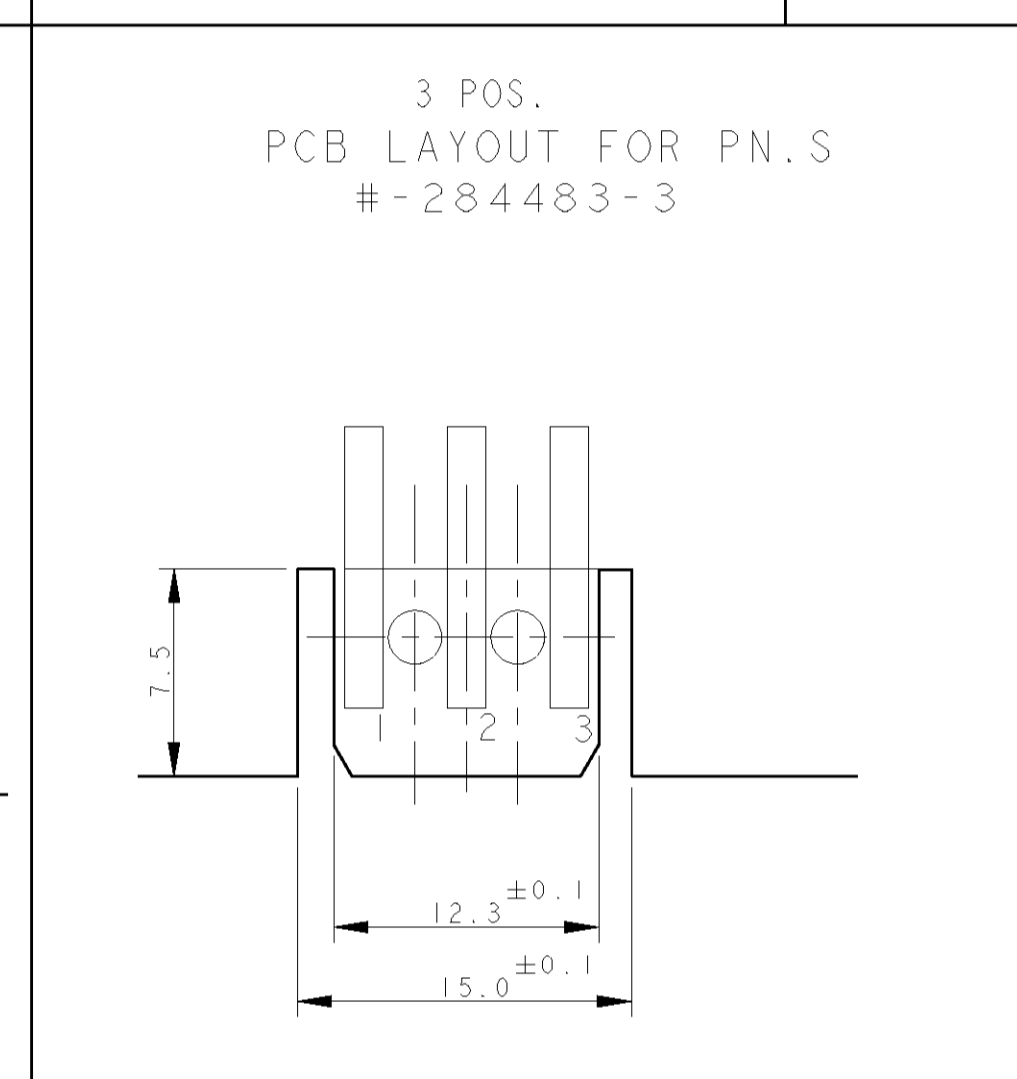
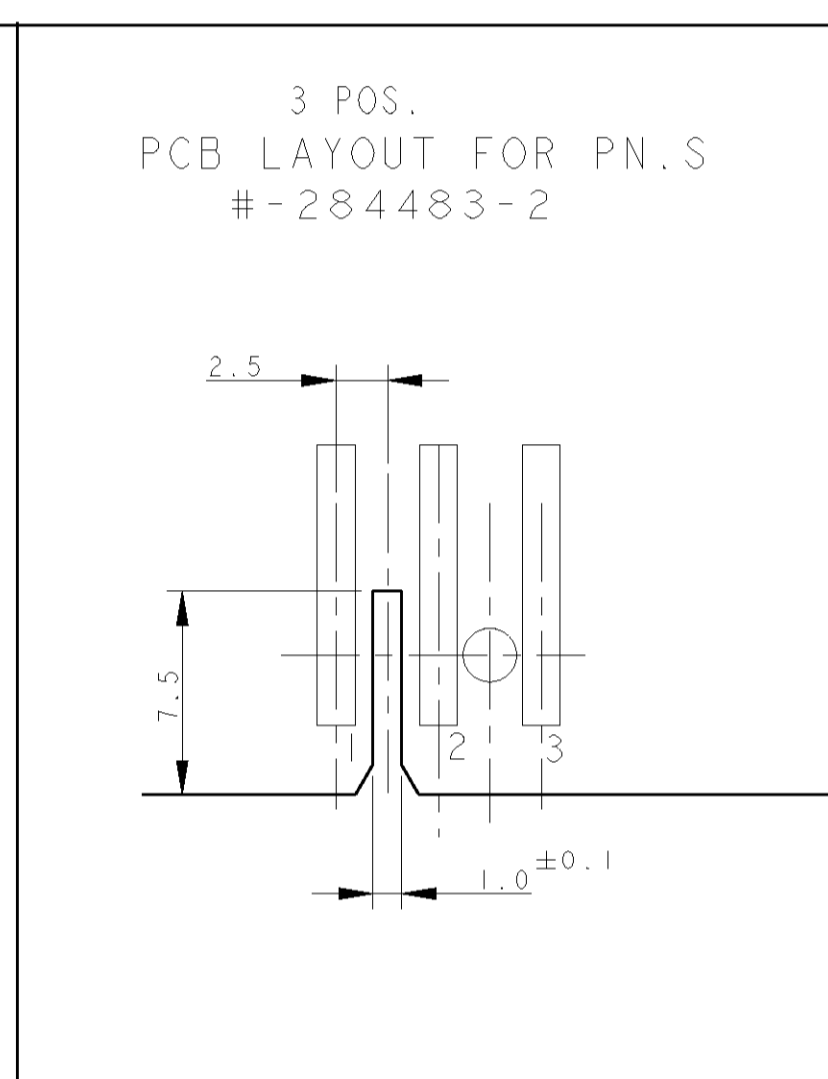
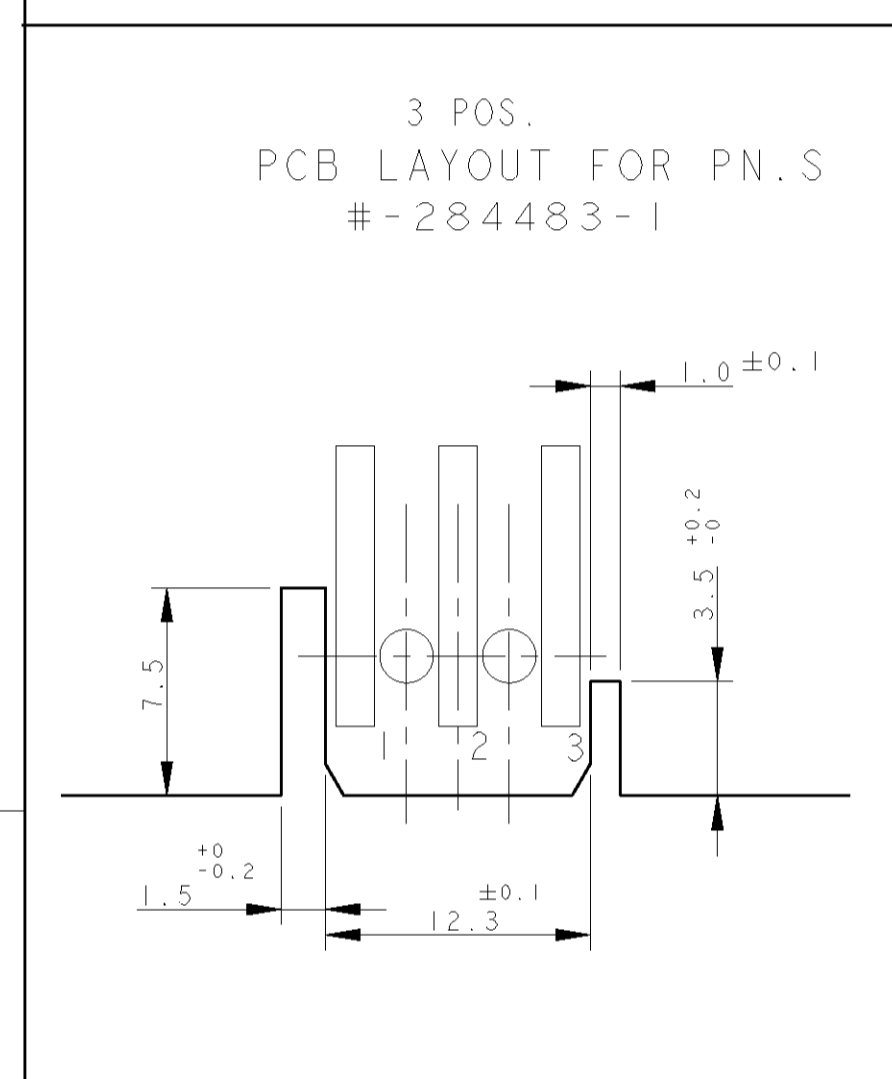
RESTRICTED TO



DIMENSIONS: mm		TOLERANCES UNLESS OTHERWISE SPECIFIED: 0 PLC ±0.5 1 PLC ±0.3 2 PLC ± 3 PLC ± 4 PLC ± ANGLES ±		DWN M. COLOMBO 02MAY2000 CHK M. COLOMBO 02MAY2000 APVD G. TURCO 02MAY2000 PRODUCT SPEC SEE SHEET 1 APPLICATION SPEC SEE SHEET 1 WEIGHT CUSTOMER DRAWING		Tyco Electronics Tyco Electronics AMP Italia S.r.l. 10093 Collegno (TO) NAME MONO-SHAPE MARK II 2-12 POS PCB CONNECTORS SIZE CASE CODE DRAWING NO A1 00779 C=284482 RESTRICTED TO SCALE NO SHEET 2 OF 6 REV E1	
-------------------	--	---	--	---	--	--	--

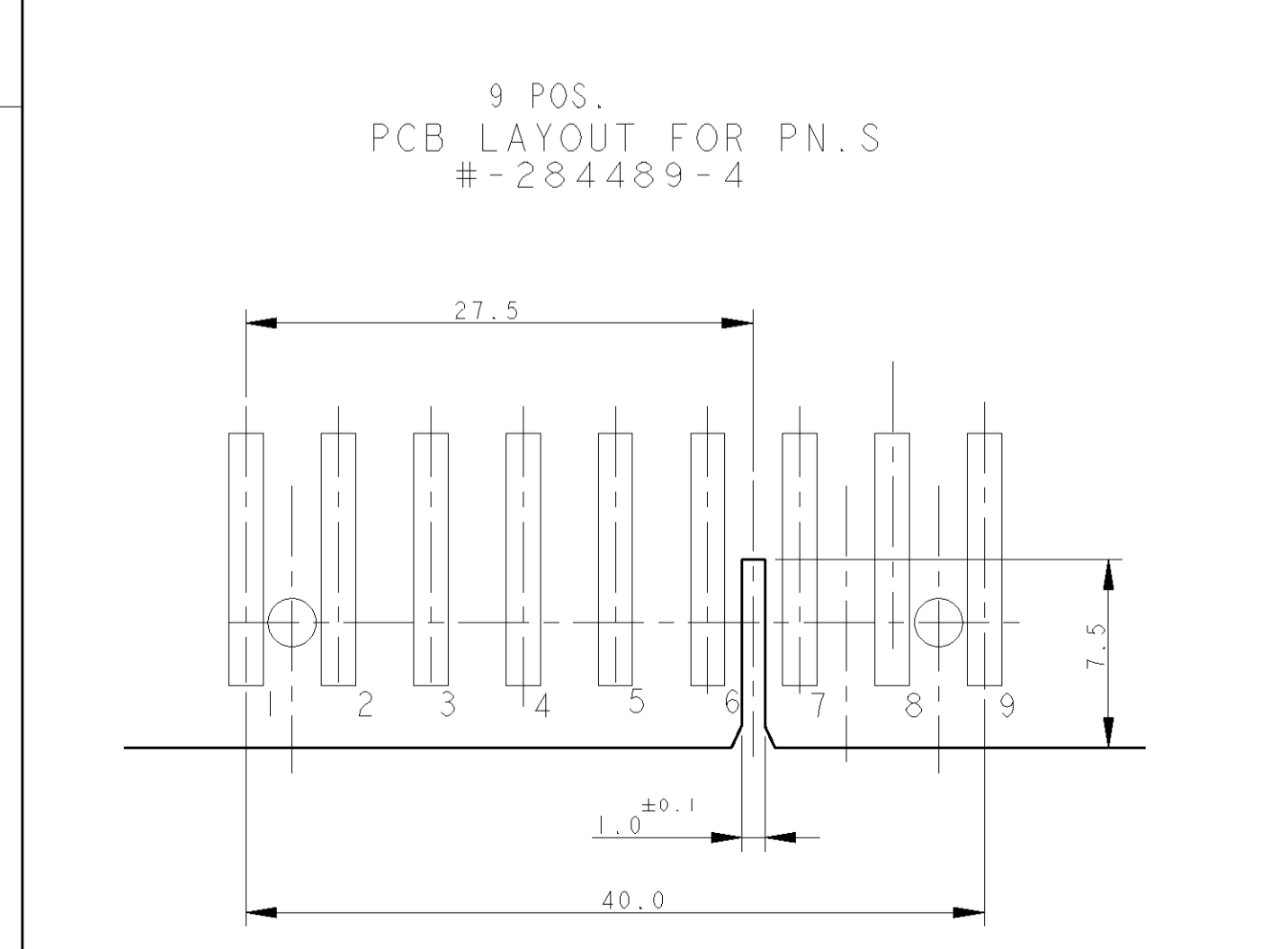
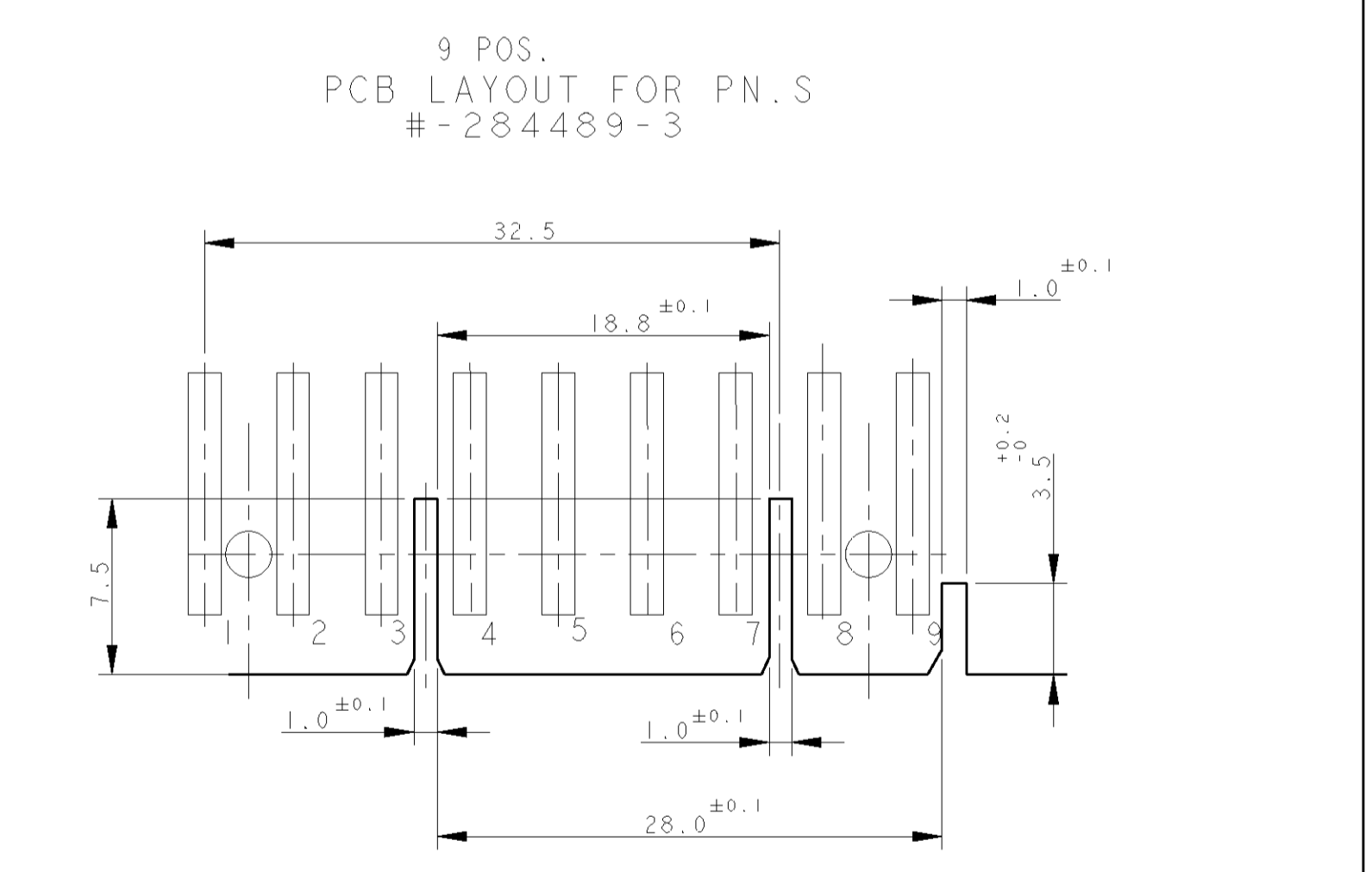
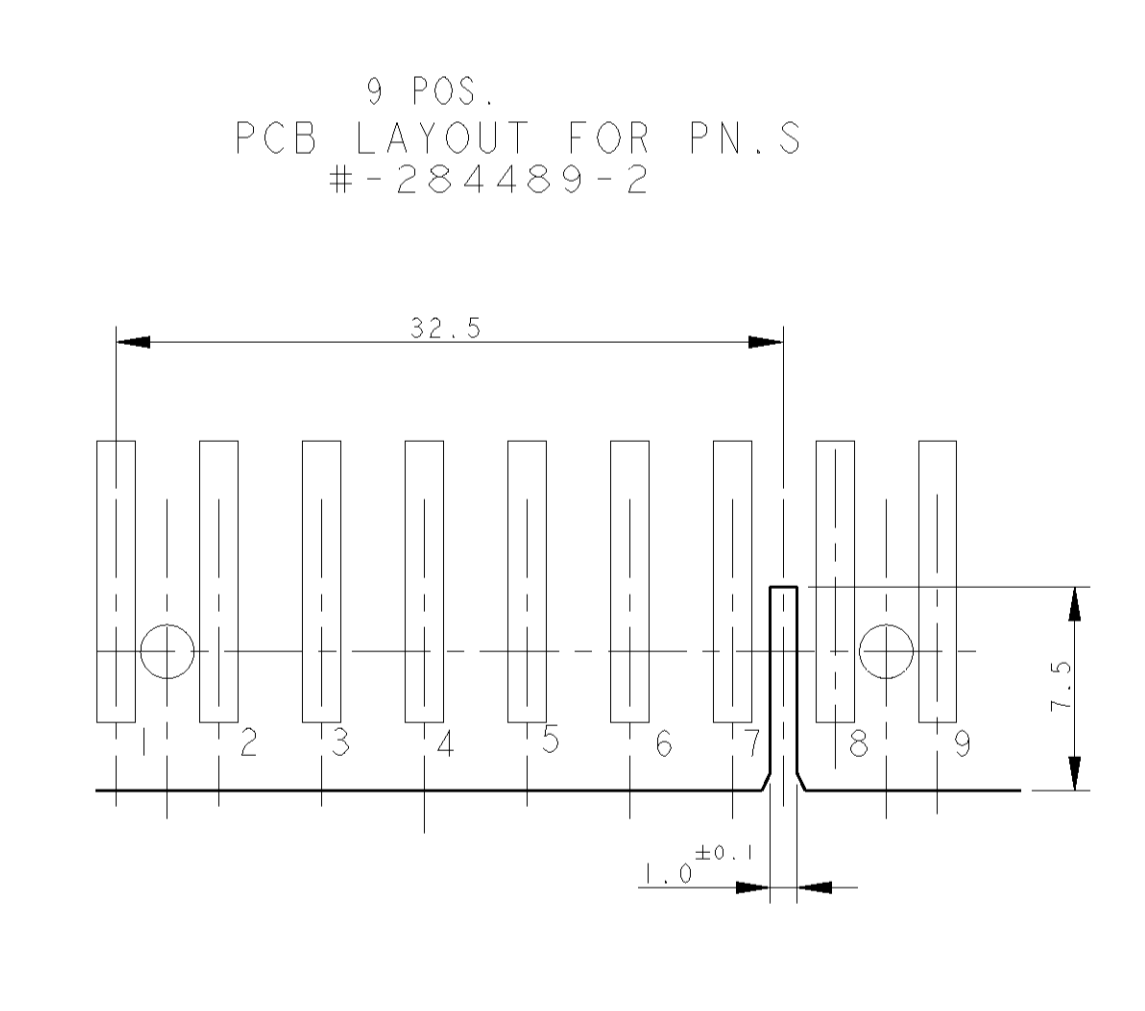
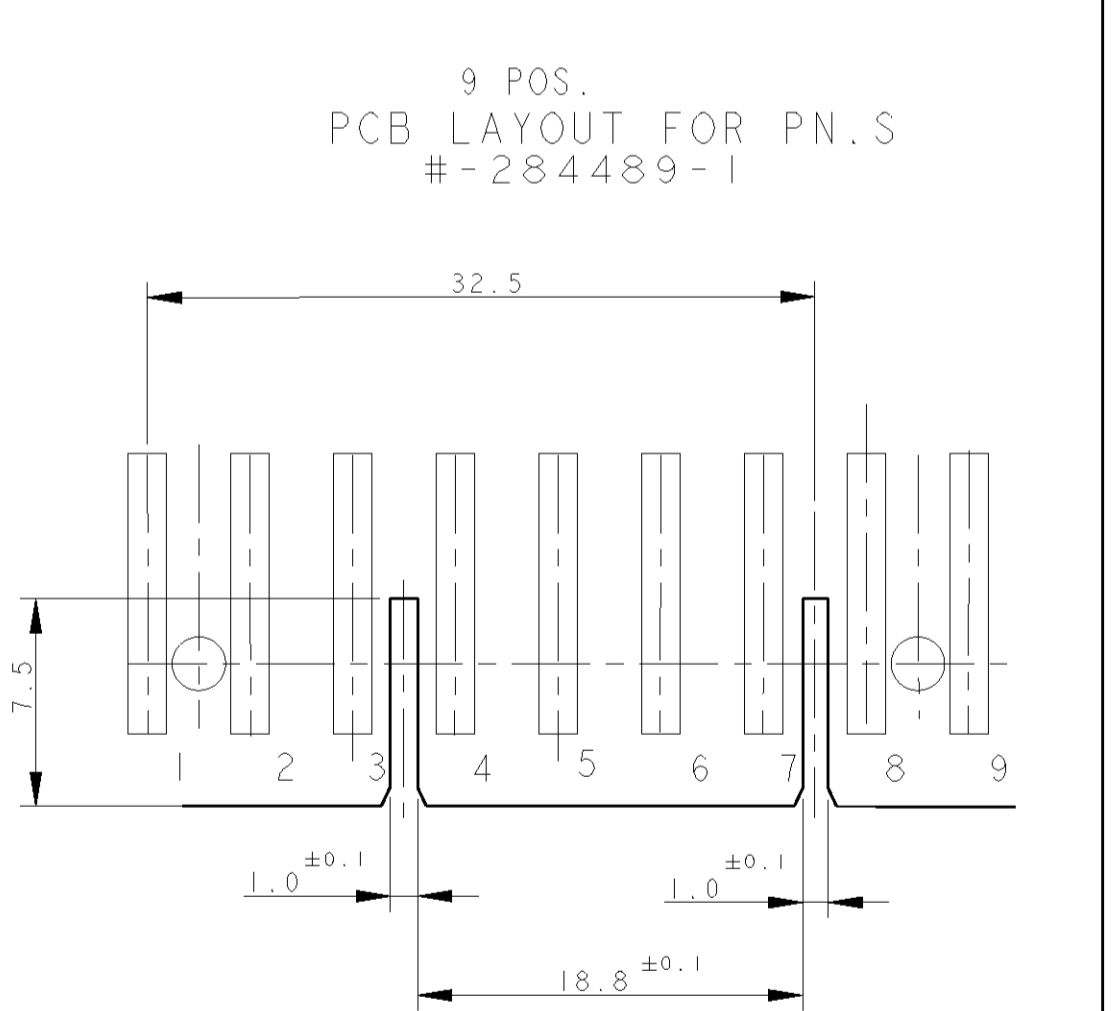
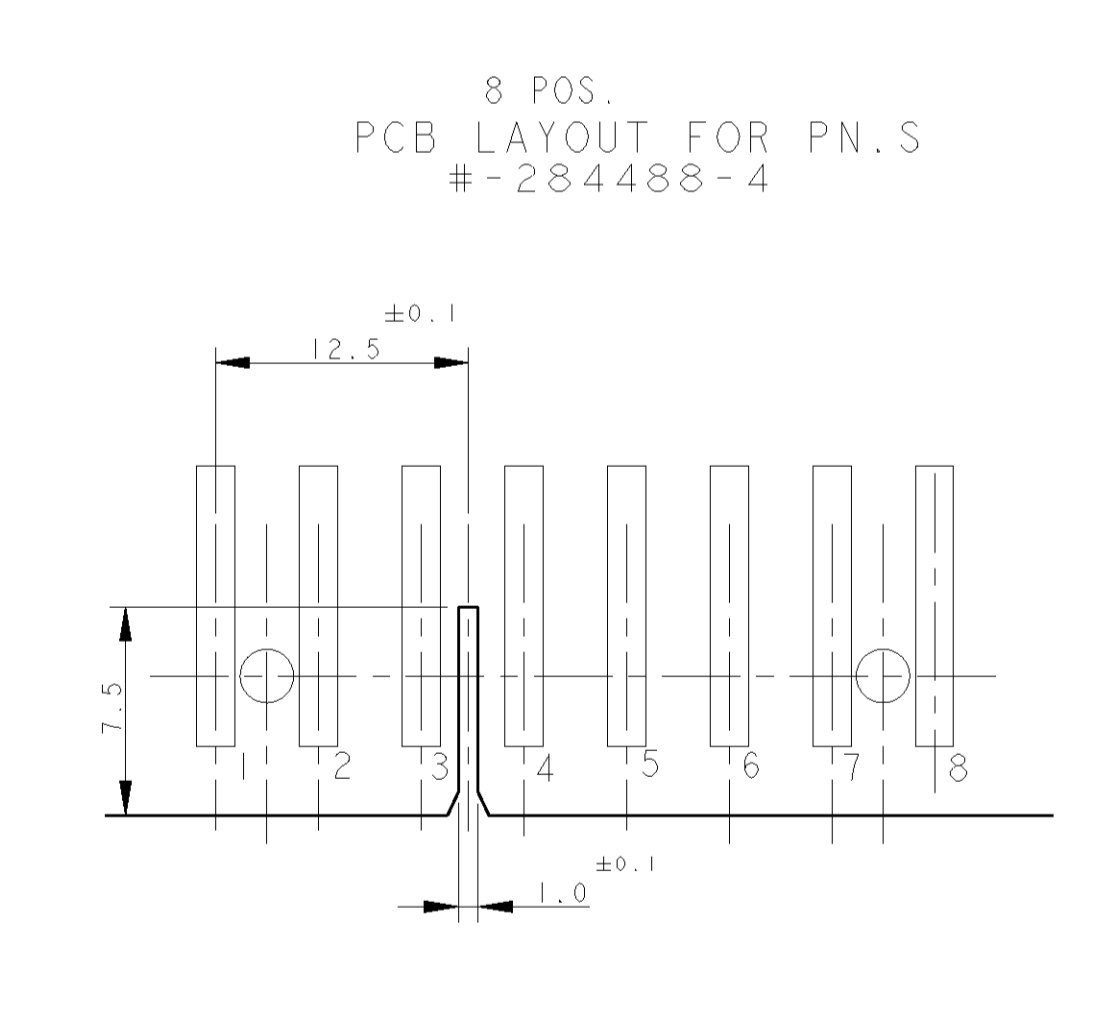
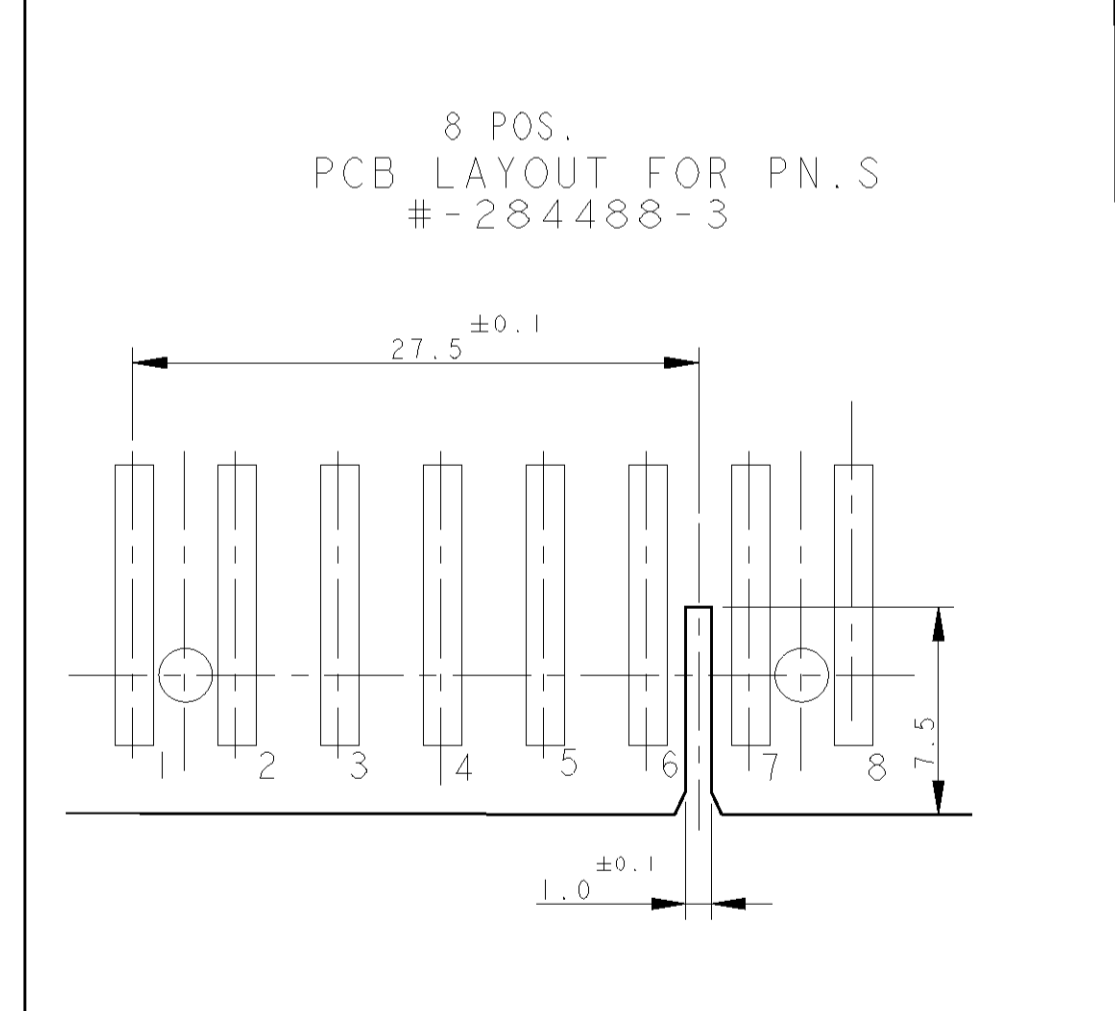
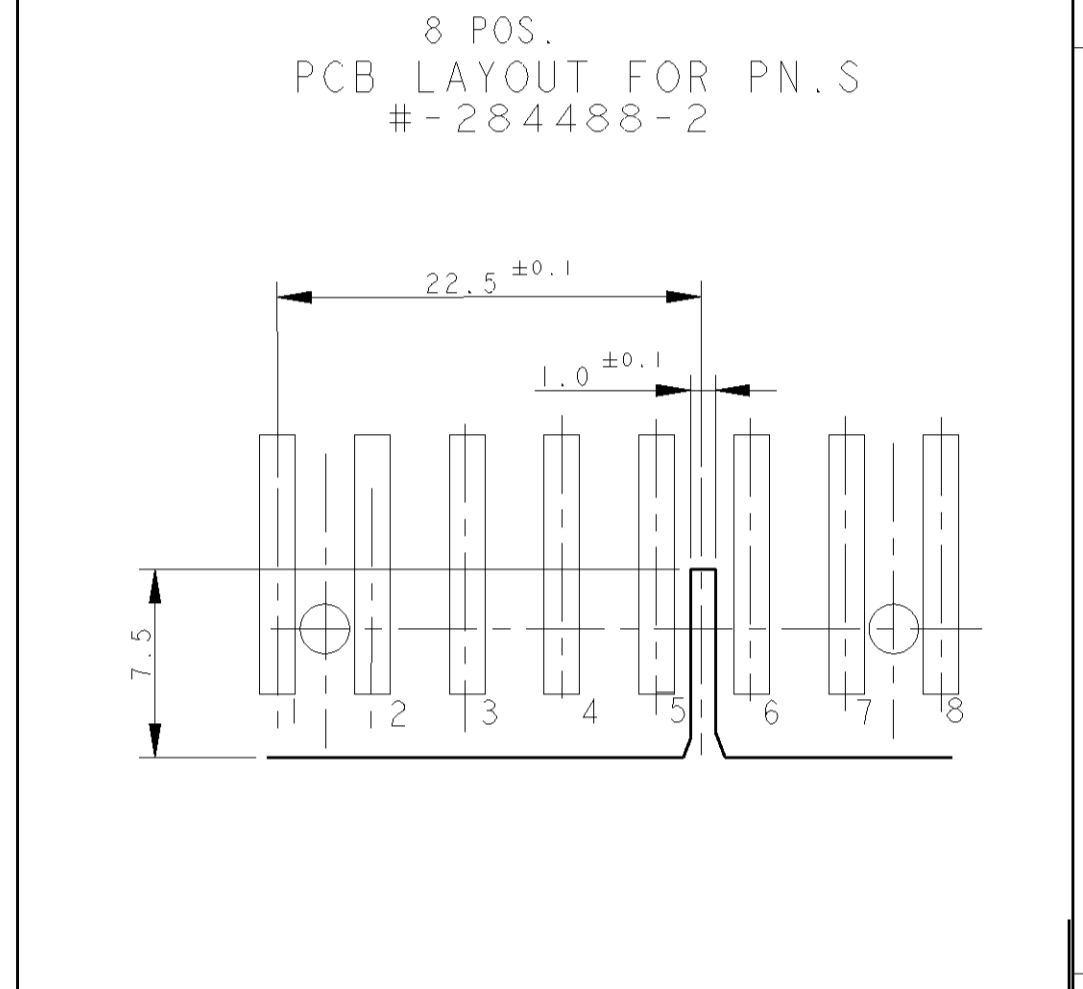
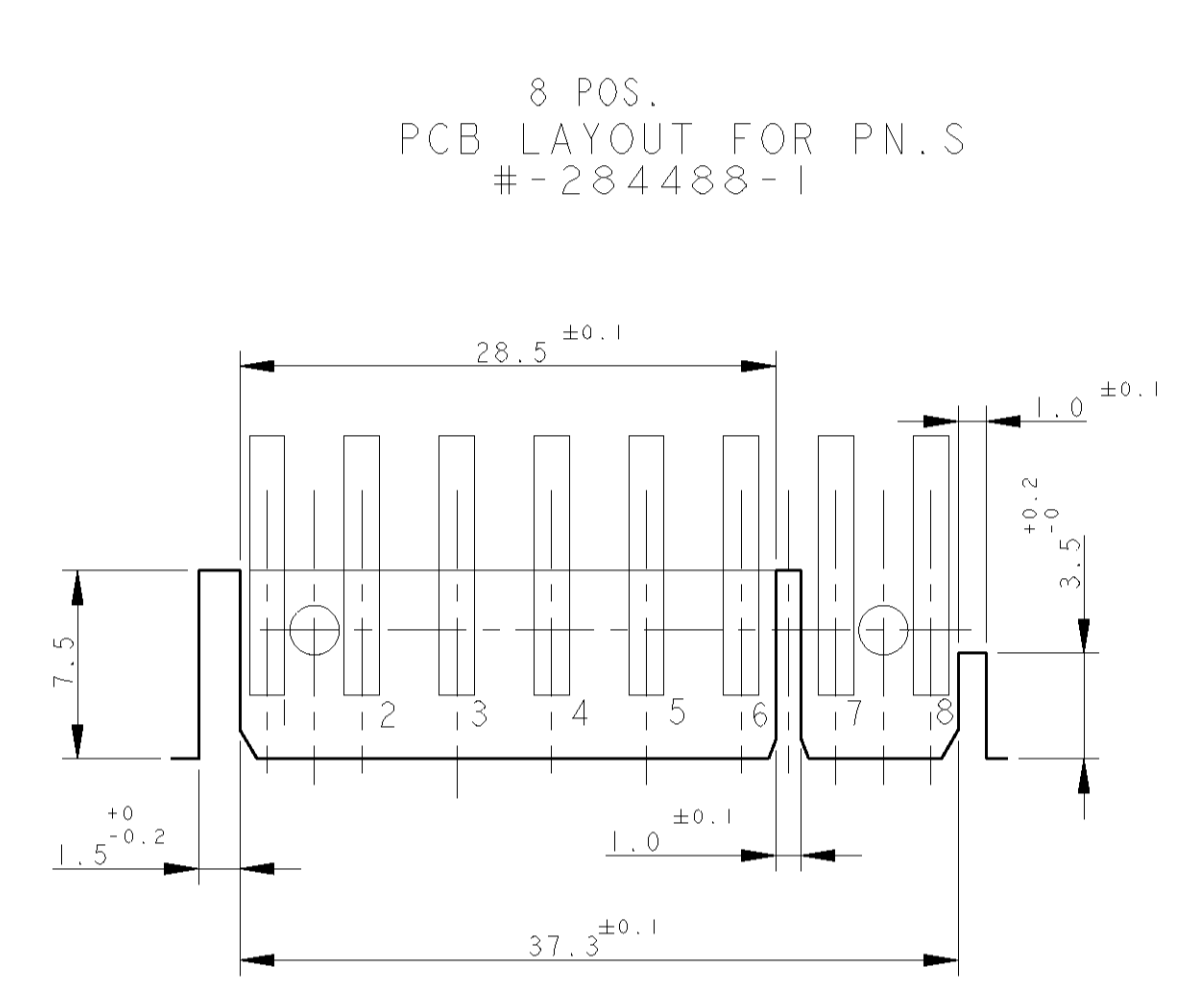
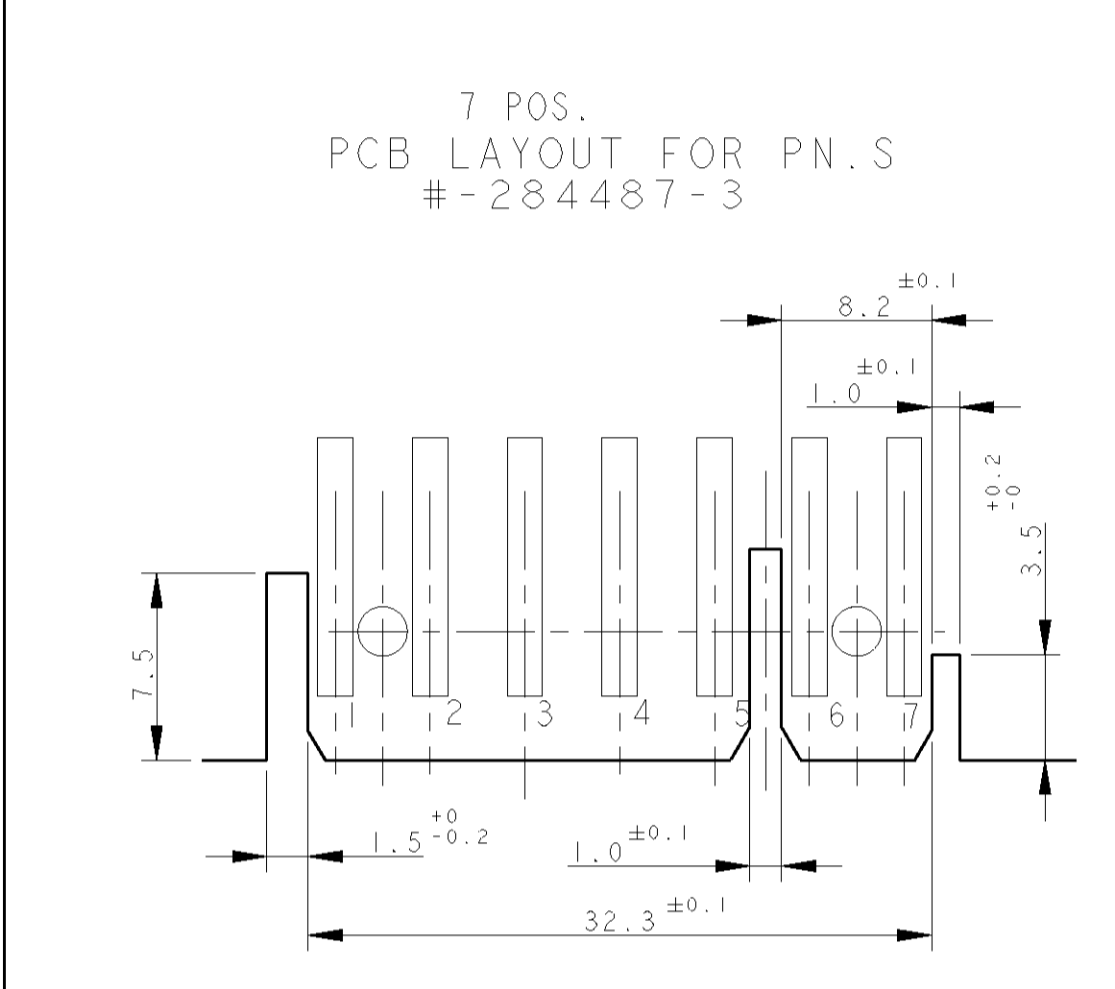
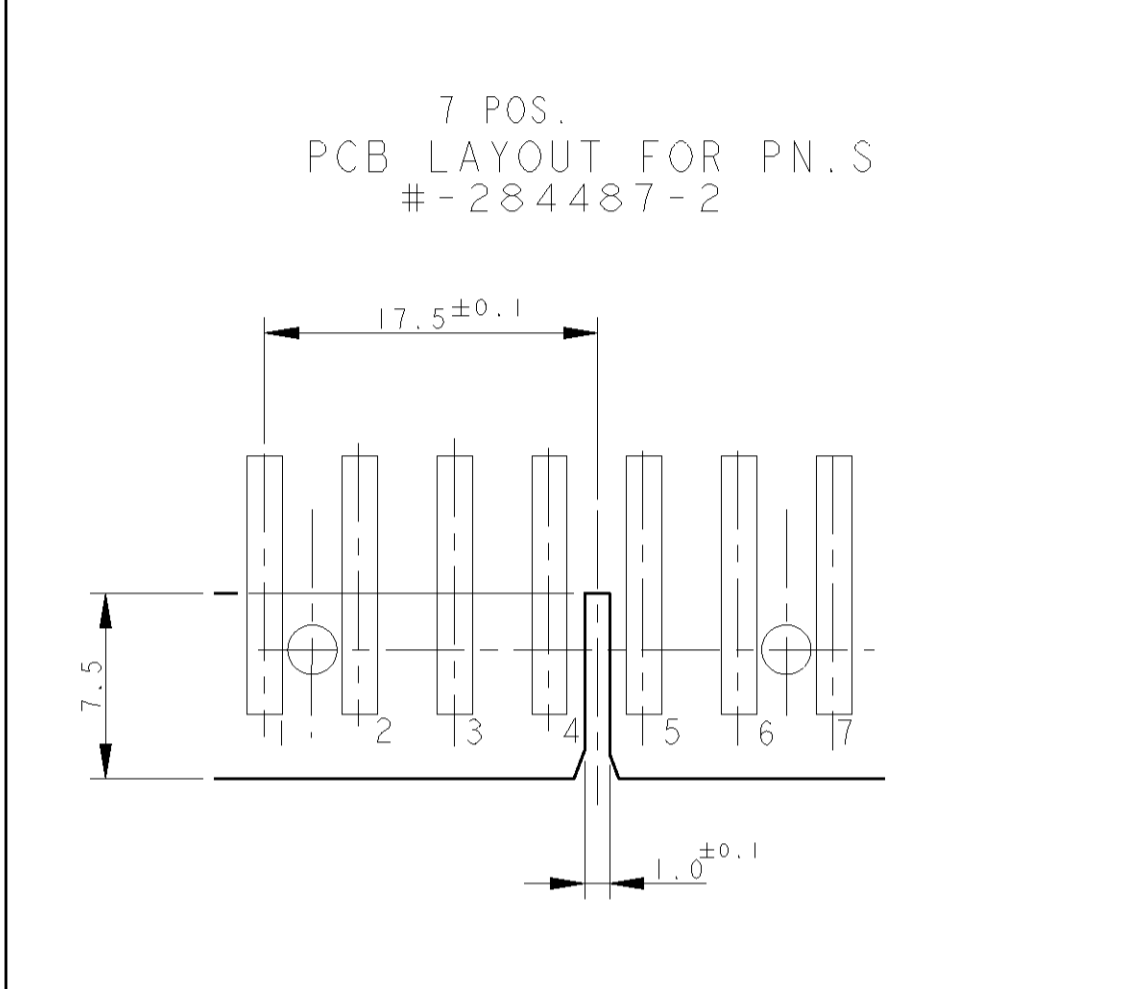
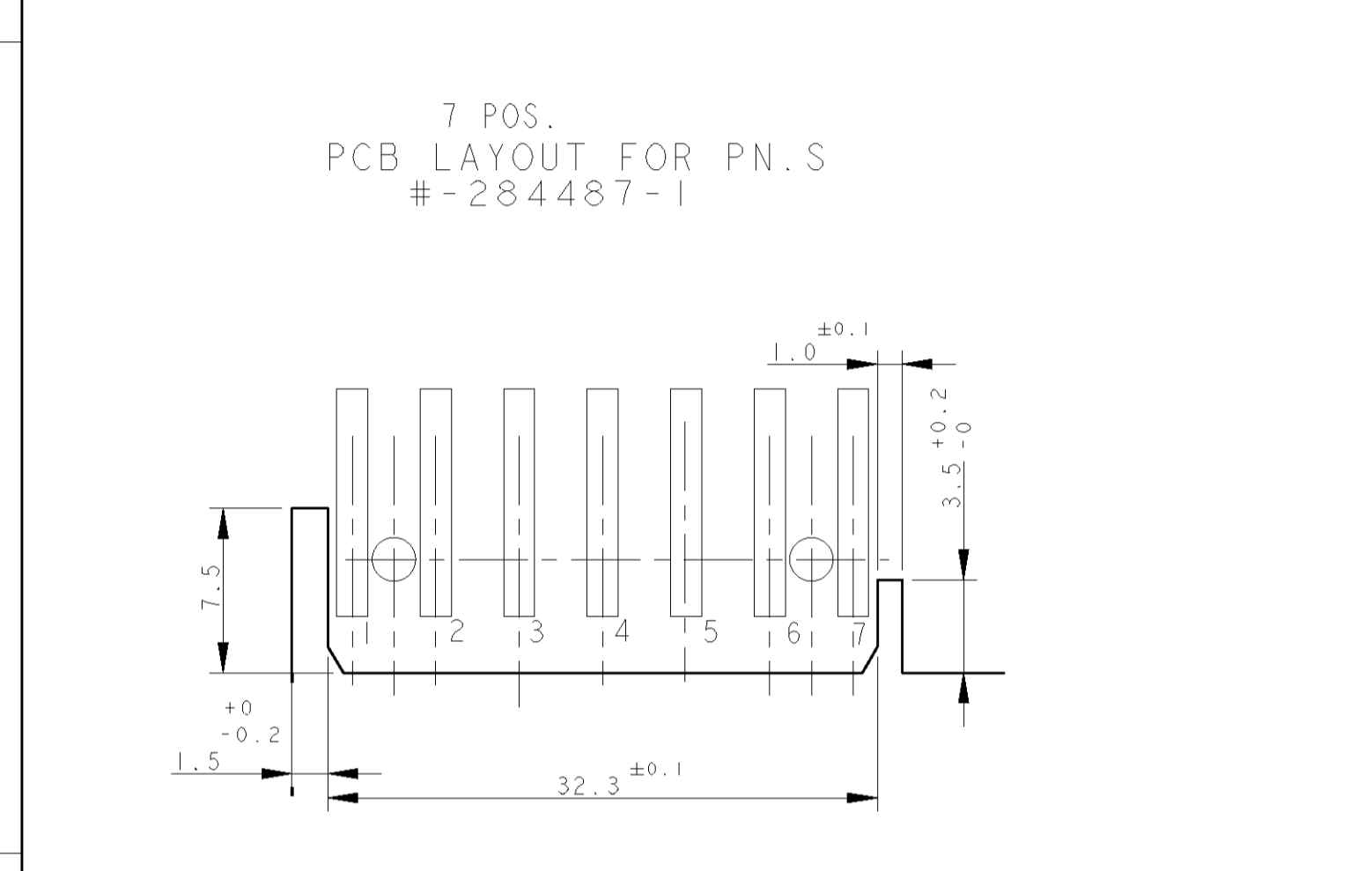
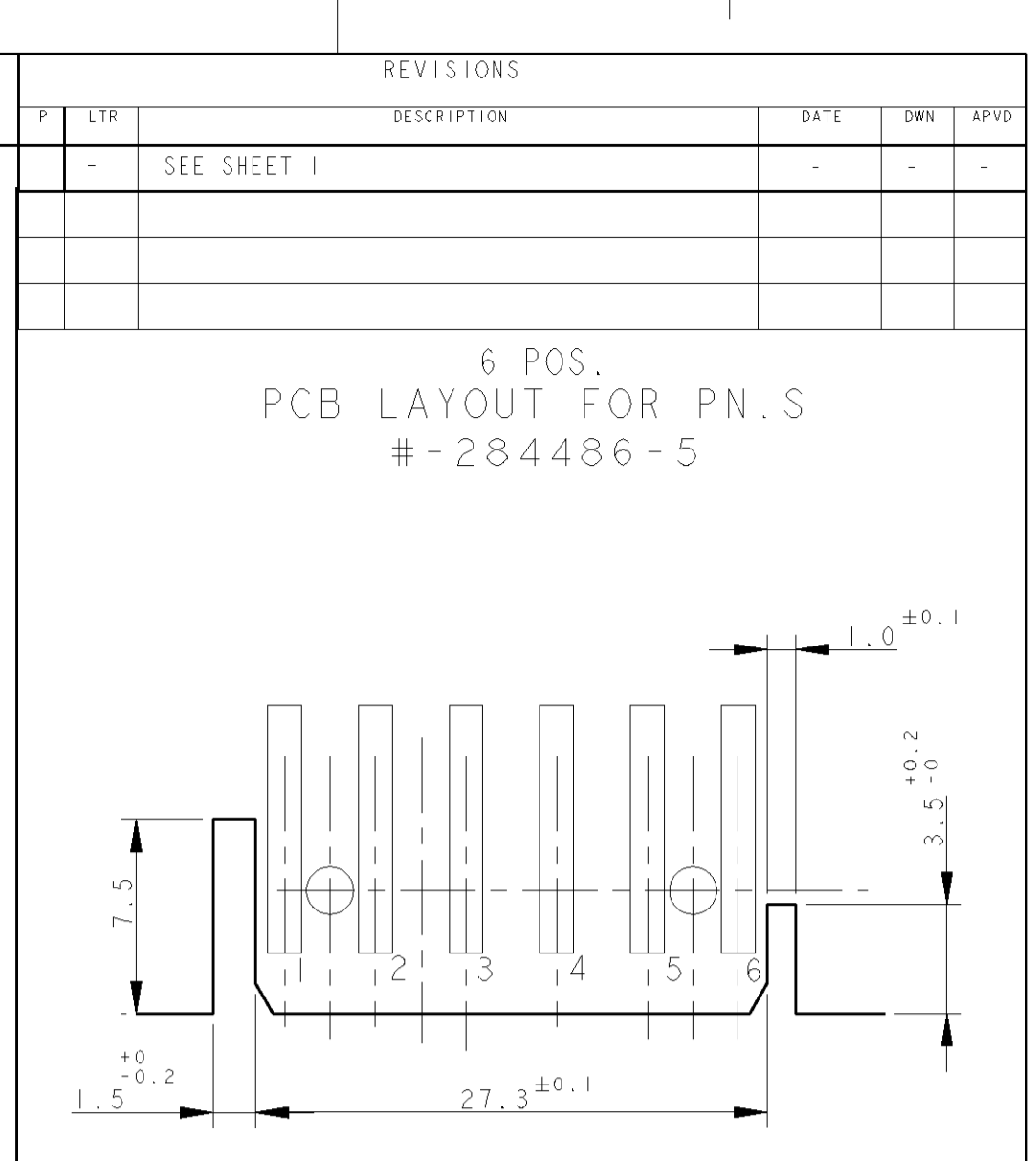
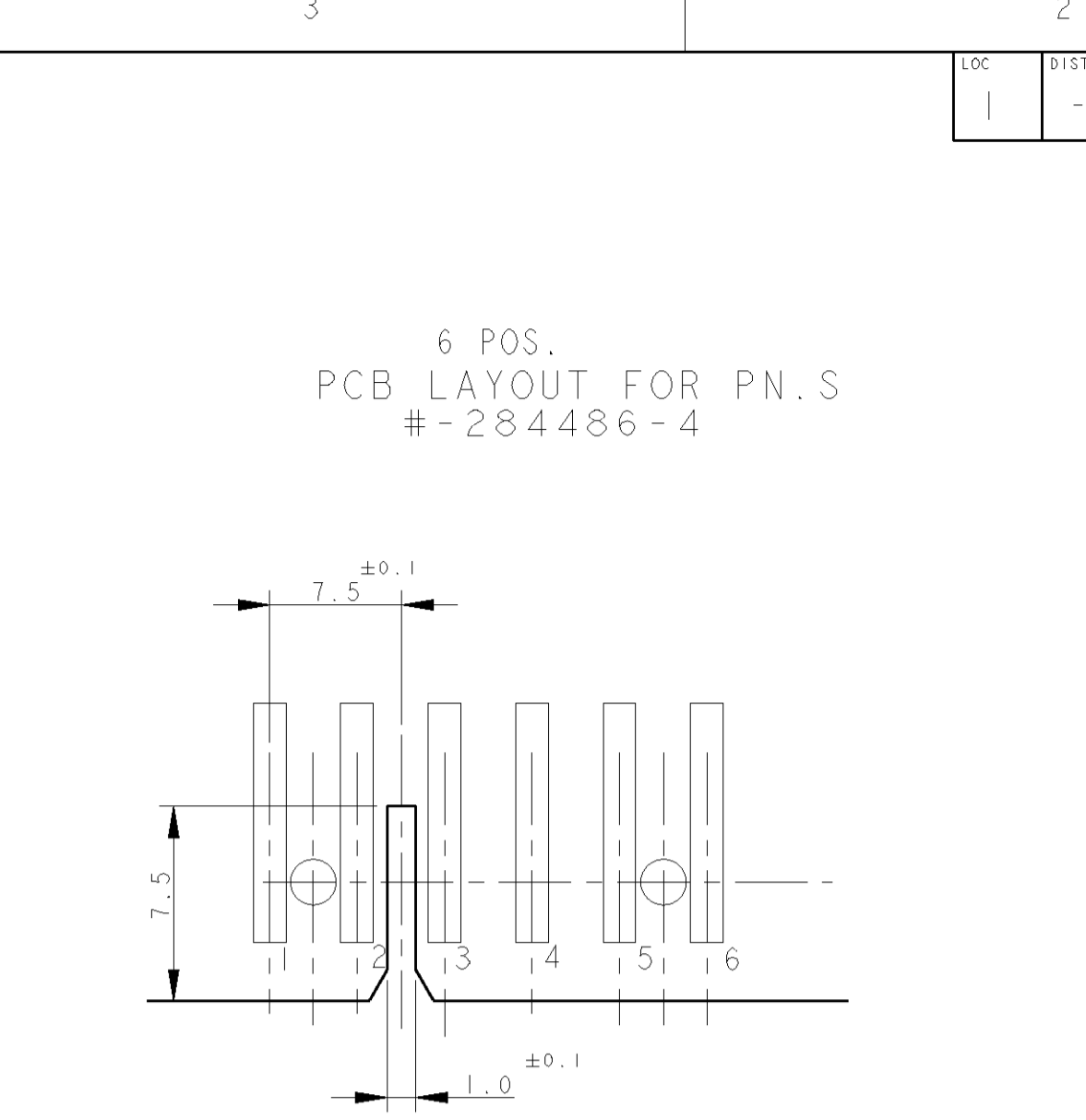
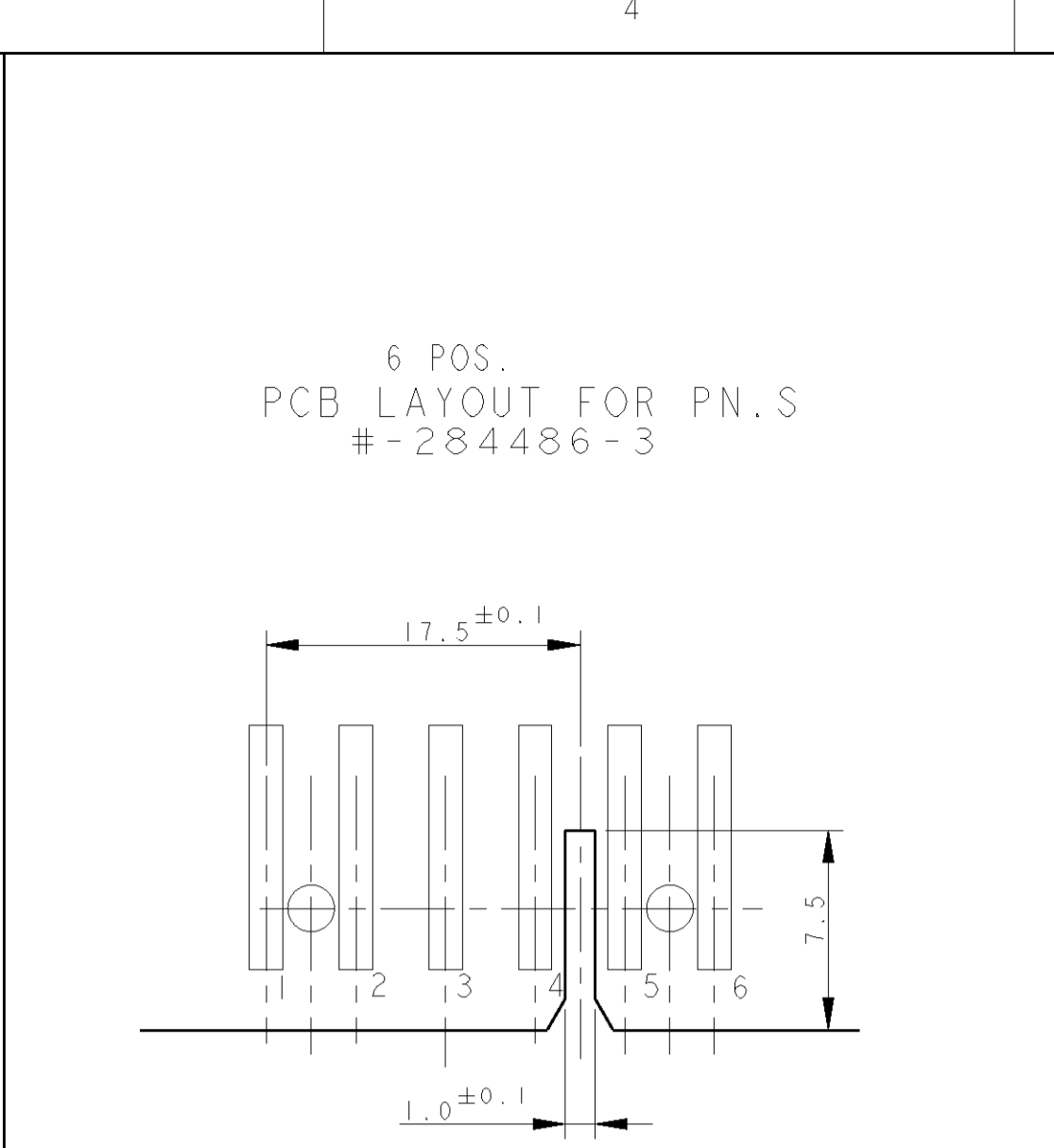
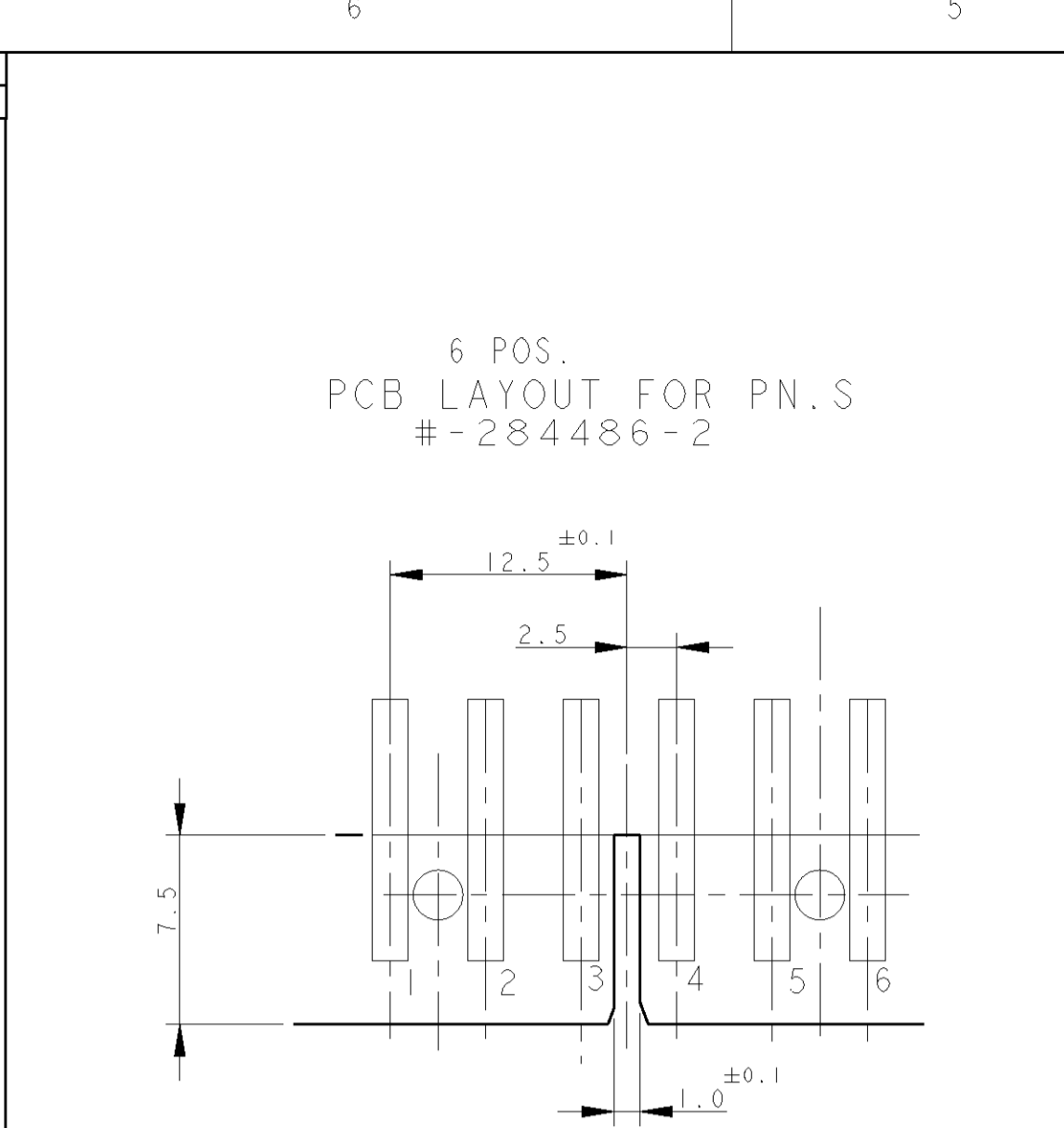
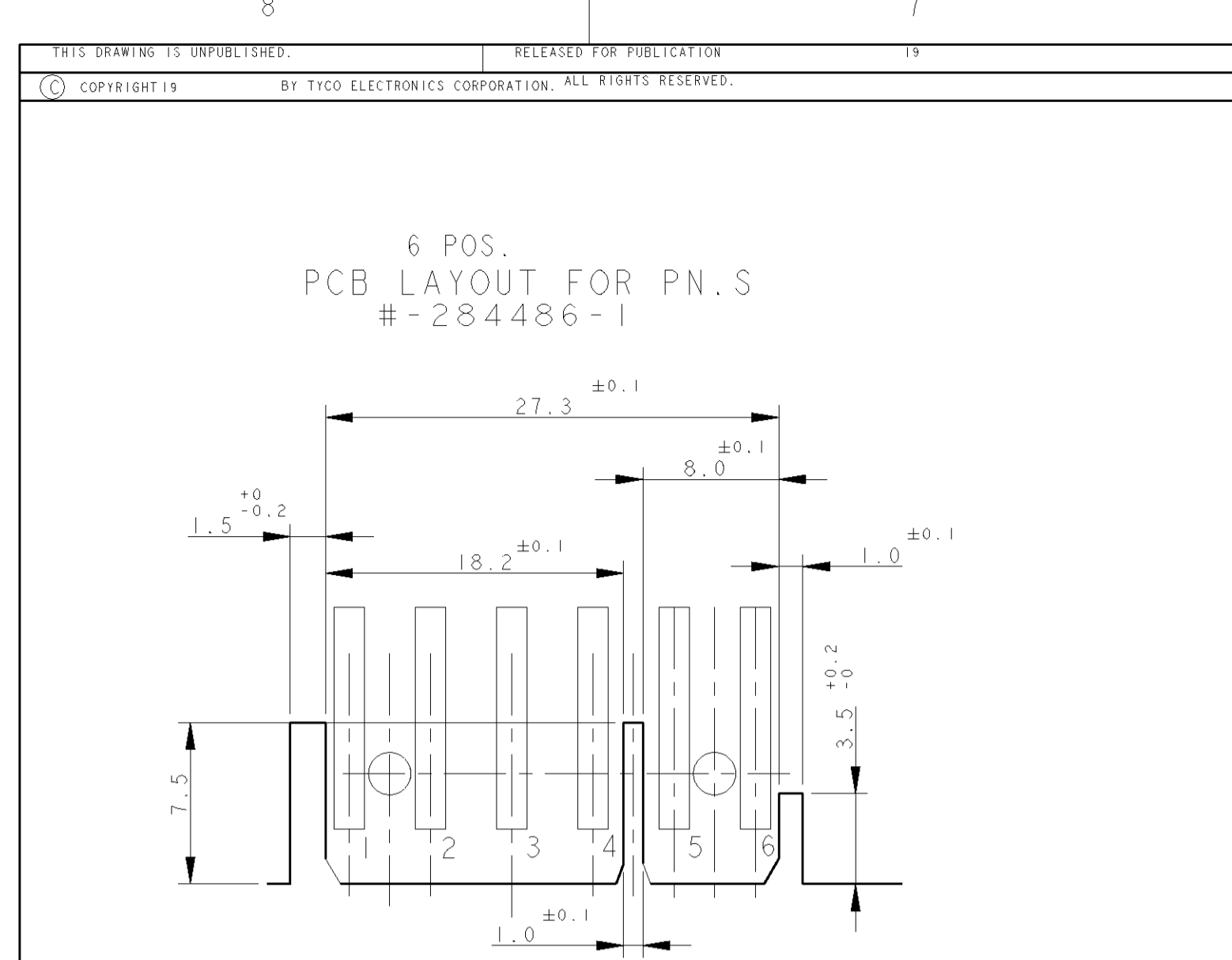


REVISIONS				
REV.	DATE	BY	APPD.	DESCRIPTION
1	-	-	-	SEE SHEET 1

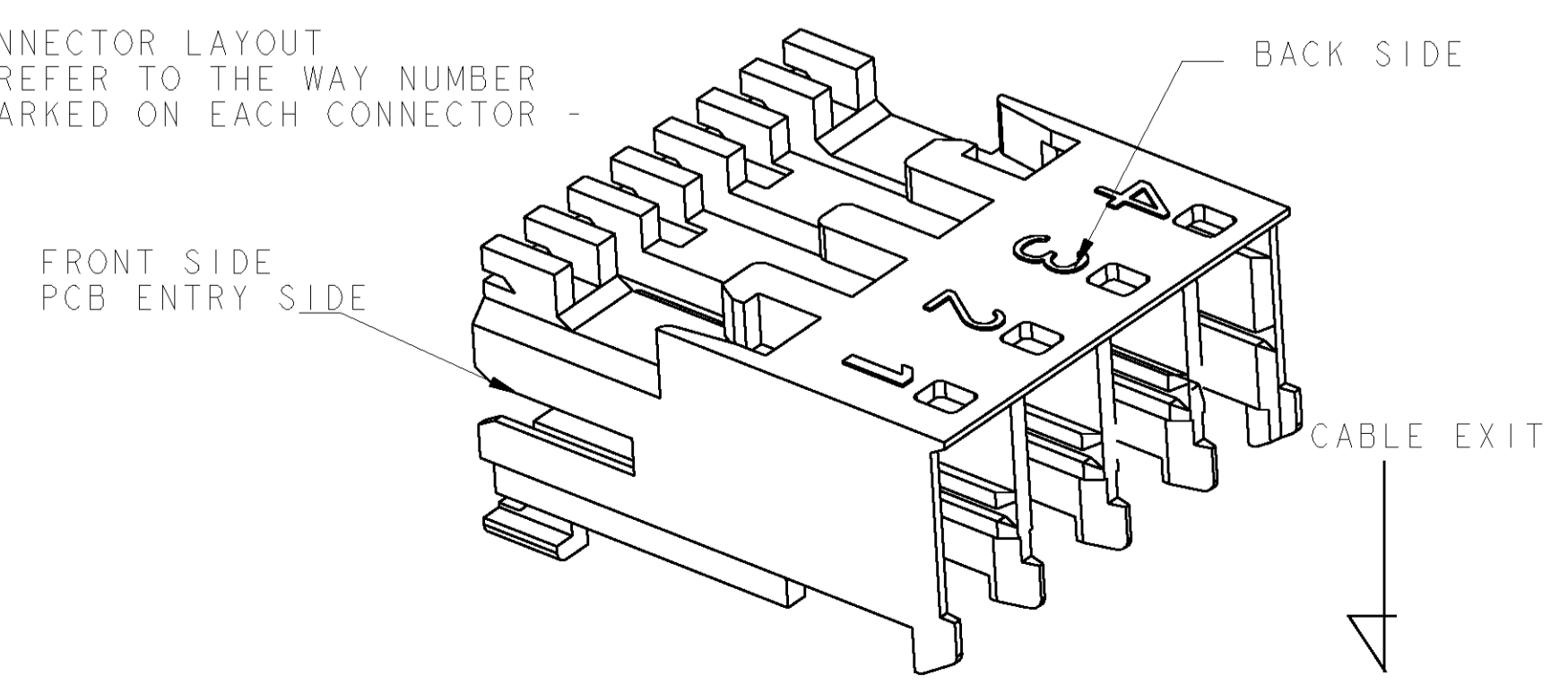


NOTE: ALL THE PCB LAYOUT ARE REFERRED TO RELEVANT CONNECTOR INSERTED WITH THE WAY NUMBERS UP (BACK SIDE OF THE CONNECTOR)

DIMENSIONS:		TOLERANCES UNLESS OTHERWISE SPECIFIED:		DWN: C. CORDOLA 12DEC2000		Tyco Electronics AMP Italia S.r.l. 10093 Collegno (TO)	
mm	0 PLC ±0.5	1 PLC ±0.1	2 PLC ±0.1	3 PLC ±0.1	4 PLC ±0.1	5 PLC ±0.1	6 PLC ±0.1
MATERIAL:		FINISH:		APVD: G. TURCO 12DEC2000		NAME: MONO-SHAPE MARK II 2-12 POS PCB CONNECTORS	
CUSTOMER DRAWING		SCALE: NO		SHEET: 3 OF 6		REV: E1	



CONNECTOR LAYOUT - REFER TO THE WAY NUMBER MARKED ON EACH CONNECTOR -

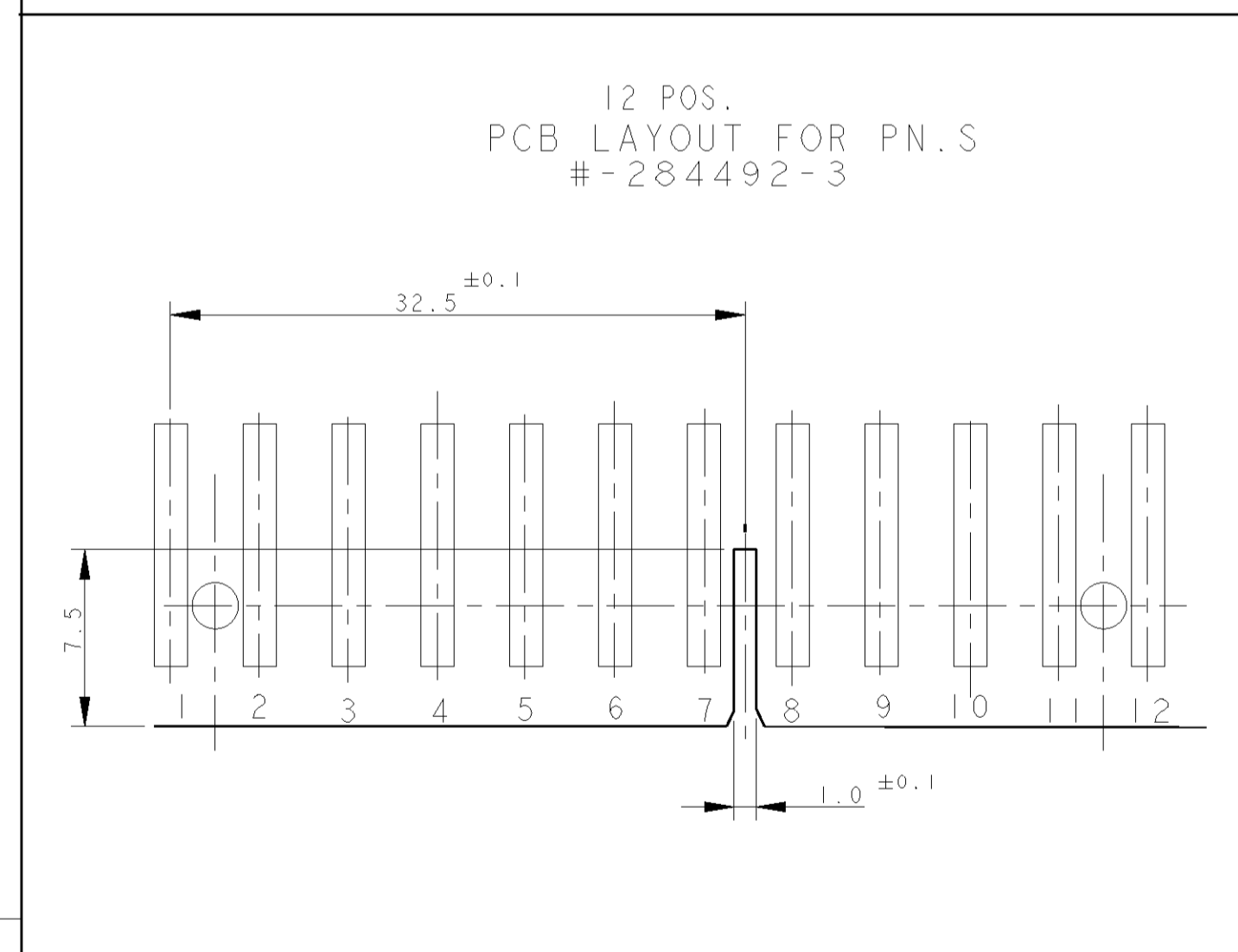
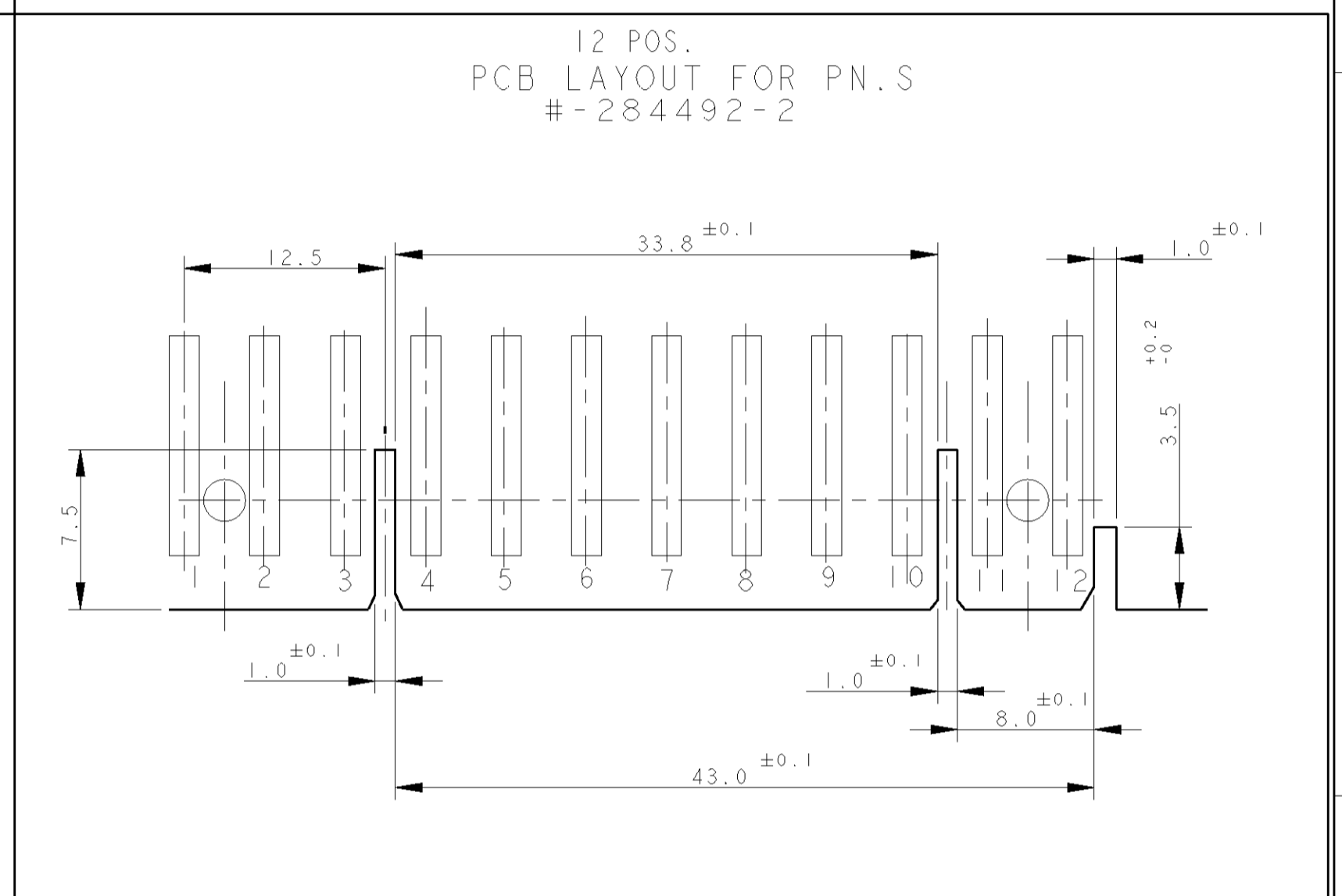
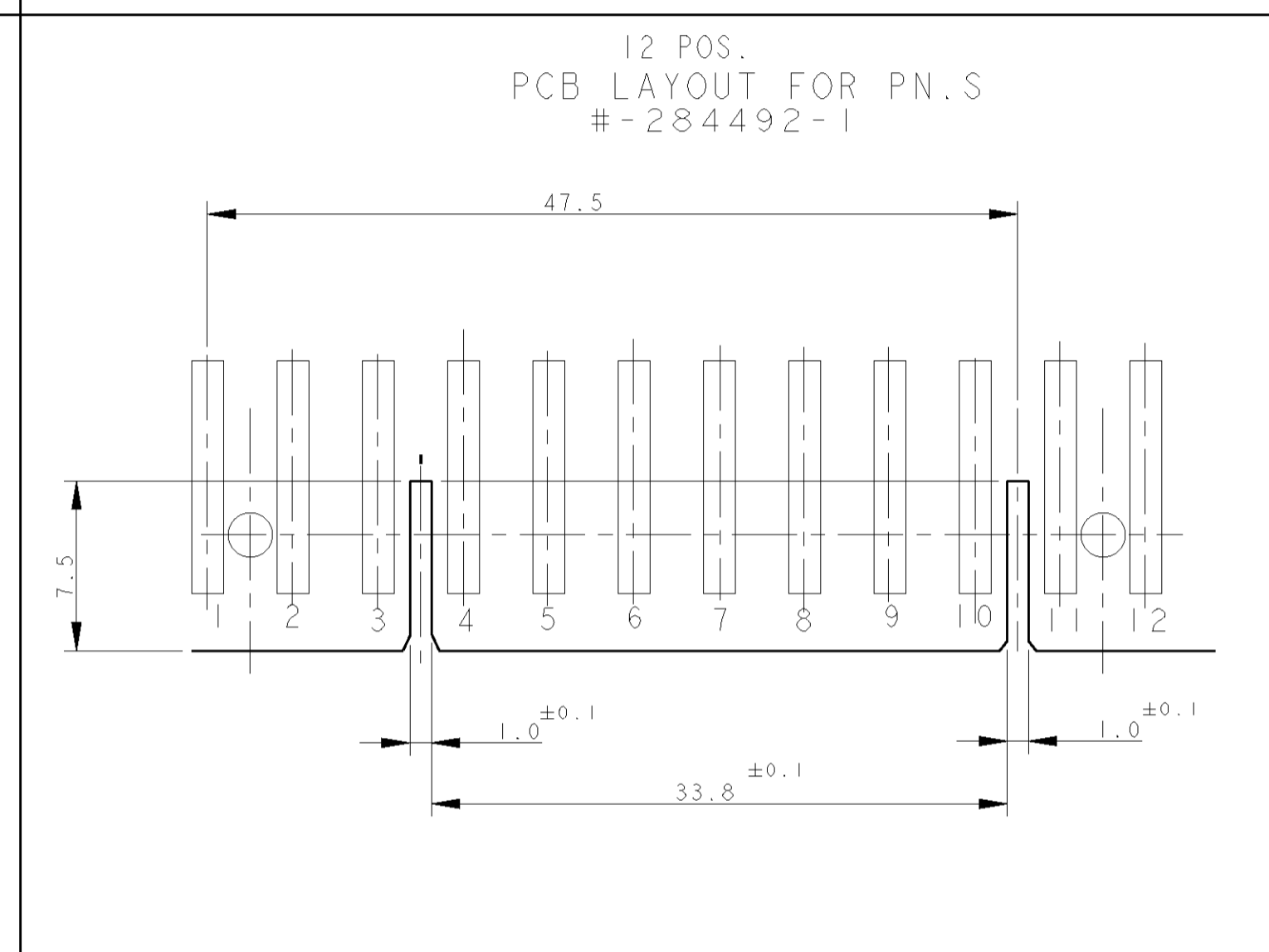
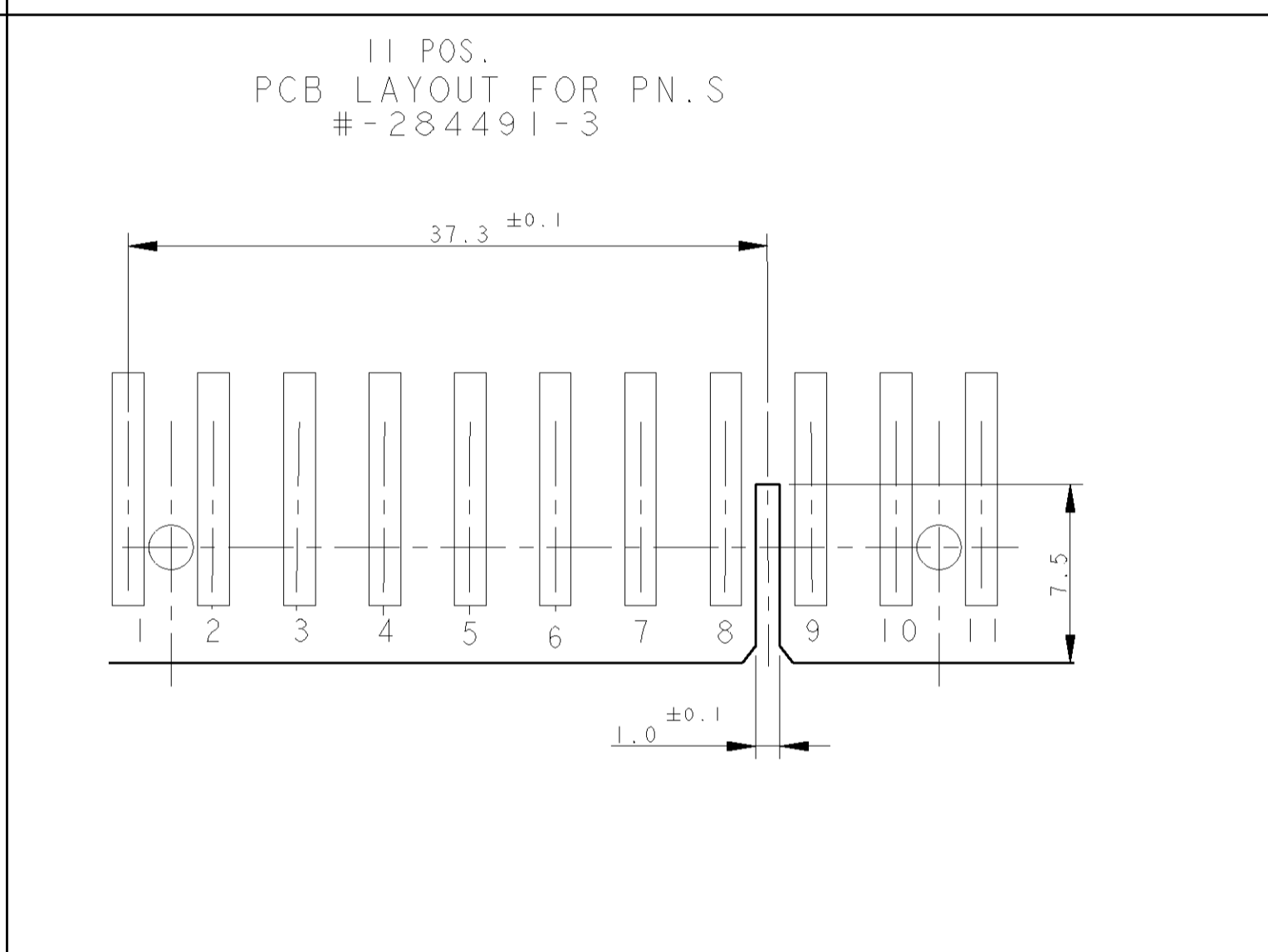
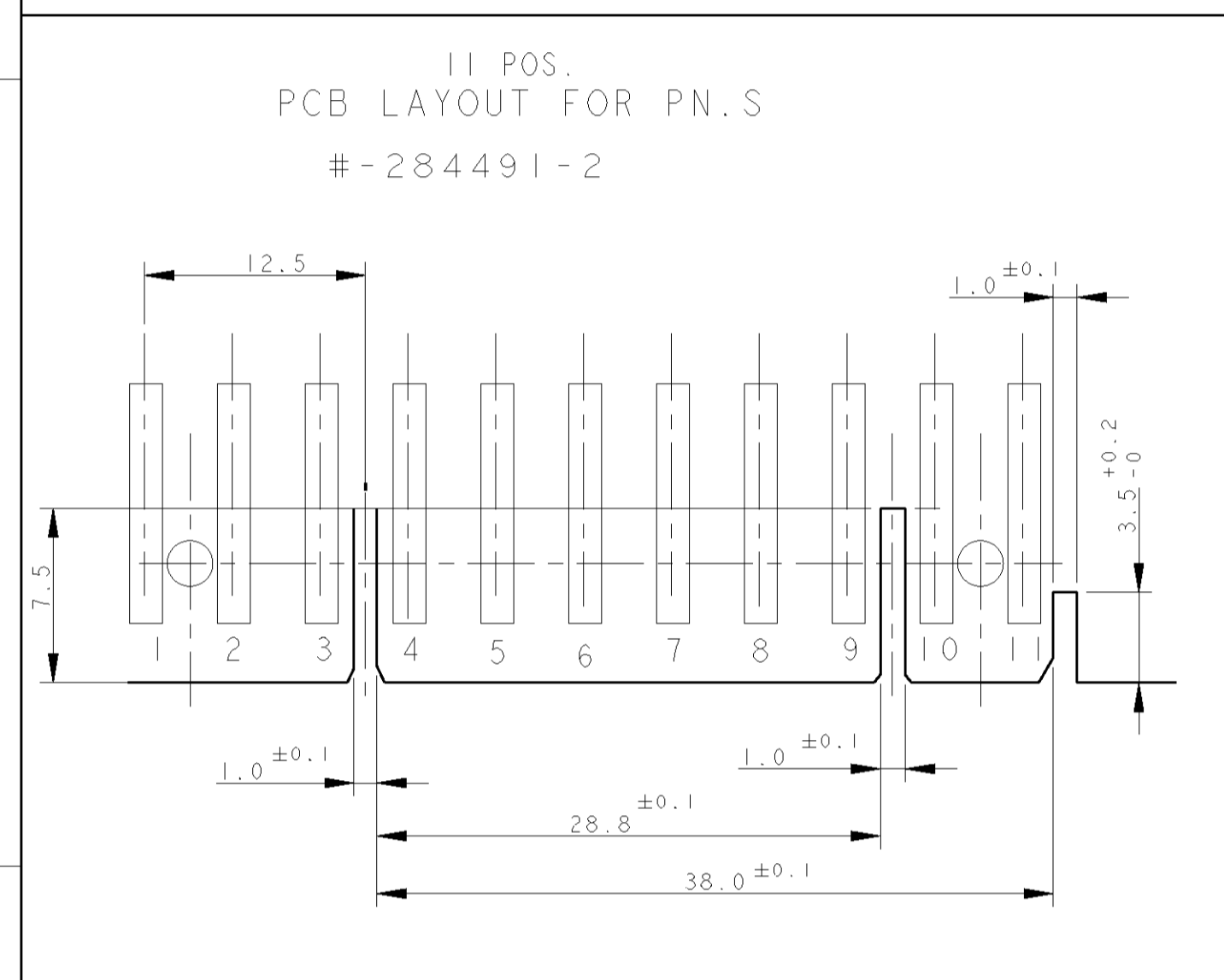
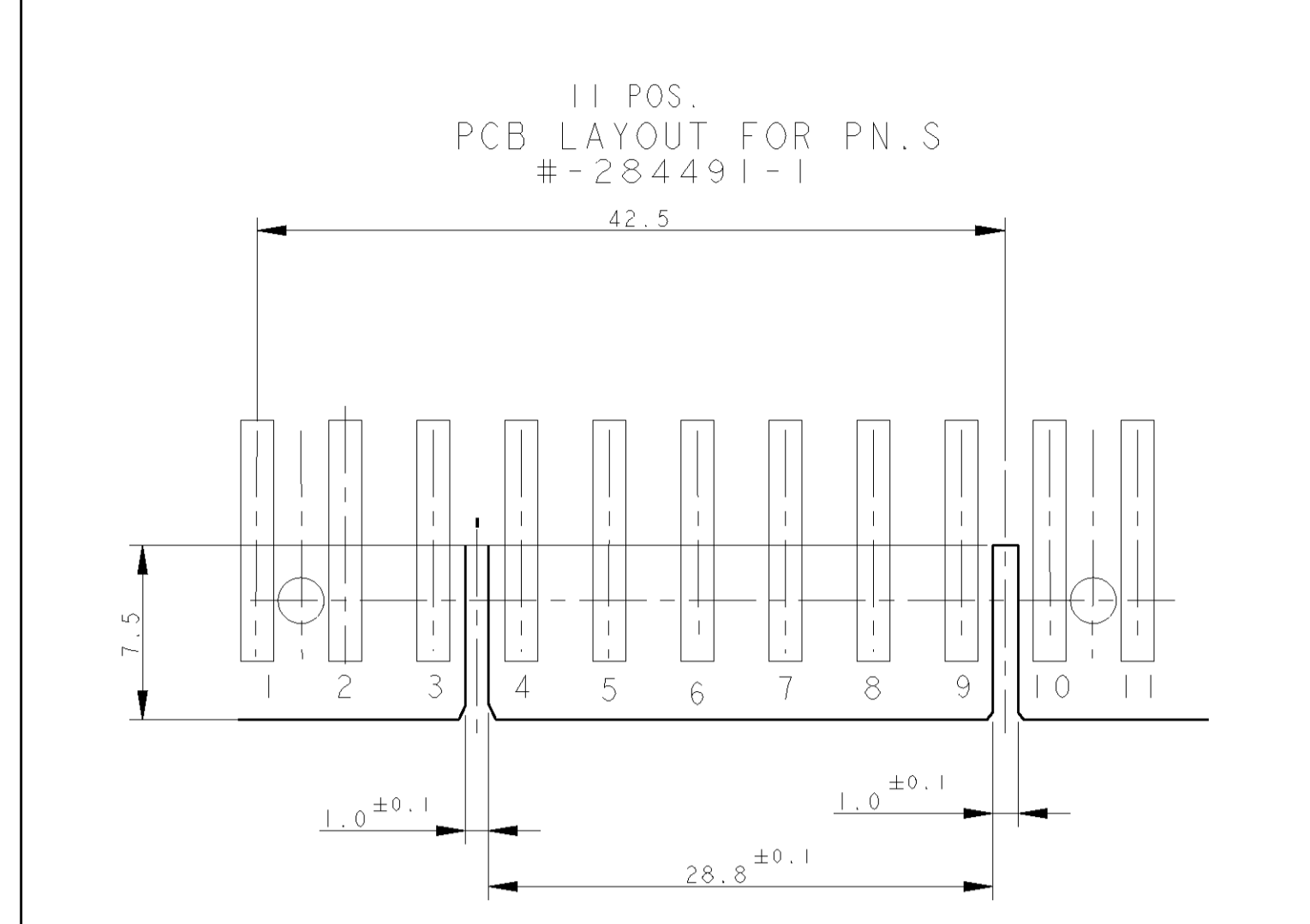
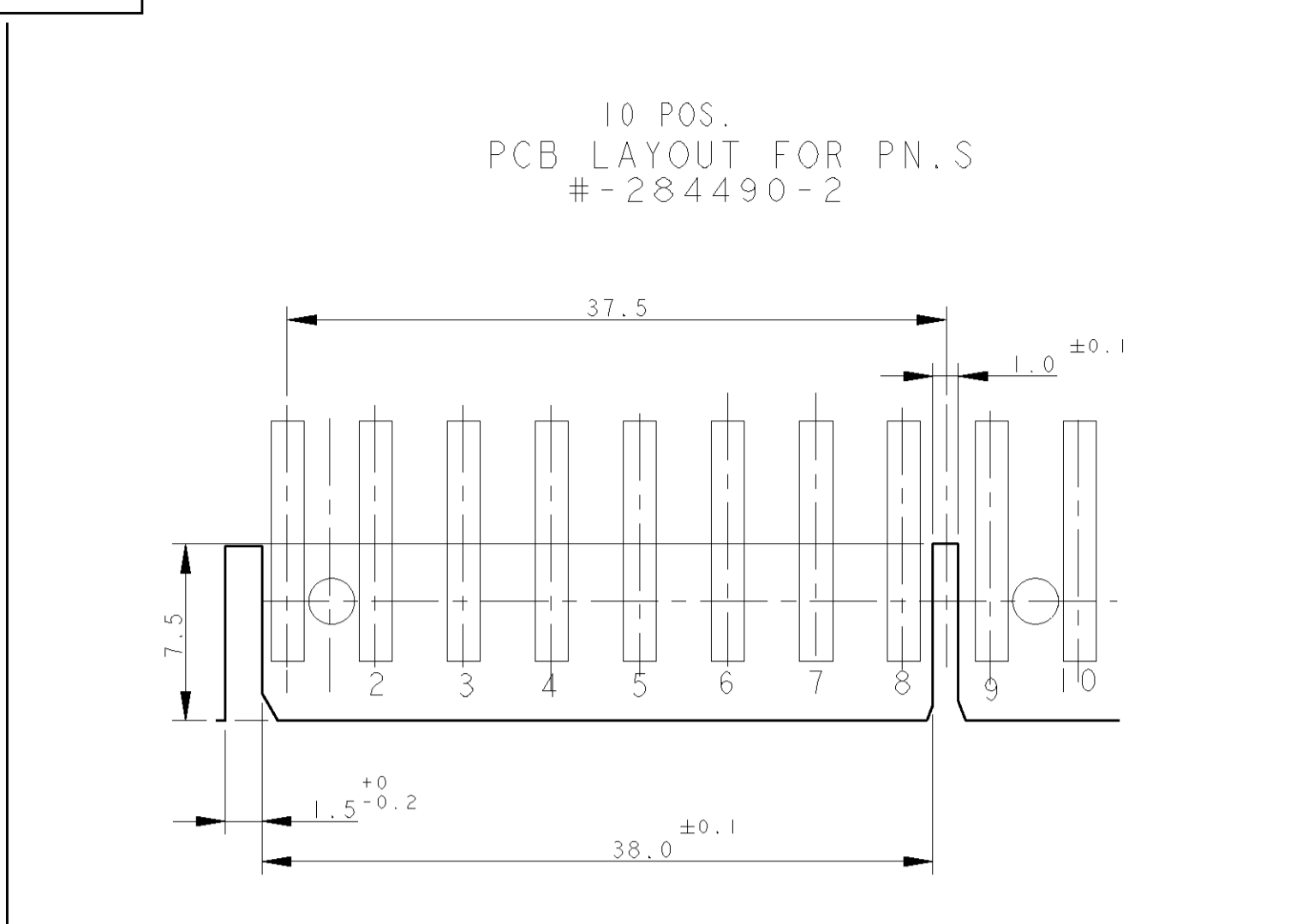
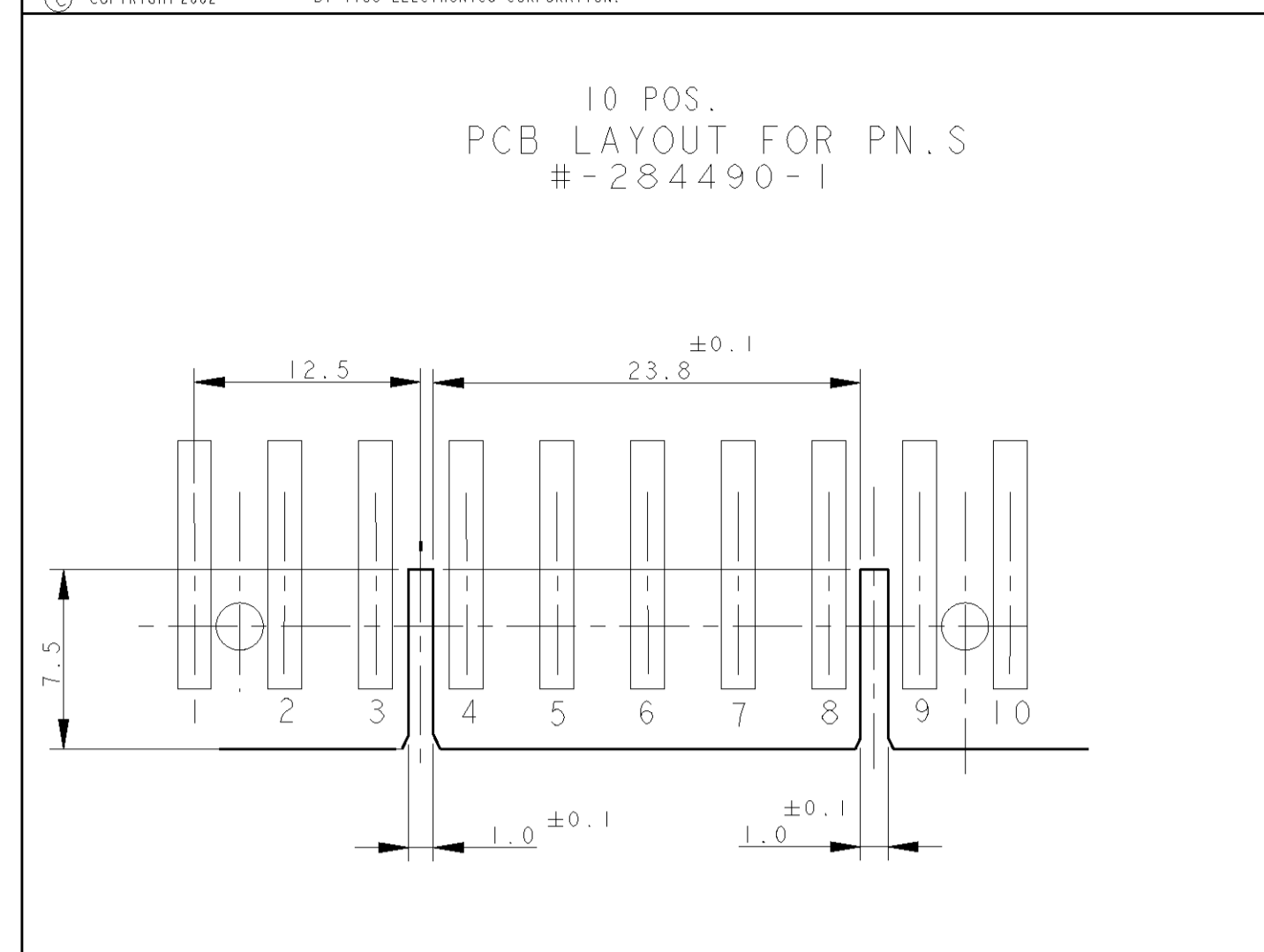


NOTE: ALL THE PCB LAYOUT ARE REFERRED TO RELEVANT CONNECTOR INSERTED WITH THE WAY NUMBERS UP (BACK SIDE OF THE CONNECTOR) AS SHOWN

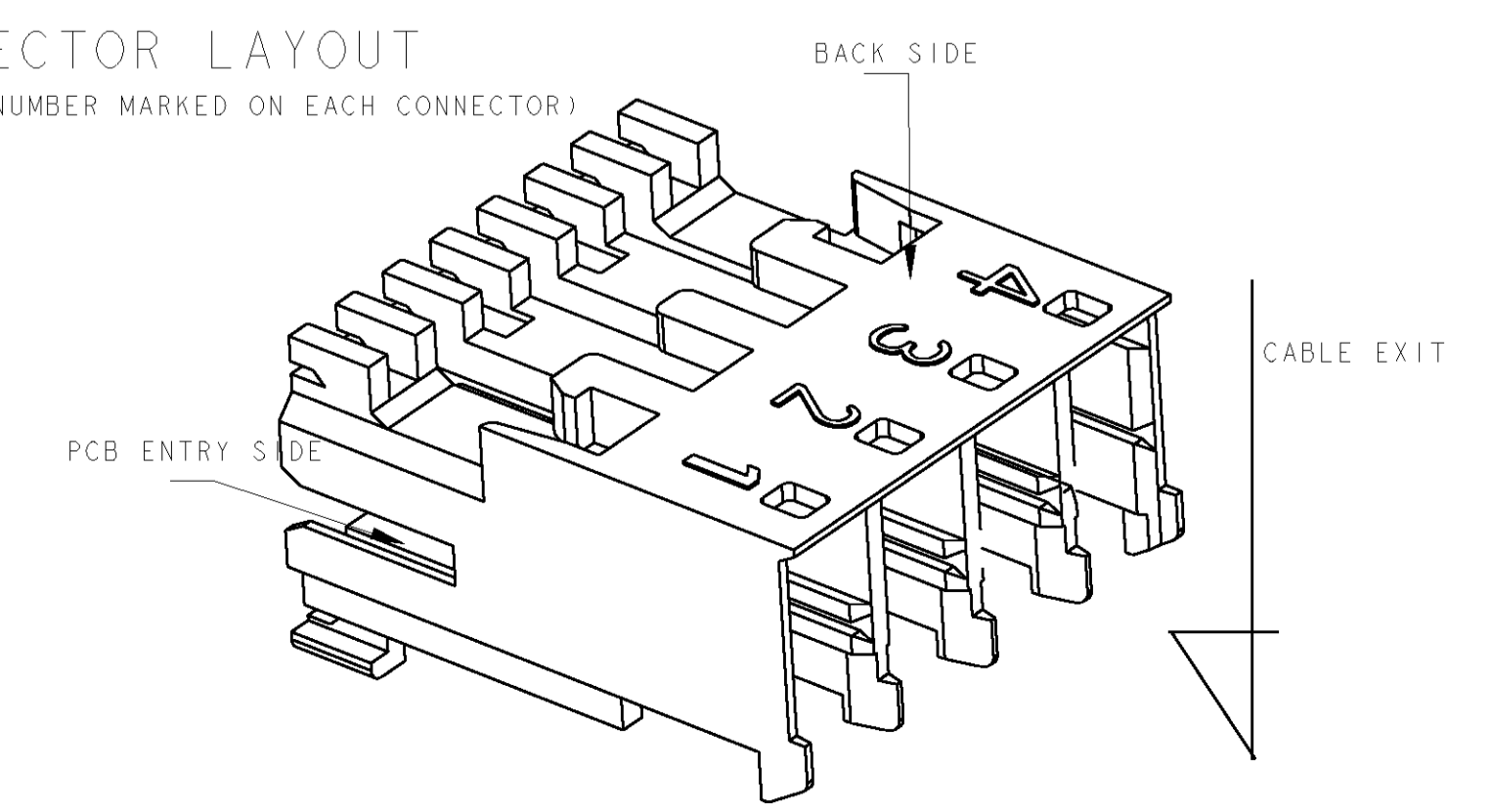
LOC	DIST	REV	DESCRIPTION	DATE	DWN	APVD
			SEE SHEET 1			

<small>THIS DRAWING IS UNPUBLISHED. RELEASED FOR PUBLICATION. COPYRIGHT © BY TYCO ELECTRONICS CORPORATION. ALL RIGHTS RESERVED.</small>		DWN: C. CORDOLA 12DEC2000 CHK: G. TURCO 12DEC2000 APVD: G. TURCO 12DEC2000	Tyco Electronics Tyco Electronics AMP Italia S.r.l. 10093 Collegno (TO)
DIMENSIONS: mm 	TOLERANCES UNLESS OTHERWISE SPECIFIED: 0 PLC ±0.5 1 PLC ±0.1 2 PLC ±0.1 3 PLC ±0.1 4 PLC ±0.1 ANGLES ±°	NAME: MONO-SHAPE MARK II 2-12 POS PCB CONNECTORS	SIZE: A1 CAGE CODE: 00779 DRAWING NO: C=284482
MATERIAL: -	FINISH: -	WEIGHT: -	RESTRICTED TO: -
CUSTOMER DRAWING		SCALE: NO	SHEET 4 OF 6

LOC		DIST		REVISIONS			
A1	-	F	LTR	DESCRIPTION	DATE	DWN	APVD
		-	-	SEE SHEET 1	-	-	-



CONNECTOR LAYOUT
 (REFER TO THE WAY NUMBER MARKED ON EACH CONNECTOR)



NOTE: ALL THE PCB LAYOUT ARE REFERRED TO RELEVANT CONNECTOR INSERTED WITH THE WAY NUMBERS UP (BACK SIDE OF THE CONNECTOR).

<small>THIS DRAWING IS UNPUBLISHED. RELEASED FOR PUBLICATION 2602. IT IS SUBJECT TO CHANGE AND WITHOUT WARRANTY OF ANY KIND. THE USER SHALL BE RESPONSIBLE FOR VERIFYING THE DIMENSIONS OF THE PARTS TO BE USED IN THE ASSEMBLY.</small>		DWN: G. CORDOLA CHK: G. TURCO DATE: DEC.2002	Tyco Electronics Tyco Electronics AMP Italia S.r.l. C. F.lli Cervi, 15 - Collegno (TO)
DIMENSIONS: mm 	TOLERANCES UNLESS OTHERWISE SPECIFIED: 0 PLC ± 1 PLC ±0.1 2 PLC ± 3 PLC ± 4 PLC ± ANGLES ±1° FINISH:	APVD: - NAME: MONO SHAPE MARK II 2-12 POS PCB CONNECTORS SIZE: A1 CAGE CODE: 00779 DRAWING NO: C=284482	RESTRICTED TO: - SCALE: NO SHEET: 5 OF 6 REV: E1
MATERIAL: -		CUSTOMER DRAWING	

LOC	DIST	REVISIONS				
		P. LTR	DESCRIPTION	DATE	DRW	APVD
A1	-	-	SEE SHEET 1	-	-	-

4 NATURAL PA 66 - UL94-V2 VERSION

No. OF POS	"L"	ASS'Y P/N	ASS'Y REV.	COLOUR CODE	OBSOLETE
2	10.0	0-284482-2	D	BLACK	
2	10.0	0-284482-3	D	VIOLET	
2	10.0	0-284482-4	D	ORANGE	
2	10.0	0-284482-5	D	GRAY	
2	10.0	0-284482-6	D	RED	
3	15.0	0-284483-1	D	GREEN	
3	15.0	0-284483-2	D	BLACK	
3	15.0	0-284483-3	D	VIOLET	
3	15.0	0-284483-4	D	ORANGE	
4	20.0	0-284484-1	D	GREEN	
4	20.0	0-284484-2	D	BLACK	
4	20.0	0-284484-3	D	VIOLET	
4	20.0	0-284484-4	D	ORANGE	
5	25.0	0-284485-1	D	GREEN	
5	25.0	0-284485-2	D	BLACK	
5	25.0	0-284485-3	D	VIOLET	
5	25.0	0-284485-4	D	ORANGE	
6	30.0	0-284486-1	D	GREEN	
6	30.0	0-284486-2	D	BLACK	
6	30.0	0-284486-3	D	VIOLET	
6	30.0	0-284486-4	D	ORANGE	
6	30.0	0-284486-5	D	GRAY	
7	35.0	0-284487-1	D	GREEN	
7	35.0	0-284487-2	D	BLACK	
7	35.0	0-284487-3	D	VIOLET	
8	40.0	0-284488-1	D	GREEN	
8	40.0	0-284488-2	D	BLACK	
8	40.0	0-284488-3	D	VIOLET	
8	40.0	0-284488-4	D	ORANGE	
9	45.0	0-284489-1	D	GREEN	
9	45.0	0-284489-2	D	BLACK	
9	45.0	0-284489-3	D	VIOLET	
9	45.0	0-284489-4	D	ORANGE	
10	50.0	0-284490-1	D	GREEN	
10	50.0	0-284490-2	D	BLACK	
11	55.5	0-284491-1	D	GREEN	
11	55.5	0-284491-2	D	BLACK	
11	55.5	0-284491-3	D	VIOLET	
12	60.0	0-284492-1	D	GREEN	
12	60.0	0-284492-2	D	BLACK	
12	60.0	0-284492-3	D	VIOLET	

4 NATURAL PA 66 - UL94-V0 VERSION

No. OF POS	"L"	ASS'Y P/N	ASS'Y REV.	COLOUR CODE	OBSOLETE
2	10.0	0-284482-2	D	BLACK	
2	10.0	0-284482-3	D	VIOLET	
2	10.0	0-284482-4	D	ORANGE	
2	10.0	0-284482-5	D	GRAY	
2	10.0	0-284482-6	D	RED	
3	15.0	0-284483-1	D	GREEN	
3	15.0	0-284483-2	D	BLACK	
3	15.0	0-284483-3	D	VIOLET	
3	15.0	0-284483-4	D	ORANGE	
4	20.0	0-284484-1	D	GREEN	
4	20.0	0-284484-2	D	BLACK	
4	20.0	0-284484-3	D	VIOLET	
4	20.0	0-284484-4	D	ORANGE	
5	25.0	0-284485-1	D	GREEN	
5	25.0	0-284485-2	D	BLACK	
5	25.0	0-284485-3	D	VIOLET	
5	25.0	0-284485-4	D	ORANGE	
6	30.0	0-284486-1	D	GREEN	
6	30.0	0-284486-2	D	BLACK	
6	30.0	0-284486-3	D	VIOLET	
6	30.0	0-284486-4	D	ORANGE	
6	30.0	0-284486-5	D	GRAY	
7	35.0	0-284487-1	D	GREEN	
7	35.0	0-284487-2	D	BLACK	
7	35.0	0-284487-3	D	VIOLET	
8	40.0	0-284488-1	D	GREEN	
8	40.0	0-284488-2	D	BLACK	
8	40.0	0-284488-3	D	VIOLET	
8	40.0	0-284488-4	D	ORANGE	
9	45.0	0-284489-1	D	GREEN	
9	45.0	0-284489-2	D	BLACK	
9	45.0	0-284489-3	D	VIOLET	
9	45.0	0-284489-4	D	ORANGE	
10	50.0	0-284490-1	D	GREEN	
10	50.0	0-284490-2	D	BLACK	
11	55.5	0-284491-1	D	GREEN	
11	55.5	0-284491-2	D	BLACK	
11	55.5	0-284491-3	D	VIOLET	
12	60.0	0-284492-1	D	GREEN	
12	60.0	0-284492-2	D	BLACK	
12	60.0	0-284492-3	D	VIOLET	

4 NATURAL PA 66 G.W. 750 NO FLAME VERSION

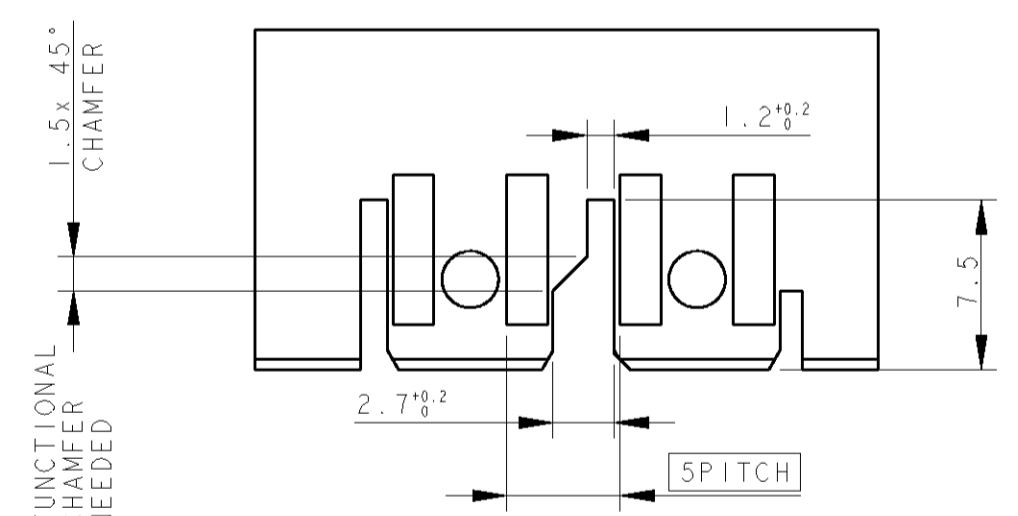
No. OF POS	"L"	ASS'Y P/N	ASS'Y REV.	COLOUR CODE	OBSOLETE
2	10.0	3-284482-2	B	BLACK	
2	10.0	3-284482-3	B	VIOLET	
2	10.0	3-284482-4	B	ORANGE	
2	10.0	3-284482-5	B	GRAY	
2	10.0	3-284482-6	B	RED	
3	15.0	3-284483-1	B	GREEN	
3	15.0	3-284483-2	B	BLACK	
3	15.0	3-284483-3	B	VIOLET	
3	15.0	3-284483-4	B	ORANGE	
4	20.0	3-284484-1	B	GREEN	
4	20.0	3-284484-2	B	BLACK	
4	20.0	3-284484-3	B	VIOLET	
4	20.0	3-284484-4	B	ORANGE	
5	25.0	3-284485-1	B	GREEN	
5	25.0	3-284485-2	B	BLACK	
5	25.0	3-284485-3	B	VIOLET	
5	25.0	3-284485-4	B	ORANGE	
6	30.0	3-284486-1	B	GREEN	
6	30.0	3-284486-2	B	BLACK	
6	30.0	3-284486-3	B	VIOLET	
6	30.0	3-284486-4	B	ORANGE	
6	30.0	3-284486-5	B	GRAY	
7	35.0	3-284487-1	B	GREEN	
7	35.0	3-284487-2	B	BLACK	
7	35.0	3-284487-3	B	VIOLET	
8	40.0	3-284488-1	B	GREEN	
8	40.0	3-284488-2	B	BLACK	
8	40.0	3-284488-3	B	VIOLET	
8	40.0	3-284488-4	B	ORANGE	
9	45.0	3-284489-1	B	GREEN	
9	45.0	3-284489-2	B	BLACK	
9	45.0	3-284489-3	B	VIOLET	
9	45.0	3-284489-4	B	ORANGE	
10	50.0	3-284490-1	B	GREEN	
10	50.0	3-284490-2	B	BLACK	
11	55.5	3-284491-1	B	GREEN	
11	55.5	3-284491-2	B	BLACK	
11	55.5	3-284491-3	B	VIOLET	
12	60.0	3-284492-1	B	GREEN	
12	60.0	3-284492-2	B	BLACK	
12	60.0	3-284492-3	B	VIOLET	

4 NATURAL PA 66 - UL94-V0 and GWIT 750 NF VERSION (PRELIMINARY-NOT YET IN PRODUCTION)

No. OF POS	"L"	ASS'Y P/N	ASS'Y REV.	COLOUR CODE	OBSOLETE
2	10.0	4-284482-2	A	BLACK	
2	10.0	4-284482-3	A	VIOLET	
2	10.0	4-284482-4	A	ORANGE	
2	10.0	4-284482-5	A	GRAY	
2	10.0	4-284482-6	A	RED	
3	15.0	4-284483-1	A	GREEN	
3	15.0	4-284483-2	A	BLACK	
3	15.0	4-284483-3	A	VIOLET	
3	15.0	4-284483-4	A	ORANGE	
4	20.0	4-284484-1	A	GREEN	
4	20.0	4-284484-2	A	BLACK	
4	20.0	4-284484-3	A	VIOLET	
4	20.0	4-284484-4	A	ORANGE	
5	25.0	4-284485-1	A	GREEN	
5	25.0	4-284485-2	A	BLACK	
5	25.0	4-284485-3	A	VIOLET	
5	25.0	4-284485-4	A	ORANGE	
6	30.0	4-284486-1	A	GREEN	
6	30.0	4-284486-2	A	BLACK	
6	30.0	4-284486-3	A	VIOLET	
6	30.0	4-284486-4	A	ORANGE	
6	30.0	4-284486-5	A	GRAY	
7	35.0	4-284487-1	A	GREEN	
7	35.0	4-284487-2	A	BLACK	
7	35.0	4-284487-3	A	VIOLET	
8	40.0	4-284488-1	A	GREEN	
8	40.0	4-284488-2	A	BLACK	
8	40.0	4-284488-3	A	VIOLET	
8	40.0	4-284488-4	A	ORANGE	
9	45.0	4-284489-1	A	GREEN	
9	45.0	4-284489-2	A	BLACK	
9	45.0	4-284489-3	A	VIOLET	
9	45.0	4-284489-4	A	ORANGE	
10	50.0	4-284490-1	A	GREEN	
10	50.0	4-284490-2	A	BLACK	
11	55.5	4-284491-1	A	GREEN	
11	55.5	4-284491-2	A	BLACK	
11	55.5	4-284491-3	A	VIOLET	
12	60.0	4-284492-1	A	GREEN	
12	60.0	4-284492-2	A	BLACK	
12	60.0	4-284492-3	A	VIOLET	

- 1 CARD SLOT WALL CLOGGED TO OBTAIN POLARIZATION ON PRINTED CIRCUIT BOARD
- 2 KEYING RIB ON FIRST AND LAST CAVITY SEE NOTE 15
- 2a TYPICAL KEYING RIB SEE NOTE 15
- 3 POLARIZATION RIB (ALL) SEE NOTE 15
- 4 MATERIALS:
 - HOUSINGS: NYLON UNFILLED, BASED ON PRODUCT APPLICATION DIFFERENT TYPE OF MATERIAL ARE AVAILABLE.
 - UL94-V2 GRADE - PRE DASH 0
 - UL94-V0 GRADE - PRE DASH 1
 - UL94-V2 & GLOW WIRE 750* NO FLAME GRADE- PRE DASH 3
 - UL94-V0 & GLOW WIRE 750* NO FLAME GRADE- PRE DASH 4
 FOR DETAIL SEE RELEVANT TABLE.
 - CONTACTS: HIGH CONDUCTIVITY COPPER ALLOY
- 5 AMP LOGO FREE POSITION
- 6 CIRCUIT IDENTIFICATION
- 7 LOCKING TEETH IS ALWAYS PRESENT BETWEEN CAVITY 1 AND 2 AND BETWEEN LAST AND LAST CAVITY BUT ONE, EXCEPT WHERE SHOWN BY NOTE 11
- 8 PACKAGING ON CARTON BOX AS PER AMP SPEC. 107-20213
- 9 DUE TO MOISTURING ABSORPTION AFTER THE SEALED BAG PACKAGING REMOVAL, TOLERANCE FOR DIM "L" CAN BE +0.05 / -0.5 mm FOR ALL THE PART NUMBERS FROM 6 TO 12 POSITION
- 10 CONTACT POSITION IN HOUSING
- 11 COLOUR: SEE TABLE FOR P/Ns IDENTIFICATION BEFORE CRIMPING OPERATION, ONLY. DEFINITIVE COLOR MARKING TO BE MADE BY APPLICATION MACHINE.
- 12 STRIP-CLIPS TO BE CUT-OFF BY APPLICATION MACHINE
- 13 CONNECTOR SUITABLE FOR PRINTED CIRCUIT BOARD (PCB) THK. 1.5±0.14
- 14 FOR INTERNAL POLARIZATION RIBS DETAIL AND POSITION CHECK ALSO THE PCB LAYOUT ON PREVIOUS SHEETS
- 15 INDIVIDUAL CUT-OFF TO BE MADE BY APPLICATION MACHINE
- 16 CONNECTOR SUITABLE FOR SINGE AND DOUBLE WIRE APPLICATION (SEE PRODUCT SPEC. 108-20214 AND APPLICATION SPEC. 114-20104 & 114-20111)
- 17 OBSOLETE PARTS: OBSOLETE CIS STREAMLINING PER D.RENAUD/D.SINISI

SUGGESTED LAYOUT FOR CONNECTOR STACKED SIDE BY SIDE
 EXAMPLE OF LAYOUT FOR 2 POS. PN #-284482-4 (LEFT) AND N #-284482-5 (RIGHT).)



DIMENSIONS: mm 		TOLERANCES UNLESS OTHERWISE SPECIFIED: 0 PLC ± 1 PLC ± 2 PLC ± 3 PLC ± 4 PLC ± ANGLES ± MATERIAL - FINISH -		DWN G. COBOLA DEC. 2002 CHK G. TURCO DEC. 2002 APVD - PRODUCT SPEC - APPLICATION SPEC - WEIGHT - CUSTOMER DRAWING	Tyco Electronics Tyco Electronics AMP Italia S.r.l. C.so F.lli Cervi 15 Collegno (TO) NAME MONO SHAPE MARK II 2-12 POS. PCB CONNECTORS SIZE CAGE CODE DRAWING NO RESTRICTED TO A1 00779 C=284482 - SCALE NO SHEET 6 OF 6 REV EI
-----------------------	--	--	--	---	---