



Chipsmall Limited consists of a professional team with an average of over 10 year of expertise in the distribution of electronic components. Based in Hongkong, we have already established firm and mutual-benefit business relationships with customers from,Europe,America and south Asia,supplying obsolete and hard-to-find components to meet their specific needs.

With the principle of "Quality Parts,Customers Priority,Honest Operation,and Considerate Service",our business mainly focus on the distribution of electronic components. Line cards we deal with include Microchip,ALPS,ROHM,Xilinx,Pulse,ON,Everlight and Freescale. Main products comprise IC,Modules,Potentiometer,IC Socket,Relay,Connector.Our parts cover such applications as commercial,industrial, and automotives areas.

We are looking forward to setting up business relationship with you and hope to provide you with the best service and solution. Let us make a better world for our industry!



Contact us

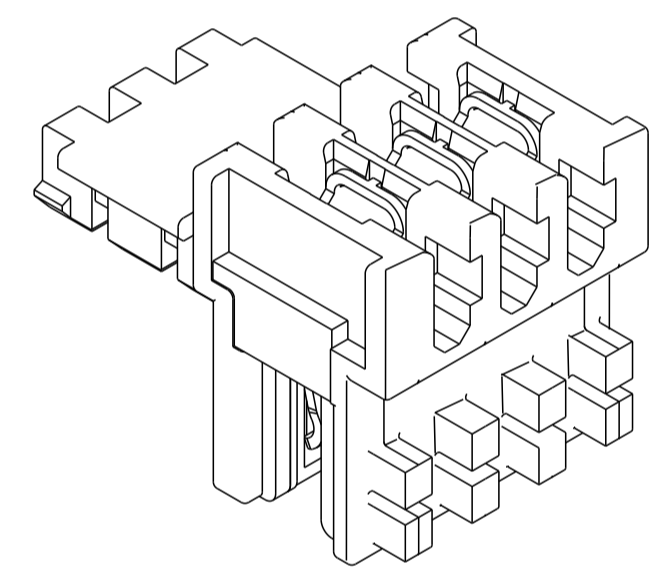
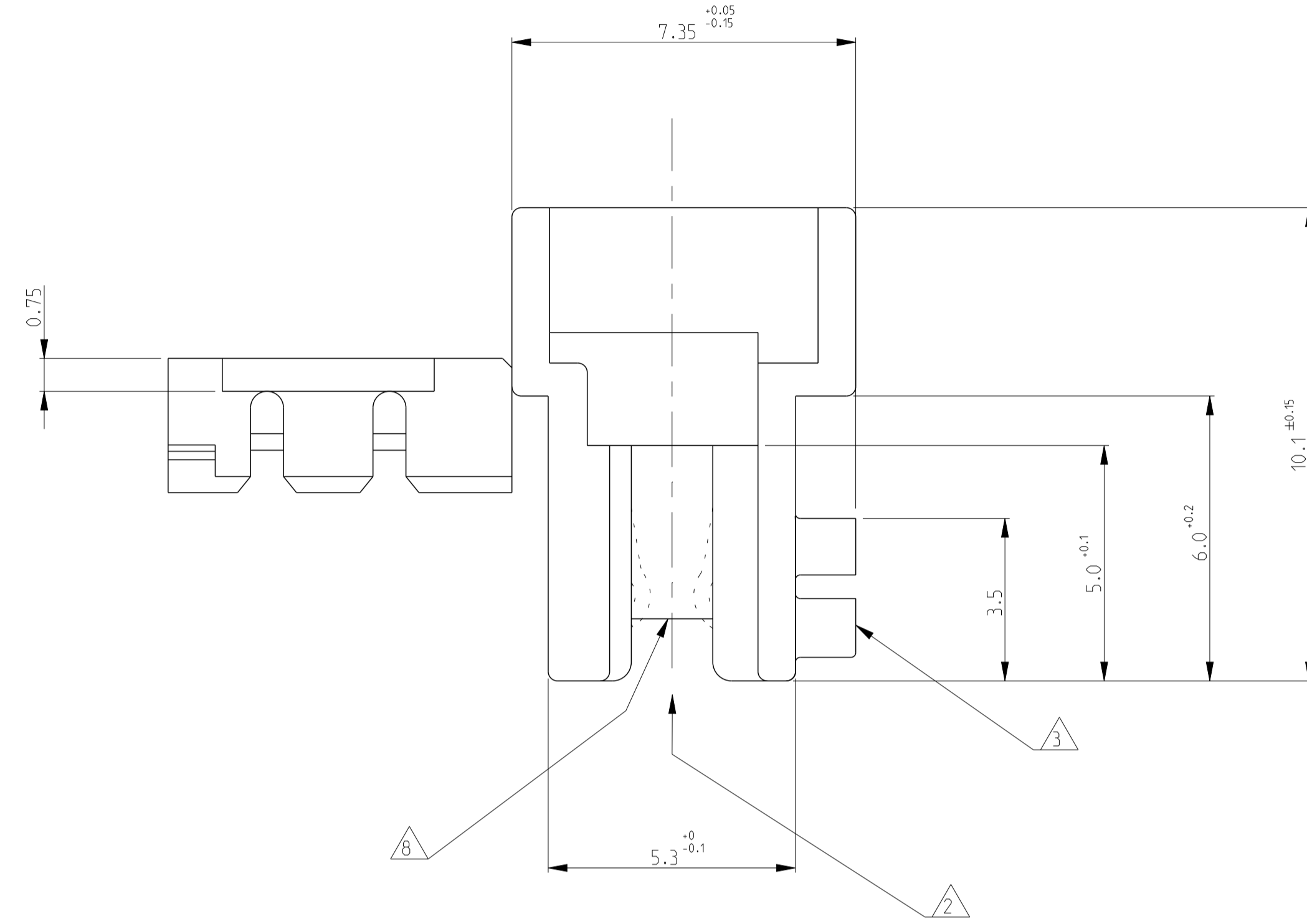
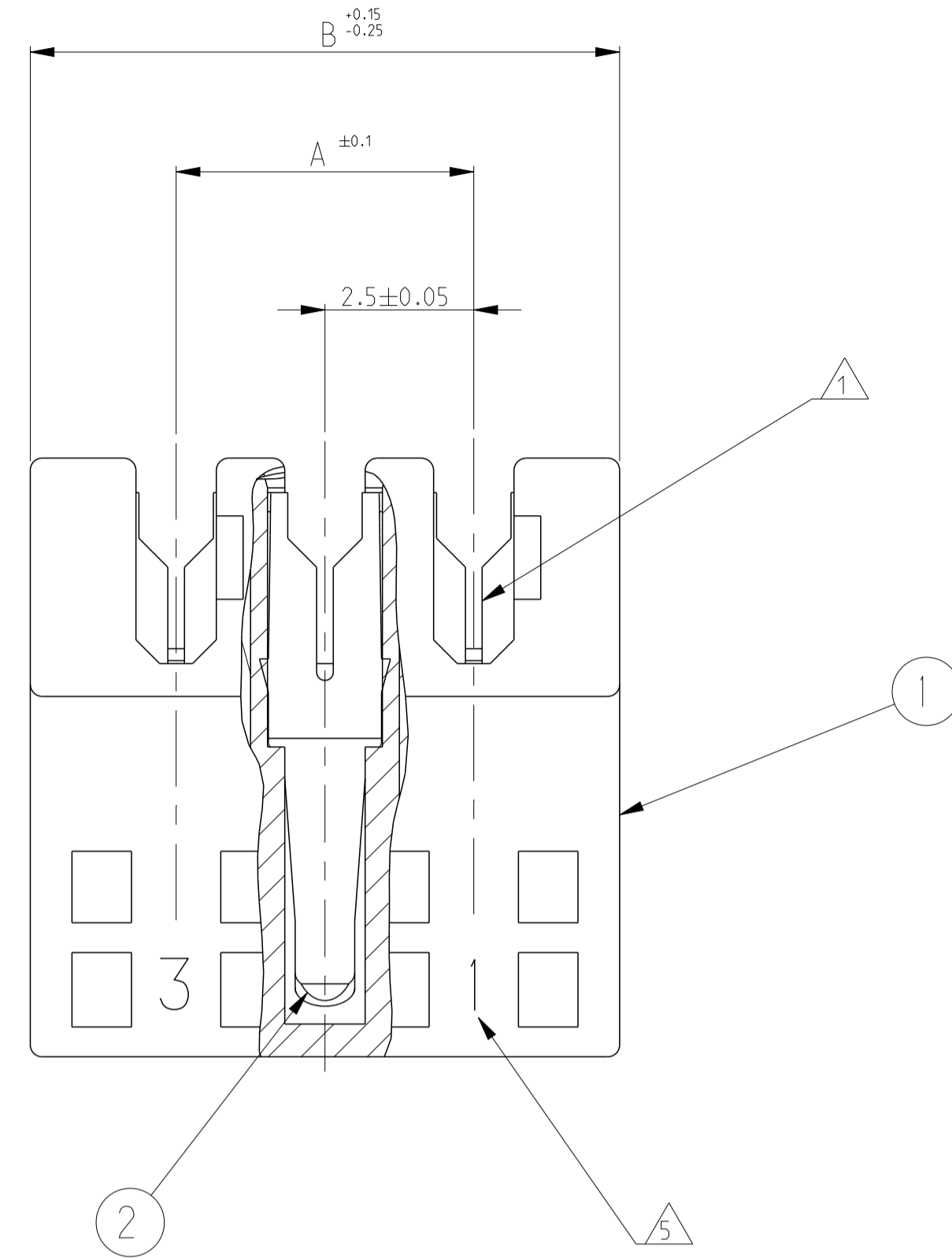
Tel: +86-755-8981 8866 Fax: +86-755-8427 6832

Email & Skype: info@chipsmall.com Web: www.chipsmall.com

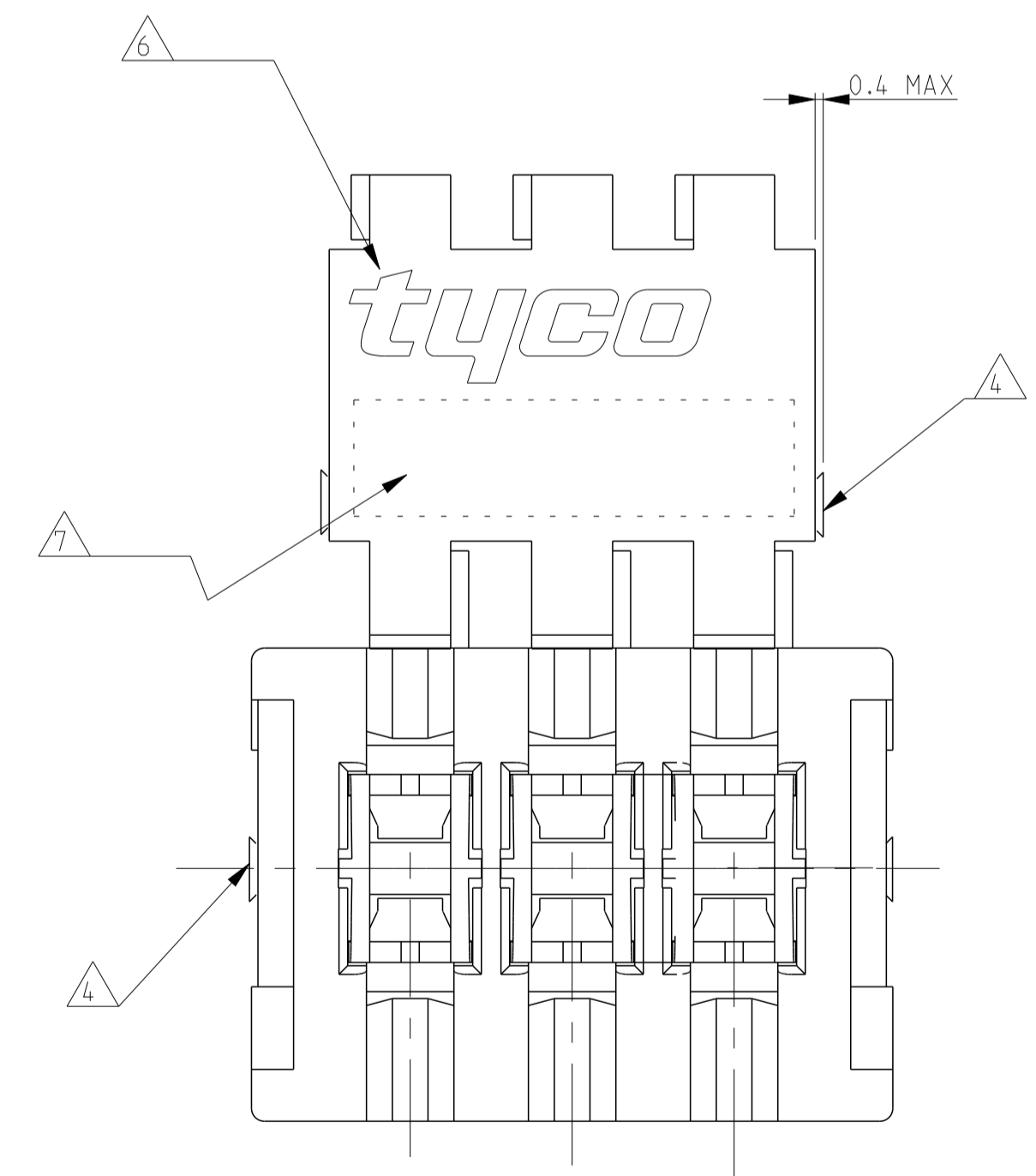
Address: A1208, Overseas Decoration Building, #122 Zhenhua RD., Futian, Shenzhen, China



REVISONS		DATE	DMN	APVD
A15	REVISED PER ECR-15-012073	13AUG2015	NK	W W
A17	ECR-16-016334	17NOV2016	FV	RR

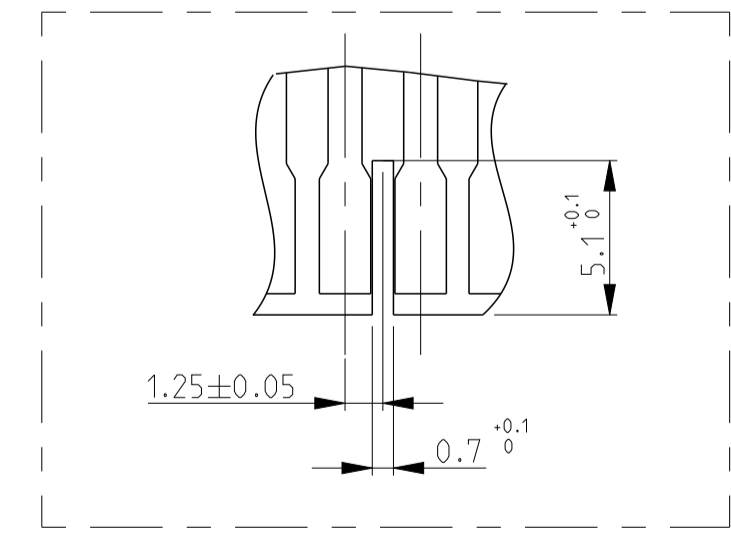


SCALE 5:1



- △10 X - CAVITY LOADED WITH CONTACT
O - CAVITY WITHOUT CONTACT
- △11 PBT GF
- △12 PBT GF, GWPEPT 750 NO-FLAME, NATURAL

- △1 WIRE RANGE : STRANDED 0.22-0.35 mm² (INS. DIA. 1.30±0.1)
- △2 MATING PART: TAB HEADER P/N 829866;
PCB FRAME P/N 964575 (PCB THK 1.5±0.14 COPPER CLADDING INCLUDED)
SEE PRODUCT SPEC. 108-18056 FOR FRAME APPLICATION
- △3 KEYING RIBS TO BE REMOVED BY TERMINATION MACHINE
- △4 CUT OFF DIMENSION DUE TO PRODUCTION PROCESS
- △5 CIRCUIT No. IDENTIFICATION
- △6 TE TRADEMARK (OPTIONAL POSITION)
- △7 TAMPOGRAPHIC COLOUR CODE AREA
(P/Ns IDENTIFICATION BEFORE CRIMPING)
- △8 POLARIZATION RIB BETWEEN CAVITIES.
(SEE BELOW TYPICAL POLARIZATION CUTOFF ON PCB)



- △9 PRELIMINARY PART NOT RELEASED FOR PRODUCTION.

P/N 0-284932-3 AS SHOWN

COLOUR CODE	11	10	9	8	7	6	5	4	3	2	1	POLARIZ. RIB	HSG POS	DIM.A	DIM.B	TE P/N	TE P/N
BLACK												2/3	13	30.0	34.9	4-284932-3	1-2311501-3 (A1)
GREEN				X	X	0	X	0	X			4/5	6	12.5	17.4	3-284932-6	2311505-6
BLUE				FULLY LOADED												1-284932-6	4-2311500-6
BLACK				FULLY LOADED								9/10	11	25.0	29.9	1-284932-1	1-2311501-1
BLACK				FULLY LOADED								7/8	10	22.5	27.4	1-284932-0	2-2311500-0
BLACK				FULLY LOADED								2/3	9	20.0	24.9	0-284932-9	2311500-9
BROWN				FULLY LOADED								2/3	8	17.5	22.4	2-284932-8	3-2311500-8
BLACK				FULLY LOADED								1/2 and 7/8	8	17.5	22.4	0-284932-8	2-2311500-8
RED				FULLY LOADED								2/3	7	15.0	19.9	0-284932-7	1-2311500-8
BLACK				FULLY LOADED								1/2	6	12.5	17.4	2-284932-6	3-2311500-6
RED				FULLY LOADED								2/3	6	12.5	17.4	0-284932-6	2-2311500-6
RED				FULLY LOADED								4/5	5	10.0	14.9	3-284932-5	5-2311500-5
GREEN				FULLY LOADED								3/4	5	10.0	14.9	2-284932-5	4-2311500-5
BROWN				FULLY LOADED								2/3	5	10.0	14.9	4-284932-5	3-2311500-5
BLACK				FULLY LOADED								2/3	5	10.0	14.9	0-284932-5	2-2311500-5
BLACK				FULLY LOADED								3/4	4	7.5	12.4	2-284932-4	4-2311500-4
BROWN				FULLY LOADED								1/2	4	7.5	12.4	0-284932-4	3-2311500-4
RED				FULLY LOADED								2/3	3	5.0	9.9	3-284932-3	6-2311500-3
GREEN				FULLY LOADED								2/3	3	5.0	9.9	2-284932-3	5-2311500-3
BLACK				FULLY LOADED								1/2	3	5.0	9.9	0-284932-3	4-2311500-3

-		-		-		-		THIS DRAWING IS A CONTROLLED DOCUMENT.		DMN R. FABRIS 27/FEB2004		APVD E. TURCO 27/FEB2004		NAME		DUOPLUG 2.5 FEMALE CONNECTOR STANDARD VERSION, KEYED (FULLY LOADED)	
SEE TABLE	PH. BRONZE, TIN PLATED	IDC RECEPTACLE CONTACT	2	DIMENSIONS: mm	TOLERANCES UNLESS OTHERWISE SPECIFIED:	0 PLC ±0.2	1 PLC ±0.2	2 PLC ±0.2	3 PLC ±0.2	4 PLC ±0.2	ANGLES ±°	FINISH	116-18049-1	WEIGHT	100779	SCALE	10:1
Q.TY	MATERIAL	DESCRIPTION	ITEM	MATERIAL SEE TABLE		CUSTOMER DRAWING		SCALE		SHEET 1 OF 1		REV A17					
1	REVISIONE DELL'ASSEMBLATO (REVISION OF EACH ASSY NO)		ELENCO DEI COMPONENTI (PARTS LIST)		SCALE		SHEET 1 OF 1		REV A17								