



Chipsmall Limited consists of a professional team with an average of over 10 year of expertise in the distribution of electronic components. Based in Hongkong, we have already established firm and mutual-benefit business relationships with customers from,Europe,America and south Asia,supplying obsolete and hard-to-find components to meet their specific needs.

With the principle of “Quality Parts,Customers Priority,Honest Operation,and Considerate Service”,our business mainly focus on the distribution of electronic components. Line cards we deal with include Microchip,ALPS,ROHM,Xilinx,Pulse,ON,Everlight and Freescale. Main products comprise IC,Modules,Potentiometer,IC Socket,Relay,Connector.Our parts cover such applications as commercial,industrial, and automotives areas.

We are looking forward to setting up business relationship with you and hope to provide you with the best service and solution. Let us make a better world for our industry!



Contact us

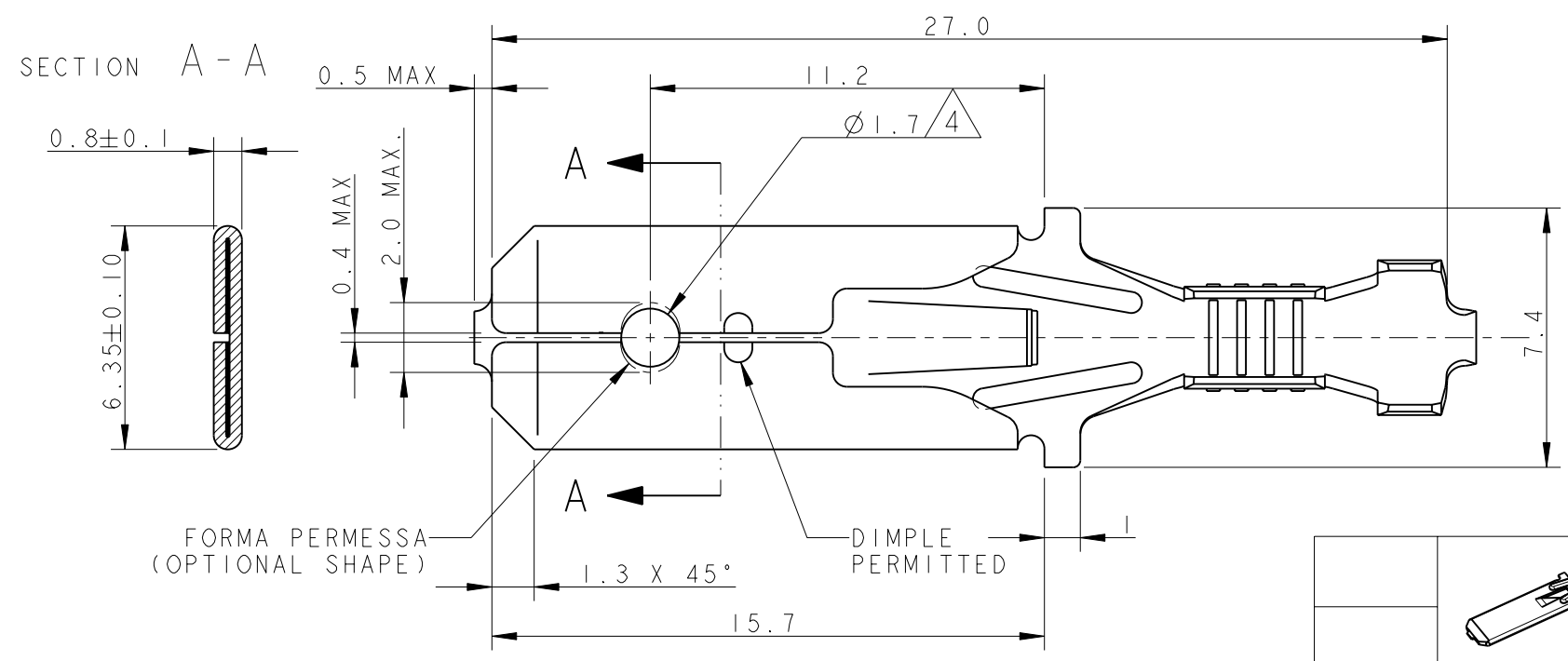
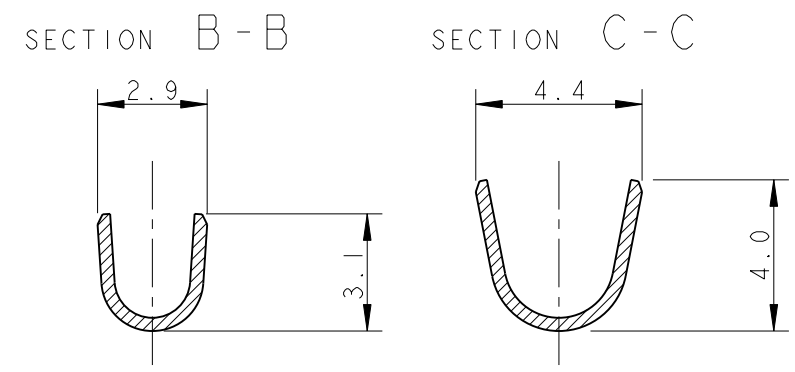
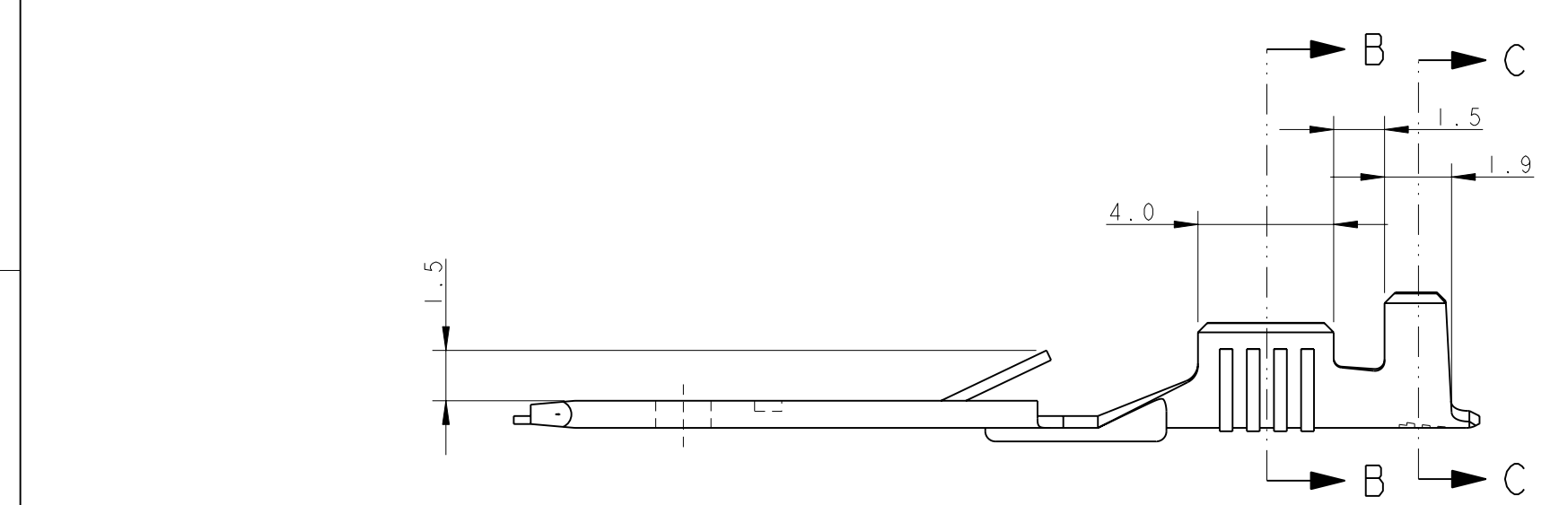
Tel: +86-755-8981 8866 Fax: +86-755-8427 6832

Email & Skype: info@chipsmall.com Web: www.chipsmall.com

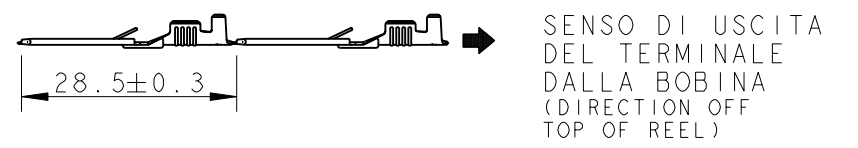
Address: A1208, Overseas Decoration Building, #122 Zhenhua RD., Futian, Shenzhen, China



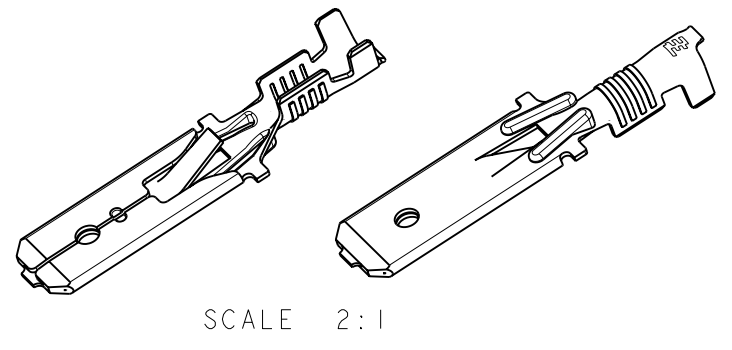
LOC	DIST	REVISIONS				
P	LTR	DESCRIPTION	DATE	DWN	APVD	
1	-	B3	REVISED PER ECO-11-005301	28MAR2011	RK	HMR



- 1) STATO DI FORNITURA (SCALE 1:1)
(SUPPLY CONDITION, Scala 1:1)
- 2) BOBINATO SU BOBINA 12" CON
CARTA INTERPOSTA
(REELED ON 12" CARTON TYPE REEL WITH
INTERLEAVE PAPER STRIP)
- 3) SPLICING STRIP PRODUCT BY SPOT WELDING PERMITTED
- 4) VERSIONI CON FORO (VERSION WITH HOLE)



NOTE (NOTES)	VERSIONI (VERSIONS)	FINITURA (FINISH)	MATERIALE (MATERIAL)	NUMERO (TE P/N)	REV.
		PRE-STAGNATO (PRE-TINNED)	OTTONE (BRASS)	1-293041-2	B
		NUDO (PLAIN)	OTTONE (BRASS)	1-293041-1	B
		PRE-STAGNATO (PRE-TINNED)	OTTONE (BRASS)	0-293041-2	B
		NUDO (PLAIN)	OTTONE (BRASS)	0-293041-1	B



DIAM. ISOLANTE (INS. DIA. RANGE)
 Ø 2.3 mm MAX
 RANGO FILO (WIRE RANGE)
 0.35-1.00 mm²

THIS DRAWING IS A CONTROLLED DOCUMENT.

DWN 04 JUL 2005
 H. Yaali
 CHK -
 G. Turco
 APVD -

DIMENSIONS: mm

TOLERANCES UNLESS OTHERWISE SPECIFIED:
 0 PLC ±-
 1 PLC ±0.3
 2 PLC ±-
 3 PLC ±-
 4 PLC ±-
 ANGLES ±2°

MATERIAL SEE TABLE FINISH SEE TABLE

PRODUCT SPEC 108-20020
 APPLICATION SPEC 114-20119
 WEIGHT -

STE TE Connectivity

NAME FASTIN-FASTON* Connector, 6.3 mm SR. TAB CONTACT

SIZE A3 CAGE CODE 00779 DRAWING NO C-293041 RESTRICTED TO -

CUSTOMER DRAWING SCALE 5:1 SHEET 1 OF 1 REV B3