



Chipsmall Limited consists of a professional team with an average of over 10 year of expertise in the distribution of electronic components. Based in Hongkong, we have already established firm and mutual-benefit business relationships with customers from,Europe,America and south Asia,supplying obsolete and hard-to-find components to meet their specific needs.

With the principle of “Quality Parts,Customers Priority,Honest Operation,and Considerate Service”,our business mainly focus on the distribution of electronic components. Line cards we deal with include Microchip,ALPS,ROHM,Xilinx,Pulse,ON,Everlight and Freescale. Main products comprise IC,Modules,Potentiometer,IC Socket,Relay,Connector.Our parts cover such applications as commercial,industrial, and automotives areas.

We are looking forward to setting up business relationship with you and hope to provide you with the best service and solution. Let us make a better world for our industry!



Contact us

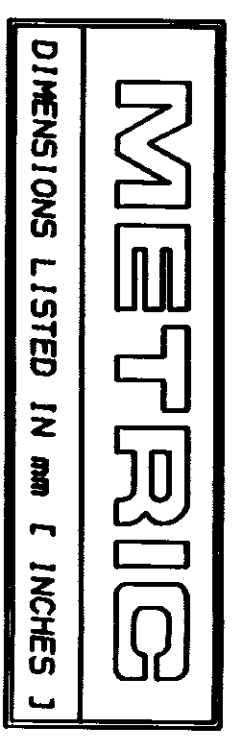
Tel: +86-755-8981 8866 Fax: +86-755-8427 6832

Email & Skype: info@chipsmall.com Web: www.chipsmall.com

Address: A1208, Overseas Decoration Building, #122 Zhenhua RD., Futian, Shenzhen, China

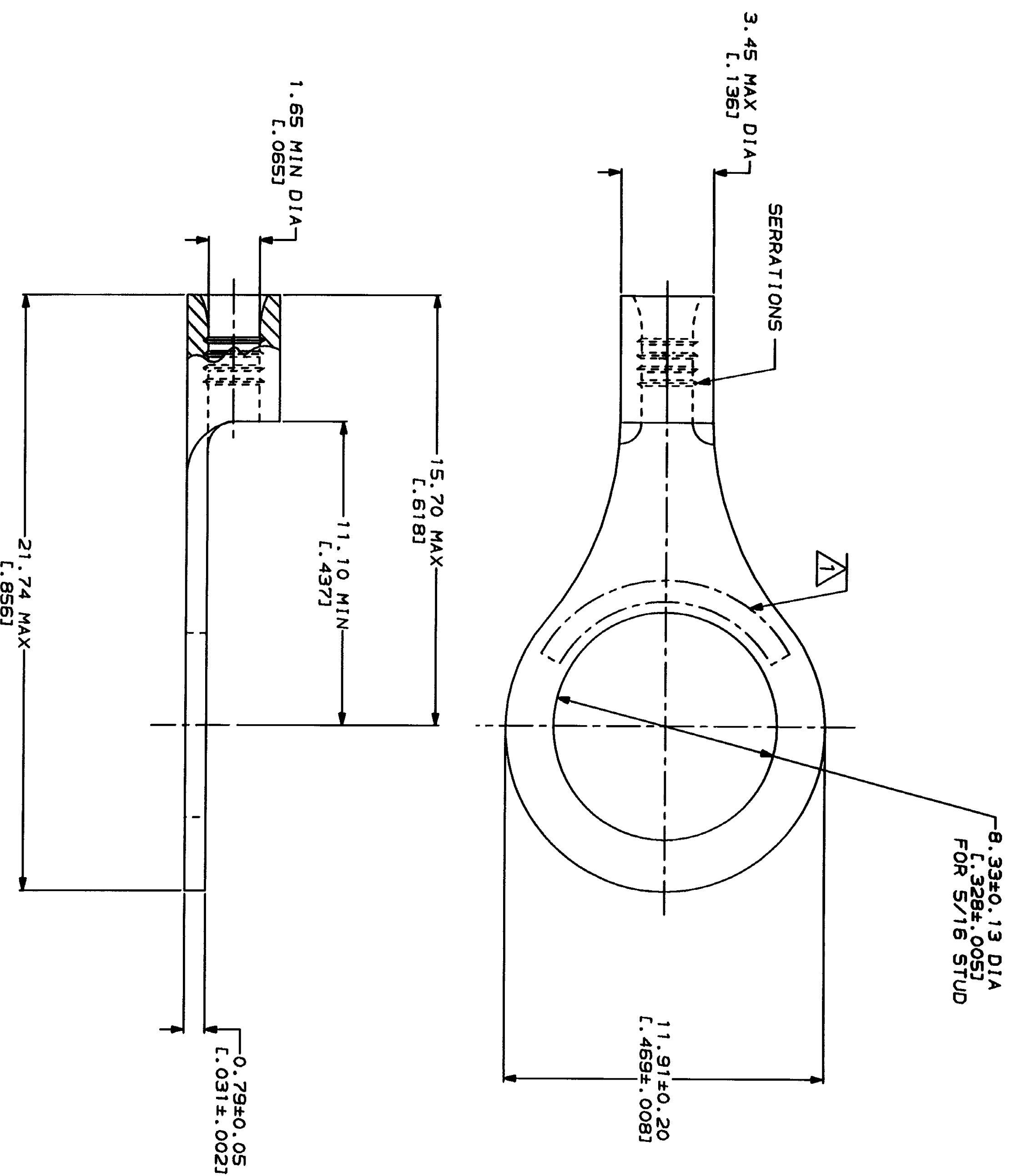


LOC	DATE	BY	DESCRIPTION	DATE	APPD
G	14	P	REVISED PER 0720-0230-93	2/25/93	DA



WIRE RANGE	22-16 AWG STRANDED	E13288 Listed
WIRE RANGE	22-16 AWG STRANDED	MILITARY P/N AND CLASS
NOT CERTIFIED	NOT APPLICABLE	

△ STAMP AMP 22-18* APPROX AS SHOWN
 22-16 TERMINALS ARE STAMPED 22-18 IN
 ACCORDANCE WITH MILITARY SPECIFICATION
 MIL-T-7928, COMMERCIAL WIRE RANGE IS 22-16



AMP INCORPORATED
CUSTOMER SERVICE SYSTEMS

FOR ADDITIONAL PRODUCT INFORMATION OR COPIES OF DRAWINGS AND TECHNICAL DOCUMENTS
 PRODUCT INFORMATION CENTER
 1-800-522-6752

FOR APPLICATION TOOLING INFORMATION
 TOOLING ASSISTANCE CENTER
 1-800-722-1111

FOR ORDER ENTRY
 1-800-526-5142

MAX RECOMMENDED OPERATING TEMPERATURE: 170°C MAX

VOLTAGE RATING: NOT APPLICABLE

WIRE CROSS SECTIONAL AREA RANGE: 0.26-1.65mm² (S09-3,260) CIR MILS STRANDED

FINISH: TIN PLATE
 0.00254L (0.00100) MIN THK PER MIL-T-10727

DO NOT SCALE PRINT. UNLESS SPECIFIED DIMENSIONS IN INCHES— TOLERANCES ON: 2 PLC DEC # - - 3 PLC DEC # - - ANGLES # - - MATERIAL: COPPER PER ASTM B-152 ANNEALED

DR 2-3-93 TA BRIKMAN
 CHK 2-3-93 DA PATTERSON
 APPD 2-3-93 DE MILLER
 APPD 2-3-93 JL HECKLEY
 PRODUCT SPEC

DR 2-3-93 TA BRIKMAN	5000	ON TAPE	3-31173-3
CHK 2-3-93 DA PATTERSON	---	LOOSE PIECE	31173
APPD 2-3-93 DE MILLER		PACKAGE TYPE	PART NO
APPD 2-3-93 JL HECKLEY		NAME	AMP Incorporated Harrisburg, PA 17105-3608
PRODUCT SPEC		TERMINAL, RING TONGUE, BUDGET	
APPLICATION SPEC		SIZE	CAGE CODE
WEIGHT		SCALE	DRAWING NO
		8:1	00779
			31173
			31173