



Chipsmall Limited consists of a professional team with an average of over 10 year of expertise in the distribution of electronic components. Based in Hongkong, we have already established firm and mutual-benefit business relationships with customers from,Europe,America and south Asia,supplying obsolete and hard-to-find components to meet their specific needs.

With the principle of "Quality Parts,Customers Priority,Honest Operation,and Considerate Service",our business mainly focus on the distribution of electronic components. Line cards we deal with include Microchip,ALPS,ROHM,Xilinx,Pulse,ON,Everlight and Freescale. Main products comprise IC,Modules,Potentiometer,IC Socket,Relay,Connector.Our parts cover such applications as commercial,industrial, and automotives areas.

We are looking forward to setting up business relationship with you and hope to provide you with the best service and solution. Let us make a better world for our industry!



Contact us

Tel: +86-755-8981 8866 Fax: +86-755-8427 6832

Email & Skype: info@chipsmall.com Web: www.chipsmall.com

Address: A1208, Overseas Decoration Building, #122 Zhenhua RD., Futian, Shenzhen, China



4

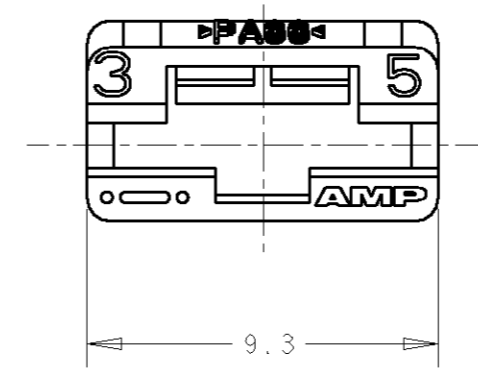
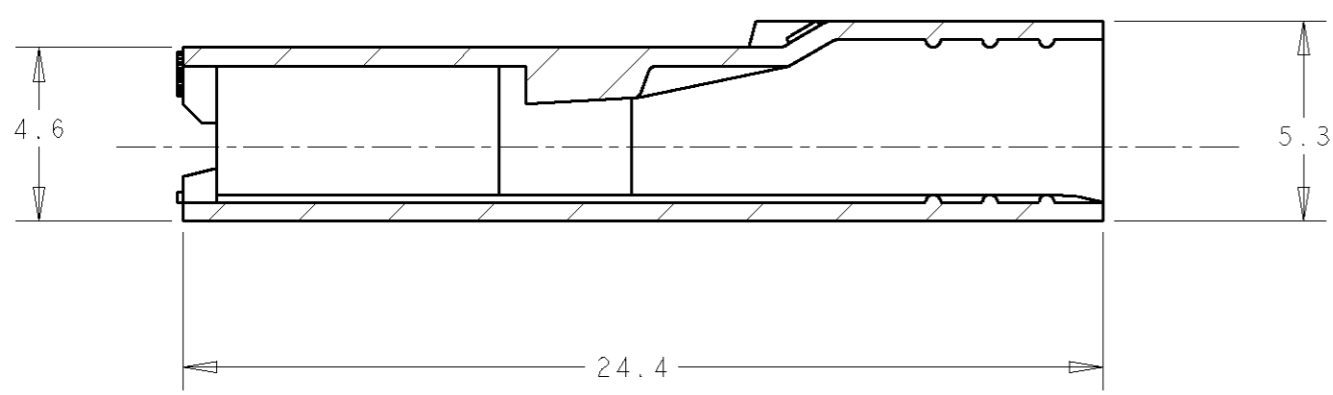
3

2

1

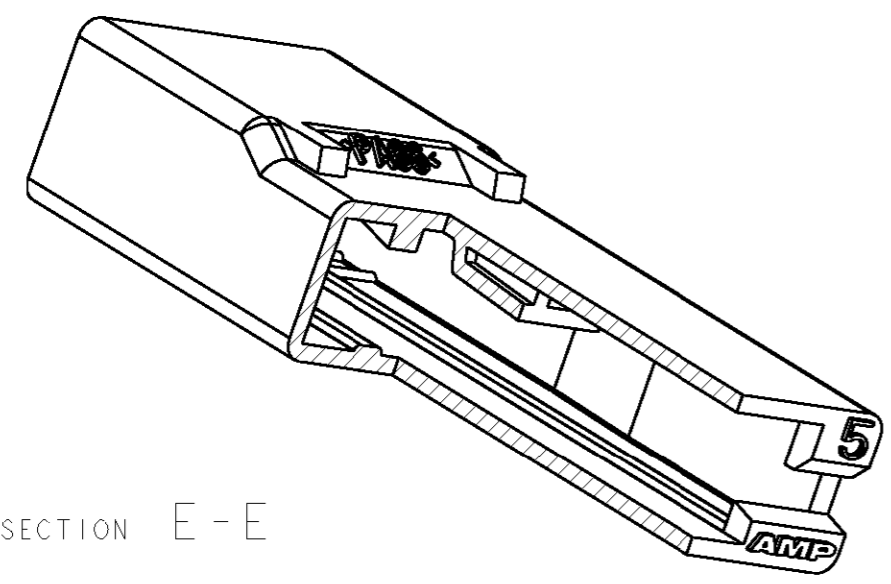
THIS DRAWING IS UNPUBLISHED. PLANO NO PUBLICADO
 RELEASED FOR PUBLICATION LIBRE DE SER PUBLICADO .19
 BY AMP INCORPORATED. ALL RIGHTS RESERVED. TODOS LOS DERECHOS RESERVADOS. LOS PRODUCTOS AMP ESTAN CUBIERTOS POR PATENTES ACTUALES O PENDIENTES

LOC	DIST	REVISIONS			
P	LTR	DESCRIPTION	DATE	DWN	APVD
		DESCRIPCION	FECHA	DIB	APR
	A	336369 ERA 98-ES00-11	7JUL1098	JL	AA
	B	REVISED PER ES00-0081-00	31JUN00	JL	LB
	C	REVISED PER ES00-0014-04	2FEB2004	J.L	L.B
	C1	REVISED PER ECO-10-000445	15JAN10	KK	HMR



SECTION A - A

1 OBSOLETE PARTS: OBSOLETE CIS STREAMLINING PER D.RENAUD/D.SINISI



SECTION E - E

	NEGRO/BLACK	NYLON 6/6 V0	3-336369-5
	NATURAL	NYLON 6/6 V0	3-336369-1
1 OBSOLETE	VIOLETA/VIOLET	NYLON 6/6 V2	336369-8
	NEGRO/BLACK	NYLON 6/6 V2	336369-5
1 OBSOLETE	AZUL/BLUE	NYLON 6/6 V2	336369-3
	NATURAL	NYLON 6/6 V2	336369-1
	COLOR	MATERIAL	REFER.

THIS DRAWING IS A CONTROLLED DOCUMENT FOR AMP INCORPORATED. IT IS SUBJECT TO CHANGE AND THE CONTROLLING ENGINEERING ORGANIZATION SHOULD BE CONTACTED FOR THE LATEST REVISION. ESTE PLANO ES UN DOCUMENTO CONTROLADO DE AMP INCORPORATED Y PUEDE SER MODIFICADO. PARA LA ULTIMA REVISION, CONTACTAR CON LA ORGANIZACION DE CONTROL DE INGENIERIA.		DWN /DIB J.LAZARO /JUL98		AMP AMP ESPAÑOLA, S.A. BARCELONA. SPAIN.	
DIMENSIONS: DIMENSIONES mm		TOLERANCES UNLESS OTHERWISE SPECIFIED: TOLERANCIAS POR OMISION		NAME TITLE	
		0 PLC /LUG ± - 1 PLC /LUG ± 0.3 2 PLC /LUG ± -- 3 PLC /LUG ± -- 4 PLC /LUG ± -- ANGLES /ANGULOS ± 0°30'		PRODUCT SPEC ESPEC PRODUCTO 108-22033	
MATERIAL VER TABLA SEE TABLE		FINISH ACABADO VER TABLA SEE TABLE		APPLICATION SPEC ESPEC APLICACION -	
		WEIGHT PESO -		SIZE TAM A3	
		CUSTOMER DRAWING /PLANO DE CLIENTE		CAGE CODE CODIGO 00779	
		DRAWING NO PLANO NO C-336369		RESTRICTED TO RESTRINGIDO A -	
		SCALE ESCALA 5:1		SHEET HOJA OF DE C1	