



Chipsmall Limited consists of a professional team with an average of over 10 year of expertise in the distribution of electronic components. Based in Hongkong, we have already established firm and mutual-benefit business relationships with customers from,Europe,America and south Asia,supplying obsolete and hard-to-find components to meet their specific needs.

With the principle of “Quality Parts,Customers Priority,Honest Operation,and Considerate Service”,our business mainly focus on the distribution of electronic components. Line cards we deal with include Microchip,ALPS,ROHM,Xilinx,Pulse,ON,Everlight and Freescale. Main products comprise IC,Modules,Potentiometer,IC Socket,Relay,Connector.Our parts cover such applications as commercial,industrial, and automotives areas.

We are looking forward to setting up business relationship with you and hope to provide you with the best service and solution. Let us make a better world for our industry!



## Contact us

Tel: +86-755-8981 8866 Fax: +86-755-8427 6832

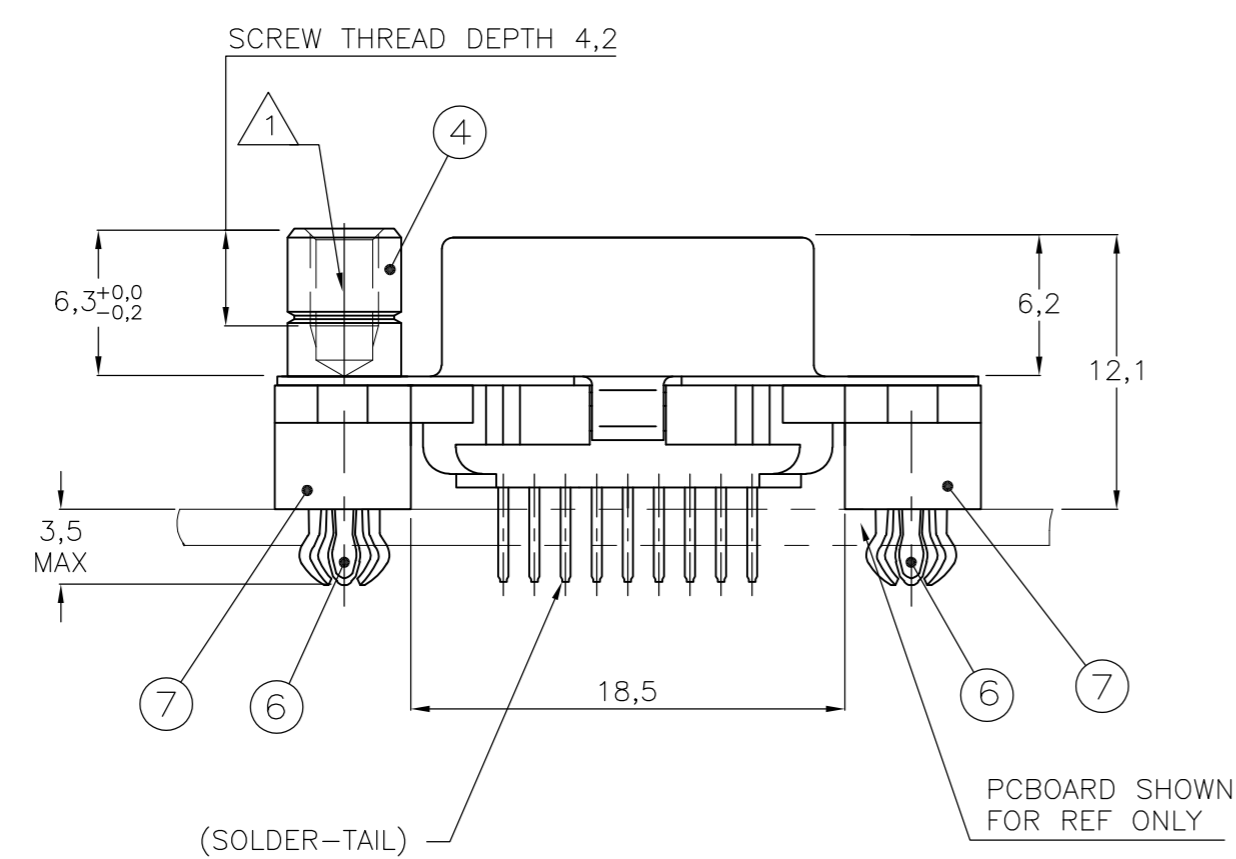
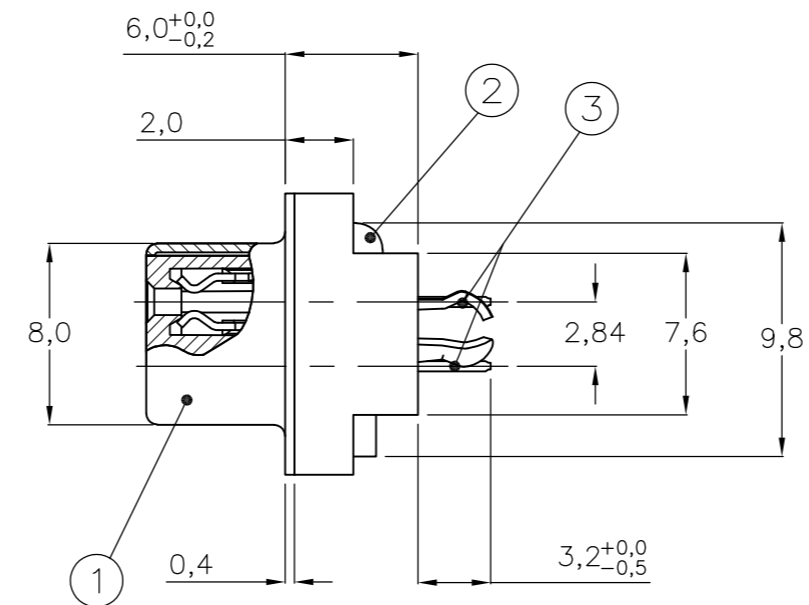
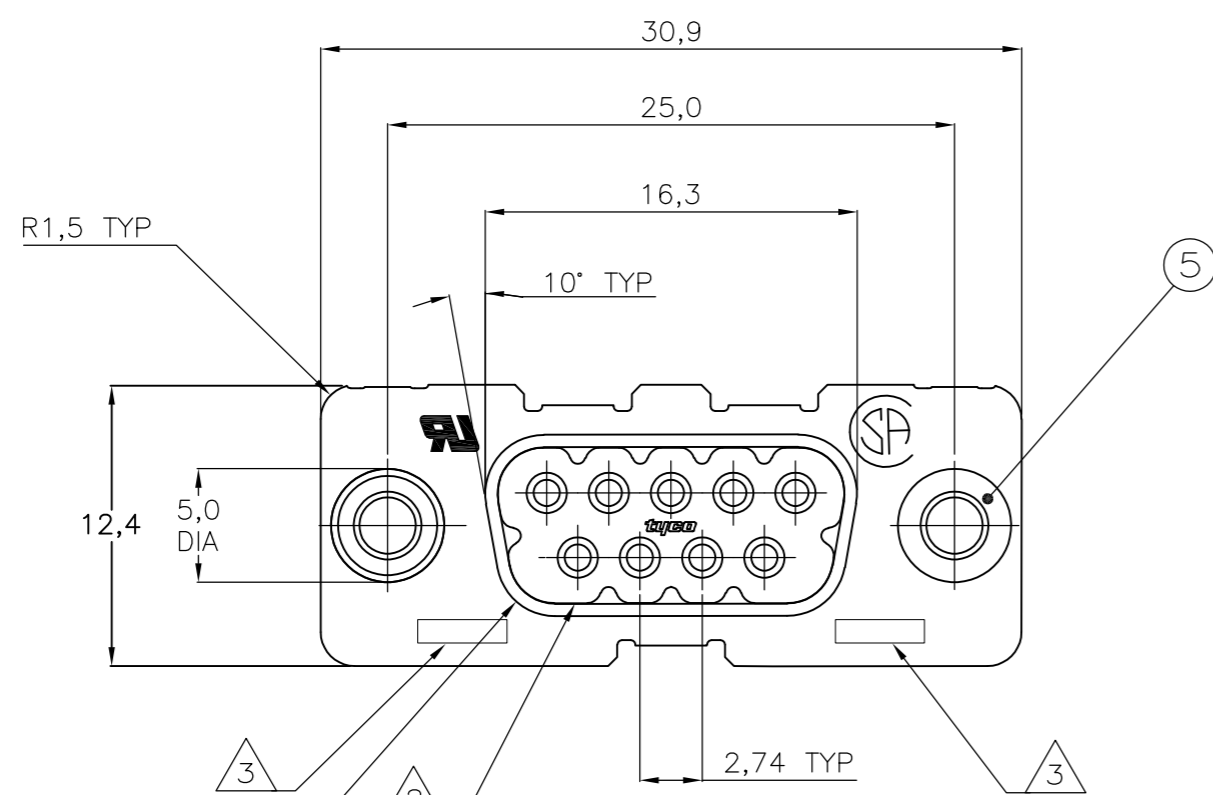
Email & Skype: info@chipsmall.com Web: www.chipsmall.com

Address: A1208, Overseas Decoration Building, #122 Zhenhua RD., Futian, Shenzhen, China



THIS DRAWING IS UNPUBLISHED. RELEASED FOR PUBLICATION  
 © COPYRIGHT - By - ALL RIGHTS RESERVED.

Loc	DIST	REVISIONS					
GP	00	P	LTR	DESCRIPTION	DATE	DWN	APVD
		G		REVISED PER ECO-13-005685	11APR2013	CJV	SLB



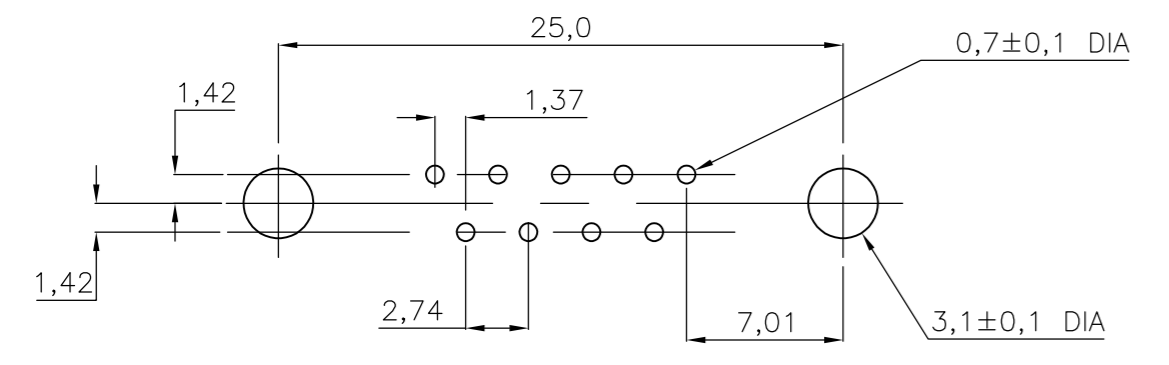
ITEM NO	DESCRIPTION OF ACCESSORY	1	2	3	4	5	6	7	8	9
5	BUSHING WITH THROUGH-HOLE 3,1 DIA					2				
5	BUSHING WITH THREAD 4-40 UNC		2					2		
5	BUSHING WITH THREAD M3			2					2	
4	FEMALE SCREWLOCK WITH THREAD 4-40 UNC			2						2
4	FEMALE SCREWLOCK WITH THREAD M3				2					2
6	BOARDLOCK	2	2	2	2					
1-338313-2										
2-338313-2										
3-338313-2										
4-338313-2										
5-338313-2										
6-338313-2										
7-338313-2										
8-338313-2										
9-338313-2										

- ① GROOVE INDICATES VERSION WITH 4-40 UNC INNER THREAD; WITHOUT GROOVE INDICATES VERSION WITH M3 INNER THREAD.
- ② CAVITY IDENTIFICATION AT FRONT SIDE ONLY.
- ③ PART NUMBER AND DATE CODE.
- 4. WHEN BOARDLOCKS ARE USED, CONNECTOR CAN BE USED FOR PCB THICKNESS OF 1,6 ONLY.
- 5. AIR AND CREEPAGE DISTANCES ACCORDING TO DIN 41652.
- 6. CONTACT FINISH: GOLD FLASH OVER PALLADIUM-NICKEL PLATE, OR GOLD PLATE ON THE MATING SURFACES, TIN PLATE ON THE SOLDER-TAILS, NICKEL UNDERPLATE ON THE ENTIRE CONTACT. MATING SURFACE FINISH MEETS PERFORMANCE LEVEL 2 PER DIN 41652.

ITEM NO/MATERIAL :

- ① SHELL = BRIGHT TIN PLATED STEEL
- ② HOUSING = GLASS FILLED POLYESTER, COLOR : BLACK
- ③ CONTACTS = PHOSPHOR BRONZE (PLATING : SEE TABLE ABOVE)
- ④ FEMALE SCREWLOCK = TIN PLATED STEEL (INNER THREAD 4-40 UNC OR M3)
- ⑤ BUSHING = TIN PLATED STEEL (INNER THREAD 4-40 UNC OR M3 OR 3,1 DIA THROUGH-HOLE)
- ⑥ BOARDLOCK = TIN PLATED PHOSPHOR BRONZE
- ⑦ STAND OFF = GLASS FILLED NYLON, UL94V-0 RATED COLOR : BLACK

RECOMMENDED PC BOARD HOLE-LAYOUT



THIS DRAWING IS A CONTROLLED DOCUMENT. DIMENSIONING AND TOLERANCING PER ASME Y14.5M-2009		DWN J.V.LIEMPT 01JUL97	TE Connectivity	
DIMENSIONS: mm		CHK C.SOUISA 09SEP97		
TOLERANCES UNLESS OTHERWISE SPECIFIED:		APVD E.LEIJTENS 09SEP97	NAME	
0 PLC ± -	1 PLC ± -	PRODUCT SPEC	HD-20 SIZE 1	
2 PLC ± -	3 PLC ± -	APPLICATION SPEC	VERTICAL+ RECEPTACLE HEADER; WITH SOLDER CONTACTS	
4 PLC ± -	ANGLES ± -	WEIGHT -	SIZE A2	RESTRICTED TO -
MATERIAL -	FINISH -	CUSTOMER DRAWING	CAGE CODE 00779	DRAWING NO C=338313
SCALE NTS			SHEET 1 OF 1	REV G