



Chipsmall Limited consists of a professional team with an average of over 10 year of expertise in the distribution of electronic components. Based in Hongkong, we have already established firm and mutual-benefit business relationships with customers from,Europe,America and south Asia,supplying obsolete and hard-to-find components to meet their specific needs.

With the principle of “Quality Parts,Customers Priority,Honest Operation,and Considerate Service”,our business mainly focus on the distribution of electronic components. Line cards we deal with include Microchip,ALPS,ROHM,Xilinx,Pulse,ON,Everlight and Freescale. Main products comprise IC,Modules,Potentiometer,IC Socket,Relay,Connector.Our parts cover such applications as commercial,industrial, and automotives areas.

We are looking forward to setting up business relationship with you and hope to provide you with the best service and solution. Let us make a better world for our industry!



Contact us

Tel: +86-755-8981 8866 Fax: +86-755-8427 6832

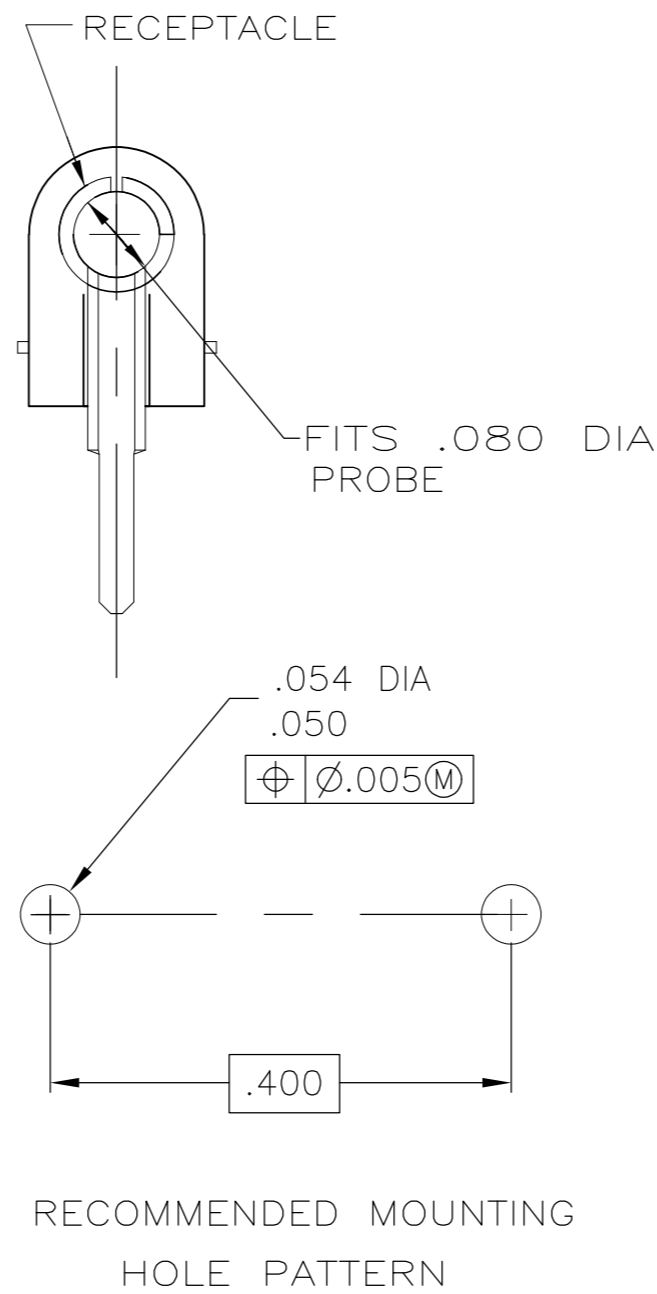
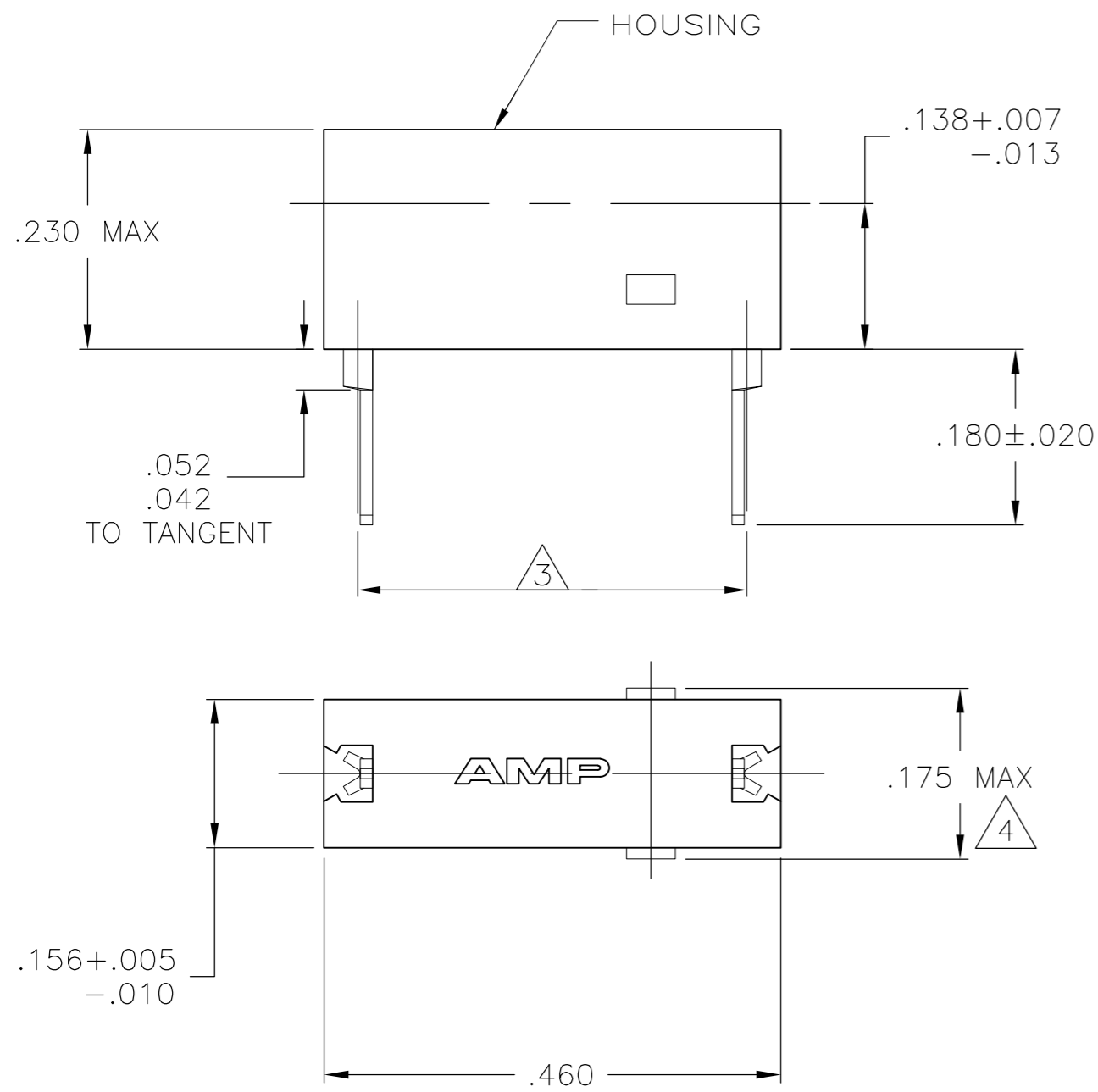
Email & Skype: info@chipsmall.com Web: www.chipsmall.com

Address: A1208, Overseas Decoration Building, #122 Zhenhua RD., Futian, Shenzhen, China



THIS DRAWING IS UNPUBLISHED. RELEASED FOR PUBLICATION
 © COPYRIGHT BY TYCO ELECTRONICS CORPORATION. ALL RIGHTS RESERVED.

LOC		DIST		REVISIONS			
P	LTR	DESCRIPTION	DATE	DWN	APVD		
AF	50	T	REVISED PER 0G3A-0170-05	30JUN05	MF	EH	
		T1	REVISED PER ECO-09-021510	04SEP09	KK	AEG	



- 1 OPERATION TEMPERATURE IS 105° C MAX.
- 2 RETENTION FORCE - 16 OUNCES MIN INITIALLY. 6 OUNCES MIN AFTER 500 CYCLES.
- 3 REFER TO MOUNTING HOLE PATTERN.
- 4 .175 MAX TO BE MEASURED ACROSS THE CUT-OFF TABS.
- 5 OBSOLETE PARTS: OBSOLETE CIS STREAMLINING PER D.RENAUD/D.SINISI

5	SUPERCEDED	NYLON 6/6; GREEN	BRASS - TIN-LEAD	3-380736-5
	OBSOLETE	NYLON 6/6; NATURAL	BRASS - GOLD	2-380736-0
		NYLON 6/6; WHITE	BRASS - GOLD	1-380736-9
	OBSOLETE	NYLON 6/6; GRAY	BRASS - GOLD	1-380736-8
	OBSOLETE	NYLON 6/6; VIOLET	BRASS - GOLD	1-380736-7
	OBSOLETE	NYLON 6/6; BLUE	BRASS - GOLD	1-380736-6
	OBSOLETE	NYLON 6/6; GREEN	BRASS - GOLD	1-380736-5
	OBSOLETE	NYLON 6/6; YELLOW	BRASS - GOLD	1-380736-4
	OBSOLETE	NYLON 6/6; ORANGE	BRASS - GOLD	1-380736-3
	OBSOLETE	NYLON 6/6; RED	BRASS - GOLD	1-380736-2
	OBSOLETE	NYLON 6/6; BROWN	BRASS - GOLD	1-380736-1
		NYLON 6/6; BLACK	BRASS - GOLD	1-380736-0
		HOUSING - MATERIAL; COLOR	RECEPTACLE - MATERIAL; FINISH	PART NUMBER

THIS DRAWING IS A CONTROLLED DOCUMENT.		DWN M.S. FEHER 19APR2004	Tyco Electronics Corporation Harrisburg, Pa 17105-3608	
DIMENSIONS: mm		CHK E. HOWARD 19APR2004	NAME ASSEMBLY, TEST PROBE	
TOLERANCES UNLESS OTHERWISE SPECIFIED:		APVD E. HOWARD 10APR2004	PRODUCT SPEC	
0 PLC ± -		APPLICATION SPEC		
1 PLC ± -		WEIGHT -		
2 PLC ± .015		SIZE A2 CAGE CODE 00779 C=380736		
3 PLC ± -		DRAWING NO 380736		
4 PLC ± -		RESTRICTED TO		
ANGLES ± -		SCALE 6:1 SHEET 1 OF 1 REV T1		
FINISH		CUSTOMER DRAWING		