



Chipsmall Limited consists of a professional team with an average of over 10 year of expertise in the distribution of electronic components. Based in Hongkong, we have already established firm and mutual-benefit business relationships with customers from,Europe,America and south Asia,supplying obsolete and hard-to-find components to meet their specific needs.

With the principle of “Quality Parts,Customers Priority,Honest Operation,and Considerate Service”,our business mainly focus on the distribution of electronic components. Line cards we deal with include Microchip,ALPS,ROHM,Xilinx,Pulse,ON,Everlight and Freescale. Main products comprise IC,Modules,Potentiometer,IC Socket,Relay,Connector.Our parts cover such applications as commercial,industrial, and automotives areas.

We are looking forward to setting up business relationship with you and hope to provide you with the best service and solution. Let us make a better world for our industry!



Contact us

Tel: +86-755-8981 8866 Fax: +86-755-8427 6832

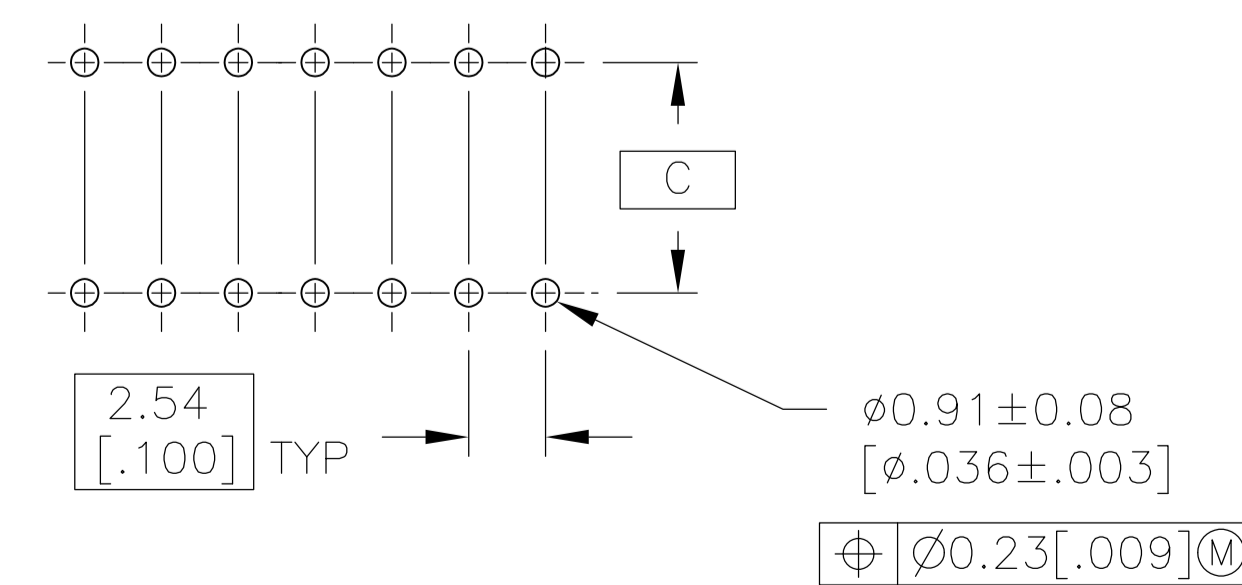
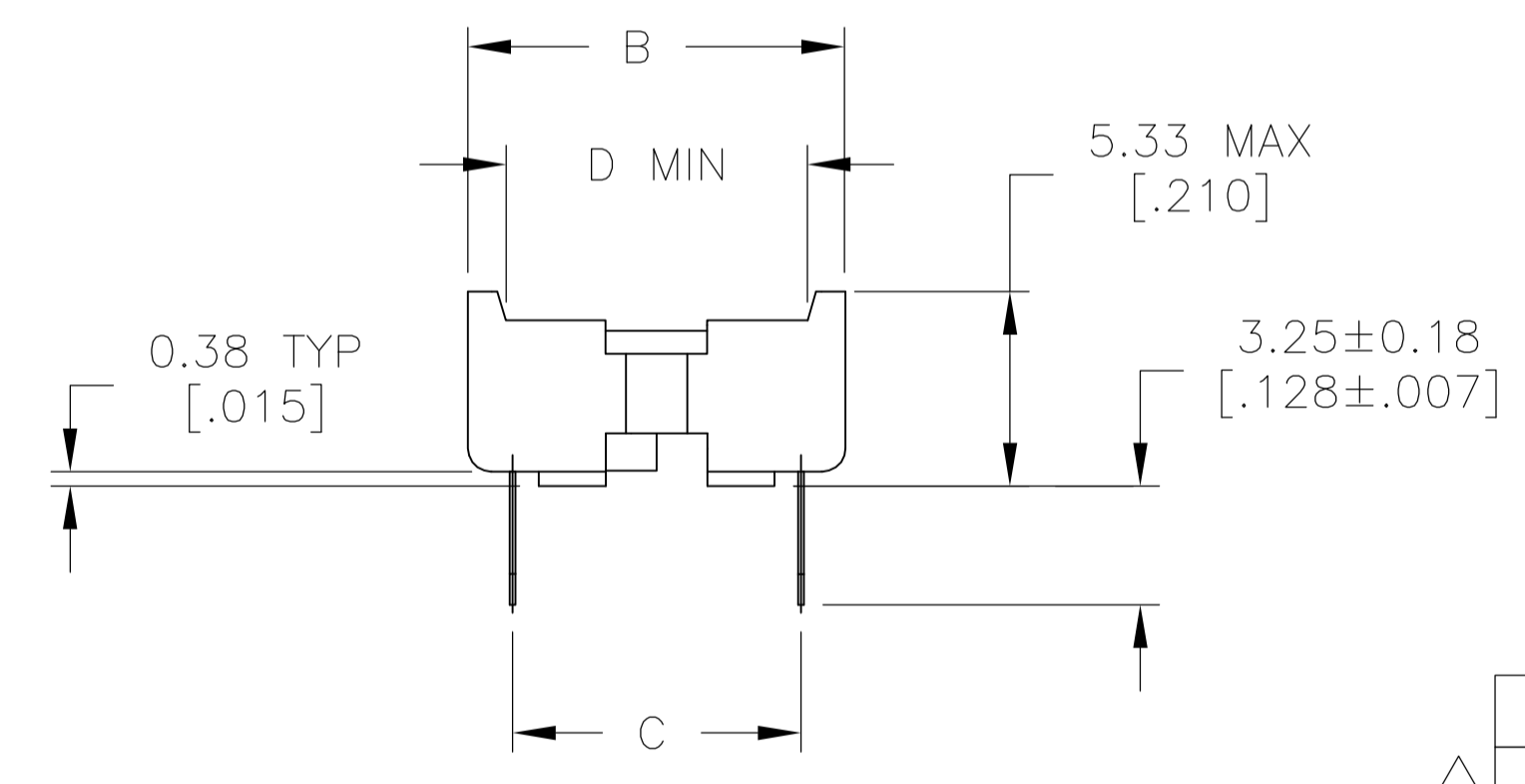
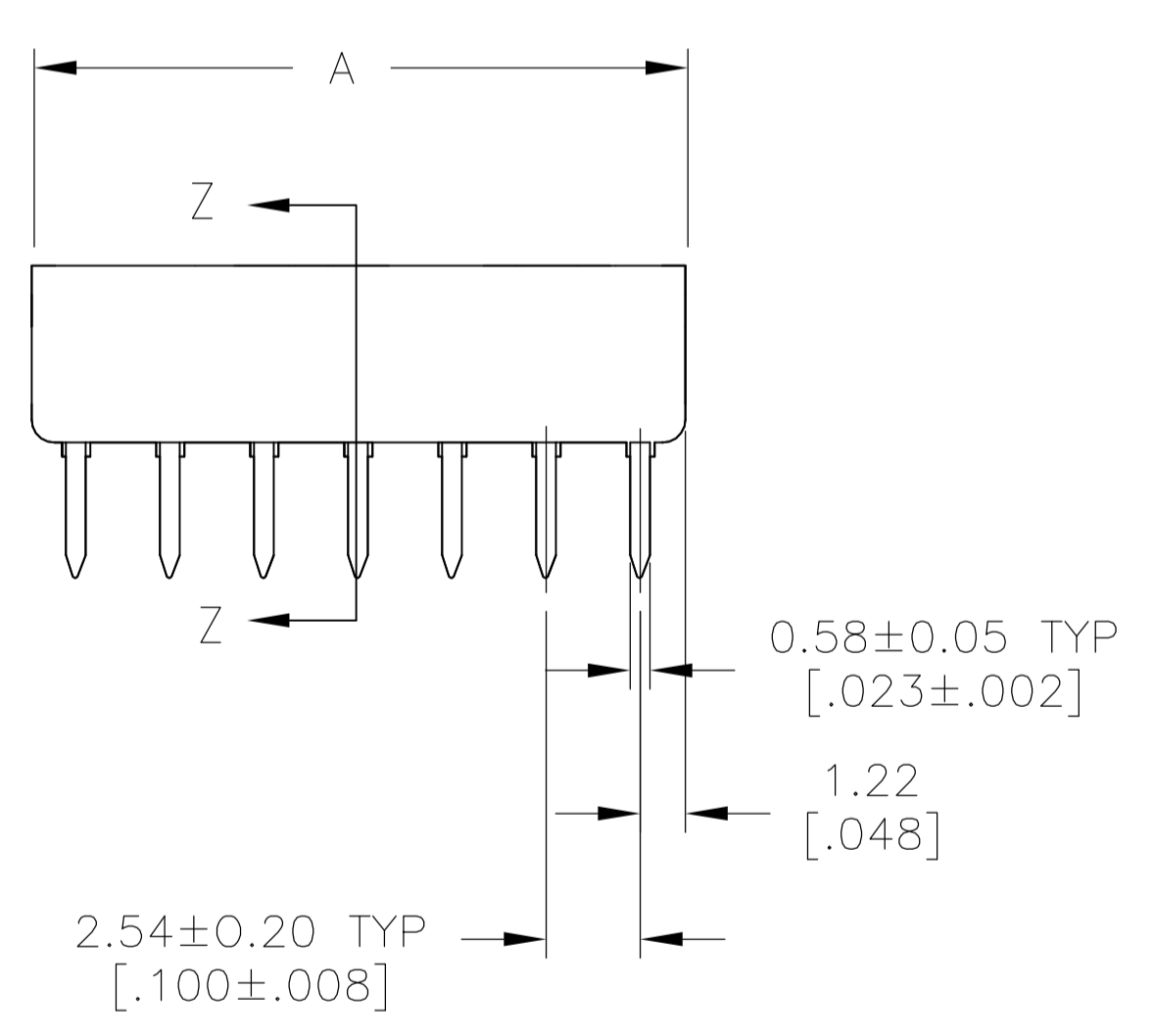
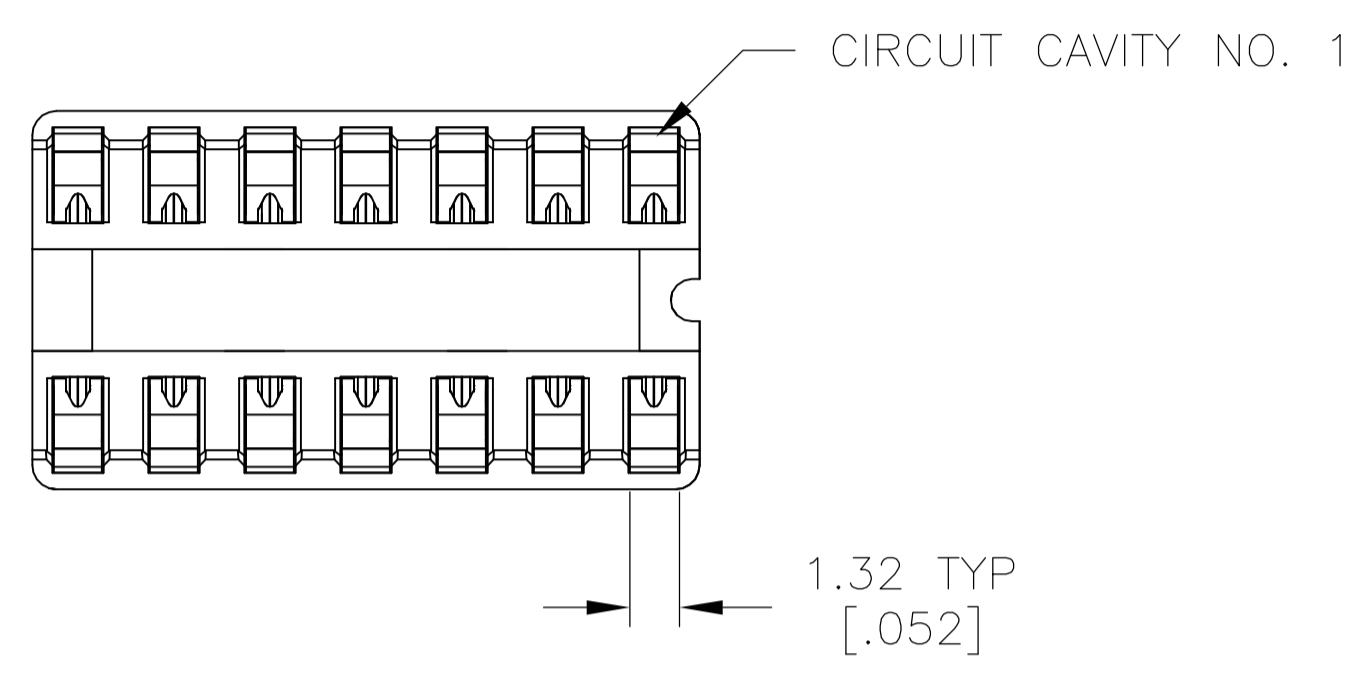
Email & Skype: info@chipsmall.com Web: www.chipsmall.com

Address: A1208, Overseas Decoration Building, #122 Zhenhua RD., Futian, Shenzhen, China

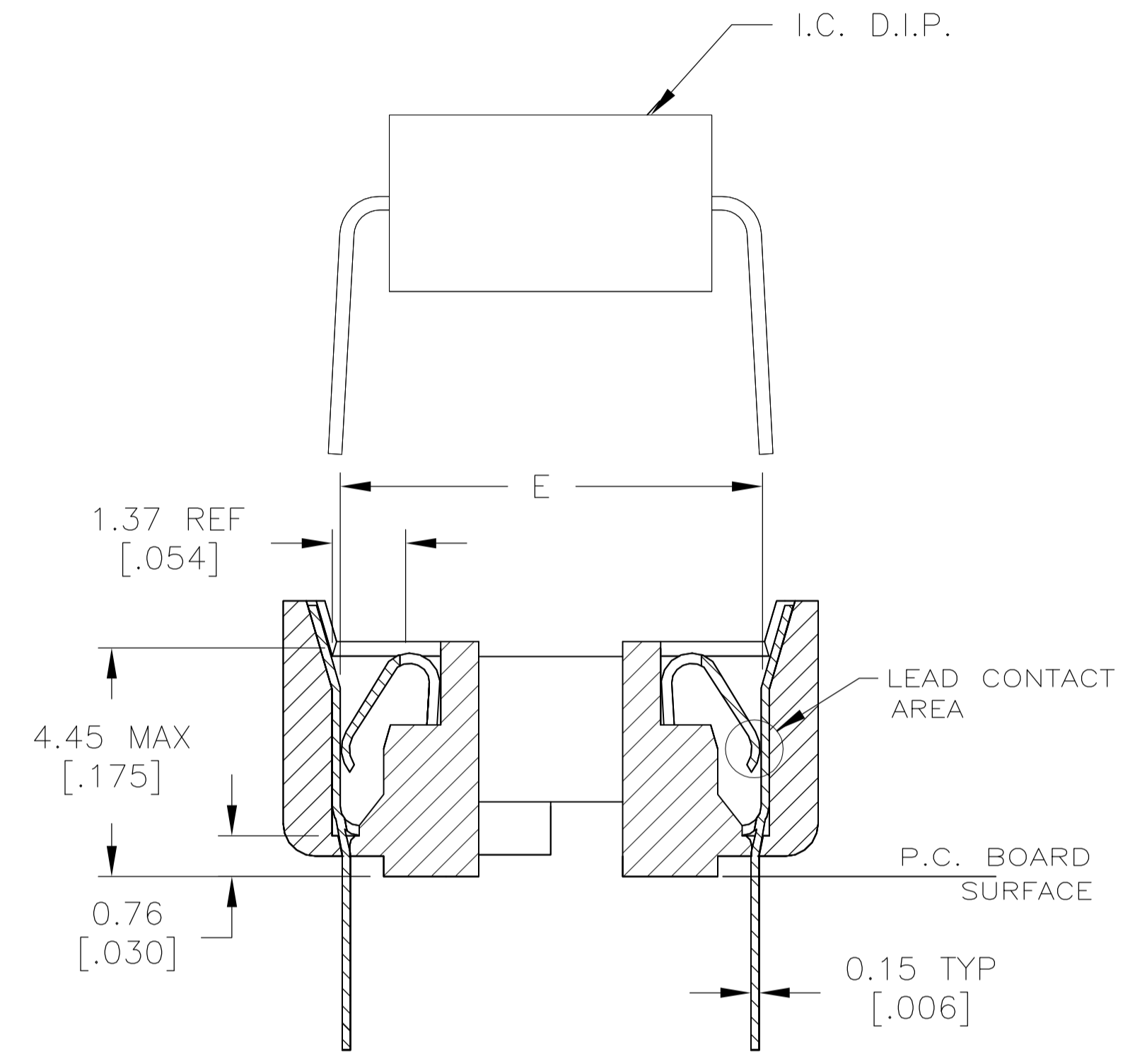


LOC		DIST		REVISIONS			
P	LTR	DESCRIPTION	DATE	DMN	APVD		
E		REV PER OG3C-0162-99	17NOV00	RB	HW		
E1		REVISED PER ECO-09-021510	05SEP09	KK	AEG		
F		ECR-13-018647	14MAR14	W.W.	C.W.		

- RECEPTACLE ACCEPTS A 0.20-0.36 [.008-.014] THICK I.C. LEAD.
- TUBE LOADED FOR AUTOMATIC INSERTION.
- LUBRICANT: MONSANTO OS-138.
- HOUSING: GLASS-FILLED, THERMOPLASTIC, 94V-0, BLACK.
CONTACT: PH BRONZE.
- CONTACT: TINNED.
- OBSOLETE PARTS: OBSOLETE CIS STREAMLINING PER D.RENAUD/D.SINISI



RECOMMENDED MOUNTING HOLE PATTERN
SCALE 4:1



SECTION A-A
SCALE 10:1

	E	D	C ±0.20 [±.008]	B	A	POSN	PART NUMBER
△6	OBSOLETE	23.11 [.910]	23.39 [.921]	22.86 [.900]	26.01 [1.024]	81.66 [3.215]	64 6-382568-4
	OBSOLETE	15.49 [.610]	15.77 [.621]	15.24 [.600]	17.63 [.694]	60.83 [2.395]	48 4-382568-8
		15.49 [.610]	15.77 [.621]	15.24 [.600]	17.63 [.694]	50.67 [1.995]	40 4-382568-0
F	OBSOLETE	15.49 [.610]	15.77 [.621]	15.24 [.600]	17.63 [.694]	40.51 [1.595]	32 3-382568-2
		15.49 [.610]	15.77 [.621]	15.24 [.600]	17.63 [.694]	35.43 [1.395]	28 2-382568-8
		15.49 [.610]	15.77 [.621]	15.24 [.600]	17.63 [.694]	30.35 [1.195]	24 2-382568-5
F	OBSOLETE	7.87 [.310]	8.15 [.321]	7.62 [.300]	10.01 [.394]	30.35 [1.195]	24 2-382568-4
	OBSOLETE	10.41 [.410]	10.69 [.421]	10.16 [.400]	12.55 [.494]	27.81 [1.095]	22 2-382568-2
F	OBSOLETE	7.87 [.310]	8.15 [.321]	7.62 [.300]	10.01 [.394]	25.27 [.995]	20 2-382568-0
	OBSOLETE	7.87 [.310]	8.15 [.321]	7.62 [.300]	10.01 [.394]	22.73 [.895]	18 1-382568-8
		7.87 [.310]	8.15 [.321]	7.62 [.300]	10.01 [.394]	20.19 [.795]	16 1-382568-6
	OBSOLETE	7.87 [.310]	8.15 [.321]	7.62 [.300]	10.01 [.394]	17.65 [.695]	14 1-382568-4
	OBSOLETE	7.87 [.310]	8.15 [.321]	7.62 [.300]	10.01 [.394]	10.03 [.395]	8 382568-8
	OBSOLETE	7.87 [.310]	8.15 [.321]	7.62 [.300]	10.01 [.394]	7.49 [.295]	6 382568-6

THIS DRAWING IS A CONTROLLED DOCUMENT.

DIMENSIONS: INCHES

TOLERANCES UNLESS OTHERWISE SPECIFIED:

0. PLC	±	-
1. PLC	±	-
2. PLC	±	0.13 [.005]
3. PLC	±	-
4. PLC	±	-
ANGLES	±	-

MATERIAL: SEE NOTE 4

FINISH: SEE NOTE 5

APPROVED: H. WYNKOOP

DATE: 17NOV00

NAME: H. WYNKOOP

PRODUCT SPEC: 108-1066

APPLICATION SPEC: 114-1049

WEIGHT: -

SIZE: A1

CAGE CODE: 00779

DRAWING NO: 382568

RESTRICTED TO: -

CUSTOMER DRAWING

SCALE: 5:1

SHEET: 1 OF 1

REV: F