



Chipsmall Limited consists of a professional team with an average of over 10 year of expertise in the distribution of electronic components. Based in Hongkong, we have already established firm and mutual-benefit business relationships with customers from,Europe,America and south Asia,supplying obsolete and hard-to-find components to meet their specific needs.

With the principle of "Quality Parts,Customers Priority,Honest Operation,and Considerate Service",our business mainly focus on the distribution of electronic components. Line cards we deal with include Microchip,ALPS,ROHM,Xilinx,Pulse,ON,Everlight and Freescale. Main products comprise IC,Modules,Potentiometer,IC Socket,Relay,Connector.Our parts cover such applications as commercial,industrial, and automotives areas.

We are looking forward to setting up business relationship with you and hope to provide you with the best service and solution. Let us make a better world for our industry!



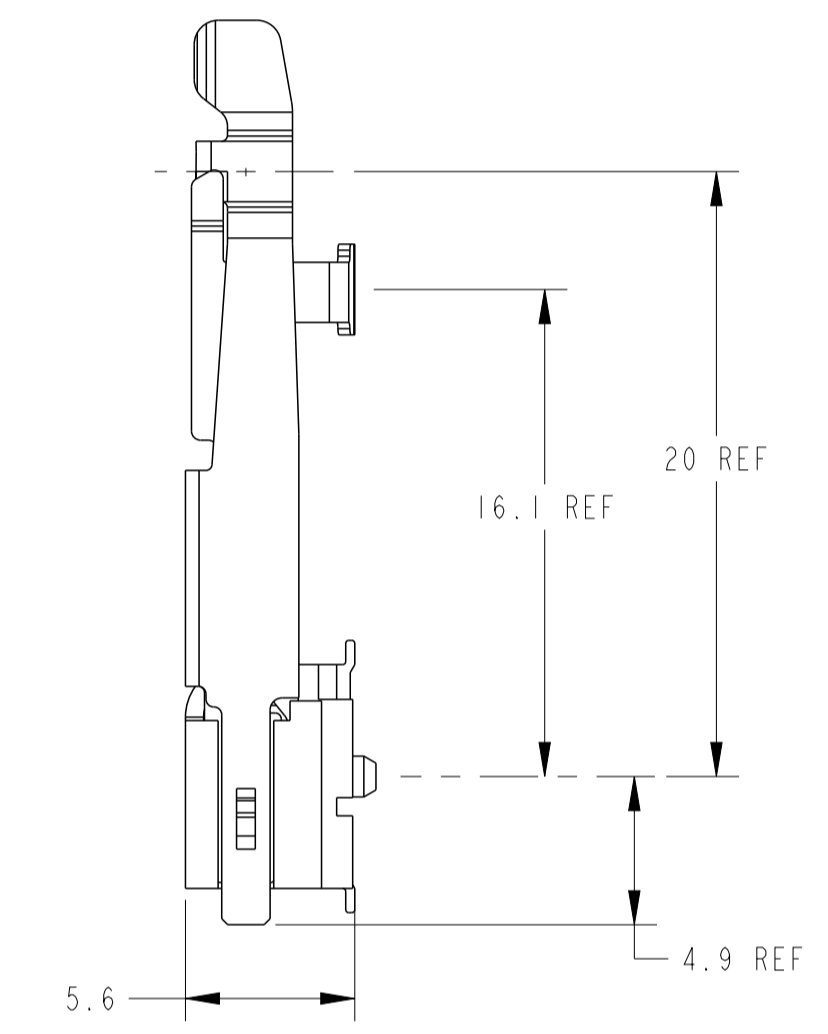
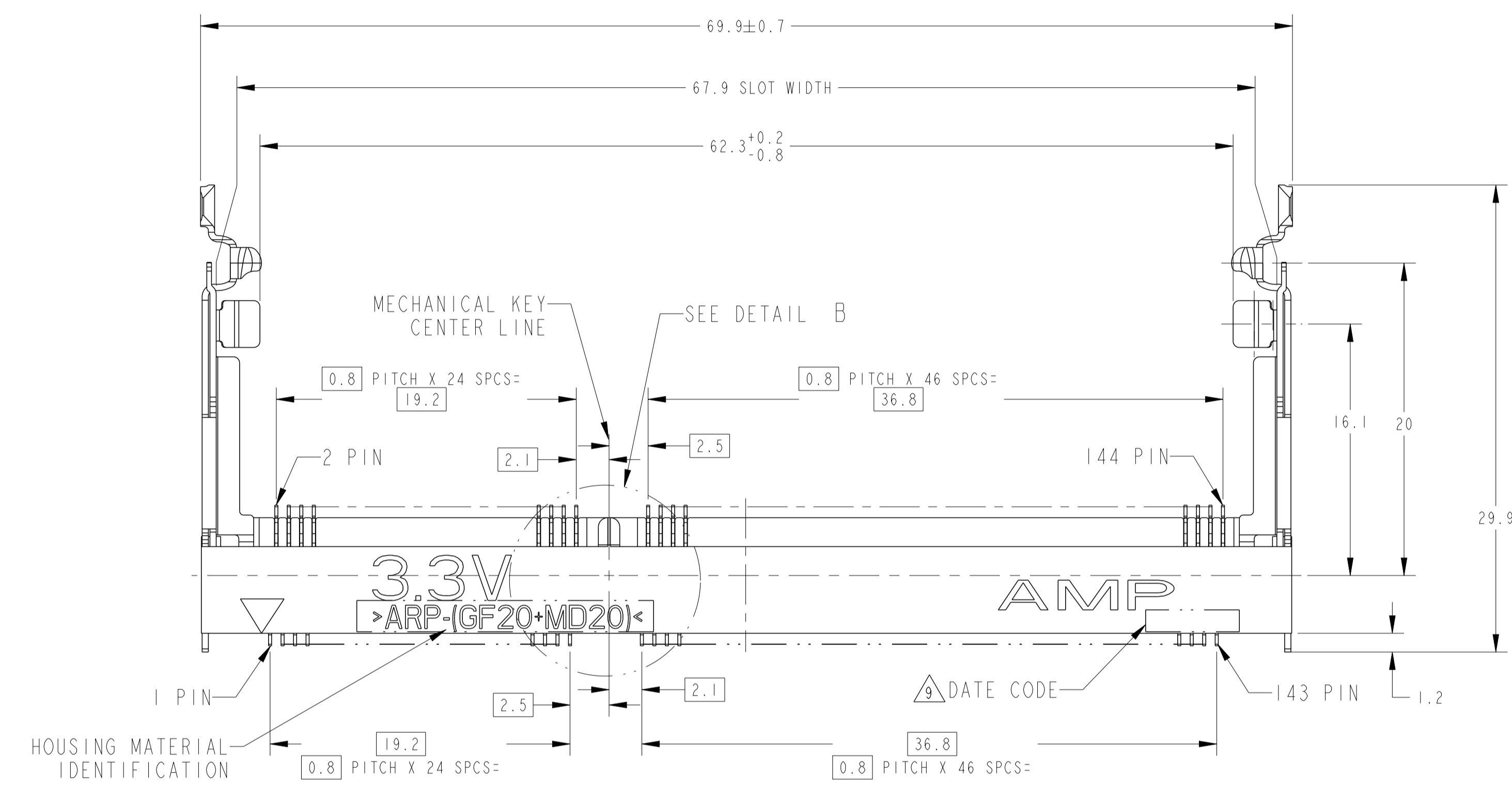
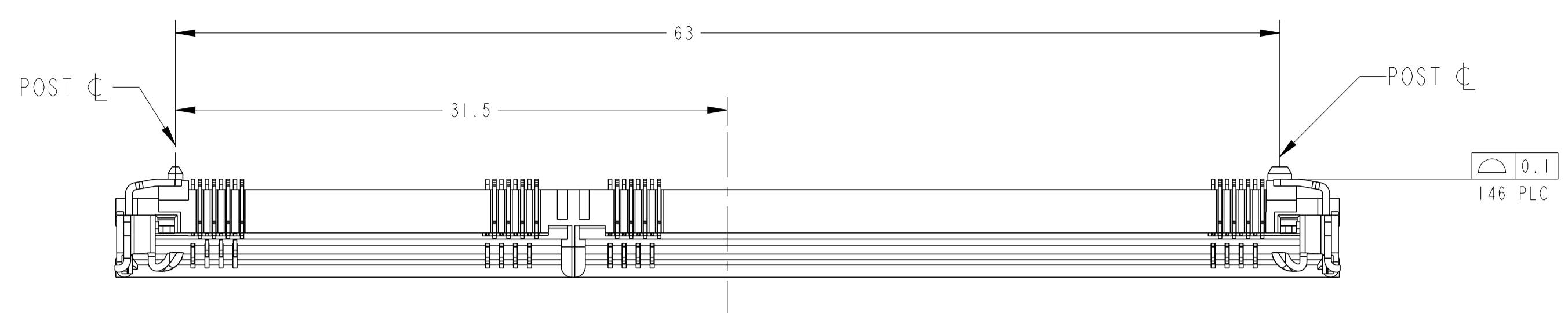
Contact us

Tel: +86-755-8981 8866 Fax: +86-755-8427 6832

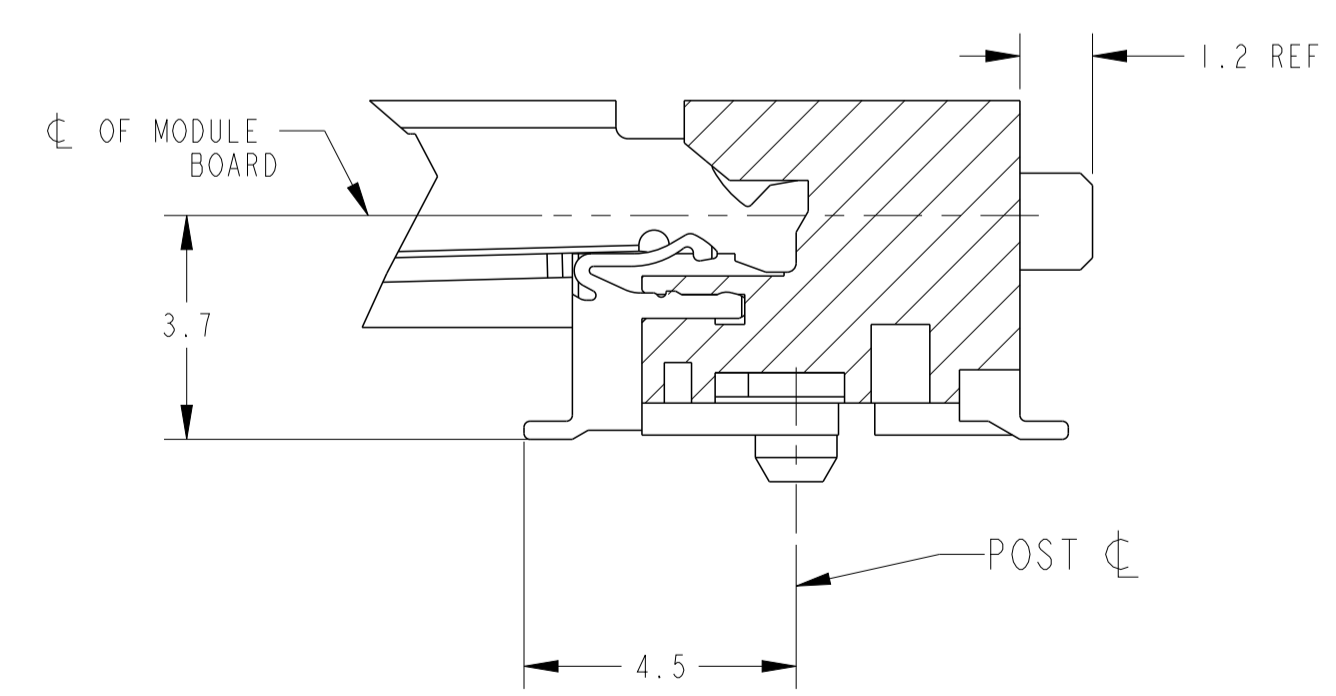
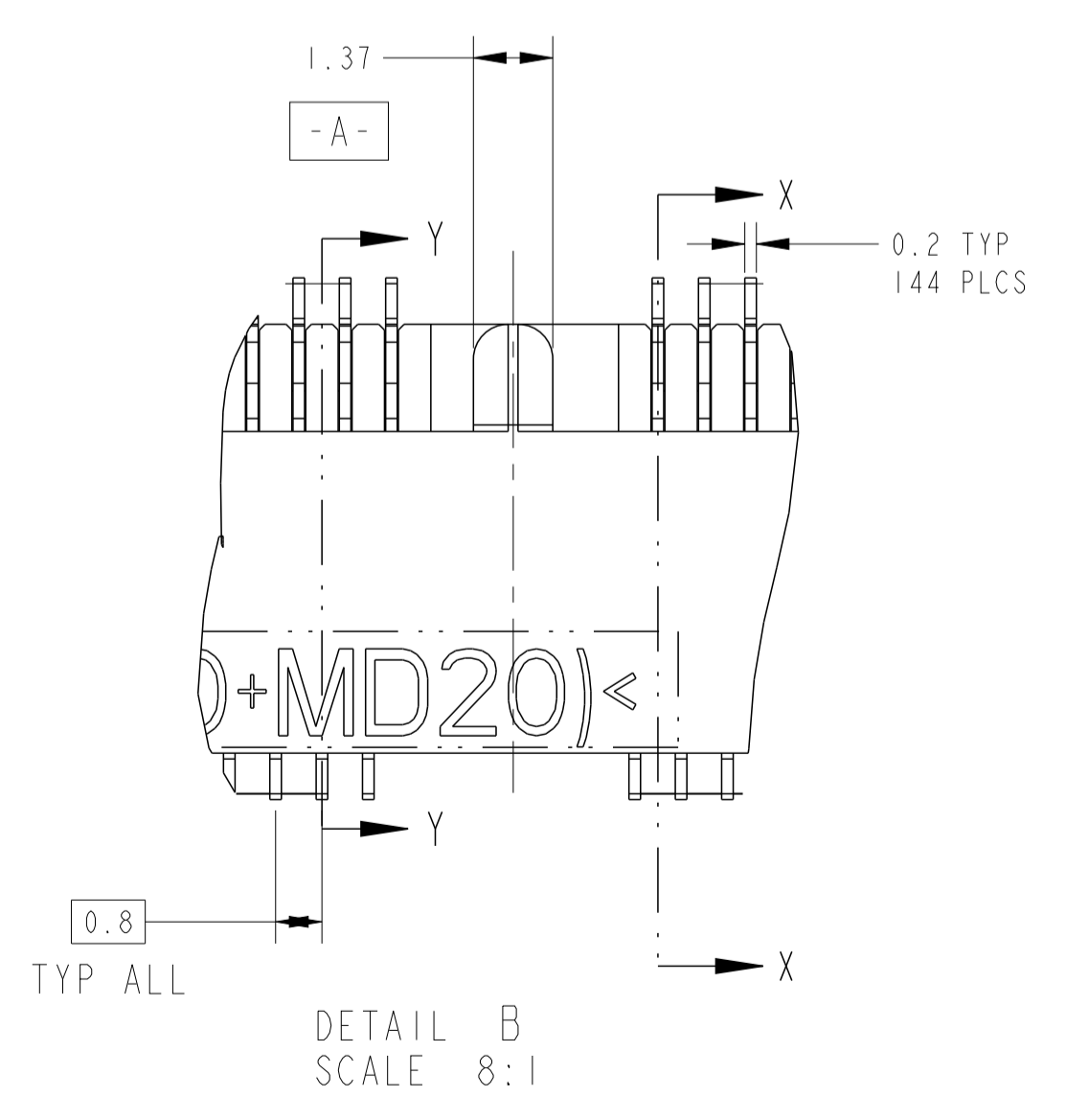
Email & Skype: info@chipsmall.com Web: www.chipsmall.com

Address: A1208, Overseas Decoration Building, #122 Zhenhua RD., Futian, Shenzhen, China

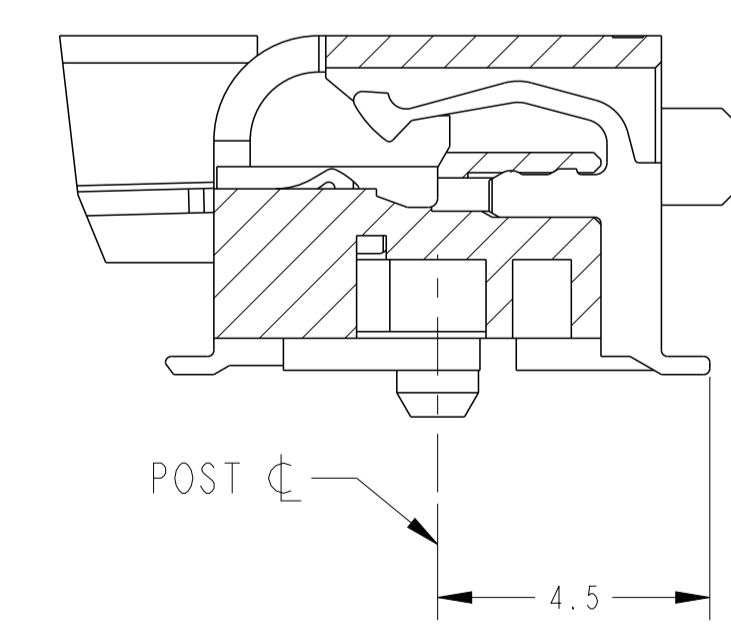




- 1 MATERIAL, HOUSING, HIGH TEMPERATURE PLASTIC UL94V-0, NAT. CONTACT: COPPER ALLOY LOCK LEVER: SUS301 TIN PLATING.
- 2 FINISH; CONTACT AREA: 0.00025 MIN GOLD PLATE ON 0.001 MIN ALL OVER NICKEL SOLDERING AREA: 0.00005 MIN TO 0.00030 MAX GOLD PLATE
- 3. TOLERANCES NON-ACCUMULATIVE.
- 4 PART TO BE PACKAGED PER EIA IS-704 STANDARD. REEL DIAMETER IS 559 mm, TAPE WIDTH IS 88 mm, AND TAPE PITCH IS 36 mm.
- 5 PACKAGED IN HARD TRAY.
- 6 FINISH: CONTACT AREA: 0.00025 MIN GOLD PLATE ON 0.001 MIN ALL OVER NICKEL SOLDERING AREA: BRIGHT TIN-LEAD
- 7 PART PACKAGED PER EIA IS-704 STANDARD. REEL DIAMETER SHALL BE 330mm, TAPE WIDTH SHALL BE 88mm, AND TAPE PITCH SHALL BE 36mm.
- 8 REVERSE REELING.
- 9 DATE CODE (4-DIGITS), LOCATED AS SHOWN. TO BE INTERPRETED AS FOLLOWS:
 DIGIT # 1 - LAST DIGIT OF YEAR.
 DIGITS # 2 AND # 3 - CALENDAR WEEK.
 DIGIT # 4 - DAY OF THE WEEK (WITH SUNDAYS AS DAY 1).



SECTION X-X
SCALE 8:1
ROTATED 90° CCW

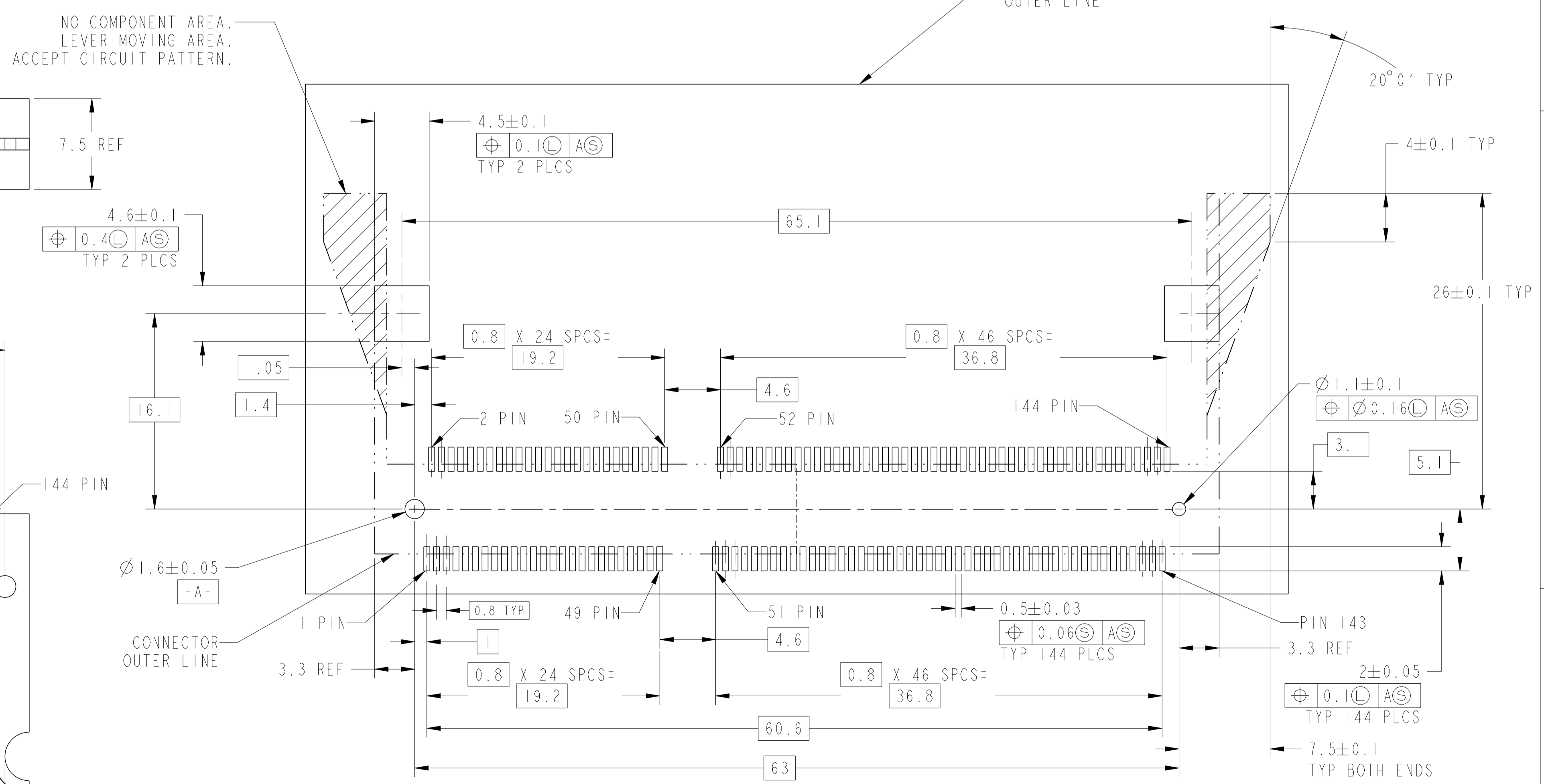
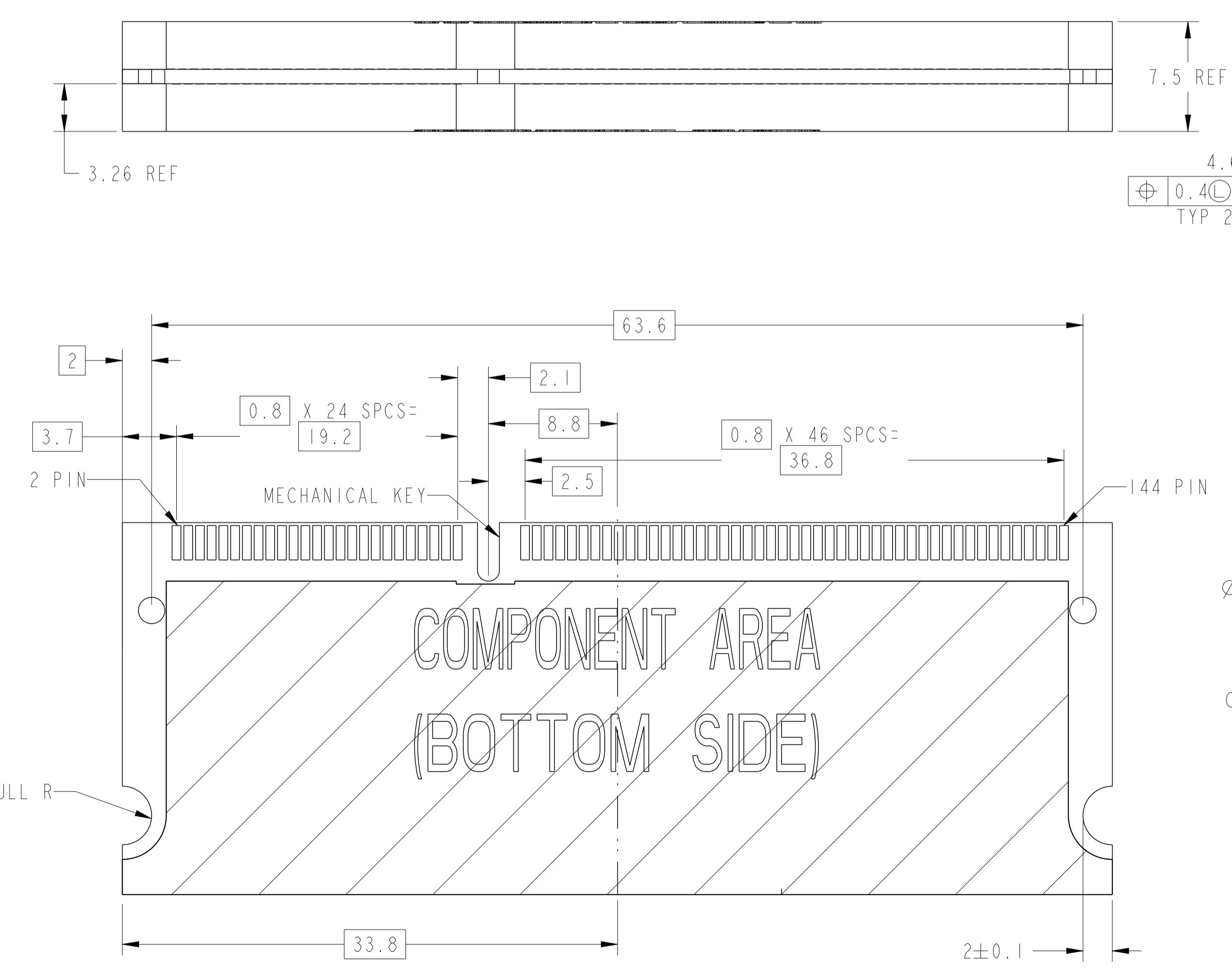
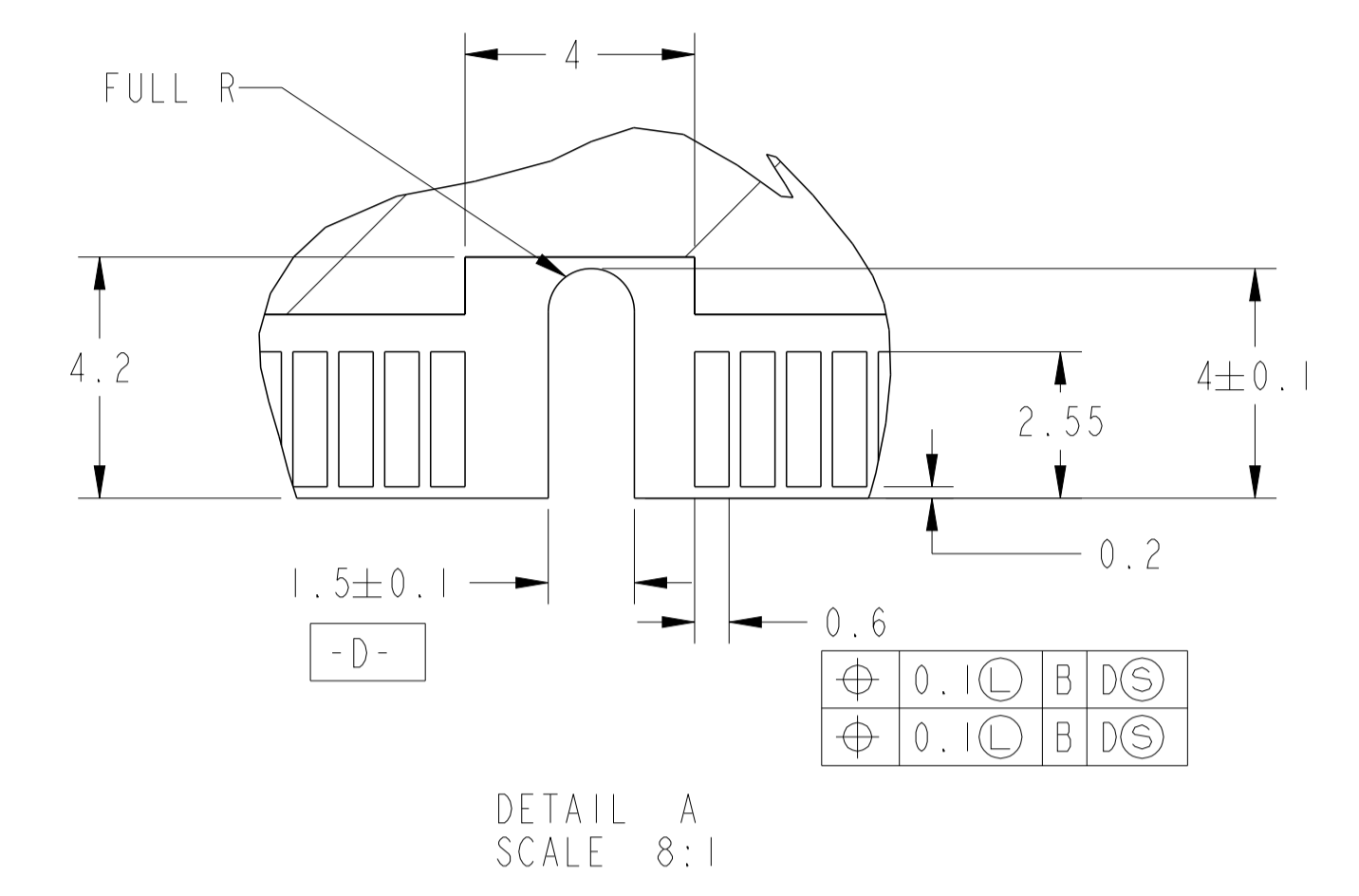
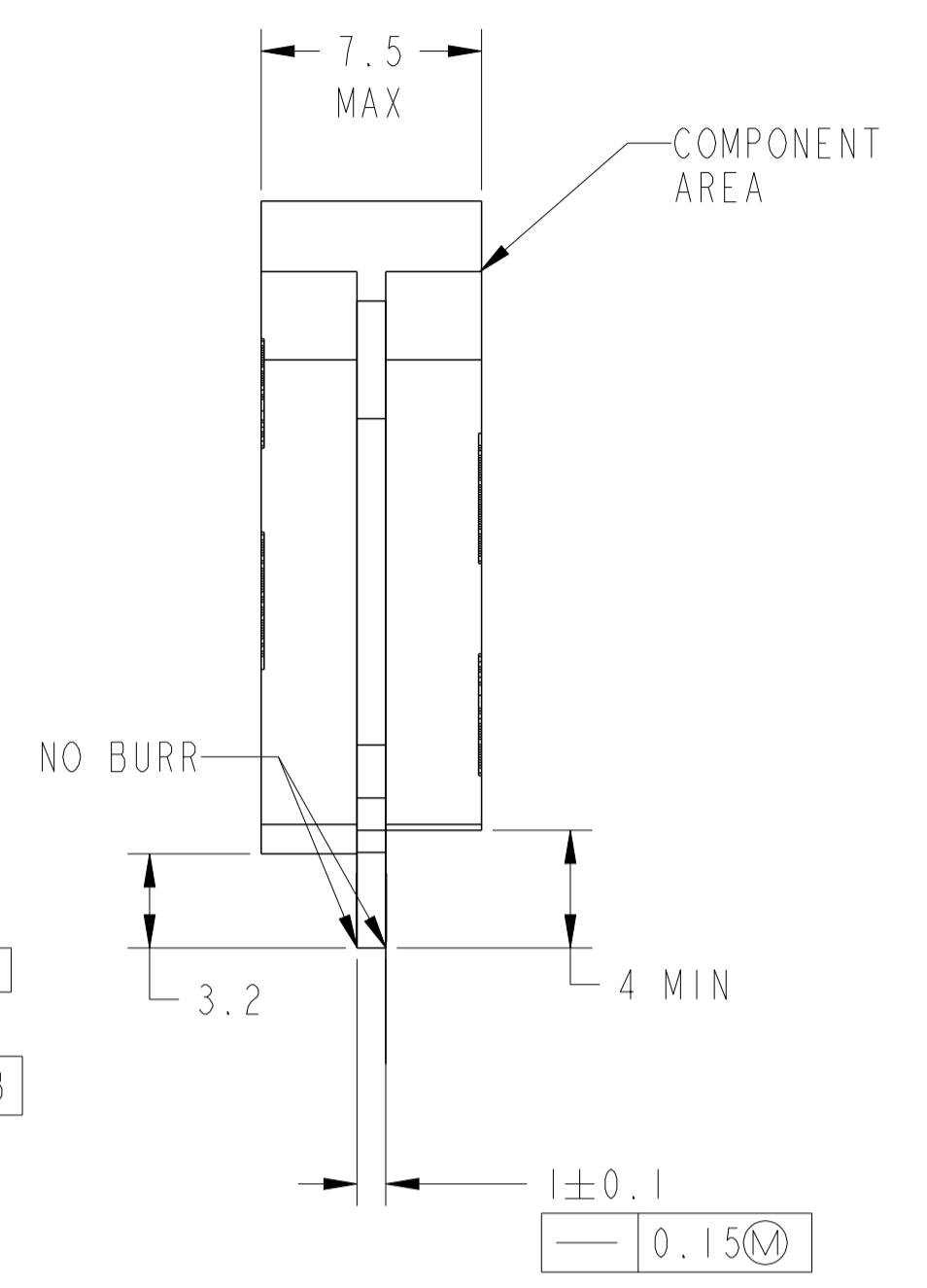
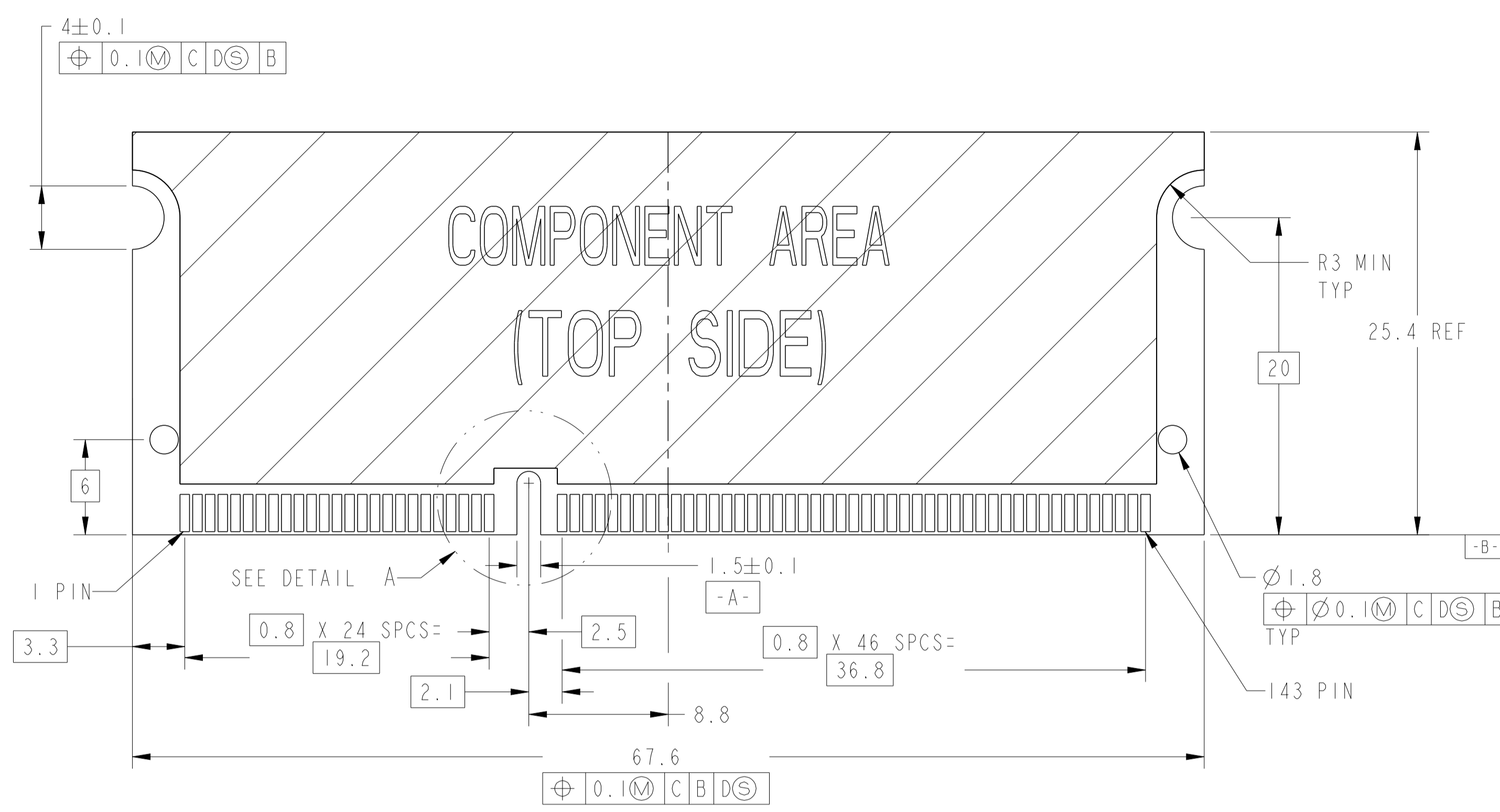


SECTION Y-Y
SCALE 8:1
ROTATED 90° CCW

NIL	AVAILABLE	2	GRAM 3.3V	144	9-390111-2	7/8
NIL	AVAILABLE	2	GRAM 3.3V	144	9-390111-1	7
9-390111-1	NOT AVAILABLE	6	GRAM 3.3V	144	6-390111-4	4
9-390111-1	NOT AVAILABLE	2	GRAM 3.3V	144	6-390111-1	4
3-390111-1	NOT AVAILABLE	6	GRAM 3.3V	144	3-390111-4	5
NIL	AVAILABLE	2	GRAM 3.3V	144	3-390111-1	5
390111-1	NOT AVAILABLE	6	GRAM 3.3V	144	390111-4	
NIL	AVAILABLE	2	GRAM 3.3V	144	390111-1	
SUPERSEDED BY	REMARKS	FINISH	POWER SUPPLY	POS	PART NUMBER	

DIMENSIONS:		TOLERANCES UNLESS OTHERWISE SPECIFIED:		DWN: W. SORAH 6-23-97		CHK: R. TALLEY 6-23-97	
mm	0 PLC ±0.2	1 PLC ±0.2	2 PLC ±0.2	3 PLC ±0.2	4 PLC ±0.2	APVD: SF LEONG	
MATERIAL:		FINISH: SEE TABLE		WEIGHT:		CUSTOMER DRAWING	
STE		TE Connectivity		NAME: S.O. DIMM, SOCKET ASSY, 0.8mm, 3.3V		144 POSITION, 3.7 MM PROFILE FOR SGRAM TYPE MODULE	
SIZE: A		CAGE CODE: 00779		DRAWING NO: C=390111		RESTRICTED TO:	
SCALE: 4:1		SHEET: 1 OF 2		REV: P1			

LOC		DIST		REVISIONS				
P	LTN	DATE	DMN	APVD	DESCRIPTION	DATE	DMN	APVD
-	-	-	-	-	SEE SHEET 1	-	-	-



DIMENSIONS:		TOLERANCES UNLESS OTHERWISE SPECIFIED:		DWG: W. SORAH 6-23-97		CHK: R. TALLEY 6-23-97		NAME: S.O. DIMM, SOCKET ASSY, 0.8mm, 3.3V 144 POSITION, 3.7 MM PROFILE FOR SGRAM TYPE MODULE	
mm	0 PLC ± 0.2	1 PLC ± 0.2	2 PLC ± 0.2	3 PLC ± 0.2	4 PLC ± 0.2	APVD: SE LEONG	PRODUCT SPEC	APPLICATION SPEC	SIZE: A1
MATERIAL:	FINISH:	SEE TABLE		WEIGHT:	CAGE CODE: 00779	DRAWING NO: C=390111	RESTRICTED TO:	SCALE: 4:1	SHEET 2 OF 2
CUSTOMER DRAWING				REV: P1					