



Chipsmall Limited consists of a professional team with an average of over 10 year of expertise in the distribution of electronic components. Based in Hongkong, we have already established firm and mutual-benefit business relationships with customers from,Europe,America and south Asia,supplying obsolete and hard-to-find components to meet their specific needs.

With the principle of “Quality Parts,Customers Priority,Honest Operation,and Considerate Service”,our business mainly focus on the distribution of electronic components. Line cards we deal with include Microchip,ALPS,ROHM,Xilinx,Pulse,ON,Everlight and Freescale. Main products comprise IC,Modules,Potentiometer,IC Socket,Relay,Connector.Our parts cover such applications as commercial,industrial, and automotives areas.

We are looking forward to setting up business relationship with you and hope to provide you with the best service and solution. Let us make a better world for our industry!



Contact us

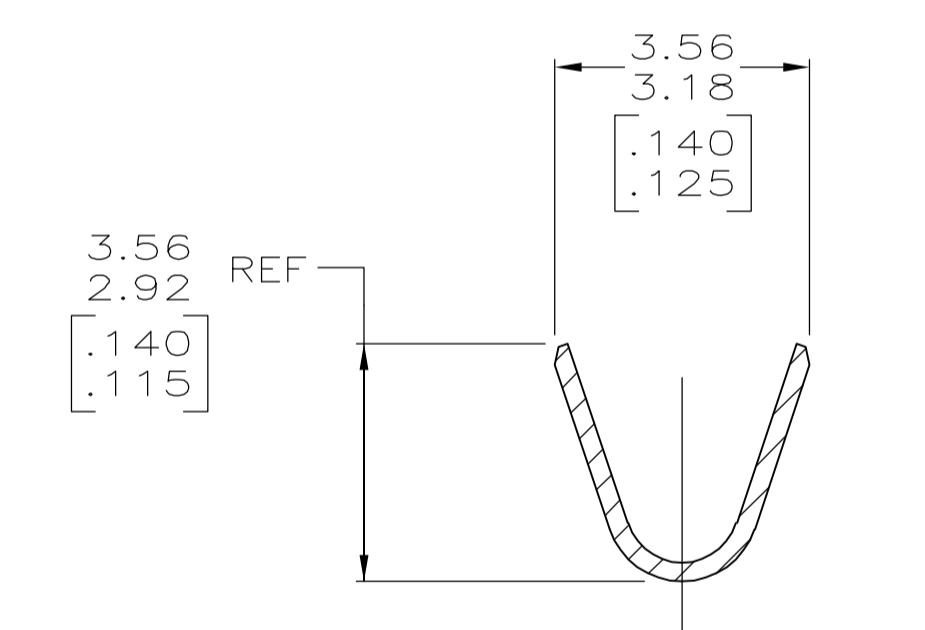
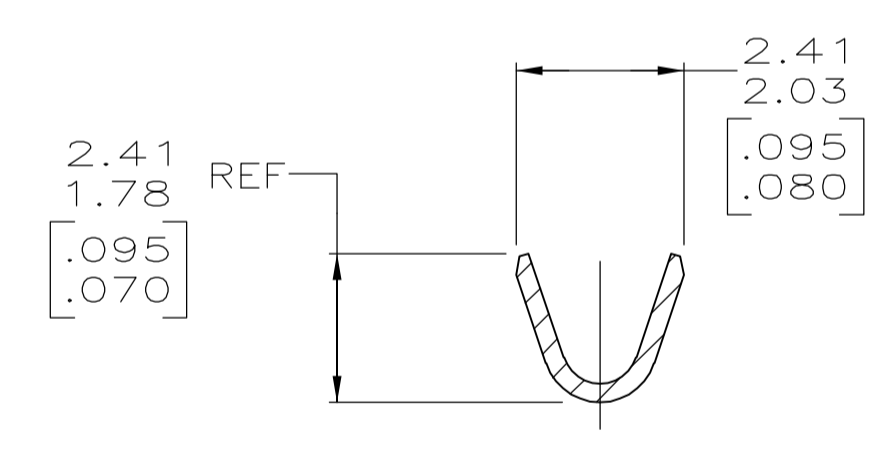
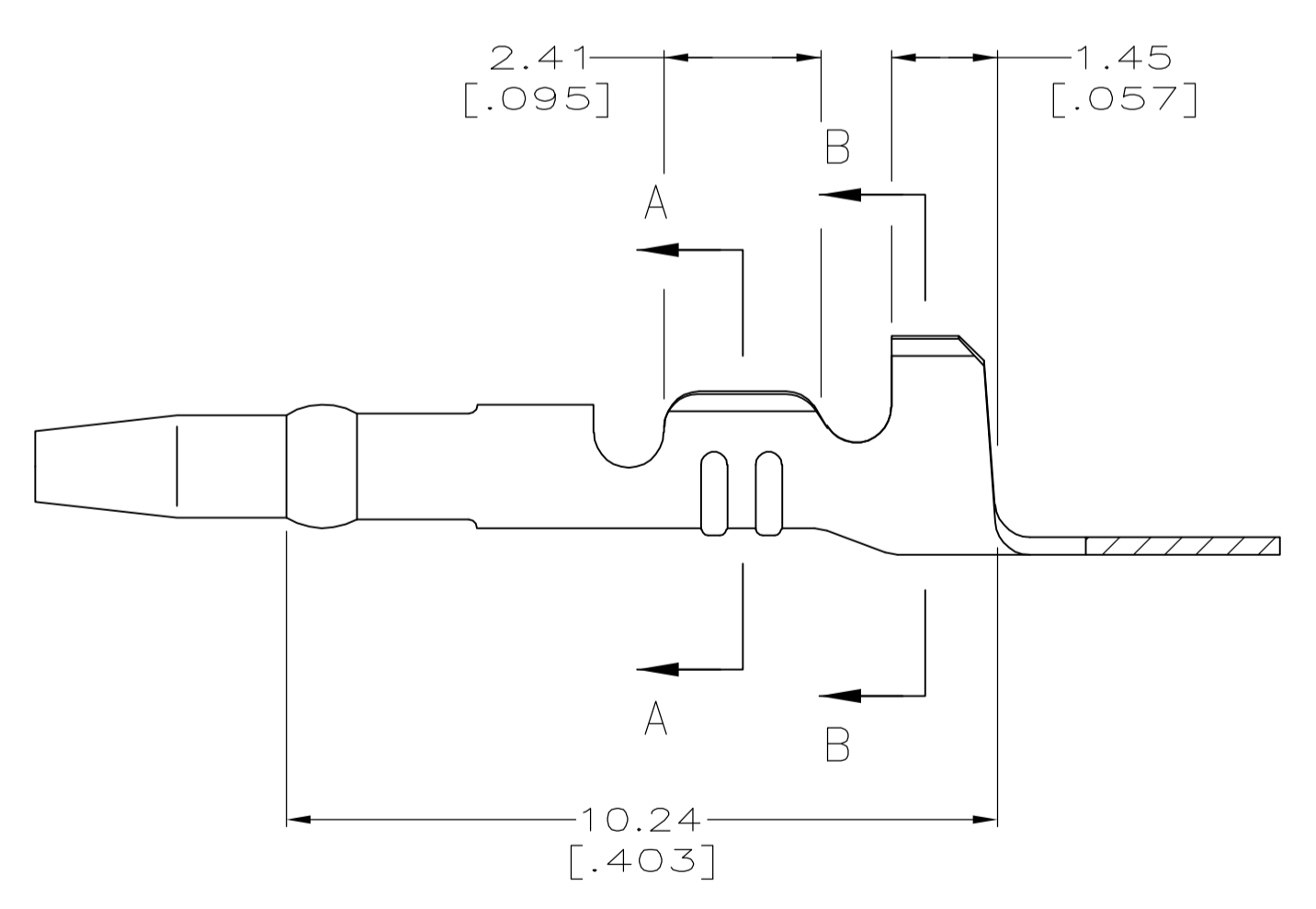
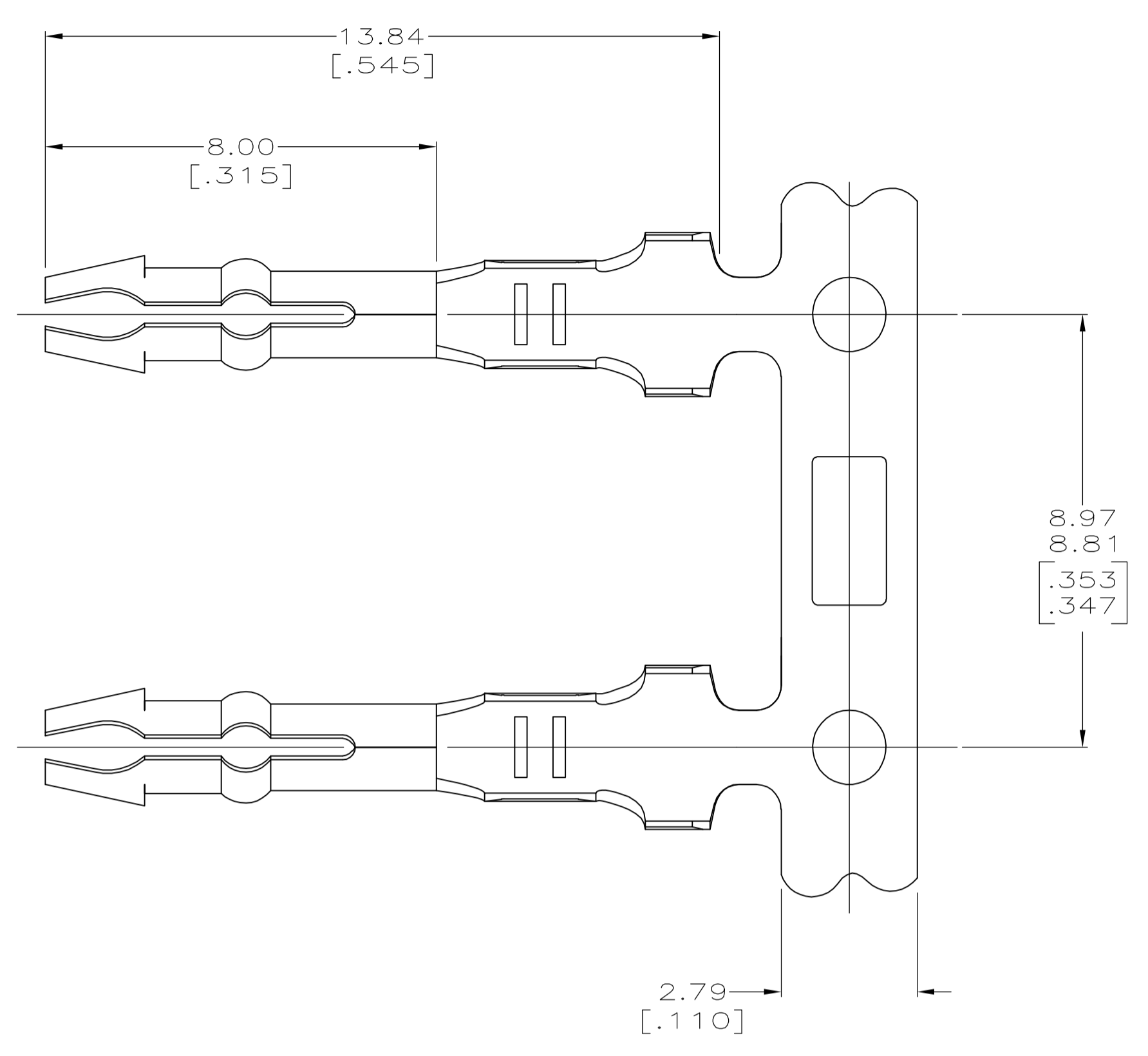
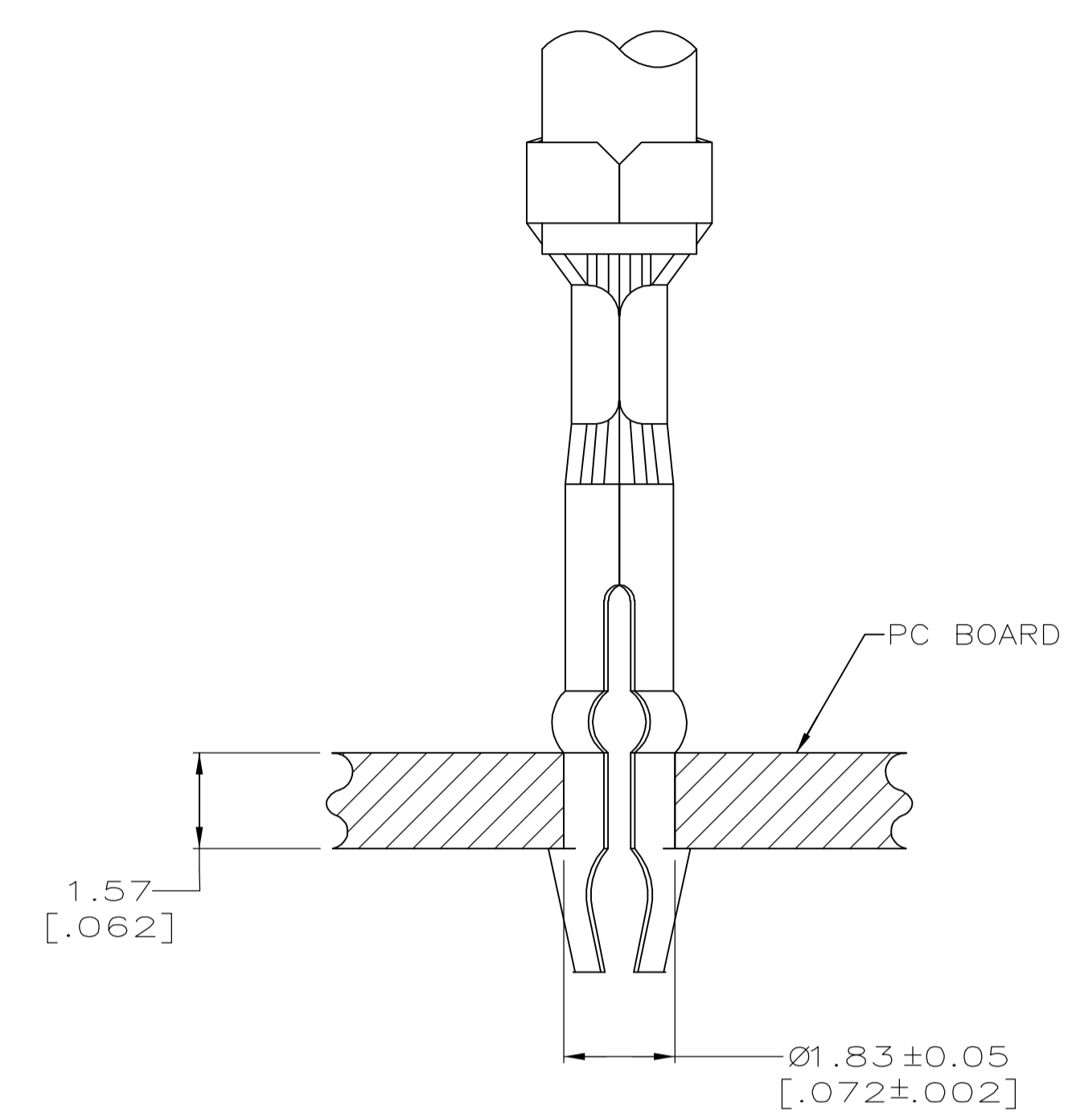
Tel: +86-755-8981 8866 Fax: +86-755-8427 6832

Email & Skype: info@chipsmall.com Web: www.chipsmall.com

Address: A1208, Overseas Decoration Building, #122 Zhenhua RD., Futian, Shenzhen, China



LOC		DIST		REVISIONS			
P	LTR	DESCRIPTION	DATE	DWN	APVD		
AJ1		REVISED PER ECO-06-011101	11MAY06	KW	KW		



NOTE DELETED.

- PARTS COMPLY WITH AMP SOLDERABILITY SPEC 109-11-3.
- WIRE RANGE: 0.3 - 0.6 mm² (22 - 20 AWG).
- INSULATION RANGE: 2.54 [.100] DIA MAX.
- DIMENSIONS IN BRACKETS ARE IN INCHES.

MINI	PRE TIN	0.25 [.010] BRASS	3-42642-3
MINI	PRE TIN-LEAD	0.25 [.010] BRASS	42642-3
APPLICATOR TYPE	FINISH	MATERIAL	PART NUMBER

METRIC

THIS DRAWING IS A CONTROLLED DOCUMENT.

DIMENSIONS: mm [INCHES]	TOLERANCES UNLESS OTHERWISE SPECIFIED:	DWN: K. WHITAKER 11MAY2006		Tyco Electronics Corporation Harrisburg, PA 17105-3608
0 PLC ± -	1 PLC ± -	CHK: K. WHITAKER 11MAY2006		NAME: K. WHITAKER
2 PLC ± -	3 PLC ± 0.25 [.010]	APVD: K. WHITAKER 11MAY2006	PRODUCT SPEC: -	TERMINAL, AMP-IN(TM)
4 PLC ± -	ANGLES ± -	FINISH: -	APPLICATION SPEC: -	SIZE: A1
MATERIAL: SEE TABLE	FINISH: SEE TABLE	WEIGHT: -	RESTRICTED TO: -	SCALE: 10:1
CUSTOMER DRAWING		DATE: 11MAY2006	DRAWING NO: 00779	SHEET: 1 OF 1
		REV: AJ1	CAGE CODE: 42642	REV: AJ1