



Chipsmall Limited consists of a professional team with an average of over 10 year of expertise in the distribution of electronic components. Based in Hongkong, we have already established firm and mutual-benefit business relationships with customers from,Europe,America and south Asia,supplying obsolete and hard-to-find components to meet their specific needs.

With the principle of “Quality Parts,Customers Priority,Honest Operation,and Considerate Service”,our business mainly focus on the distribution of electronic components. Line cards we deal with include Microchip,ALPS,ROHM,Xilinx,Pulse,ON,Everlight and Freescale. Main products comprise IC,Modules,Potentiometer,IC Socket,Relay,Connector.Our parts cover such applications as commercial,industrial, and automotives areas.

We are looking forward to setting up business relationship with you and hope to provide you with the best service and solution. Let us make a better world for our industry!



## Contact us

Tel: +86-755-8981 8866 Fax: +86-755-8427 6832

Email & Skype: info@chipsmall.com Web: www.chipsmall.com

Address: A1208, Overseas Decoration Building, #122 Zhenhua RD., Futian, Shenzhen, China



149.86	[5.900]	155.04	[6.104]	156.21	[6.150]	158.34	[6.234]	59	60	<del>6-5147490-0</del>	OBSOLETE
147.32	[5.800]	152.50	[6.004]	153.67	[6.050]	155.80	[6.134]	58	59	<del>5-5147490-9</del>	
144.78	[5.700]	149.96	[5.904]	151.13	[5.950]	153.26	[6.034]	57	58	<del>5-5147490-8</del>	
142.24	[5.600]	147.42	[5.804]	148.59	[5.850]	150.72	[5.934]	56	57	<del>5-5147490-7</del>	
139.70	[5.500]	144.88	[5.704]	146.05	[5.750]	148.18	[5.834]	55	56	<del>5-5147490-6</del>	
137.16	[5.400]	142.34	[5.604]	143.51	[5.650]	145.64	[5.734]	54	55	<del>5-5147490-5</del>	
134.62	[5.300]	139.80	[5.504]	140.97	[5.550]	143.10	[5.634]	53	54	<del>5-5147490-4</del>	
132.08	[5.200]	137.26	[5.404]	138.43	[5.450]	140.56	[5.534]	52	53	<del>5-5147490-3</del>	
129.54	[5.100]	134.72	[5.304]	135.89	[5.350]	138.02	[5.434]	51	52	<del>5-5147490-2</del>	
127.00	[5.000]	132.18	[5.204]	133.35	[5.250]	135.48	[5.334]	50	51	<del>5-5147490-1</del>	
124.46	[4.900]	129.64	[5.104]	130.81	[5.150]	132.94	[5.234]	49	50	<del>5-5147490-0</del>	
121.92	[4.800]	127.10	[5.004]	128.27	[5.050]	130.40	[5.134]	48	49	<del>4-5147490-9</del>	
119.38	[4.700]	124.56	[4.904]	125.73	[4.950]	127.86	[5.034]	47	48	<del>4-5147490-8</del>	
116.84	[4.600]	122.02	[4.804]	123.19	[4.850]	125.32	[4.934]	46	47	<del>4-5147490-7</del>	
114.30	[4.500]	119.48	[4.704]	120.65	[4.750]	122.78	[4.834]	45	46	<del>4-5147490-6</del>	
111.76	[4.400]	116.94	[4.604]	118.11	[4.650]	120.24	[4.734]	44	45	<del>4-5147490-5</del>	
109.22	[4.300]	114.40	[4.504]	115.57	[4.550]	117.70	[4.634]	43	44	<del>4-5147490-4</del>	
106.68	[4.200]	111.86	[4.404]	113.03	[4.450]	115.16	[4.534]	42	43	<del>4-5147490-3</del>	
104.14	[4.100]	109.32	[4.304]	110.49	[4.350]	112.62	[4.434]	41	42	<del>4-5147490-2</del>	
101.60	[4.000]	106.78	[4.204]	107.95	[4.250]	110.08	[4.334]	40	41	<del>4-5147490-1</del>	
99.06	[3.900]	104.24	[4.104]	105.41	[4.150]	107.54	[4.234]	39	40	<del>4-5147490-0</del>	
96.52	[3.800]	101.70	[4.004]	102.87	[4.050]	105.00	[4.134]	38	39	<del>3-5147490-9</del>	
93.98	[3.700]	99.16	[3.904]	100.33	[3.950]	102.46	[4.034]	37	38	<del>3-5147490-8</del>	
91.44	[3.600]	96.62	[3.804]	97.79	[3.850]	99.92	[3.934]	36	37	<del>3-5147490-7</del>	
88.90	[3.500]	94.08	[3.704]	95.25	[3.750]	97.38	[3.834]	35	36	<del>3-5147490-6</del>	
86.36	[3.400]	91.54	[3.604]	92.71	[3.650]	94.84	[3.734]	34	35	<del>3-5147490-5</del>	
83.82	[3.300]	89.00	[3.504]	90.17	[3.550]	92.30	[3.634]	33	34	<del>3-5147490-4</del>	
81.28	[3.200]	86.46	[3.404]	87.63	[3.450]	89.76	[3.534]	32	33	<del>3-5147490-3</del>	
78.74	[3.100]	83.92	[3.304]	85.09	[3.350]	87.22	[3.434]	31	32	<del>3-5147490-2</del>	
76.20	[3.000]	81.38	[3.204]	82.55	[3.250]	84.68	[3.334]	30	31	<del>3-5147490-1</del>	
73.66	[2.900]	78.84	[3.104]	80.01	[3.150]	82.14	[3.234]	29	30	<del>3-5147490-0</del>	
71.12	[2.800]	76.30	[3.004]	77.47	[3.050]	79.60	[3.134]	28	29	<del>2-5147490-9</del>	
68.58	[2.700]	73.76	[2.904]	74.93	[2.950]	77.06	[3.034]	27	28	<del>2-5147490-8</del>	
66.04	[2.600]	71.22	[2.804]	72.39	[2.850]	74.52	[2.934]	26	27	<del>2-5147490-7</del>	
63.50	[2.500]	68.68	[2.704]	69.85	[2.750]	71.98	[2.834]	25	26	<del>2-5147490-6</del>	
60.96	[2.400]	66.14	[2.604]	67.31	[2.650]	69.44	[2.734]	24	25	<del>2-5147490-5</del>	
58.42	[2.300]	63.60	[2.504]	64.77	[2.550]	66.90	[2.634]	23	24	<del>2-5147490-4</del>	
55.88	[2.200]	61.06	[2.404]	62.23	[2.450]	64.36	[2.534]	22	23	<del>2-5147490-3</del>	
53.34	[2.100]	58.52	[2.304]	59.69	[2.350]	61.82	[2.434]	21	22	<del>2-5147490-2</del>	
50.80	[2.000]	55.98	[2.204]	57.15	[2.250]	59.28	[2.334]	20	21	<del>2-5147490-1</del>	
48.26	[1.900]	53.44	[2.104]	54.61	[2.150]	56.74	[2.234]	19	20	<del>2-5147490-0</del>	
45.72	[1.800]	50.90	[2.004]	52.07	[2.050]	54.20	[2.134]	18	19	<del>1-5147490-9</del>	
43.18	[1.700]	48.36	[1.904]	49.53	[1.950]	51.66	[2.034]	17	18	<del>1-5147490-8</del>	
40.64	[1.600]	45.82	[1.804]	46.99	[1.850]	49.12	[1.934]	16	17	<del>1-5147490-7</del>	
38.10	[1.500]	43.28	[1.704]	44.45	[1.750]	46.58	[1.834]	15	16	<del>1-5147490-6</del>	
35.56	[1.400]	40.74	[1.604]	41.91	[1.650]	44.04	[1.734]	14	15	<del>1-5147490-5</del>	
33.02	[1.300]	38.20	[1.504]	39.37	[1.550]	41.50	[1.634]	13	14	<del>1-5147490-4</del>	
30.48	[1.200]	35.66	[1.404]	36.83	[1.450]	38.96	[1.534]	12	13	<del>1-5147490-3</del>	
27.94	[1.100]	33.12	[1.304]	34.29	[1.350]	36.42	[1.434]	11	12	<del>1-5147490-2</del>	
25.40	[1.000]	30.58	[1.204]	31.75	[1.250]	33.88	[1.334]	10	11	<del>1-5147490-1</del>	
22.86	[.900]	28.04	[1.104]	29.21	[1.150]	31.34	[1.234]	9	10	<del>1-5147490-0</del>	
	D	C	B	A	X	POSN	PART NO				

△ OBSOLETE

△ OBSOLETE

△ OBSOLETE

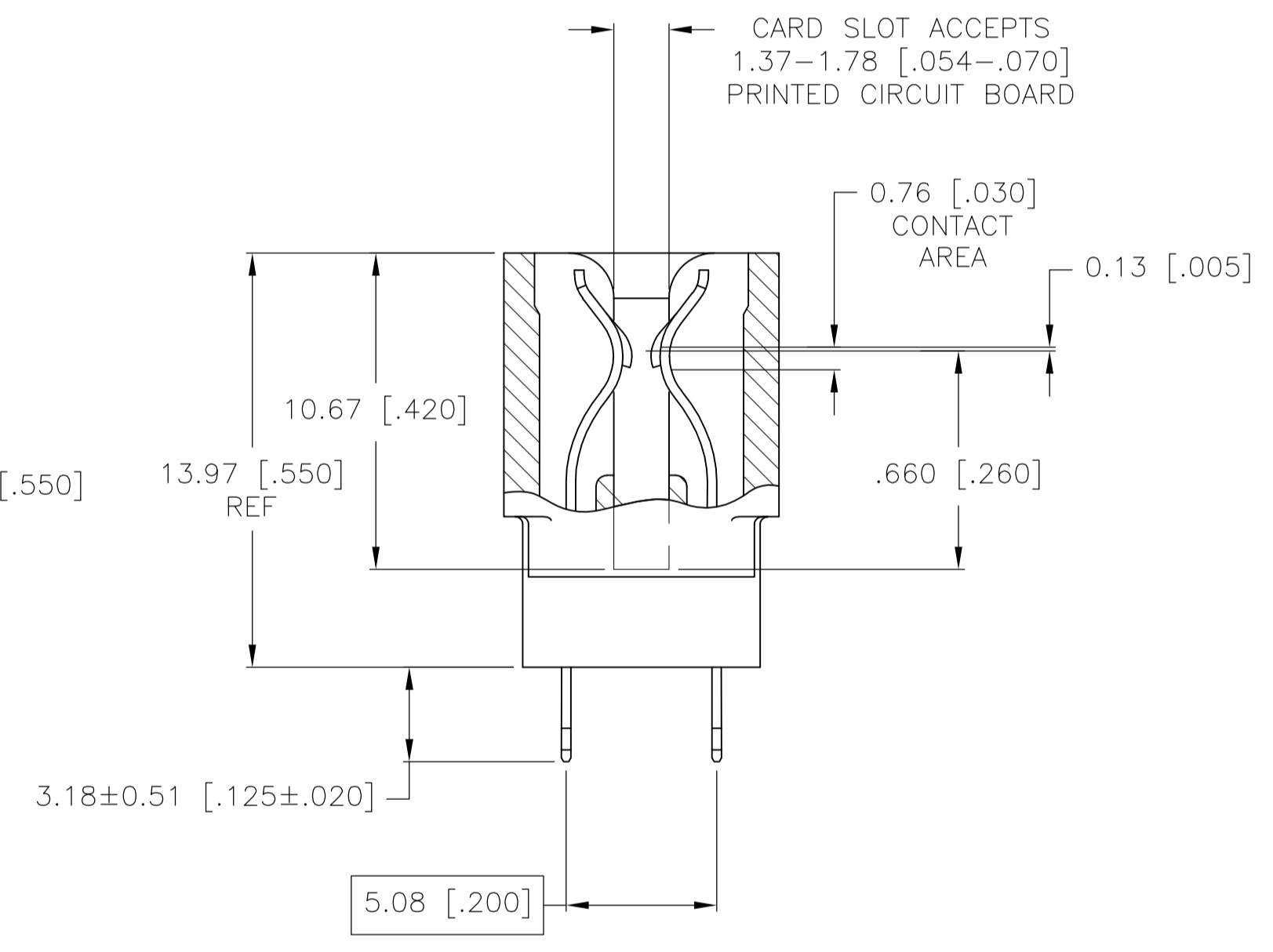
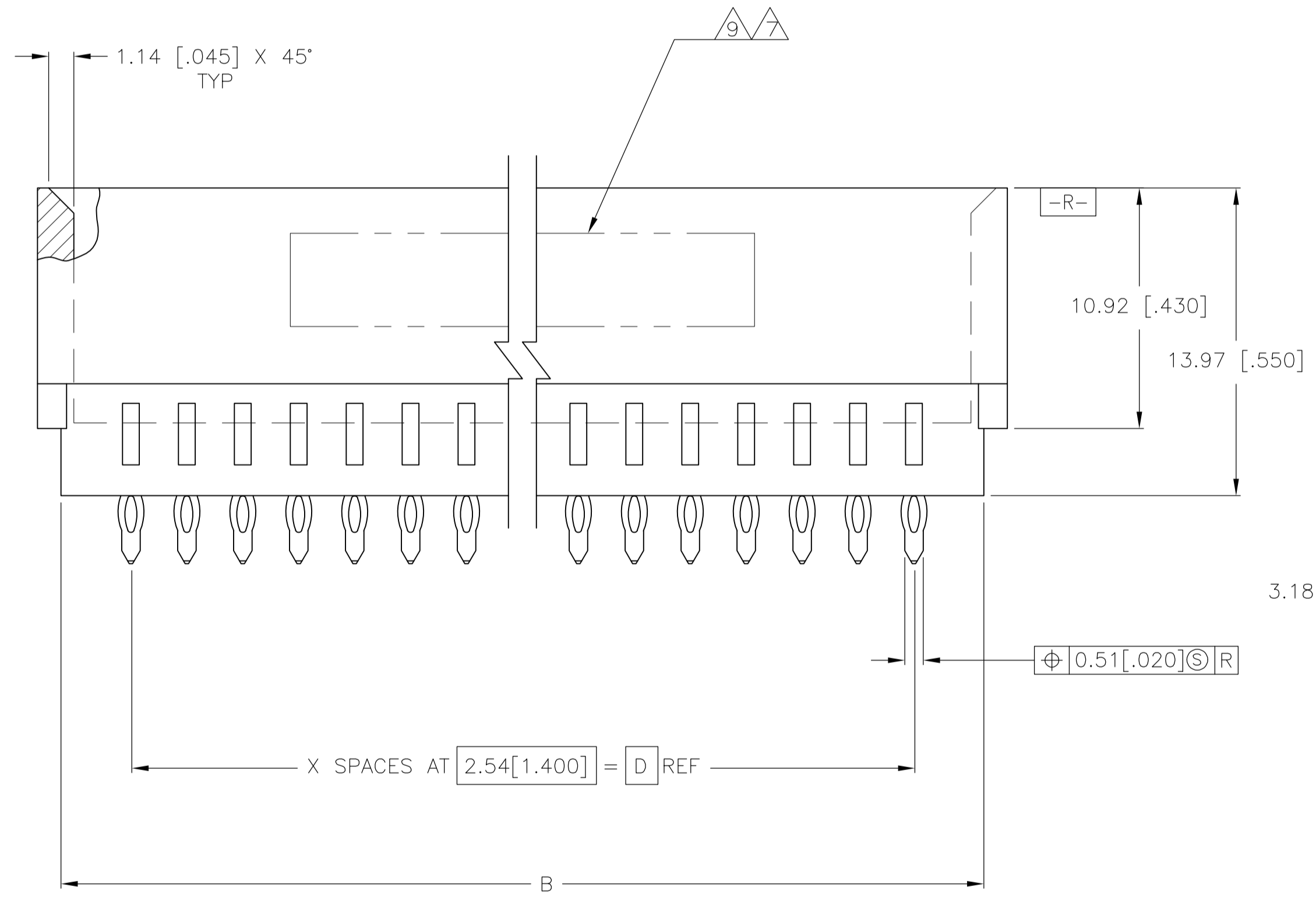
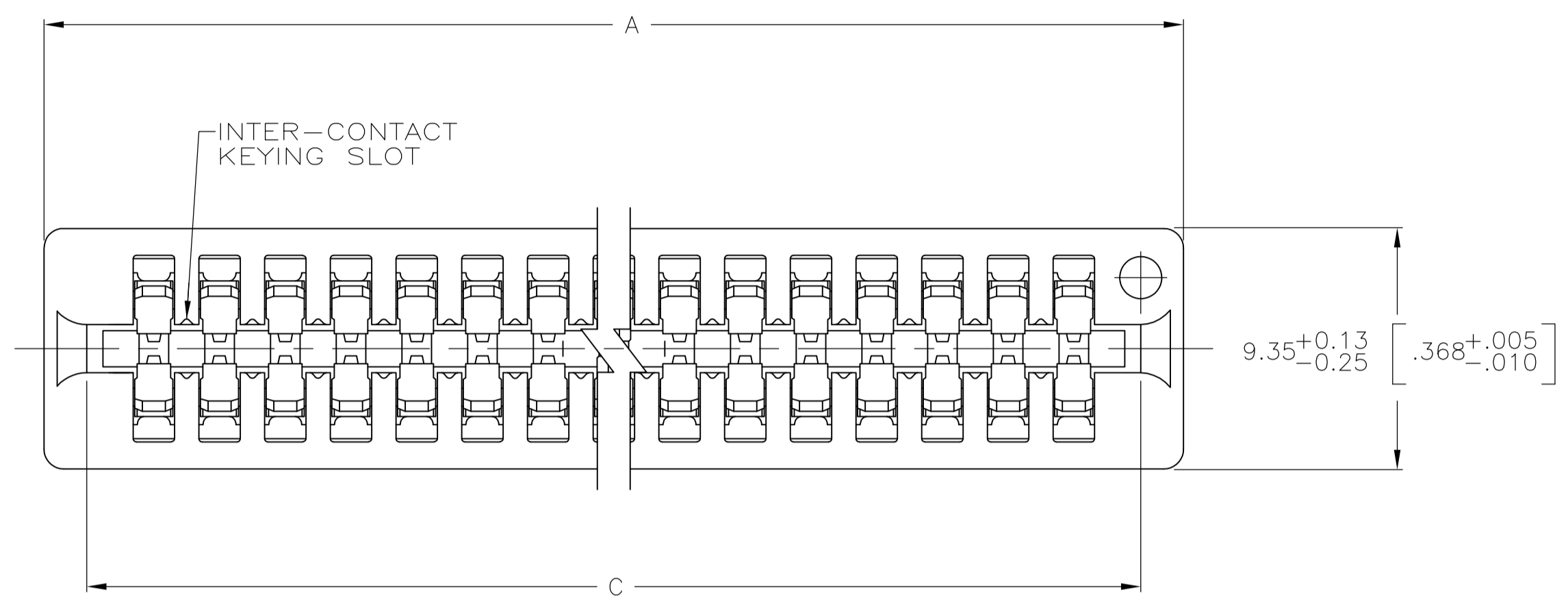
△ OBSOLETE

△ OBSOLETE

△ OBSOLETE

- △ 1 HOUSING: GLASS FILLED POLYESTER; COLOR: BLACK.
- △ 2 CONTACT: PHOSPHOR BRONZE.
- △ 3 NICKEL PLATE: 0.00127 [.000050] MIN - ALL OVER.
- △ 4 MATTE TIN PLATE: 0.00254 [.000100] MIN - SOLDER POSTS.
- △ 5 GOLD PLATE: 0.00076 [.000030] MIN - CONTACT AREA.
- △ 6 NICKEL PLATE PER MIL-G-45204.  
GOLD PLATE PER QQ-N-290.
- △ 7 TE PART NUMBER, DATE CODE AND CSA LOGO MAY BE MARKED IN APPROXIMATE AREA SHOWN, EITHER SIDE.
- 8 RECOMMENDED PCB FINISHED HOLE DIA: 1.02±0.08[.040±.003].
- △ 9 COUNTRY OF ORIGIN MAY BE MARKED IN APPROXIMATE AREA SHOWN, EITHER SIDE.
- △ 10 OBSOLETE PARTS: OBSOLETE CIS STREAMLINING PER D.RENAUD/D.SINISI

THIS DRAWING IS A CONTROLLED DOCUMENT.		DIN R BROWN 14MAR05		TE Connectivity	
DIMENSIONS: mm [INCHES]		CHK M MILLER 14MAR05			
TOLERANCES UNLESS OTHERWISE SPECIFIED:		APVD M MILLER 14MAR05		NAME	
0 PLC ± - 1 PLC ± - 2 PLC ± .13 [.005] 3 PLC ± - 4 PLC ± - ANGLES ± -		APPLICATION SPEC		CONNECTOR ASSEMBLY, NEXT GENERATION PACE, 2.54 [.100] CL	
MATERIAL		FINISH		SIZE CASE CODE DRAWING NO	
△ 1 △ 2		△ 3 △ 4 △ 5 △ 6		A1 00779 5147490	
CUSTOMER DRAWING		SCALE 1:1		SHEET 1 OF 2 REV R	



THIS DRAWING IS A CONTROLLED DOCUMENT.		DIN R BROWN 14MAR05 CHK M MILLER 14MAR05 APVD M MILLER 14MAR05	
DIMENSIONS: mm [INCHES]	TOLERANCES UNLESS OTHERWISE SPECIFIED: 0. PLC ± - 1. PLC ± - 2. PLC ± .13 [.005] 3. PLC ± - 4. PLC ± - ANGLES ± -	NAME CONNECTOR ASSEMBLY, NEXT GENERATION PACE, 2.54 [.100] CL	SIZE A1
MATERIAL 	FINISH 	APPLICATION SPEC WEIGHT CUSTOMER DRAWING	DRAWING NO 00779 C=5147490 SCALE 1:1 SHEET 2 OF 2 REV R