



Chipsmall Limited consists of a professional team with an average of over 10 year of expertise in the distribution of electronic components. Based in Hongkong, we have already established firm and mutual-benefit business relationships with customers from,Europe,America and south Asia,supplying obsolete and hard-to-find components to meet their specific needs.

With the principle of “Quality Parts,Customers Priority,Honest Operation,and Considerate Service”,our business mainly focus on the distribution of electronic components. Line cards we deal with include Microchip,ALPS,ROHM,Xilinx,Pulse,ON,Everlight and Freescale. Main products comprise IC,Modules,Potentiometer,IC Socket,Relay,Connector.Our parts cover such applications as commercial,industrial, and automotives areas.

We are looking forward to setting up business relationship with you and hope to provide you with the best service and solution. Let us make a better world for our industry!



Contact us

Tel: +86-755-8981 8866 Fax: +86-755-8427 6832

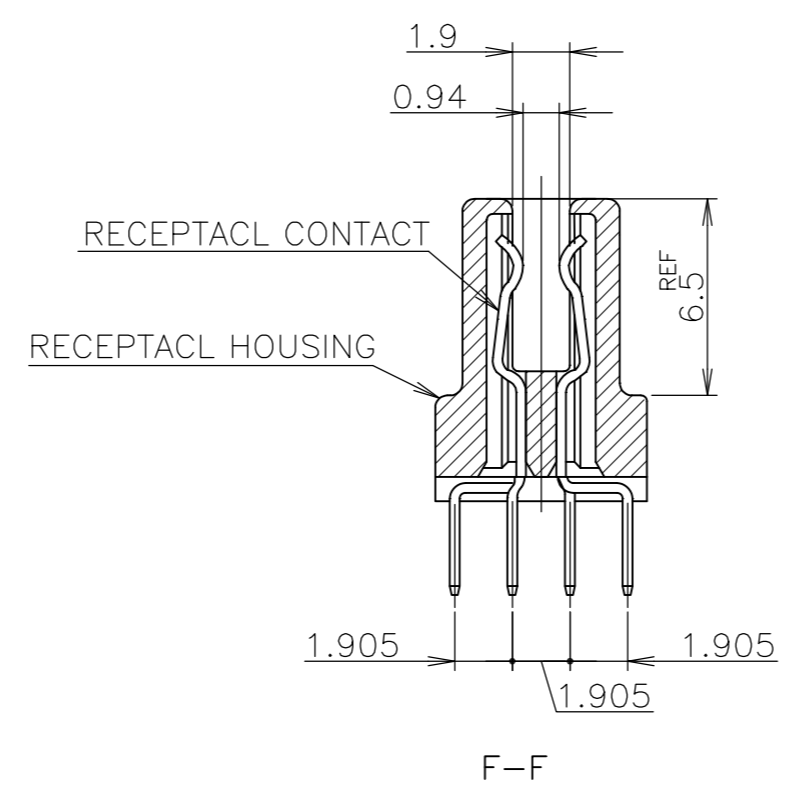
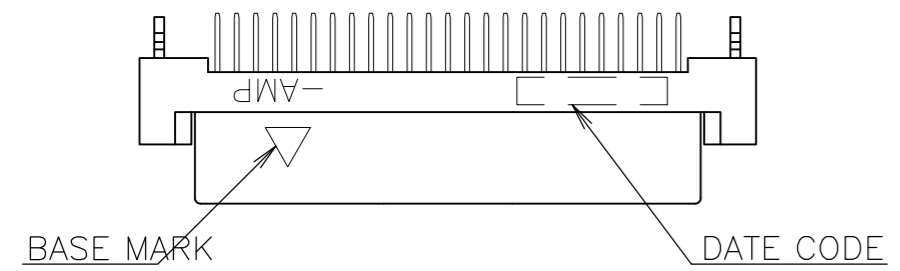
Email & Skype: info@chipsmall.com Web: www.chipsmall.com

Address: A1208, Overseas Decoration Building, #122 Zhenhua RD., Futian, Shenzhen, China

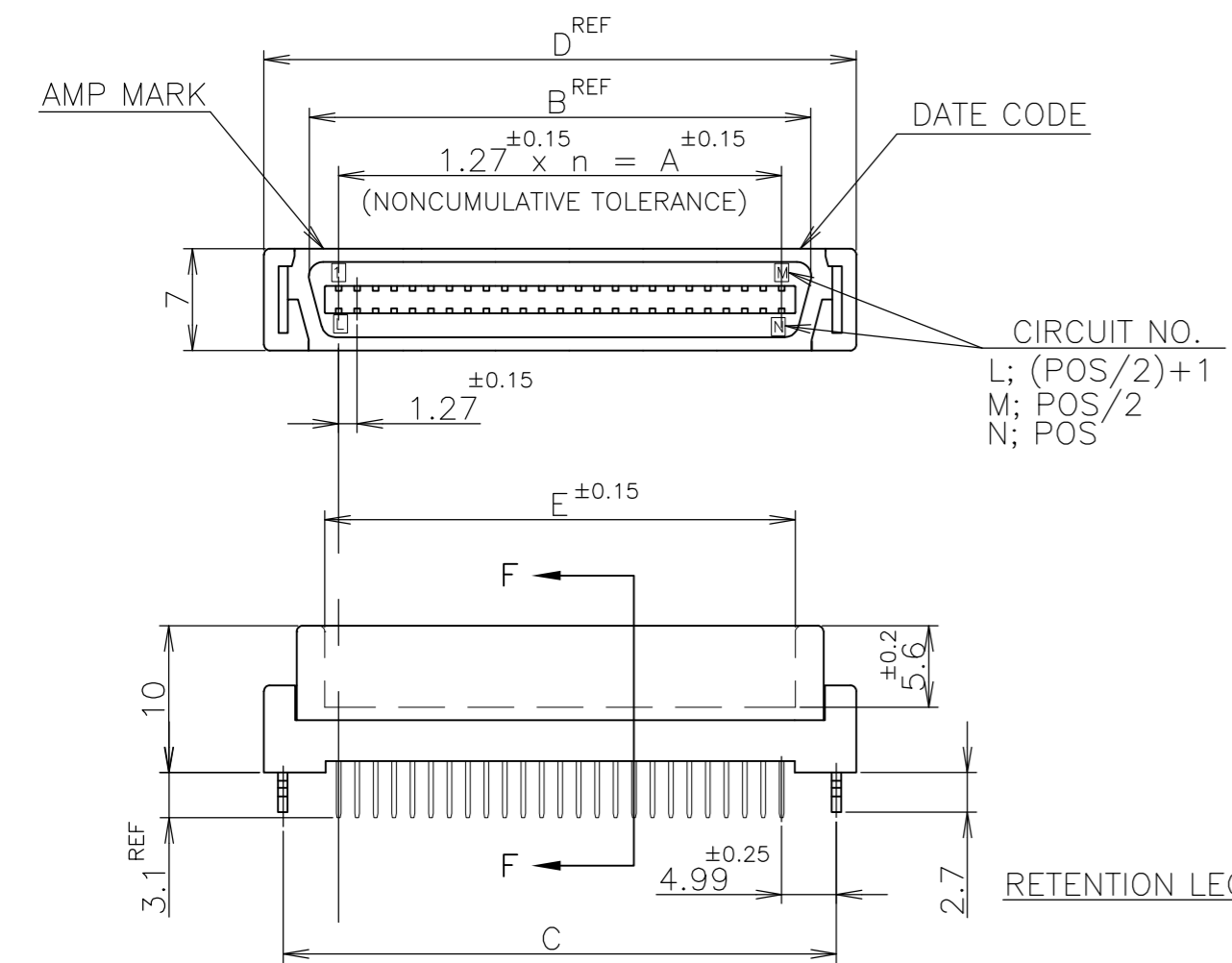


THIS DRAWING IS UNPUBLISHED. RELEASED FOR PUBLICATION OCT., 1988.
 © COPYRIGHT 1988 By - ALL RIGHTS RESERVED.

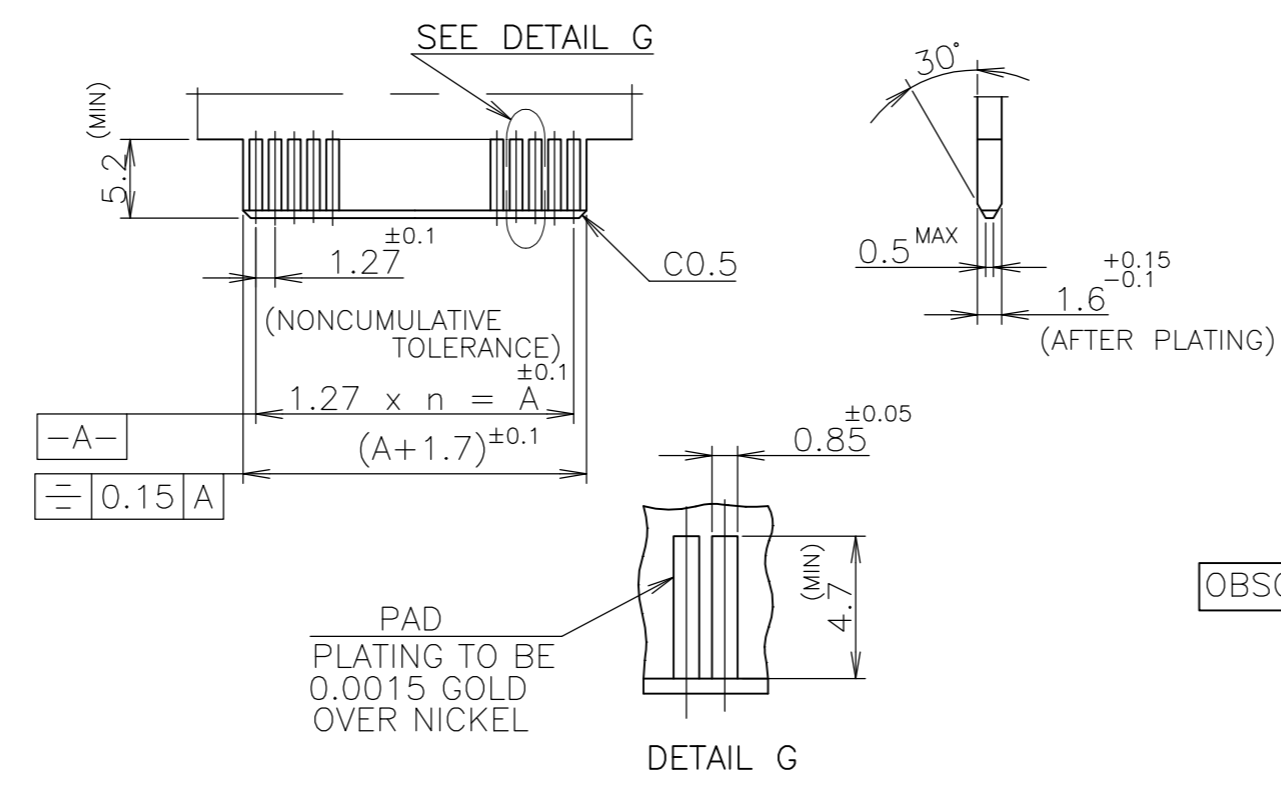
| LOC | | DIST | | REVISIONS | | | | |
|-----|-----|-------------------|--|-----------|---------|-----|------|--|
| P | LTR | DESCRIPTION | | | DATE | DWN | APVD | |
| | B | PER ECO-12-012349 | | | 14MAR13 | BL | AC | |



- 1 NUMBER "n" IS COUNTED FROM DATUM (CIRCUIT NO.1 IS "AMP" MARK SIDE.)
- ⚠ MATERIAL: HOUSING, 66 NYLON (GF) UL 94V-0, BLACK.
: CONTACT, PHOSPHOR BRONZE.
: RETENTION LEG; BRASS.
- ⚠ FINISH: CONTACT; Au AT CONTACT AREA (SEE TABLE),
TIN AT TINE, OVER Ni.
RETENTION LEG; TIN UNDER Ni.
- ⚠ P.C. BOARD THK MUST BE 1.6 ±0.15 FOR CARD EDGE CONNECTOR



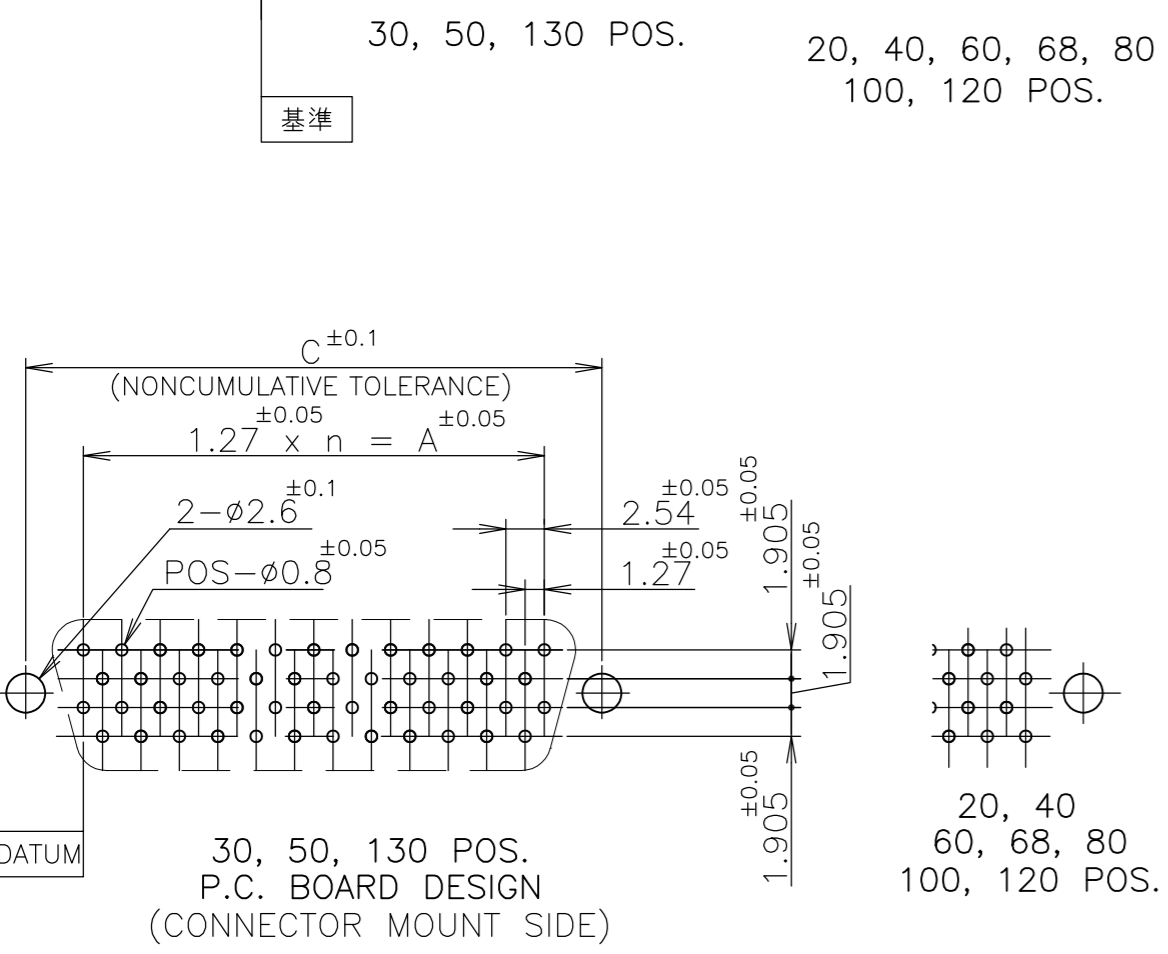
| POS. | n | A | B | C | D | E |
|-----------|--------|-----|----|-------|-------|-------|
| 6- | -2 | 130 | 64 | 81.28 | 86.82 | 91.25 |
| 6- | -1 | 120 | 59 | 74.93 | 80.47 | 84.90 |
| 6- | -0 | 100 | 49 | 62.23 | 67.77 | 72.20 |
| 5- | -9 | 80 | 39 | 49.53 | 55.07 | 59.50 |
| 5- | -8 | 68 | 33 | 41.91 | 47.45 | 51.88 |
| 5- | -7 | 60 | 29 | 36.83 | 42.37 | 46.80 |
| 5- | -6 | 50 | 24 | 30.48 | 36.02 | 40.45 |
| 5- | -5 | 40 | 19 | 24.13 | 29.67 | 34.10 |
| 5- | -3 | 30 | 14 | 17.78 | 23.32 | 27.75 |
| 5- | -1 | 20 | 9 | 11.43 | 16.97 | 21.40 |
| 4- | -2 | 130 | 64 | 81.28 | 86.82 | 91.25 |
| 4- | -1 | 120 | 59 | 74.93 | 80.47 | 84.90 |
| 4- | -0 | 100 | 49 | 62.23 | 67.77 | 72.20 |
| 3- | -9 | 80 | 39 | 49.53 | 55.07 | 59.50 |
| 3- | -8 | 68 | 33 | 41.91 | 47.45 | 51.88 |
| 3- | -7 | 60 | 29 | 36.83 | 42.37 | 46.80 |
| 3- | -6 | 50 | 24 | 30.48 | 36.02 | 40.45 |
| 3- | -5 | 40 | 19 | 24.13 | 29.67 | 34.10 |
| 3- | -3 | 30 | 14 | 17.78 | 23.32 | 27.75 |
| 3- | -1 | 20 | 9 | 11.43 | 16.97 | 21.40 |
| 1- | -2 | 130 | 64 | 81.28 | 86.82 | 91.25 |
| 1- | -1 | 120 | 59 | 74.93 | 80.47 | 84.90 |
| 1- | -0 | 100 | 49 | 62.23 | 67.77 | 72.20 |
| | -9 | 80 | 39 | 49.53 | 55.07 | 59.50 |
| | -8 | 68 | 33 | 41.91 | 47.45 | 51.88 |
| | -7 | 60 | 29 | 36.83 | 42.37 | 46.80 |
| | -6 | 50 | 24 | 30.48 | 36.02 | 40.45 |
| | -5 | 40 | 19 | 24.13 | 29.67 | 34.10 |
| | -3 | 30 | 14 | 17.78 | 23.32 | 27.75 |
| 5175475-1 | 0.0002 | 20 | 9 | 11.43 | 16.97 | 21.40 |



RECOMMENDED P.C. BOARD DIMENSIONS.

LEAD FREE

GENERAL TOLERANCE
 10 ≥ : ±0.2
 30 ≥ > 10: ±0.25
 100 ≥ > 30: ±0.3
 ANGLES: ±3°



THIS DRAWING IS A CONTROLLED DOCUMENT.

| | | |
|------------------------------|-------------------------|---|
| DWN: Julyee Zhu 20AUG2004 | NAME: Steven Yao | TE Connectivity |
| CHK: Steven Yao 20AUG2004 | NAME: Ikuo Enomoto | |
| APVD: Ikuo Enomoto 20AUG2004 | PRODUCT SPEC: 108-60038 | AMP CHAMP .050 CONNECTOR (B-T-B) RECEPTACLE CONNECTOR (VERTICAL WITH RETENTION LEG) |
| MATERIAL: 2 | FINISH: 3 | SIZE: A2 CAGE CODE: 00779 DRAWING NO: 5175475 |
| CUSTOMER DRAWING | | SCALE: NTS SHEET: 1 OF 1 REV: B |