



Chipsmall Limited consists of a professional team with an average of over 10 year of expertise in the distribution of electronic components. Based in Hongkong, we have already established firm and mutual-benefit business relationships with customers from,Europe,America and south Asia,supplying obsolete and hard-to-find components to meet their specific needs.

With the principle of “Quality Parts,Customers Priority,Honest Operation,and Considerate Service”,our business mainly focus on the distribution of electronic components. Line cards we deal with include Microchip,ALPS,ROHM,Xilinx,Pulse,ON,Everlight and Freescale. Main products comprise IC,Modules,Potentiometer,IC Socket,Relay,Connector.Our parts cover such applications as commercial,industrial, and automotives areas.

We are looking forward to setting up business relationship with you and hope to provide you with the best service and solution. Let us make a better world for our industry!



Contact us

Tel: +86-755-8981 8866 Fax: +86-755-8427 6832

Email & Skype: info@chipsmall.com Web: www.chipsmall.com

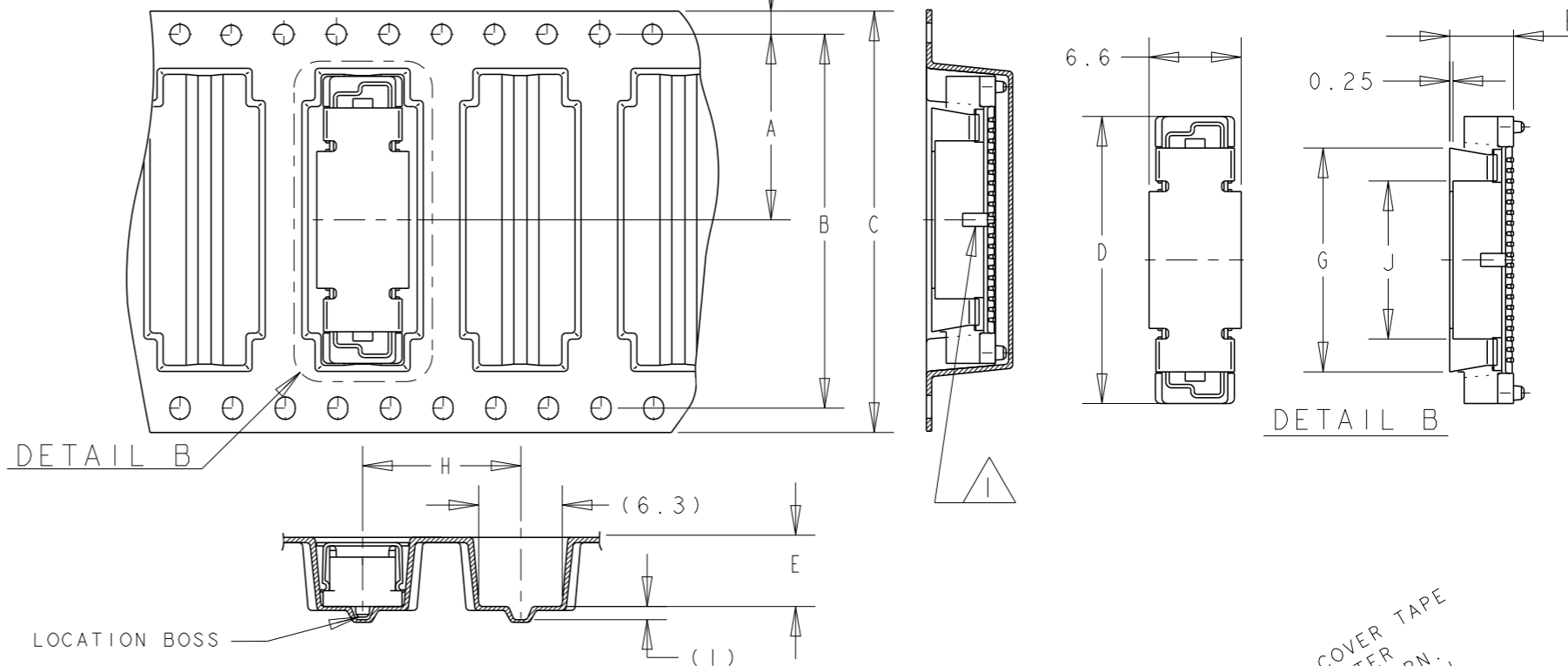
Address: A1208, Overseas Decoration Building, #122 Zhenhua RD., Futian, Shenzhen, China



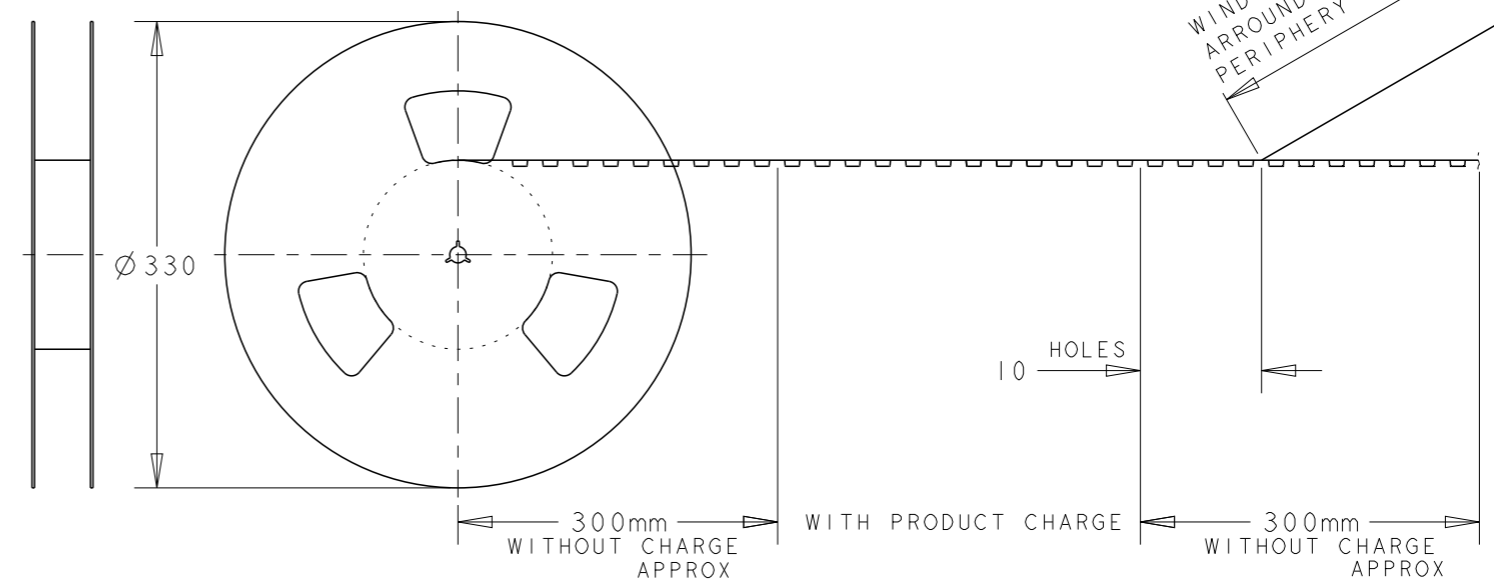
Notes:

- 1 CUTOUT FEATURE AVAILABLE ONLY ON 5H ASSY P/N -1 (40P) AND -2 (60P).
- 2 0.00038 MIN GOLD PLATING (15u INCHES GOLD PLATING)

DIRECTION OFF TOP OF REEL



REMARKS	QTY	HEIGHT TYPE	J	H	G	F	E	D	C	B	A	POS	CONN	P/N	PART NO.	
0.00076 MIN GOLD PLATING (30u INCHES GOLD PLATING)	450							61.8	88	84.4	42.2	140	1-	-6	7-	-6
								53.8				120	1-	-5	7-	-5
		16						45.8	72	68.4	34.2	100	1-	-4	7-	-4
								37.8	56	52.4	26.2	80	1-	-3	7-	-3
								29.8	44	40.4	20.2	60	1-	-2	7-	-2
	700	7H	12		6.85	7.25	21.8	32	28.4	14.2	40		1-5179030-1	7-5177986-1		
								69.8				160		-8	6-	-8
								61.8	88	84.4	42.2	140		-6	6-	-6
								53.8				120		-5	6-	-5
		16						45.8	72	68.4	34.2	100		-4	6-	-4
								37.8	56	52.4	26.2	80		-3	6-	-3
								29.8	44	40.4	20.2	60		-2	6-	-2
800	6H	12		5.85	6.25	21.8	32	28.4	14.2	40		5084615-1	6-5177986-1			
							85.8	104	100.4	50.2	200	1-	-0	5-	-0	
							69.8				160		-8	5-	-8	
							61.8	88	84.4	42.2	140		-6	5-	-6	
							53.8				120		-5	5-	-5	
	16						45.8	72	68.4	34.2	100		-4	5-	-4	
							37.8	56	52.4	26.2	80		-3	5-	-3	
							29.8	44	40.4	20.2	60		-2	5-	-2	
900	5H	12	12	17	4.85	5.25	21.8	32	28.4	14.2	40		5084614-1	5-5177986-1		
							85.8				200	1-	-0	4-	-0	
							77.8	104	100.4	50.2	180		-9	3-	-9	
							69.8				160		-8	3-	-8	
							61.8	88	84.4	42.2	140		-6	3-	-6	
							53.8				120		-5	3-	-5	
	16						45.8	72	68.4	34.2	100		-4	3-	-4	
							37.8	56	52.4	26.2	80		-3	3-	-3	
							29.8	44	40.4	20.2	60		-2	3-	-2	
400							85.8				200	1-	-0	3-	-0	
							77.8	104	100.4	50.2	180		-9	2-	-9	
							69.8				160		-8	2-	-8	
							61.8	88	84.4	42.2	140		-6	2-	-6	
							53.8				120		-5	2-	-5	
	16						45.8	72	68.4	34.2	100		-4	2-	-4	
							37.8	56	52.4	26.2	80		-3	2-	-3	
							29.8	44	40.4	20.2	60		-2	2-	-2	
600	8H	12		7.85	8.25	21.8	32	28.4	14.2	40		5179031-1	3-5177986-1			
							85.8				200	1-	-0	3-	-0	
							77.8	104	100.4	50.2	180		-9	2-	-9	
							69.8				160		-8	2-	-8	
							61.8	88	84.4	42.2	140		-6	2-	-6	
							53.8				120		-5	2-	-5	
	16						45.8	72	68.4	34.2	100		-4	2-	-4	
							37.8	56	52.4	26.2	80		-3	2-	-3	
							29.8	44	40.4	20.2	60		-2	2-	-2	
450							85.8				200	1-	-0	3-	-0	
							77.8	104	100.4	50.2	180		-9	2-	-9	
							69.8				160		-8	2-	-8	
							61.8	88	84.4	42.2	140		-6	2-	-6	
							53.8				120		-5	2-	-5	
	16						45.8	72	68.4	34.2	100		-4	2-	-4	
							37.8	56	52.4	26.2	80		-3	2-	-3	
							29.8	44	40.4	20.2	60		-2	2-	-2	
700	7H	12		6.85	7.25	21.8	32	28.4	14.2	40		5179030-1	2-5177986-1			
							61.8	88	84.4	42.2	140		-6	1-	-6	
							53.8				120		-5	1-	-5	
							45.8	72	68.4	34.2	100		-4	1-	-4	
							37.8	56	52.4	26.2	80		-3	1-	-3	
							29.8	44	40.4	20.2	60		-2	1-	-2	
550							85.8				160		-8	1-	-8	
							69.8				120		-6	1-	-6	
							61.8	88	84.4	42.2	140		-5	1-	-5	
							53.8				120		-4	1-	-4	
	16						45.8	72	68.4	34.2	100		-3	1-	-3	
							37.8	56	52.4	26.2	80		-2	1-	-2	
800	6H	12		5.85	6.25	21.8	32	28.4	14.2	40		5179029-1	1-5177986-1			
							69.8				160		-8	1-	-8	
							61.8	88	84.4	42.2	140		-6	1-	-6	
							53.8				120		-5	1-	-5	
							45.8	72	68.4	34.2	100		-4	1-	-4	
							37.8	56	52.4	26.2	80		-3	1-	-3	
							29.8	44	40.4	20.2	60		-2	1-	-2	
900	5H	12	12	17	4.85	5.25	21.8	32	28.4	14.2	40		5177984-1	5177986-1		
							85.8				200		-8	1-	-8	
							77.8	104	100.4	50.2	180		-6	1-	-6	
							69.8				160		-5	1-	-5	
							61.8	88	84.4	42.2	140		-4	1-	-4	
							53.8				120		-3	1-	-3	
							45.8	72	68.4	34.2	100		-2	1-	-2	



THIS DRAWING IS A CONTROLLED DOCUMENT.		DWN FLORENCE TAN 30AUG04	STE TE Connectivity	
DIMENSIONS: mm		CHK ERIC TNG 30MAY2012		
TOLERANCES UNLESS OTHERWISE SPECIFIED:		APVD SF LEONG 30MAY2012	NAME PLUG ASSEMBLY (0.5 BOSS LENGTH) FOR FH 0.8 B-T-B CONN. ON TAPING	
0 PLC ±0.3		PRODUCT SPEC 108-5390	SIZE A3	
1 PLC ±0.25		APPLICATION SPEC 114-5254	CAGE CODE 00779	DRAWING NO C-5177986
2 PLC ±0.2		WEIGHT -	RESTRICTED TO -	
3 PLC ±0.2		CUSTOMER DRAWING	SCALE 2:1	SHEET 1 OF 1
4 PLC ANGLES ±3°			REV E2	
FINISH -				