



Chipsmall Limited consists of a professional team with an average of over 10 year of expertise in the distribution of electronic components. Based in Hongkong, we have already established firm and mutual-benefit business relationships with customers from,Europe,America and south Asia,supplying obsolete and hard-to-find components to meet their specific needs.

With the principle of “Quality Parts,Customers Priority,Honest Operation,and Considerate Service”,our business mainly focus on the distribution of electronic components. Line cards we deal with include Microchip,ALPS,ROHM,Xilinx,Pulse,ON,Everlight and Freescale. Main products comprise IC,Modules,Potentiometer,IC Socket,Relay,Connector.Our parts cover such applications as commercial,industrial, and automotives areas.

We are looking forward to setting up business relationship with you and hope to provide you with the best service and solution. Let us make a better world for our industry!



Contact us

Tel: +86-755-8981 8866 Fax: +86-755-8427 6832

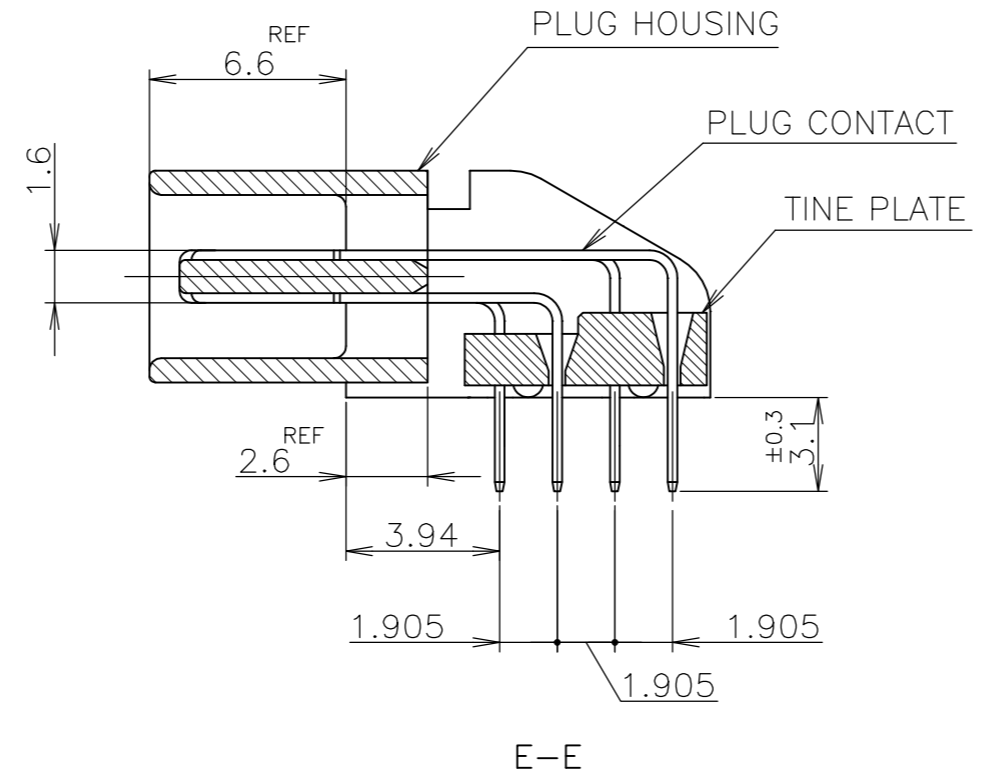
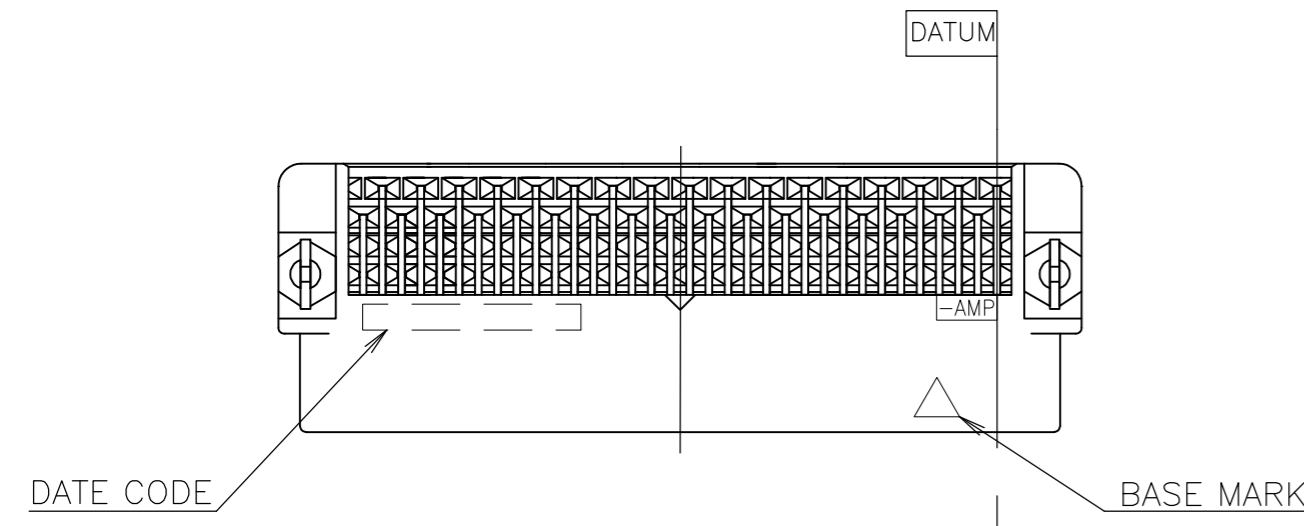
Email & Skype: info@chipsmall.com Web: www.chipsmall.com

Address: A1208, Overseas Decoration Building, #122 Zhenhua RD., Futian, Shenzhen, China

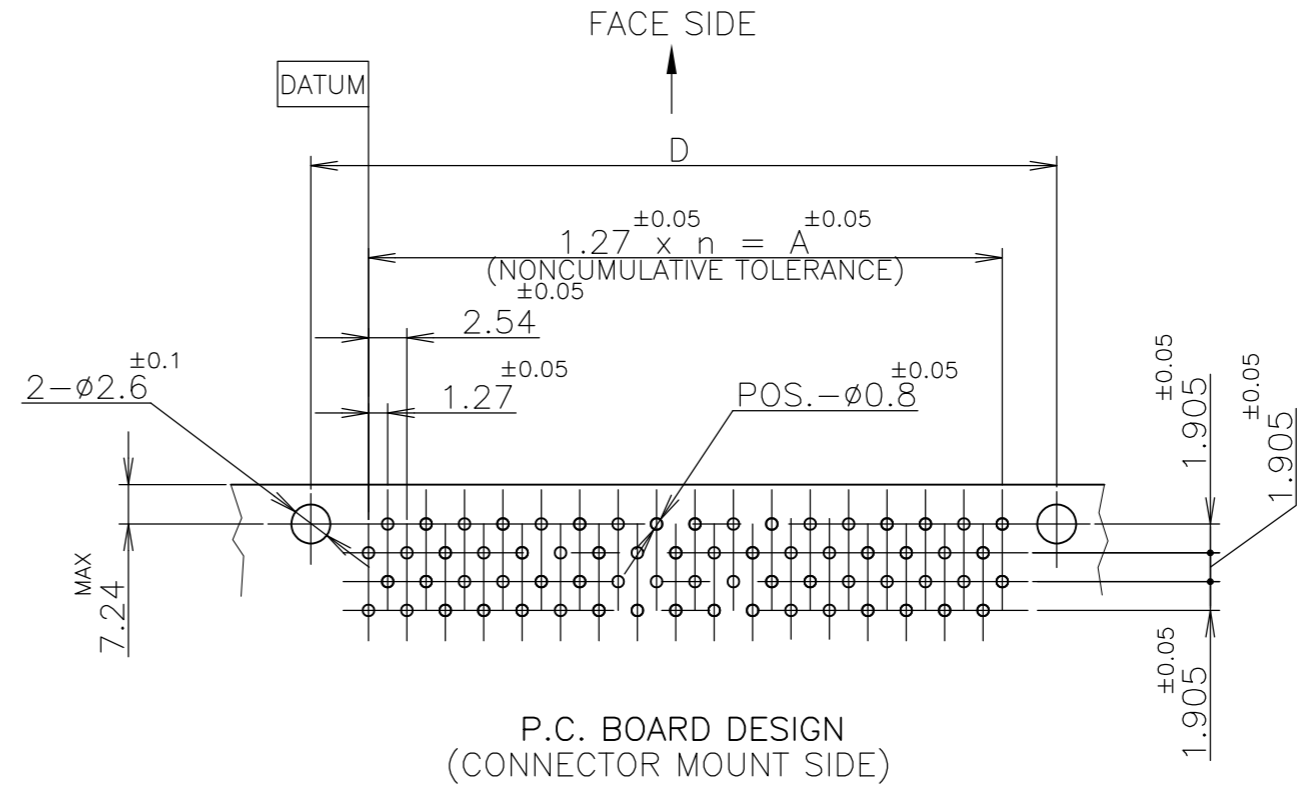
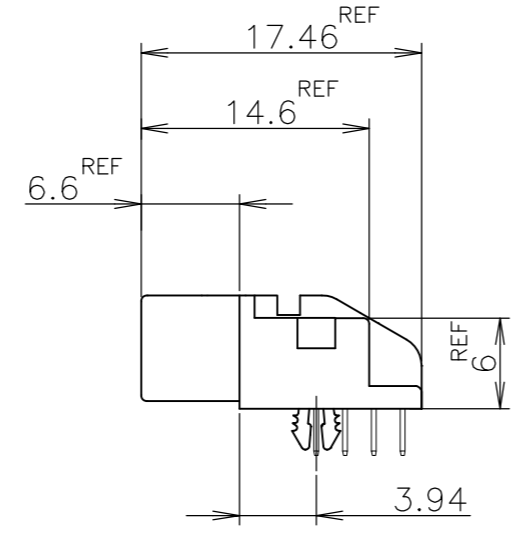
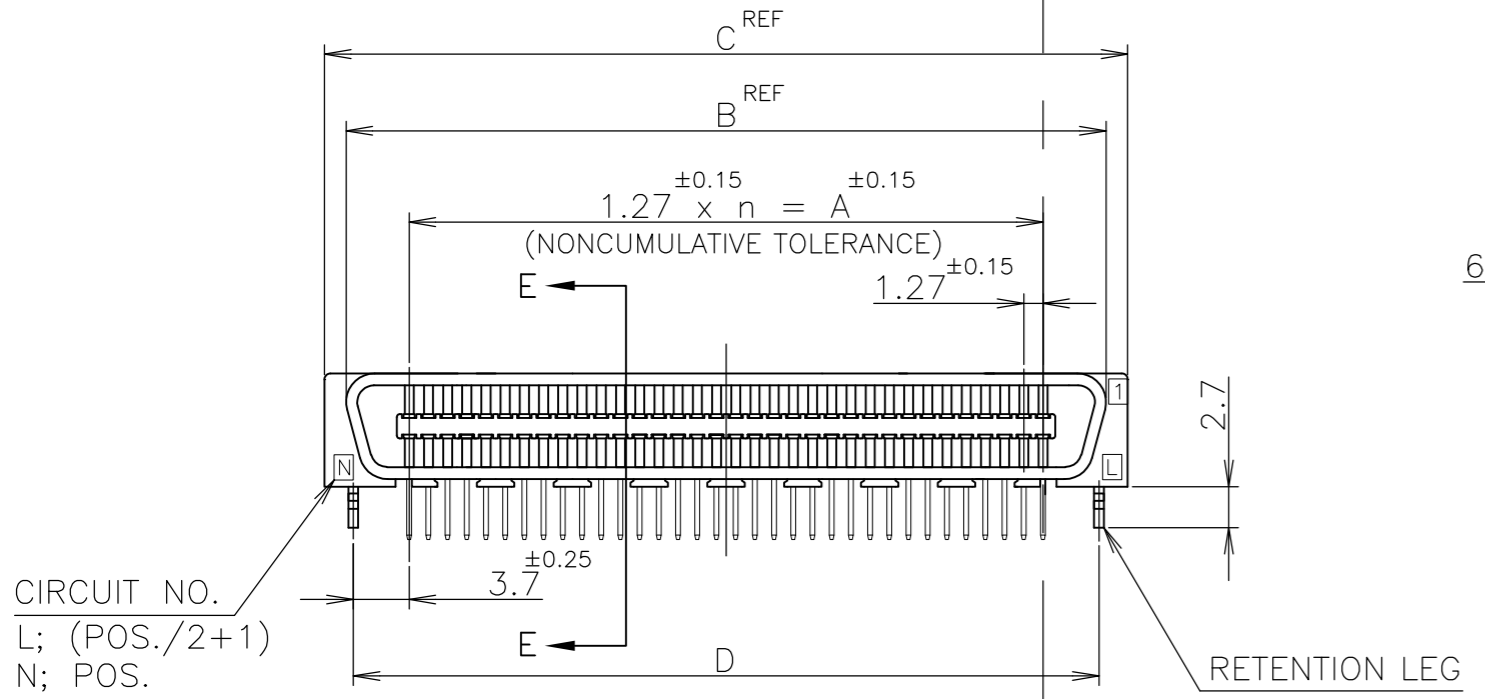


THIS DRAWING IS UNPUBLISHED. RELEASED FOR PUBLICATION AUG, 1993.
 © COPYRIGHT 1993 By - ALL RIGHTS RESERVED.

LOC		DIST		REVISIONS			
ES	00	P	LTR	DESCRIPTION	DATE	DWN	APVD
		A		RELEASE PER ECO-12-012349	28MAR13	BL	AC



- 1 NUMBER "n" IS COUNTED FROM DATUM (CIRCUIT NO.1 IS "AMP" MARK SIDE.)
- △ MATERIAL: HOUSING, 66 NYLON (GF) UL 94V-0, BLACK.
: CONTACT, PHOSPHOR BRONZE.
: RETENTION LEG; BRASS.
- △ FINISH: CONTACT; Au AT CONTACT AREA (SEE TABLE),
TIN AT TINE, OVER Ni.
RETENTION LEG; TIN UNDER Ni.
- 4 SIF-200 ALL OVER.



CIRCUIT NO.
L: (POS./2+1)
N: POS.

LEAD FREE

GENERAL TOLERANCE

10 ≥ : ±0.2
30 ≥ > 10: ±0.25
100 ≥ > 30: ±0.3
ANGLES: ±3'

4-	-1		120	59	74.93	83.27	86.13	82.33
3-	-9		80	39	49.53	57.87	60.73	56.93
3-5179275-8		0.0005	68	33	41.91	50.25	53.11	49.31
PART NO.	Au PLATE	POS.	n	A	B	C	D	

THIS DRAWING IS A CONTROLLED DOCUMENT.

DIMENSIONS: 單位: 耗 mm	TOLERANCES UNLESS OTHERWISE SPECIFIED 一般公差	DWN Julyee Zhu 10AUG2004	TE Connectivity NAME 名稱 AMP CHAMP .050 CONNECTOR (B-T-B) PLUG CONNECTOR (HORIZONTAL WITH RETENTION LEG) SIZE A2 CAGE CODE 00779 DRAWING NO. 番号 C=5179275 RESTRICTED TO
		CHK Steven Yao 10AUG2004	
		APVD Ikuo Enomoto 10AUG2004	
		PRODUCT SPEC 製品規格	
		APPLICATION SPEC 取付適用規格	
MATERIAL 材料	FINISH 仕上	WEIGHT	SCALE 尺度 NTS SHEET 1 OF 1 REV A
CUSTOMER DRAWING			