



Chipsmall Limited consists of a professional team with an average of over 10 year of expertise in the distribution of electronic components. Based in Hongkong, we have already established firm and mutual-benefit business relationships with customers from,Europe,America and south Asia,supplying obsolete and hard-to-find components to meet their specific needs.

With the principle of "Quality Parts,Customers Priority,Honest Operation,and Considerate Service",our business mainly focus on the distribution of electronic components. Line cards we deal with include Microchip,ALPS,ROHM,Xilinx,Pulse,ON,Everlight and Freescale. Main products comprise IC,Modules,Potentiometer,IC Socket,Relay,Connector.Our parts cover such applications as commercial,industrial, and automotives areas.

We are looking forward to setting up business relationship with you and hope to provide you with the best service and solution. Let us make a better world for our industry!



Contact us

Tel: +86-755-8981 8866 Fax: +86-755-8427 6832

Email & Skype: info@chipsmall.com Web: www.chipsmall.com

Address: A1208, Overseas Decoration Building, #122 Zhenhua RD., Futian, Shenzhen, China



THIS DRAWING IS UNPUBLISHED. RELEASED FOR PUBLICATION
 © COPYRIGHT BY TYCO ELECTRONICS CORPORATION. ALL RIGHTS RESERVED.

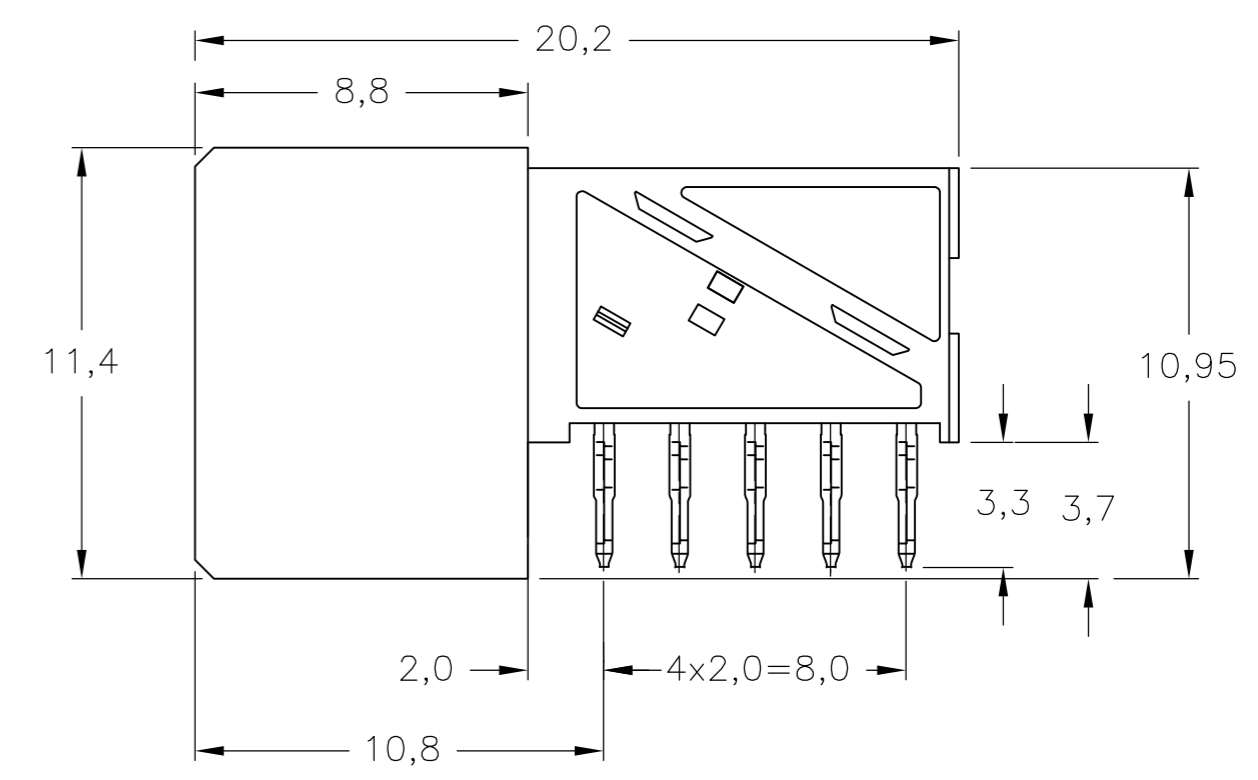
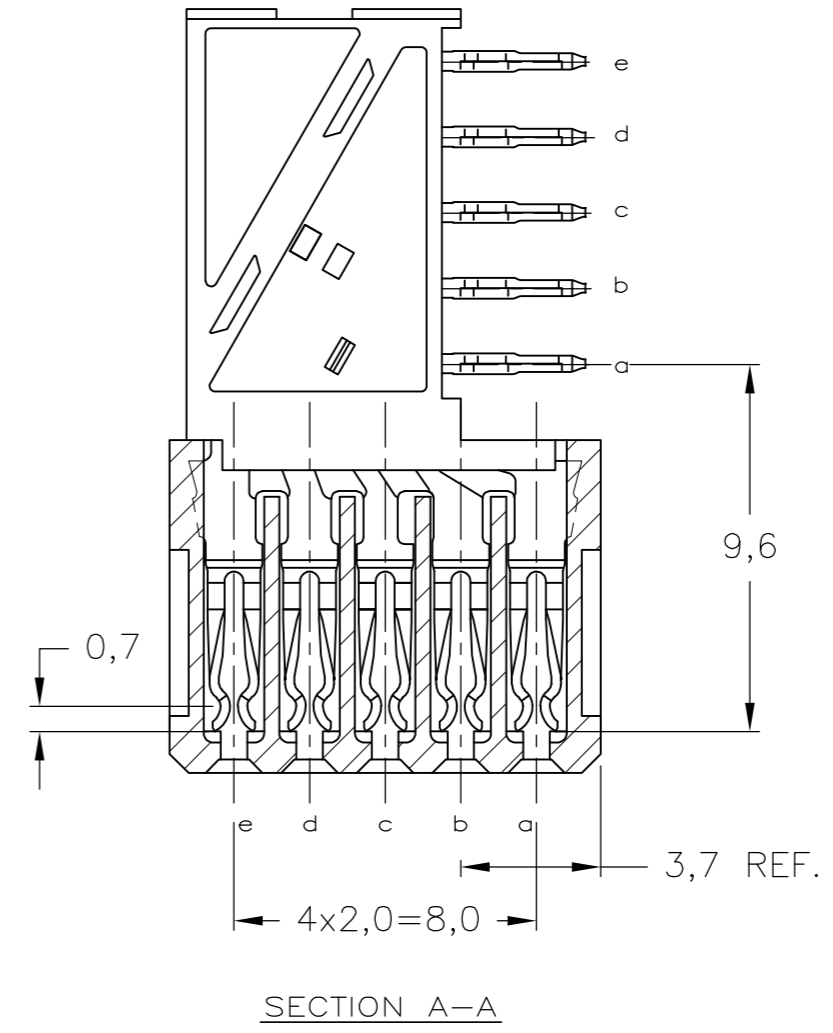
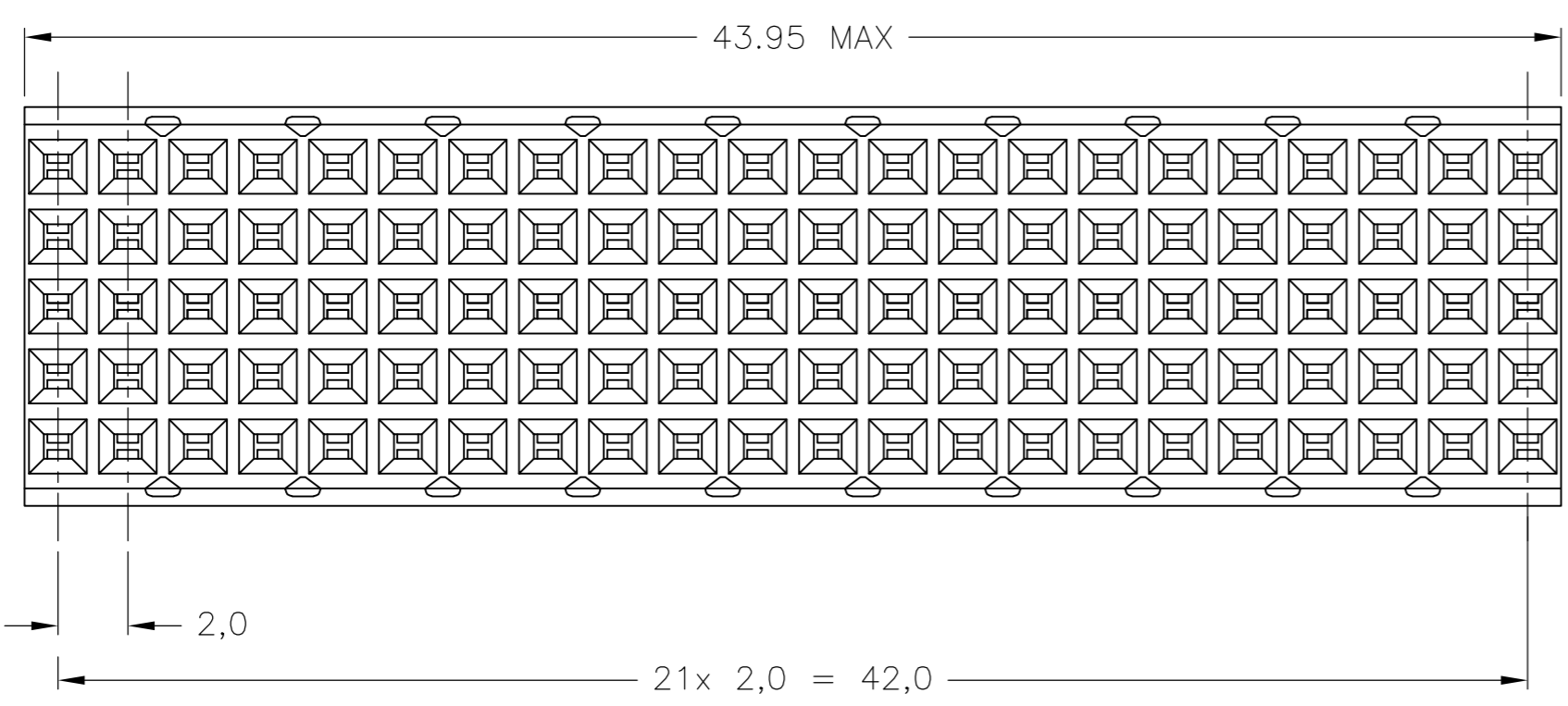
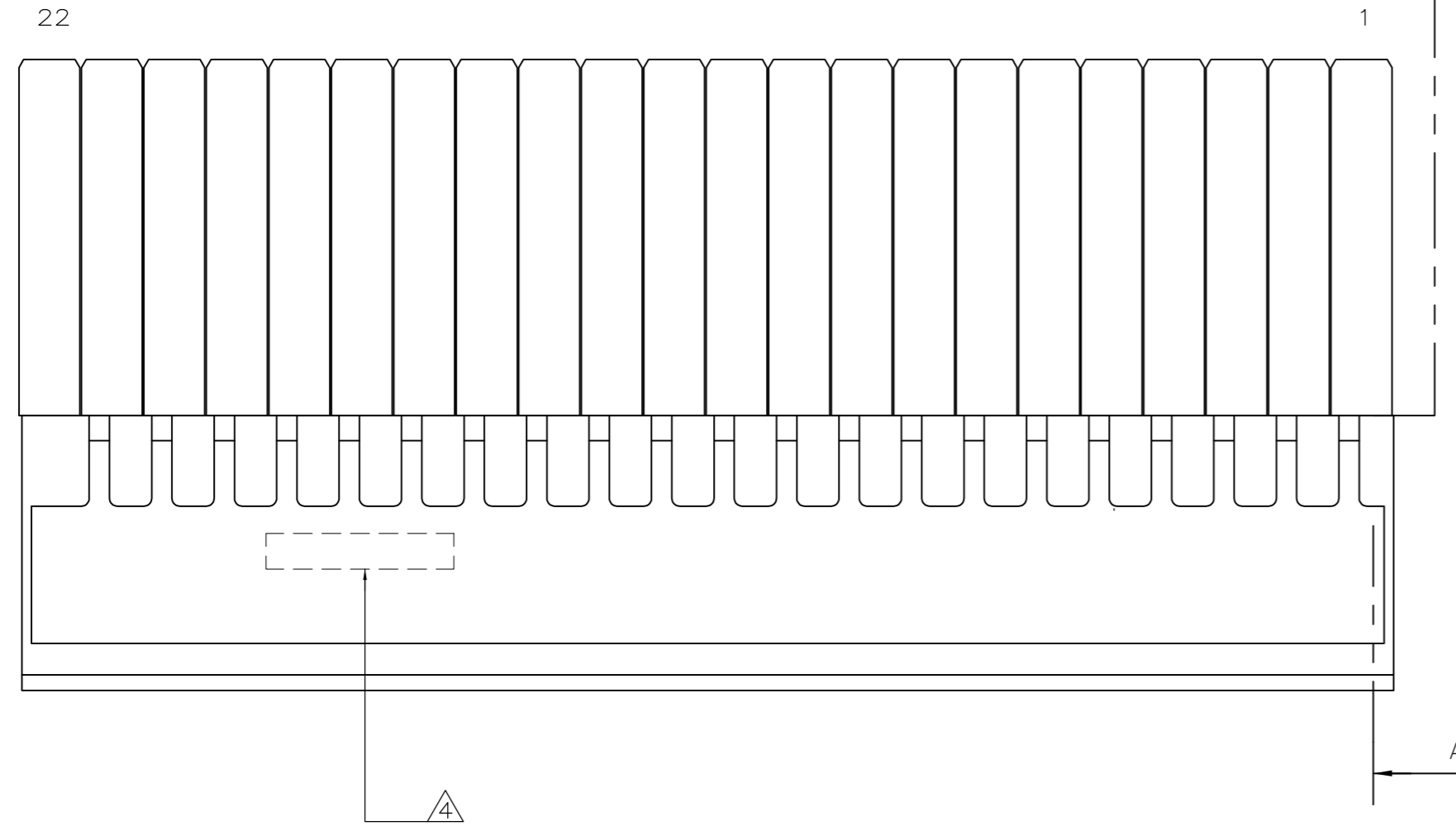
LOC		DIST		REVISIONS			
P	LTR	DESCRIPTION		DATE	DWN	APVD	
F		ECR-12-007088		17APR2012	SY	AC	

D

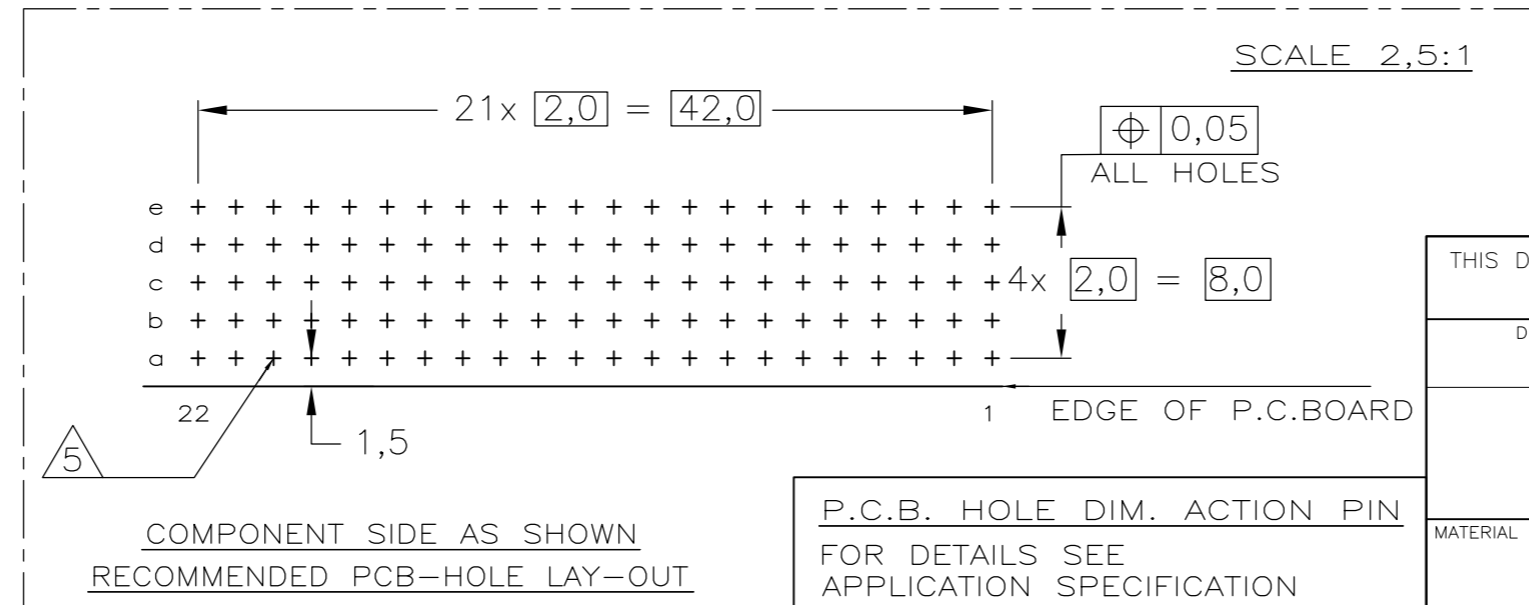
C

B

A



- NOTES:**
- ① MATERIAL CONTACT; PHOSPHORBRONZE
MATERIAL HOUSING; GLASSFILLED POLYESTER (GRAY)
UL-RATING 94V0.
 - ② GENERAL PLATING SPECIFICATION: UNDERPLATING
(ENTIRE CONTACT): 1,27µm NICKEL MIN. AND ACTION
PIN: 0,5µm TIN MIN.
FOR PLATING OF MATING SURFACES SEE APPLICABLE
SPECIFICATION REFERENCE FOR EACH DASH NUMBER.
 - ③ CONFORMS TO ALL TESTING ACCORDING IEC 61076-4-101
PERFORMANCE LEVEL 2.
 - ④ CONNECTOR PRINTED WITH PARTNUMBER AND DATECODE
 - ⑤ PLATED-THROUGH HOLES AT 2x2mm
SQUARE GRID. 110 HOLES
 - ⑥ FITS WITH INTEGRATED GROUND RETURN UPPERSHIELD
BASIC P.N. 5352151
 - ⑦ 0.76µm MIN. GOLD PLATING AT MATING SURFACES.
 - ⑧ CONNECTOR TESTED AND QUALIFIED AGAINST TELCORDIA,
GR-1217-CORE QUALITY LEVEL III, CENTRAL OFFICE APPLICATIONS.



THIS DRAWING IS A CONTROLLED DOCUMENT.		DWN	13AUG2004	Tyco Electronics Corporation	
DIMENSIONS: mm		CHK	22MAR2005	's-Hertogenbosch, 5222AR-32	
TOLERANCES UNLESS OTHERWISE SPECIFIED:		APVD	22MAR2005	NAME	
0 PLG ±		B.MOOIJ		Z-PACK 2mm HM	
1 PLG ±		B.MOOIJ		110 POS. FEMALE DAUGHTER CARD CONN.	
2 PLG ±		108-19082		(22 COLUMNS)	
3 PLG ±		APPLICATION SPEC		SIZE	
4 PLG ±		114-19029		CAGE CODE	
ANGLES ±		WEIGHT		DRAWING NO	
FINISH		-		A2 00779	
MATERIAL		-		C=5188836	
		CUSTOMER DRAWING		RESTRICTED TO	
		SCALE 5:1		SHEET 1 OF 1	
				REV F	

5188836