



Chipsmall Limited consists of a professional team with an average of over 10 year of expertise in the distribution of electronic components. Based in Hongkong, we have already established firm and mutual-benefit business relationships with customers from,Europe,America and south Asia,supplying obsolete and hard-to-find components to meet their specific needs.

With the principle of “Quality Parts,Customers Priority,Honest Operation,and Considerate Service”,our business mainly focus on the distribution of electronic components. Line cards we deal with include Microchip,ALPS,ROHM,Xilinx,Pulse,ON,Everlight and Freescale. Main products comprise IC,Modules,Potentiometer,IC Socket,Relay,Connector.Our parts cover such applications as commercial,industrial, and automotives areas.

We are looking forward to setting up business relationship with you and hope to provide you with the best service and solution. Let us make a better world for our industry!



## Contact us

Tel: +86-755-8981 8866 Fax: +86-755-8427 6832

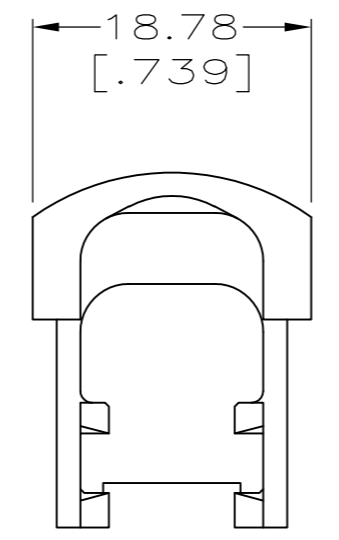
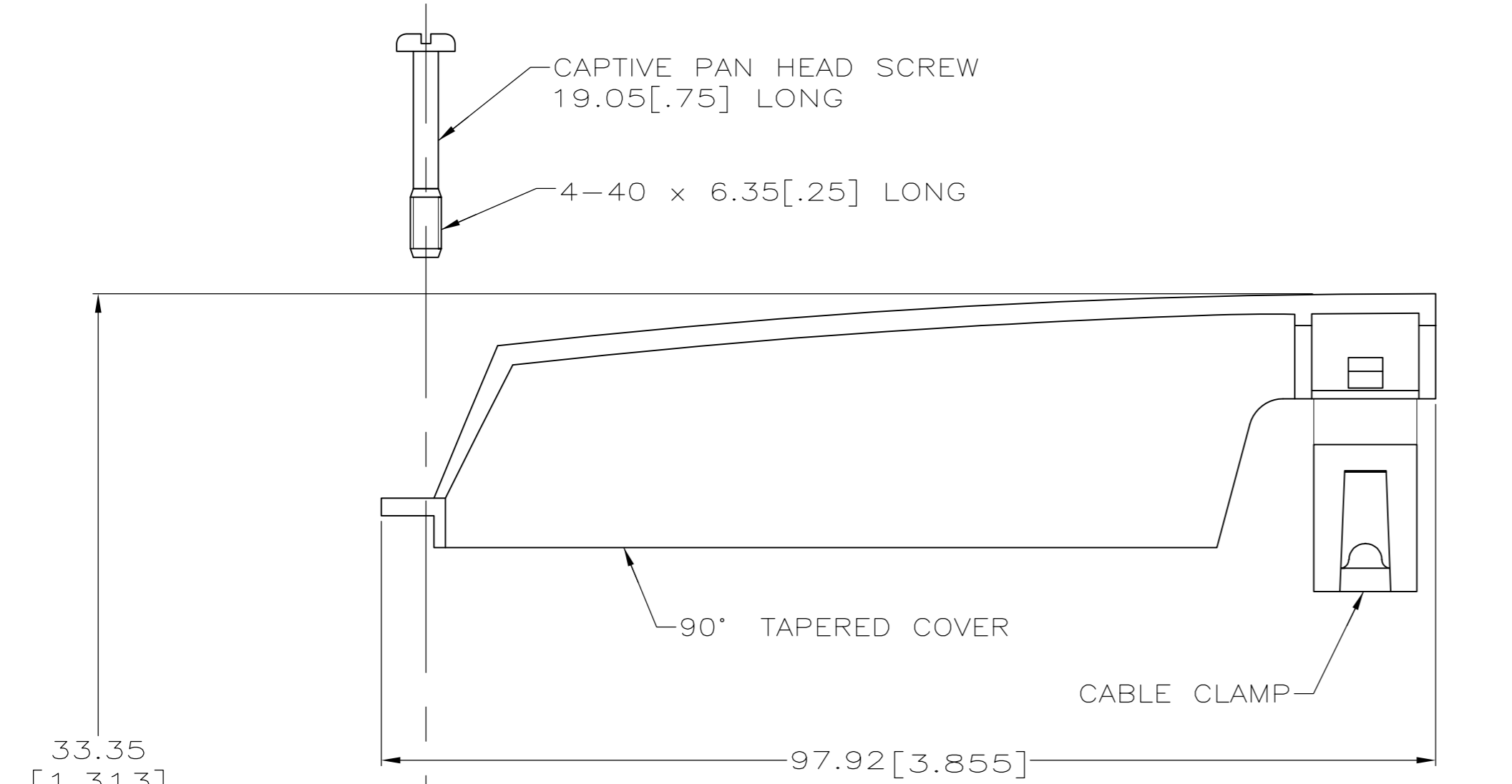
Email & Skype: info@chipsmall.com Web: www.chipsmall.com

Address: A1208, Overseas Decoration Building, #122 Zhenhua RD., Futian, Shenzhen, China

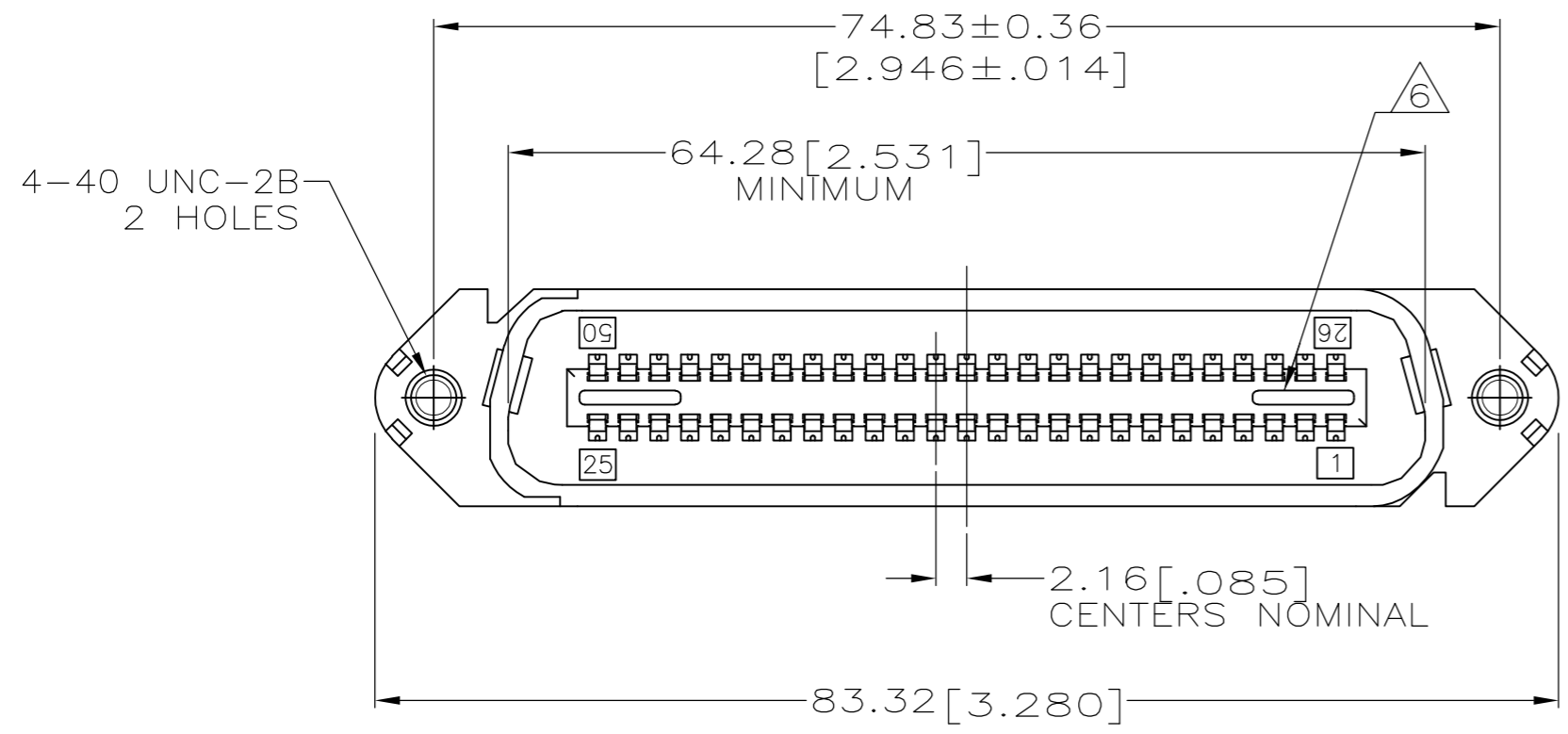
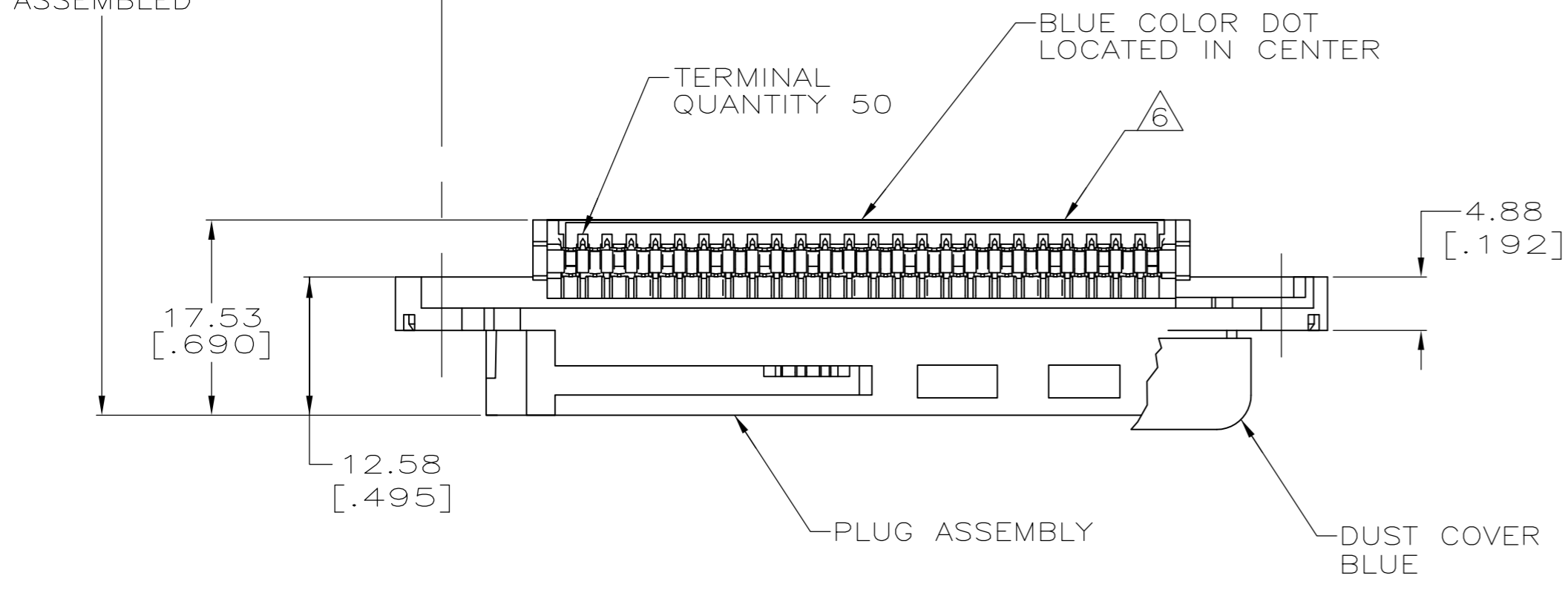


THIS DRAWING IS UNPUBLISHED. RELEASED FOR PUBLICATION  
 © COPYRIGHT - By - ALL RIGHTS RESERVED.

LOC		DIST		REVISIONS			
P	LTR	DESCRIPTION		DATE	DWN	APVD	
GP	00	B2		REVISED PER ECO-11-004835	11MAR11	RK HMR	



1. THE CONTACT SURFACES OF THE TERMINALS ARE COATED WITH LUBRICANT.
2. DIMENSIONS ARE MAXIMUM UNLESS OTHERWISE SPECIFIED.
3. MATERIAL: HOUSING AND COVER - POLYPHENYLENE OXIDE.  
 CABLE CLAMP - POLYESTER MOLDING COMPOUND.  
 TERMINAL - HIGH STRENGTH COPPER ALLOY PLATED WITH 0.76µm [.000030] MIN GOLD OR GOLD FLASH OVER PALLADIUM NICKEL PLATE, 0.76µm [.000030] MIN TOTAL ON MATING SURFACE, OVER 1.27µm [.000050] MIN NICKEL UNDERPLATE.  
 HARDWARE - ZINC PLATED STEEL.  
 DUST COVER - POLYETHYLENE MOLDING COMPOUND.
4. THIS KIT SHIPPED NOT ASSEMBLED.
5. WIRE SIZE: 24 & 26 AWG SOLID & 24/7 STRAND COPPER CONDUCTORS. MAXIMUM INSULATION DIAMETER OF 1.14[.045] IS ACCEPTABLE FOR MOST APPLICATIONS.
6. CORING MAY OR MAY NOT APPEAR AND IS AT THE DISCRETION OF AMP INCORPORATED.
7. OBSOLETE PARTS: OBSOLETE CIS STREAMLINING PER D.RENAUD/D.SINISI



PACKAGING	CABLE RANGE	DUST COVER	COLOR	PART NUMBER
BULK PACKED	ø7.62-8.26 [ø.300-.325]	YES	BLACK	△6-5229912-7
	ø8.89-10.80 [ø.350-.425]	YES	GRAY	6-5229912-4
		NO	BLACK	6-5229912-3
POLY BAGGED	ø10.80-12.70 [ø.425-.500]	YES	BLACK	6-5229912-1
		NO	BLACK	3-5229912-1
	ø8.89-10.80 [ø.350-.425]	YES	BLACK	2-5229912-1
NO		GRAY	5229912-4	
NO	BLACK		5229912-1	

THIS DRAWING IS A CONTROLLED DOCUMENT.

DWN: G.PETERS 23SEP2005  
 CHK: W.MILLHIMES 23SEP05  
 APVD: M.WALMSLEY 23SEP05

TE Connectivity

NAME: PLUG KIT, 50 POSITION, B-SLOT SCREW LOCK WITH TAPERED COVER, CHAMP-LOK

SIZE: A2 CAGE CODE: 00779 DRAWING NO: C=5229912 RESTRICTED TO: -

MATERIAL: 3 FINISH: 3 WEIGHT: - SCALE: 2:1 SHEET: 1 of 1 REV: B2

CUSTOMER DRAWING