



Chipsmall Limited consists of a professional team with an average of over 10 year of expertise in the distribution of electronic components. Based in Hongkong, we have already established firm and mutual-benefit business relationships with customers from,Europe,America and south Asia,supplying obsolete and hard-to-find components to meet their specific needs.

With the principle of “Quality Parts,Customers Priority,Honest Operation,and Considerate Service”,our business mainly focus on the distribution of electronic components. Line cards we deal with include Microchip,ALPS,ROHM,Xilinx,Pulse,ON,Everlight and Freescale. Main products comprise IC,Modules,Potentiometer,IC Socket,Relay,Connector.Our parts cover such applications as commercial,industrial, and automotives areas.

We are looking forward to setting up business relationship with you and hope to provide you with the best service and solution. Let us make a better world for our industry!



Contact us

Tel: +86-755-8981 8866 Fax: +86-755-8427 6832

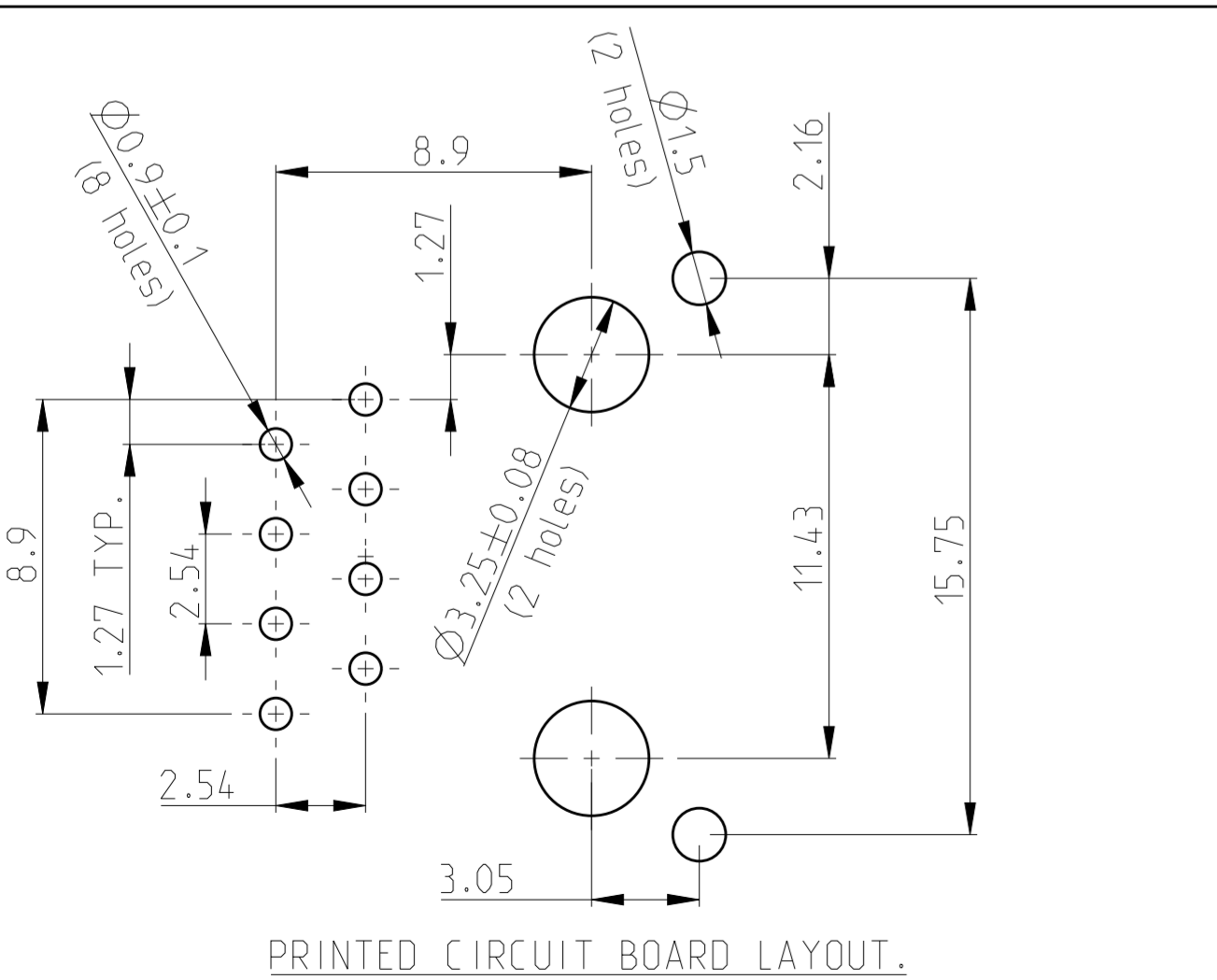
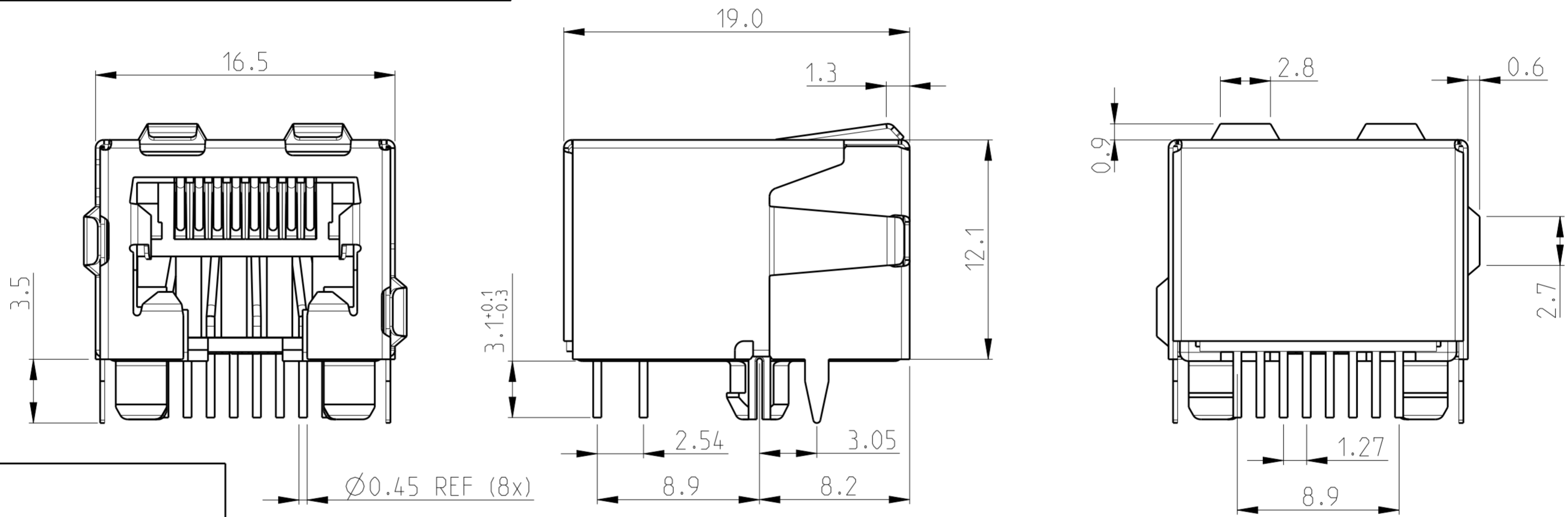
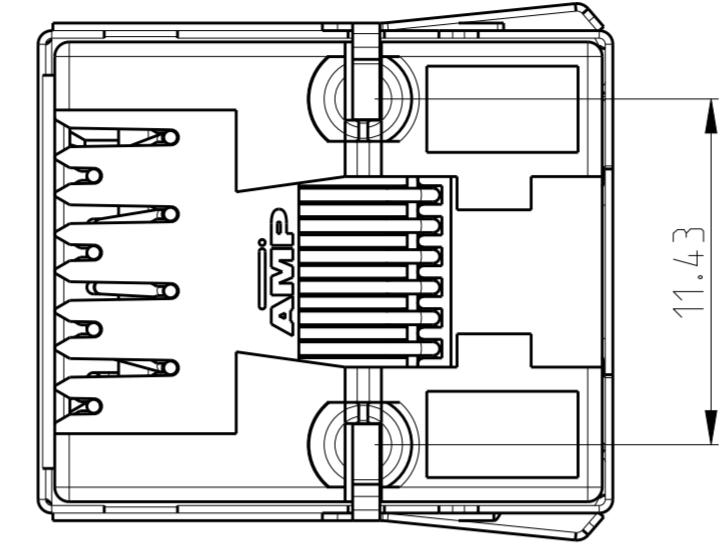
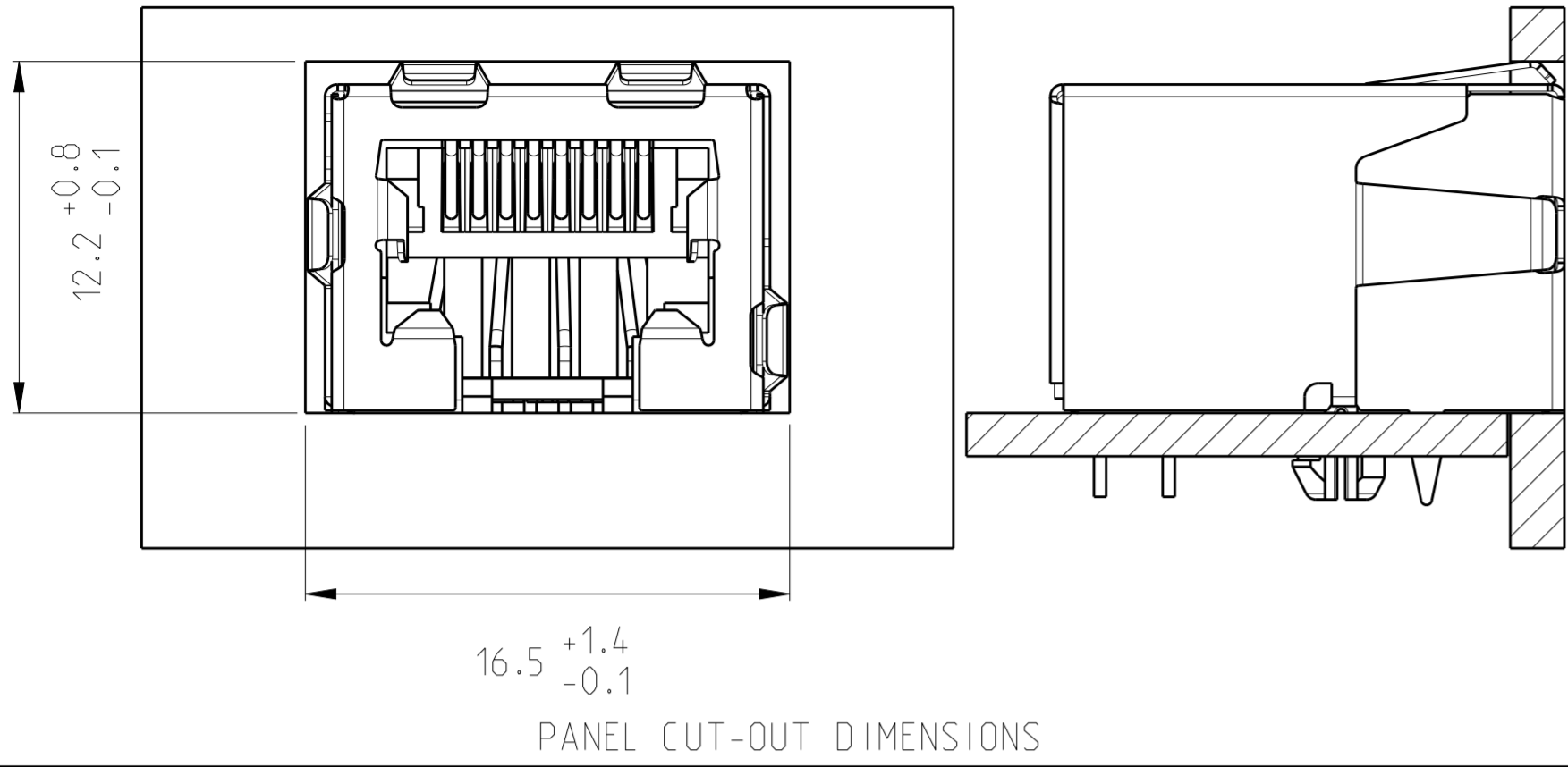
Email & Skype: info@chipsmall.com Web: www.chipsmall.com

Address: A1208, Overseas Decoration Building, #122 Zhenhua RD., Futian, Shenzhen, China

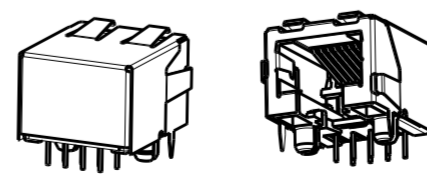
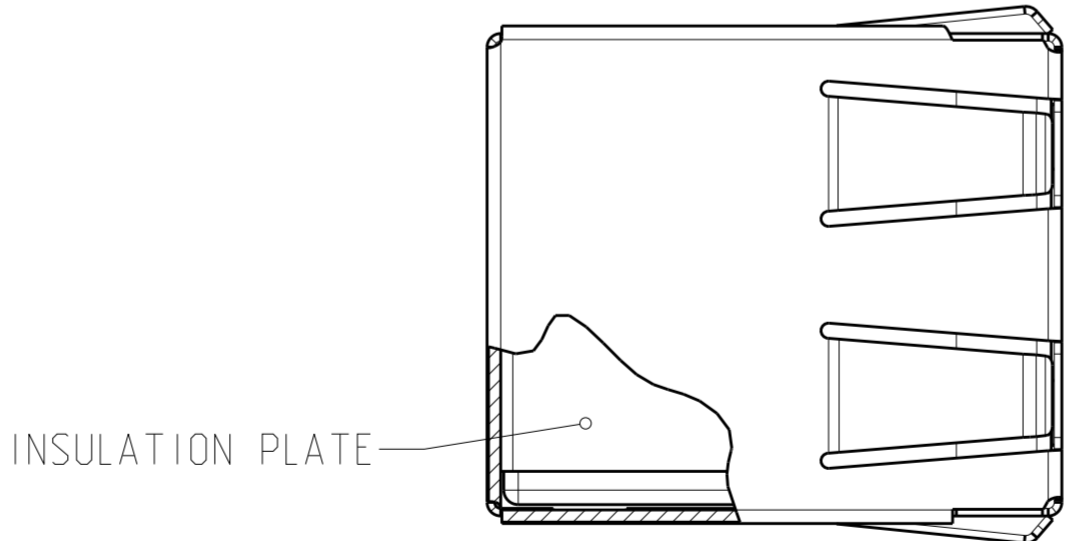


THIS DRAWING IS UNPUBLISHED. RELEASED FOR PUBLICATION 2000
 © COPYRIGHT 2000 TE CONNECTIVITY ALL RIGHTS RESERVED.

| LOC | | DIST | | REVISIONS | | | |
|-----|-----|-------------------------------------|-----------|-----------|------|--|--|
| P | LTR | DESCRIPTION | DATE | DWN | APVD | | |
| C | | SHIELD RAW MATERIAL CHANGE TO BRASS | 08MAR2012 | PS | RRP | | |
| C1 | | ECR-12-014775 | 21AUG2012 | SS | RRP | | |



(VIEW SHOWN IS CIRCUIT (NONCOMPONENT) SIDE OF BOARD)
 PRINTED CIRCUIT BOARD THICKNESS: 1.6 mm NOMINAL.
 TOLERANCE UNLESS OTHERWISE SPECIFIED: ±0.05mm.



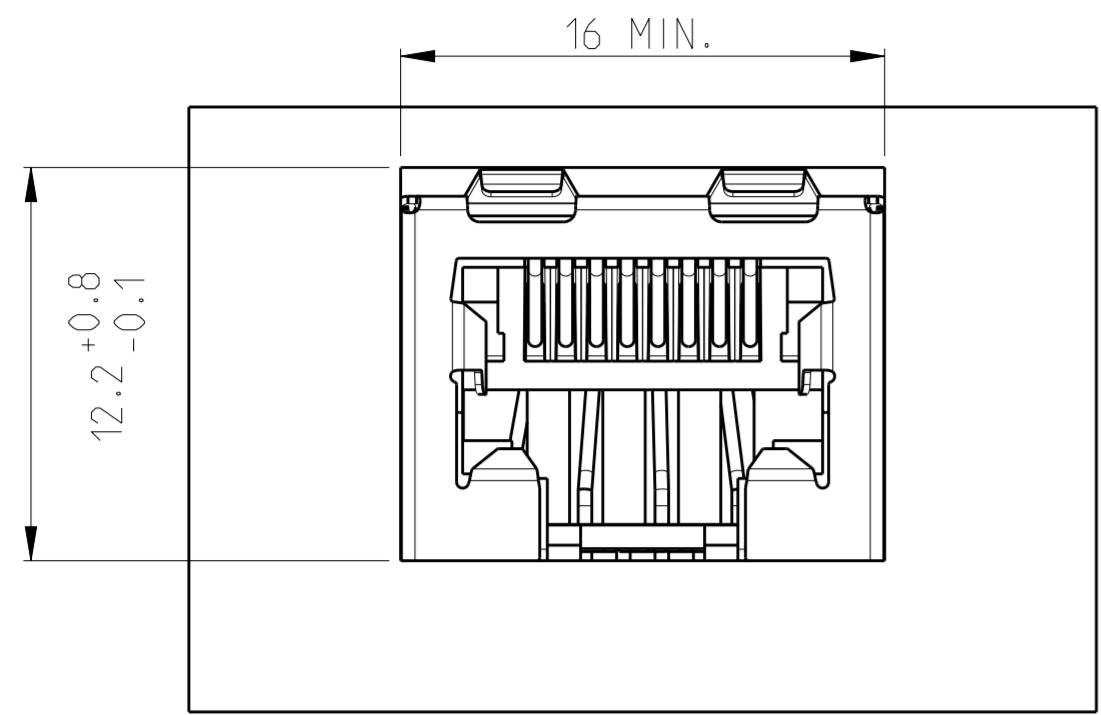
SCALE: 1:1

| | | | | |
|-------------------------------------|-------------------|--|--|-------------|
| PACKAGED 190 PIECES IN A TRAY | 8 POS. 8 CONT. | OVERALL: Ni 1.27 µm MIN. ALL OVER THE CONTACTS SOLDER ZONE: Sn 2.5 µm MIN. ON THE SOLDER ZONE OF THE CONTACT MATING ZONE: PLATING CONFIRMS TO PRODUCT REQUIREMENTS AS PER SPECIFICATION 108-19064 | HOUSING: PBT UL 94 V-0 BLACK CONTACTS: PHOSPHOR BRONZE SHIELD: BRASS PRE-PLATED (BRIGHT TIN) | 2-5338556-1 |
| PACKAGING | REMARKS | PLATING | MATERIAL | P/N |

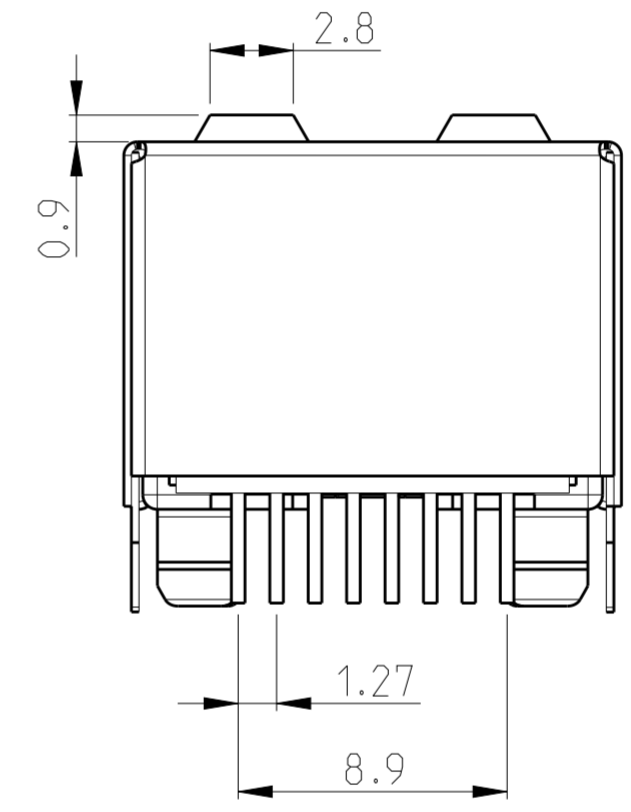
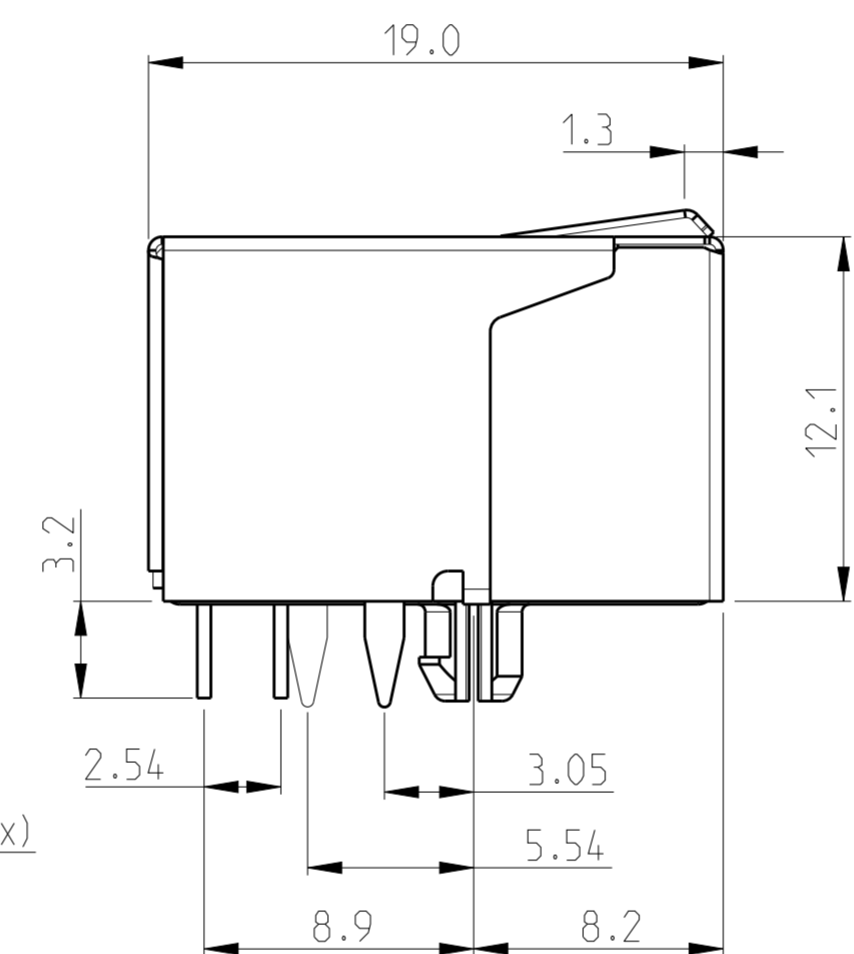
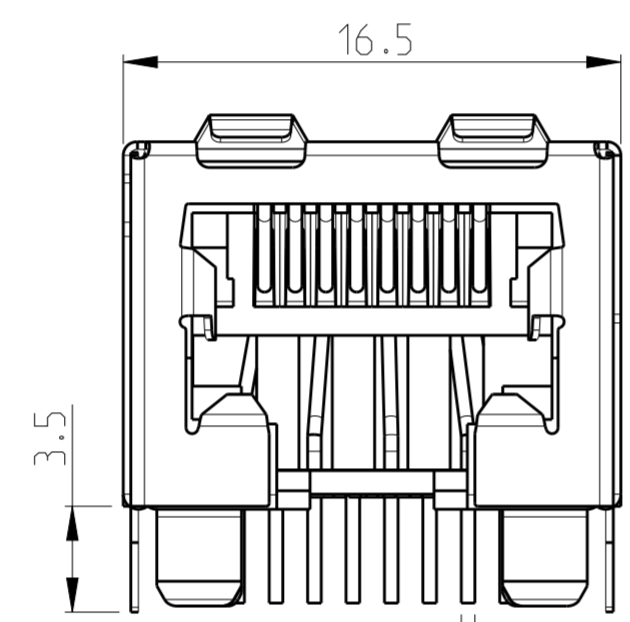
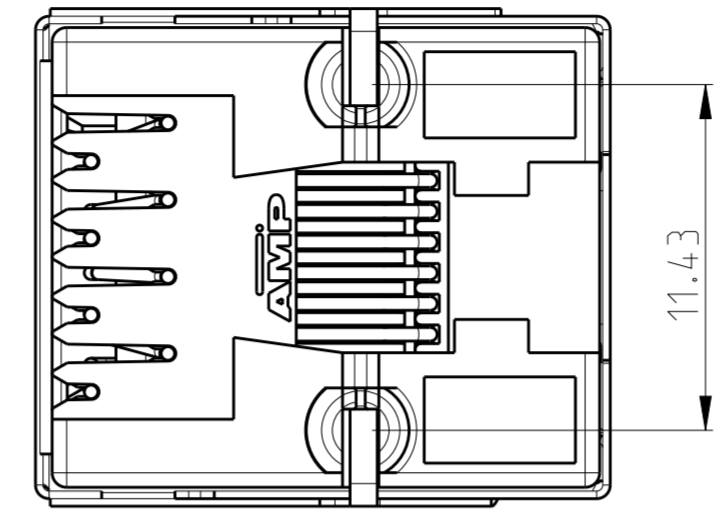
| | | | | |
|--|--|---------------------------------|--|--------------------|
| THIS DRAWING IS A CONTROLLED DOCUMENT. | | DWN P. Willems 25-Feb-05 | TE Connectivity | |
| | | CHK P. Groels 25-Feb-05 | | |
| DIMENSIONS: mm | | APVD J. Broeksteeg 25-Feb-05 | NAME 8 pos. Modular Jack Side Entry fully shielded with insulation plate | |
| TOLERANCES UNLESS OTHERWISE SPECIFIED: | | PRODUCT SPEC 108-19064 | RESTRICTED TO | |
| 0 PLC ±0.15 | | APPLICATION SPEC 114-19019 | SIZE A2 | CAGE CODE 00779 |
| 1 PLC ±0.15 | | WEIGHT - | DRAWING NO 5338556 | SCALE 4:1 |
| 2 PLC ±0.15 | | CUSTOMER DRAWING | SHEET 1 | OF 2 |
| 3 PLC ±0.15 | | | REV C1 | |
| 4 PLC ±0.15 | | | | |
| ANGLES FINISH ±0.30° | | | | |

THIS DRAWING IS UNPUBLISHED. RELEASED FOR PUBLICATION 2000
 © COPYRIGHT 2000 TE CONNECTIVITY ALL RIGHTS RESERVED.

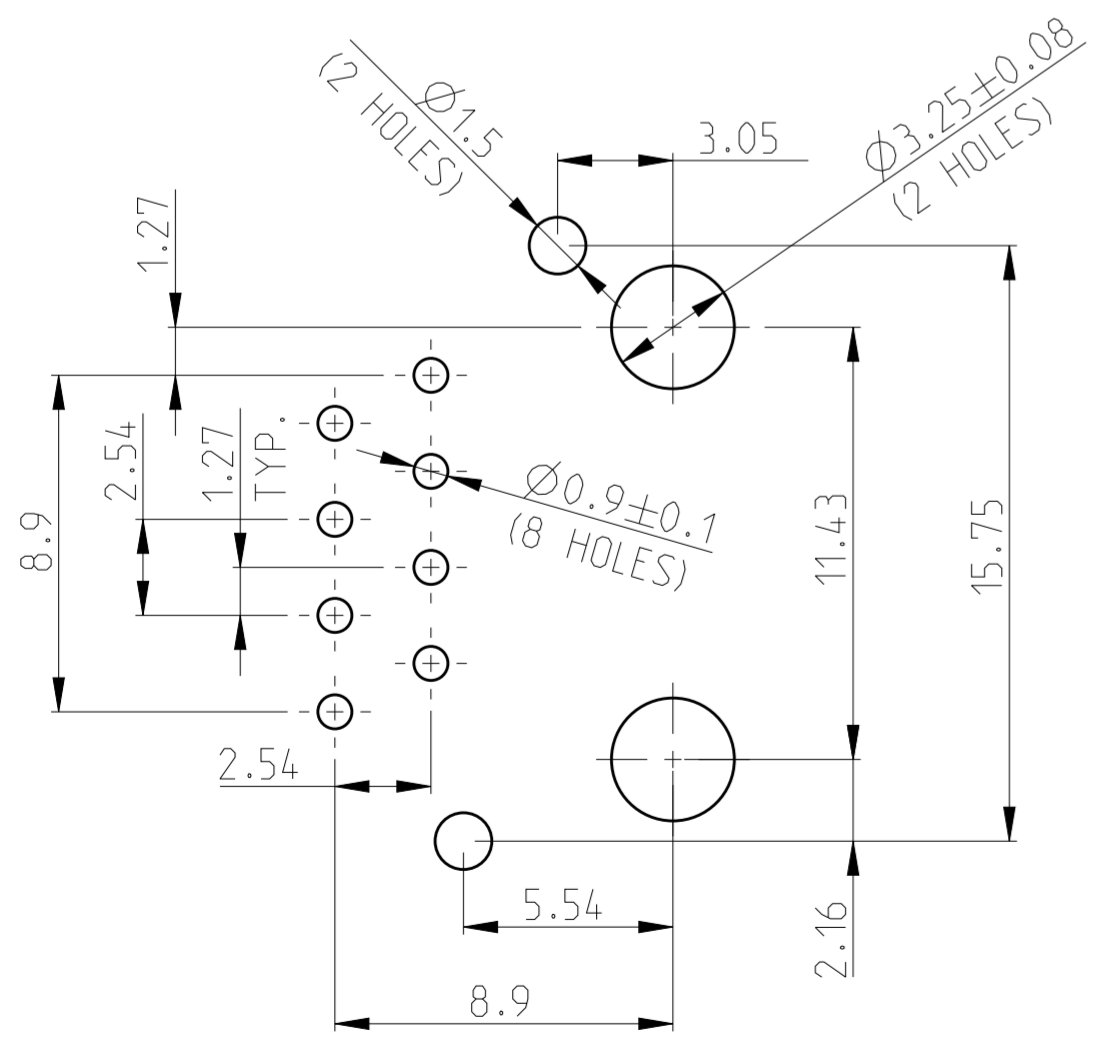
| LOC | | DIST | | REVISIONS | | | |
|-----|-----|-------------|------|-----------|------|--|--|
| P | LTR | DESCRIPTION | DATE | DWN | APVD | | |
| - | - | SEE SHEET 1 | - | - | - | | |



PANEL CUT-OUT DIMENSIONS

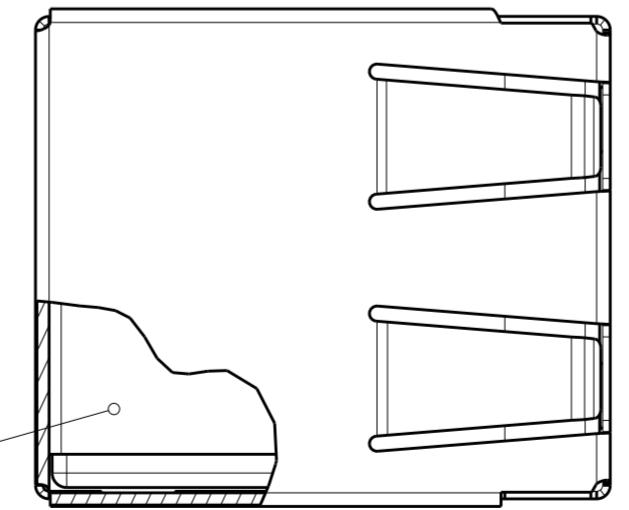


Ø0.45 REF (8x)



PRINTED CIRCUIT BOARD LAYOUT.

(VIEW SHOWN IS CIRCUIT (NONCOMPONENT) SIDE OF BOARD.)
 PRINTED CIRCUIT BOARD THICKNESS: 1.6 mm NOMINAL.
 TOLERANCE UNLESS OTHERWISE SPECIFIED: ± 0.15 mm.



INSULATION PLATE

| | | | | |
|--|---|--|---|-----------------|
| PACKAGING | REMARKS | DESCRIPTION | MATERIAL | P/N |
| PACKAGED 190 PIECES IN A TRAY | 8 POS. 8 CONT. | OVERALL: Ni 1.27 µm MIN. ALL OVER THE CONTACTS SOLDER ZONE: Sn 2.5 µm MIN. ON THE SOLDER ZONE OF THE CONTACT MATING ZONE: PLATING CONFIRMS TO PRODUCT REQUIREMENTS AS PER SPECIFICATION 108-19064 | HOUSING: PBT UL 94V-0 BLACK CONTACTS: PHOSPHOR BRONZE SHIELD: BRASS PRE-PLATED BRIGHT TIN | 3-5338556-1 |
| THIS DRAWING IS A CONTROLLED DOCUMENT. | | DWN P.Willems 25-Feb-05 CHK P.Groels 25-Feb-05 APVD J.Broeksteeg 25-Feb-05 | TE Connectivity NAME 8 pos. Modular Jack Side Entry fully shielded with insulation plate | |
| DIMENSIONS: mm | TOLERANCES UNLESS OTHERWISE SPECIFIED: | PRODUCT SPEC 108-19064 APPLICATION SPEC 114-19019 | | |
| MATERIAL | FINISH | WEIGHT | SIZE A2 | CAGE CODE 00779 |
| CUSTOMER DRAWING | | SCALE 4:1 | SHEET 2 | OF 2 |