



Chipsmall Limited consists of a professional team with an average of over 10 year of expertise in the distribution of electronic components. Based in Hongkong, we have already established firm and mutual-benefit business relationships with customers from,Europe,America and south Asia,supplying obsolete and hard-to-find components to meet their specific needs.

With the principle of “Quality Parts,Customers Priority,Honest Operation,and Considerate Service”,our business mainly focus on the distribution of electronic components. Line cards we deal with include Microchip,ALPS,ROHM,Xilinx,Pulse,ON,Everlight and Freescale. Main products comprise IC,Modules,Potentiometer,IC Socket,Relay,Connector.Our parts cover such applications as commercial,industrial, and automotives areas.

We are looking forward to setting up business relationship with you and hope to provide you with the best service and solution. Let us make a better world for our industry!



Contact us

Tel: +86-755-8981 8866 Fax: +86-755-8427 6832

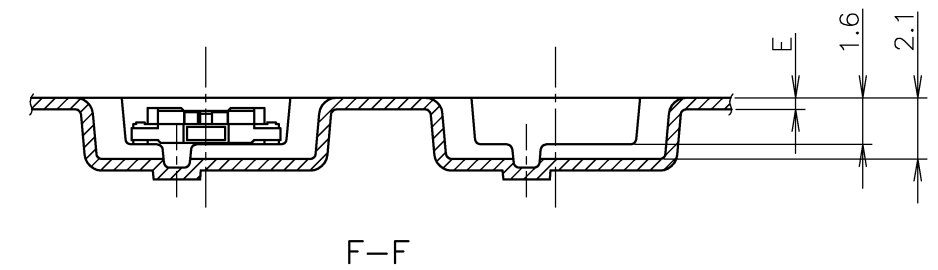
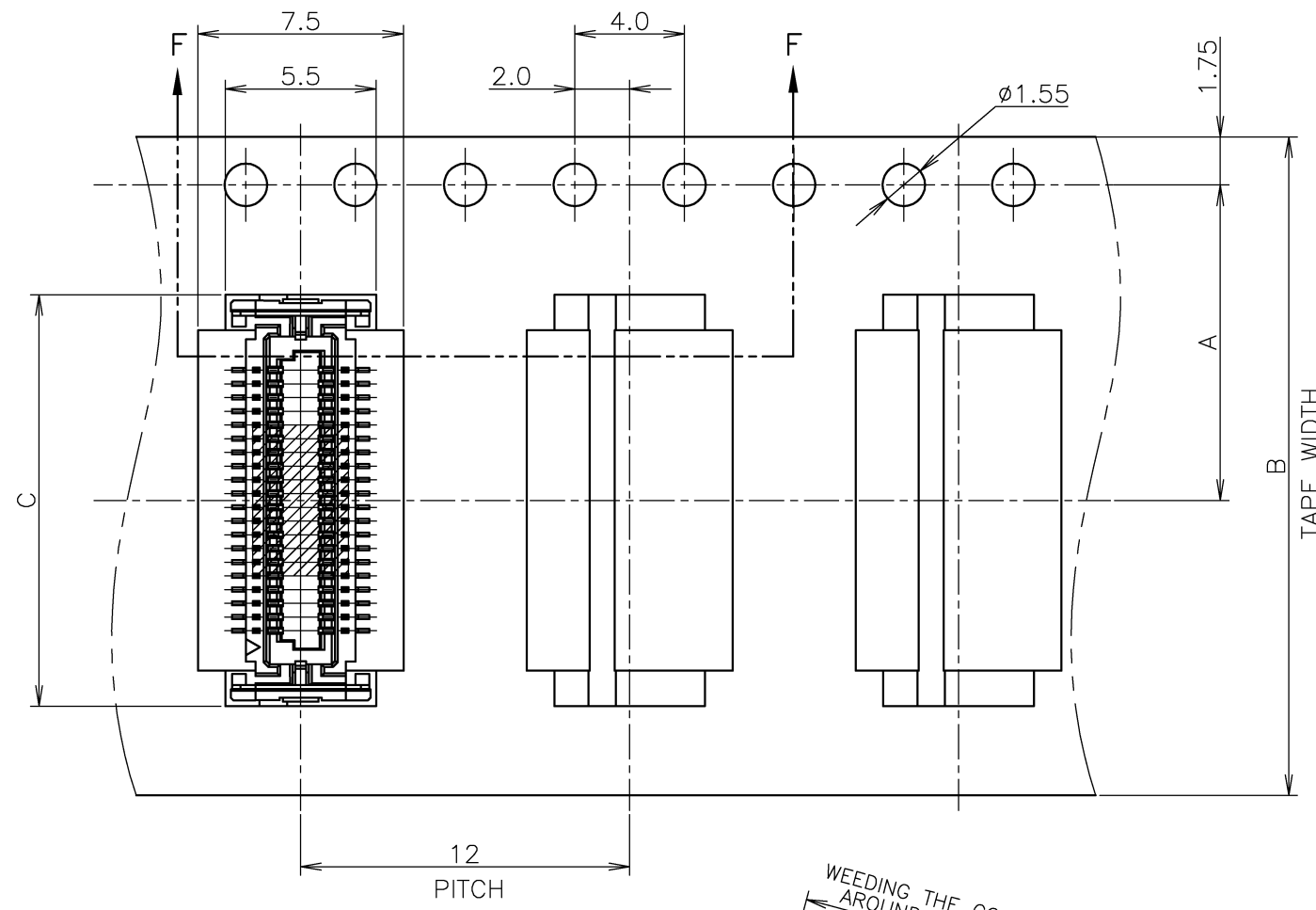
Email & Skype: info@chipsmall.com Web: www.chipsmall.com

Address: A1208, Overseas Decoration Building, #122 Zhenhua RD., Futian, Shenzhen, China



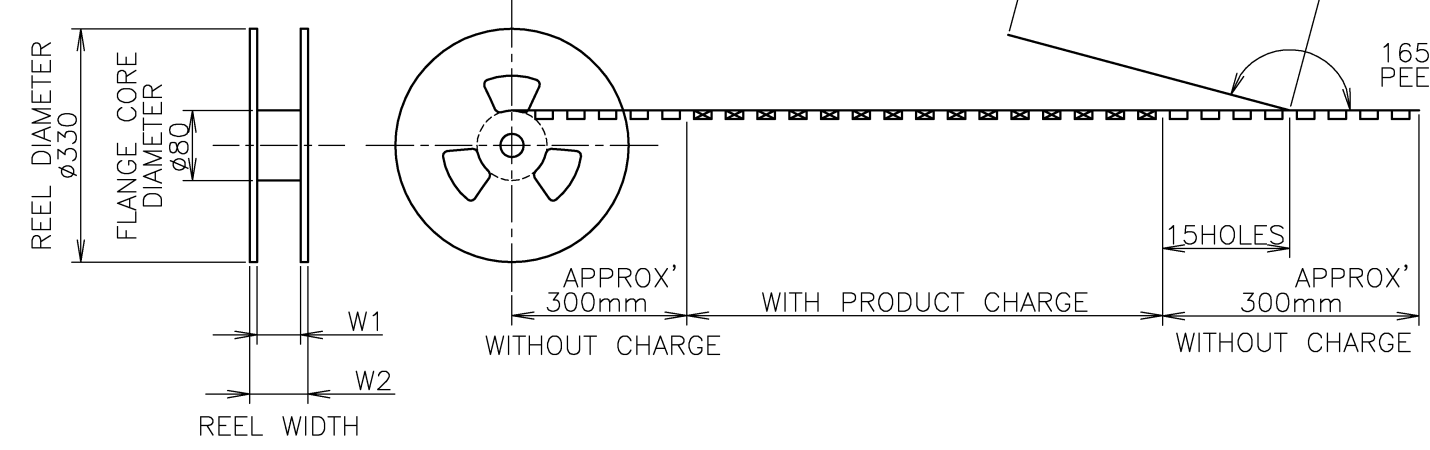
THIS DRAWING IS UNPUBLISHED. RELEASED FOR PUBLICATION NOV ,2004.
 © COPYRIGHT 2004 BY TYCO ELECTRONICS CORPORATION. ALL RIGHTS RESERVED.

LOC	DIST	REVISIONS					
J		P	LTR	DESCRIPTION	DATE	DWN	APVD
		B		REVISED	04NOV2008	Y.N	T.F



TOP OF REEL
 →

WEEDING THE COVER TAPE AROUND THE OUTER PERIPHERY IN A TURN.
 165°~180° PEELING ANGLE.



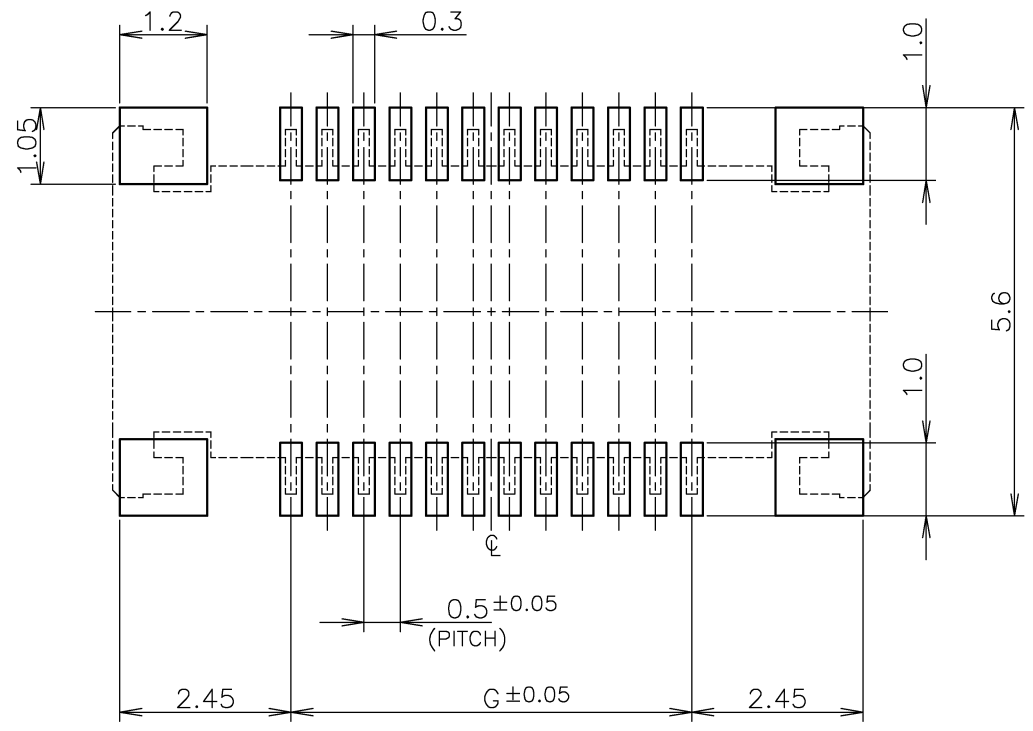
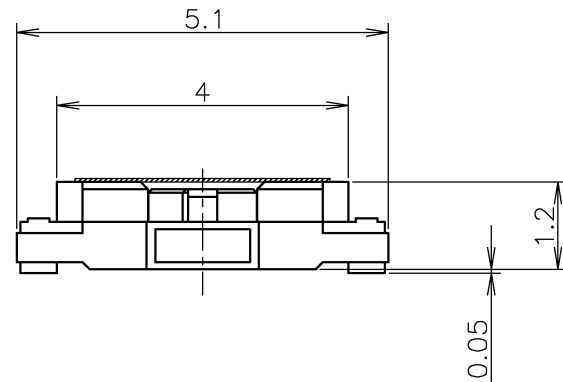
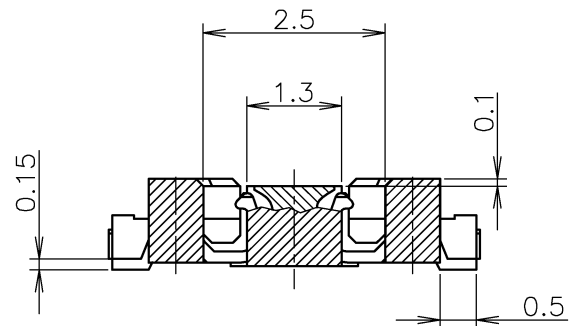
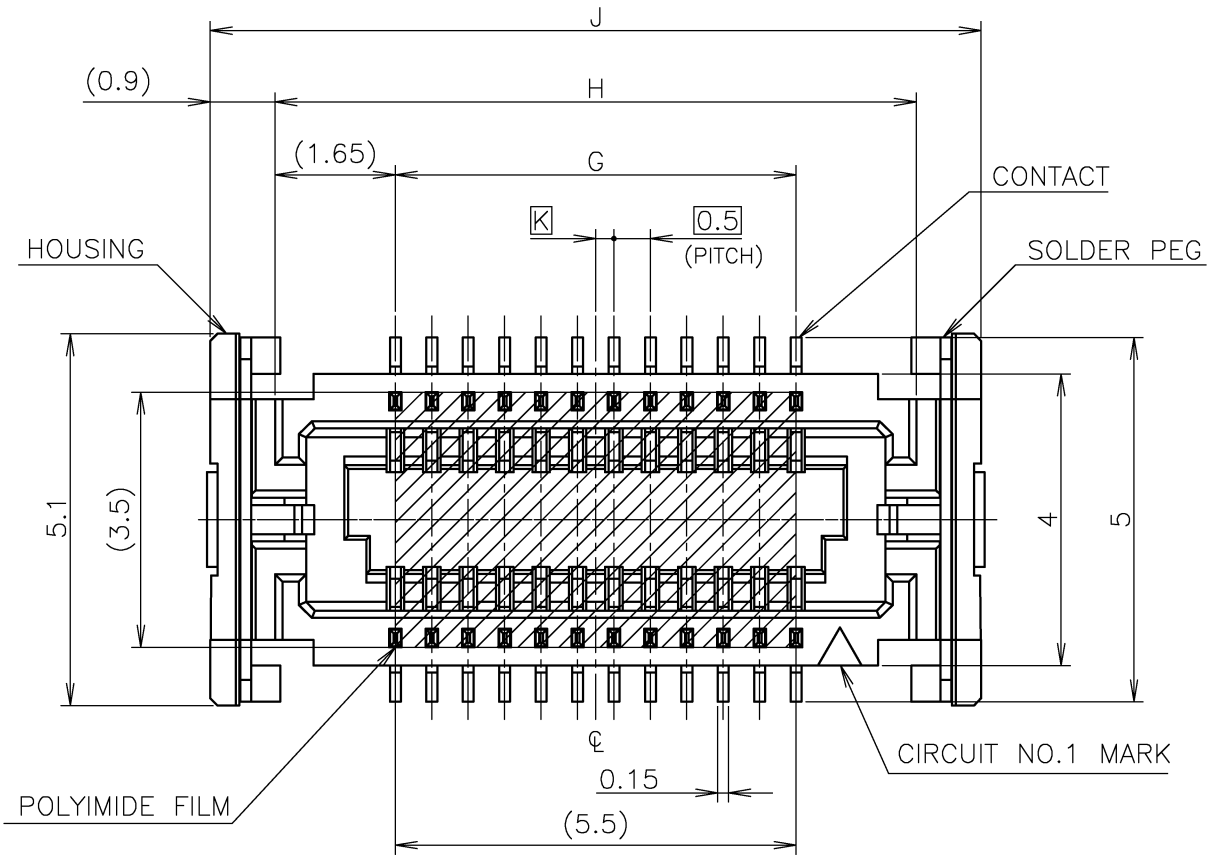
28.4	24.4	0.4	15.0	24	11.5	1500	40	4-5353512-5
28.4	24.4	0.4	15.0	24	11.5	1500	40	4-5353512-0
28.4	24.4	0.4	12.5	24	11.5	1500	30	3-5353512-0
28.4	24.4	0.4	10.0	24	11.5	1500	20	2-5353512-0

INSTRUCTION SHEET 411-5781	W2	W1	E	C	B	A	QTY/REEL	POS	TAPING P/N
-------------------------------	----	----	---	---	---	---	----------	-----	------------

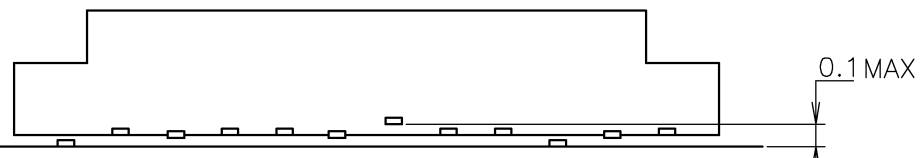
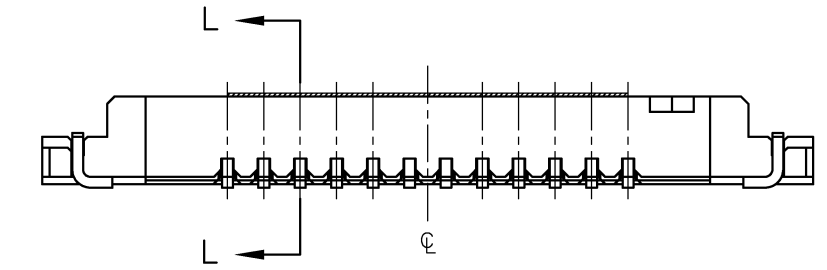
THIS DRAWING IS A CONTROLLED DOCUMENT.		DWN JULYEE ZHU 09NOV2004	Tyco Electronics Corporation Kawasaki, Japan	
DIMENSIONS: 単位: 精 mm		CHK STEVEN YAO 09NOV2004	NAME ON TAPING EMBOSS	
TOLERANCES UNLESS OTHERWISE SPECIFIED: 一般公差		APVD I.ENOMOTO 09NOV2004	PRODUCT SPEC 製品規格 108-60048	
0 PLC ± 0.2		APPLICATION SPEC 取付適用規格		
1 PLC ± 0.2		SIZE A3		
2 PLC ± 0.2		CAGE CODE 00779		
3 PLC ± 0.2		DRAWING NO C-5353512		
4 PLC ± 0.2		RESTRICTED TO		
ANGLES ± 3°		SCALE 尺度 4:1		
MATERIAL 材料		SHEET 1 of 2		
FINISH 仕上		REV B		
CUSTOMER DRAWING				

THIS DRAWING IS UNPUBLISHED. RELEASED FOR PUBLICATION NOV ,2004.
 © COPYRIGHT 2004 BY TYCO ELECTRONICS CORPORATION. ALL RIGHTS RESERVED.

LOC	DIST	REVISIONS		
J		P	LTR	DATE
		DESCRIPTION		DWN
		SEE SHEET 1		APVD



(T=0.6 MIN.)
P.C. BOARD LAYOUT (REF.)



(COPLANARITY)
MUST BE MEASURED FLOATING AMOUNT OF TINES
AND TAIL PLATES FROM DATUM SURFACE IS 0.1mm MAX.

- 1 MATING COUNTER PART NUMBER: 5353514
- 2 MATERIAL
HOUSING: HIGH HEAT-RESISTED
CONTACT: COPPER ALLOY (t=0.15), Au PLATING.
SOLDER PEG: COPPER ALLOY (t=0.15), TIN PLATING.
- 3 CONTACT: Au PLATING (0.00076mm)

THIS DRAWING IS A CONTROLLED DOCUMENT.

DIMENSIONS: 単位: 精 mm	TOLERANCES UNLESS OTHERWISE SPECIFIED: 一般公差
	0 PLC ± 0.2
	1 PLC ± 0.2
	2 PLC ± 0.2
	3 PLC ± 0.2
	4 PLC ± 0.2
	ANGLES ± 3°
MATERIAL 材料	FINISH 仕上

INSTRUCTION SHEET 411-5781
DWN
CHK
APVD
PRODUCT SPEC 製品規格
APPLICATION SPEC 取付適用規格
WEIGHT
CUSTOMER DRAWING

0.25	14.6	12.8	9.5	40	4-5353512-5
0.25	14.6	12.8	9.5	40	4-5353512-0
---	12.1	10.3	7	30	3-5353512-0
0.25	9.6	7.8	4.5	20	2-5353512-0
K	J	H	G	POS.	PART NO.
DIMENSION					

Tyco Electronics Corporation Kawasaki, Japan	
ON TAPING EMOSS 0.5mm PITCH FS CONN. RECEPTACLE ASSEMBLY WITH KEY & WITHOUT BOSS	
SIZE A3	CAGE CODE 00779
DRAWING NO G-5353512	RESTRICTED TO
SCALE 尺度 10:1	SHEET 2 OF 2
REV B	