



Chipsmall Limited consists of a professional team with an average of over 10 year of expertise in the distribution of electronic components. Based in Hongkong, we have already established firm and mutual-benefit business relationships with customers from,Europe,America and south Asia,supplying obsolete and hard-to-find components to meet their specific needs.

With the principle of “Quality Parts,Customers Priority,Honest Operation,and Considerate Service”,our business mainly focus on the distribution of electronic components. Line cards we deal with include Microchip,ALPS,ROHM,Xilinx,Pulse,ON,Everlight and Freescale. Main products comprise IC,Modules,Potentiometer,IC Socket,Relay,Connector.Our parts cover such applications as commercial,industrial, and automotives areas.

We are looking forward to setting up business relationship with you and hope to provide you with the best service and solution. Let us make a better world for our industry!



## Contact us

Tel: +86-755-8981 8866 Fax: +86-755-8427 6832

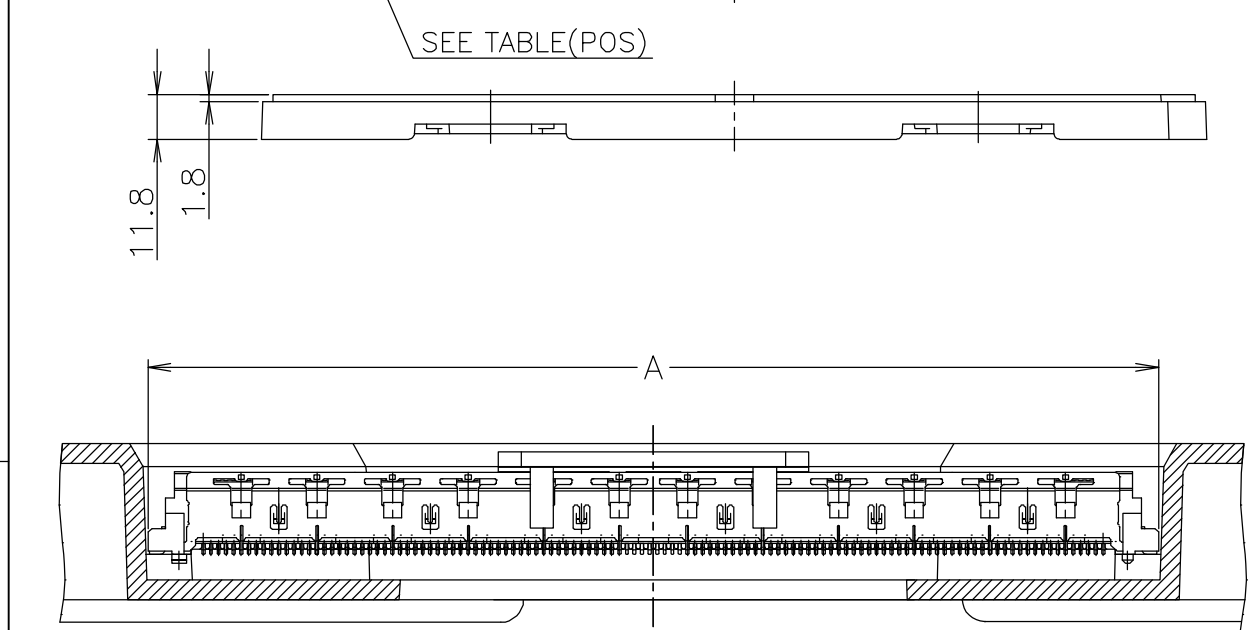
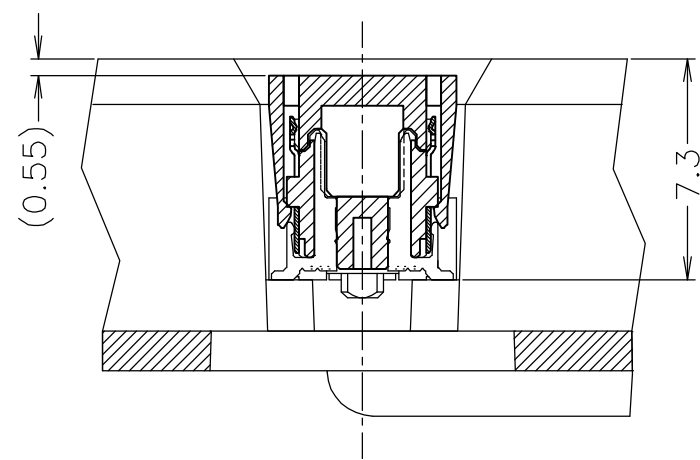
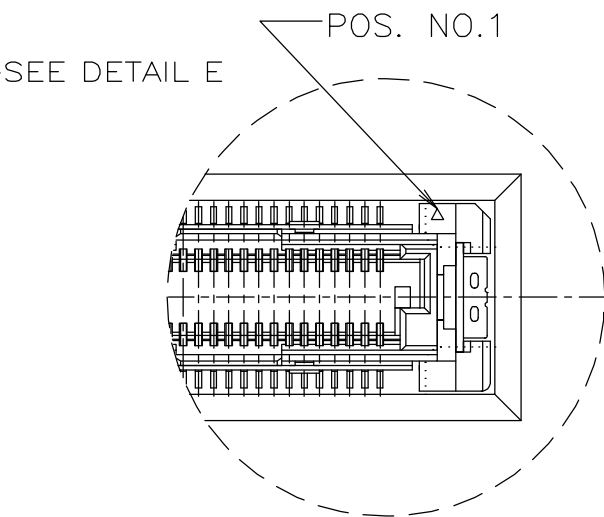
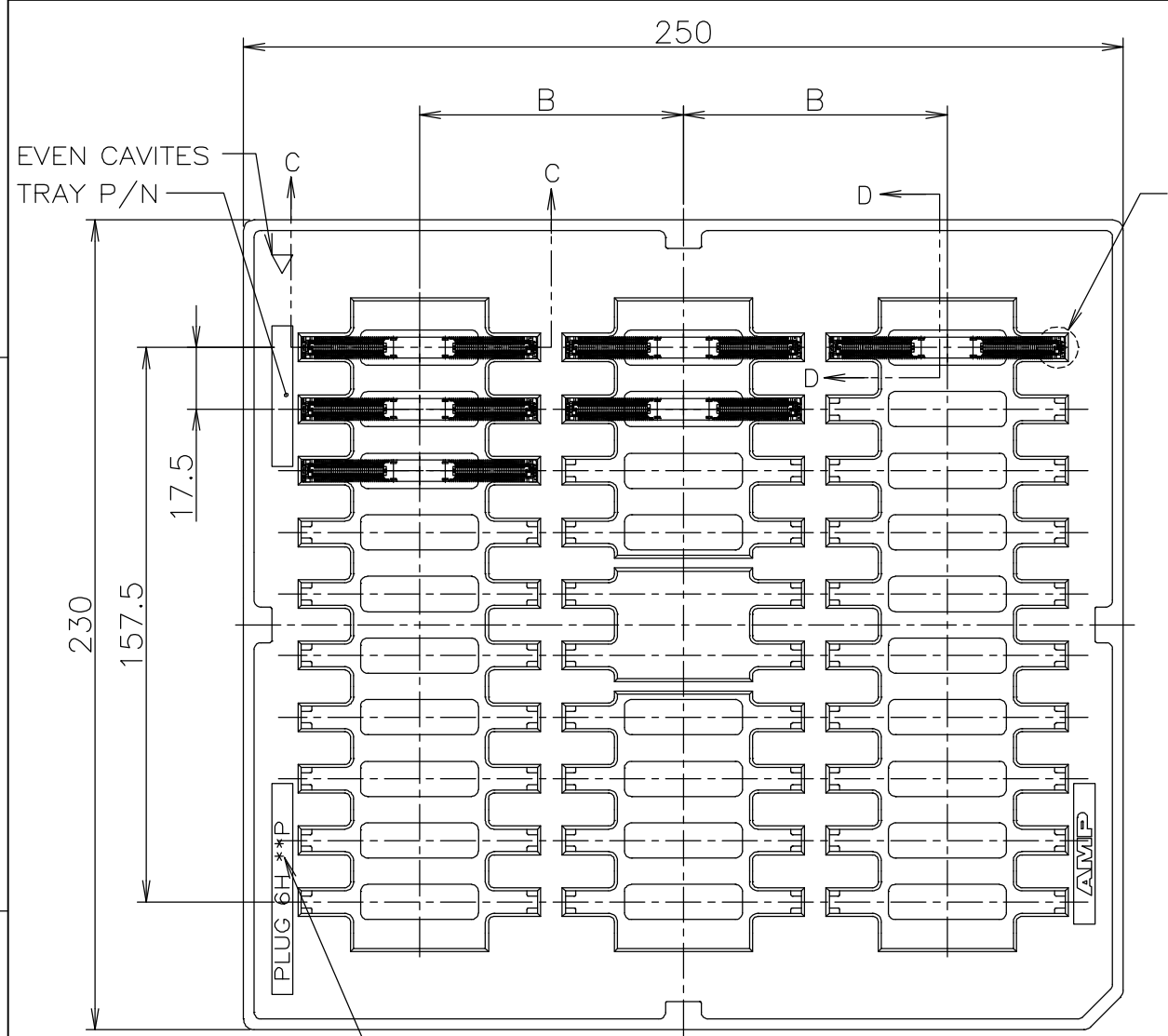
Email & Skype: info@chipsmall.com Web: www.chipsmall.com

Address: A1208, Overseas Decoration Building, #122 Zhenhua RD., Futian, Shenzhen, China



THIS DRAWING IS UNPUBLISHED. RELEASED FOR PUBLICATION MAR, 1999.  
 © COPYRIGHT 1999 BY TYCO ELECTRONICS CORPORATION. ALL RIGHTS RESERVED.

LOC	DIST	REVISIONS					
J	/	P	LTR	DESCRIPTION	DATE	DWN	APVD
		A	RELEASED		12OCT05	D.L	H.K

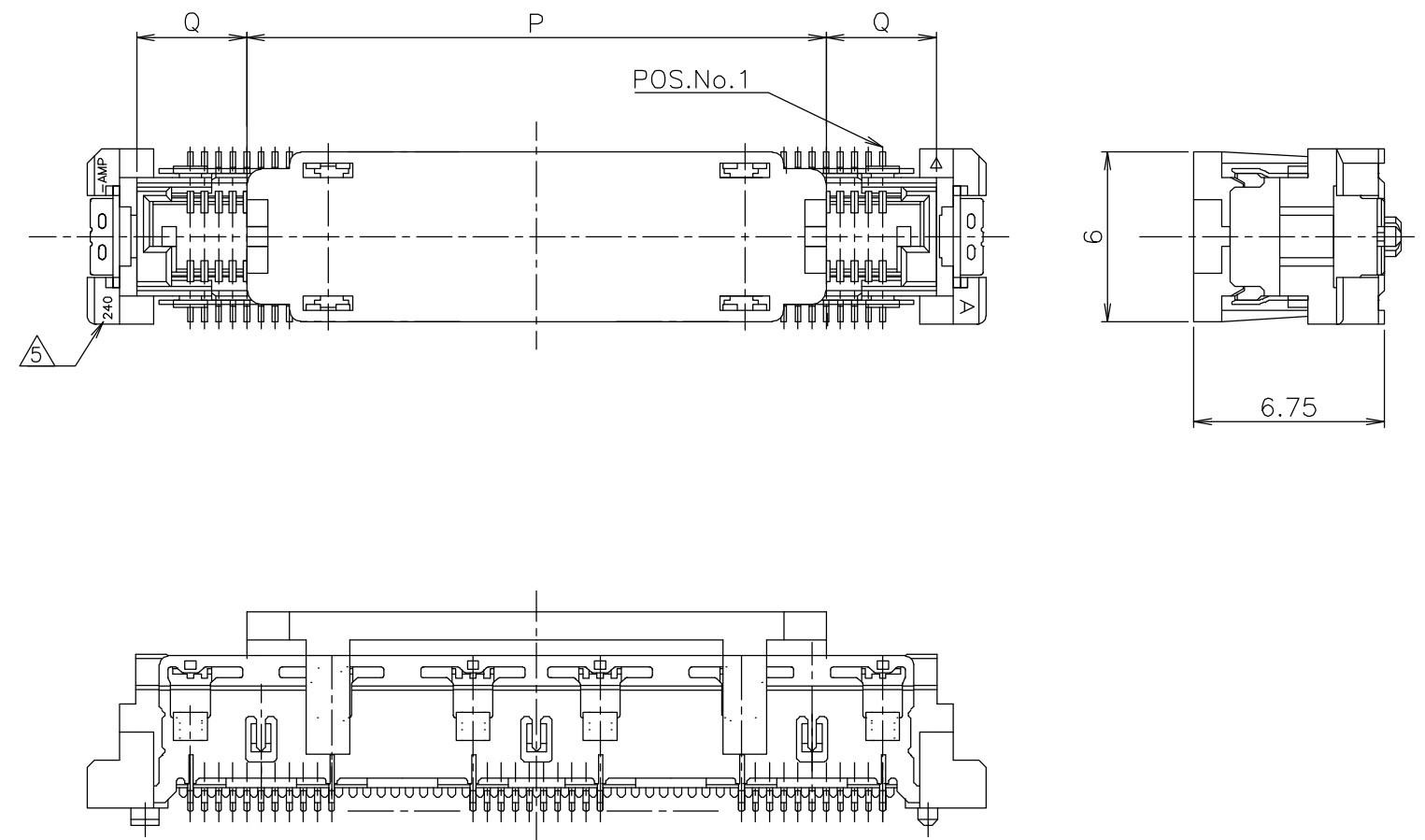


SIF COATING	TOOLING AVAIL	ROW	QTY	B	A	POS.	HSG COLOR	
							BLACK	NATURAL
N		3	30		66.8	240		
Y					61.8	220		6-5353614-6
N				75	56.8	200		
				70	51.8	180		
					49.3	170		
					46.8	160		
					44.3	150		
					41.8	140		
		3	30	70	36.8	120		
		5	50	43	31.8	100		
					29.3	90		
					26.8	80		
					24.3	70		
					21.8	60		
					19.3	50		
					16.8	40		
N		5	50	43	14.3	30		3-5353614-7
Y		3	30		66.8	240		1-5353614-6
Y					61.8	220		
N				75	56.8	200		
				70	51.8	180		
					49.3	170		
					46.8	160		
					44.3	150		
					41.8	140		
		3	30	70	36.8	120		
		5	50	43	31.8	100		
					29.3	90		
					26.8	80		
					24.3	70		
					21.8	60		
					19.3	50		
					16.8	40		
N		5	50	43	14.3	30		

THIS DRAWING IS A CONTROLLED DOCUMENT.		DWN D.LIU	12OCT05	<b>tyco</b> <b>Electronics</b>	Tyco Electronics AMP K.K. Kawasaki, Japan		
DIMENSIONS: MM		CHK T.FUTATSUGI	12OCT05		NAME		
TOLERANCES UNLESS OTHERWISE SPECIFIED:		APVD W.KODAMA	12OCT05	PRODUCT SPEC			
0 PLC ± 0.3		APPLICATION SPEC		HARD TRAY ASSY			
1 PLC ± 0.3		108-5560		FH 0.5BTB CONN. PLUG 6H			
2 PLC ± 0.3		WEIGHT		WITH G-PLATE AND CAP			
3 PLC ± 0.3		CUSTOMER DRAWING		SIZE	CAGE CODE	DRAWING NO	RESTRICTED TO
4 PLC ± 0.3		SCALE 1:2		A3	00779	C-5353614	
ANGLES ± 3'		SHEET 1 OF 5		REV A			
FINISH		REV A					

THIS DRAWING IS UNPUBLISHED.      RELEASED FOR PUBLICATION      MAR , 1999.  
 © COPYRIGHT 1999 BY TYCO ELECTRONICS CORPORATION.      ALL RIGHTS RESERVED.

LOC	DIST	REVISIONS			
P	LTR	DESCRIPTION	DATE	DWN	APVD
		SEE SHEET 1	-	-	-



21.4	20.5	240
18.9	↑	220
16.4		200
13.9		180
12.65		170
11.4		160
10.15		150
8.9	↓	140
6.4	20.5	120
8.9	10.5	100
7.65	↑	90
6.4		80
5.15	↓	70
3.9	10.5	60
3.9	8	50
1.4	10.5	40
1.4	8	30
Q	P	POS.

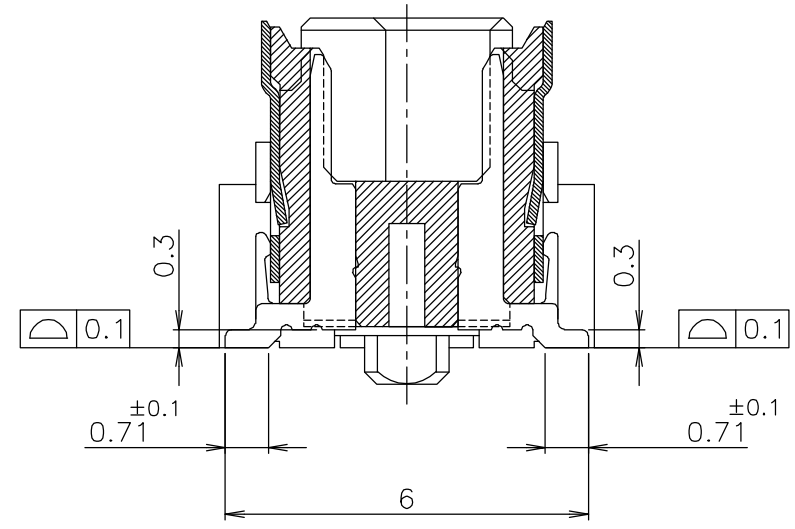
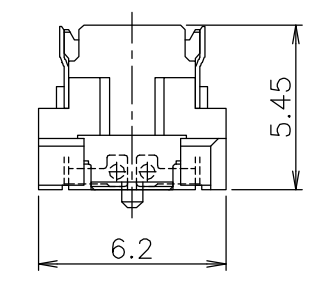
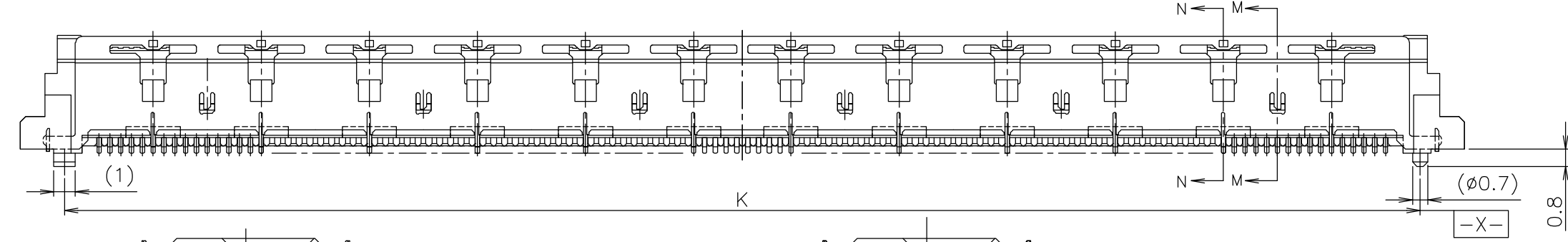
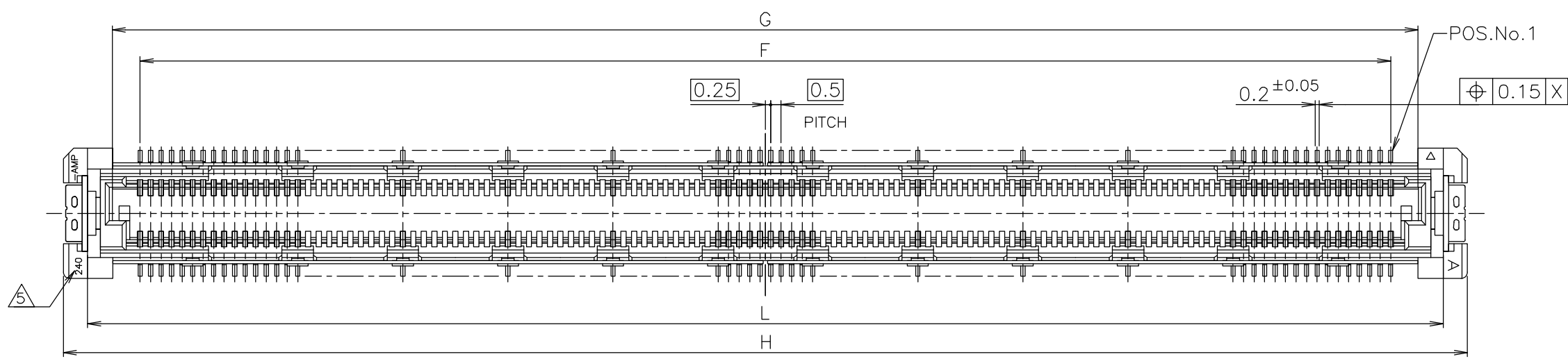
NOTES

- ① MATERIAL ; HOUSING : HIGH TEMP THERMO PLASTIC UL94V-0
- ② FINISH ; SIGNAL CONTACT : UNDER PL Ni 0.0013mm MIN ALL OVER.  
CONTACT AREA 0.0002mm MIN Au PL.  
SOLDERING AREA 0.001mm MIN TIN PL.  
GROUND CONTACT : UNDER PL Ni 0.0013mm MIN ALL OVER.  
CONTACT AREA 0.0002mm MIN Au PL.  
SOLDERING AREA 0.001mm MIN TIN PL.  
SOLDER PEG : 0.001mm MIN TIN PL. OVER  
0.0013mm MIN Ni PL ALL OVER.
- ③ THIS POSITION IS GROUND CIRCUIT.
- ④ THIS PRODUCT WAS COATED BY ANTI-FLUX-PENETRATION AGENT.
- ⑤ NO. OF CIRCUIT (DEPEND ON CONNECTOR POS).

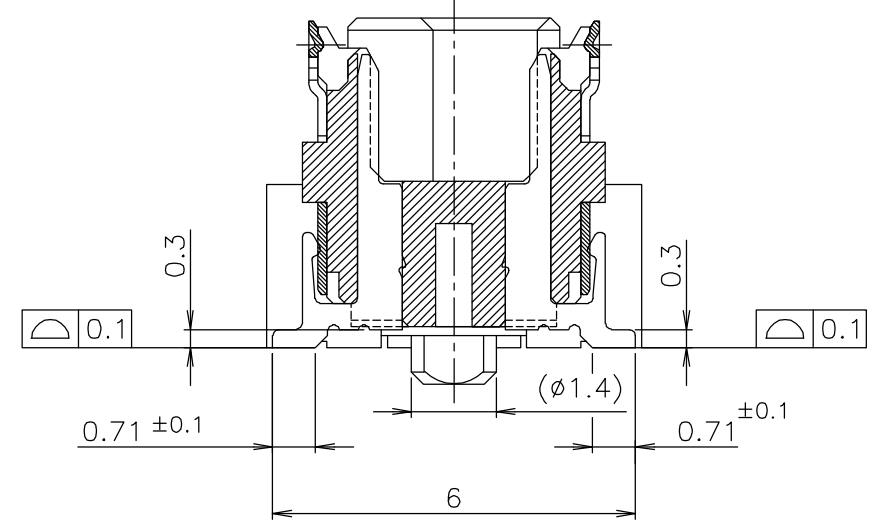
THIS DRAWING IS A CONTROLLED DOCUMENT.		DWN	Tyco Electronics AMP K.K. Kawasaki.Japan		
DIMENSIONS: MM		CHK			
TOLERANCES UNLESS OTHERWISE SPECIFIED:		APVD	NAME		
0 PLC ± -		PRODUCT SPEC	HARD TRAY ASSY		
1 PLC ± -		APPLICATION SPEC	FH 0.5BTB CONN. PLUG 6H		
2 PLC ± -		WEIGHT	WITH G-PLATE AND CAP		
3 PLC ± -		SIZE	CAGE CODE	DRAWING NO	RESTRICTED TO
4 PLC ± -		A3	00779	C-5353614	
ANGLES ± -		CUSTOMER DRAWING			
FINISH		SCALE	SHEET	OF	REV
		4:1	2	5	A

THIS DRAWING IS UNPUBLISHED. RELEASED FOR PUBLICATION MAR, 1999.  
 © COPYRIGHT 1999 BY TYCO ELECTRONICS CORPORATION. ALL RIGHTS RESERVED.

LOC	DIST	REVISIONS					
J	/	P	LTR	DESCRIPTION	DATE	DWN	APVD
			-	SEE SHEET 1	-	-	-



SECT. M-M  
(SIGNAL POSITION)  
(SCALE 8:1)



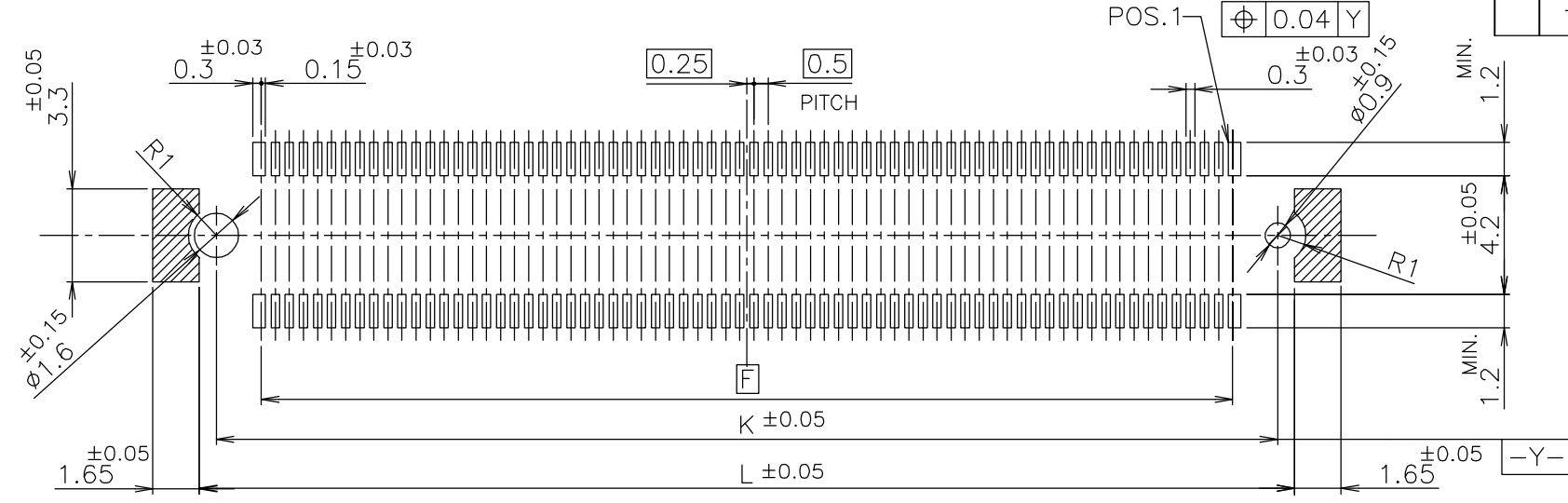
SECT. N-N  
(GRAND POSITION)  
(SCALE 8:1)

64.5	62.7	66.8	62.1	59.5	240
59.5	57.7	61.8	57.1	54.5	220
54.5	52.7	56.8	52.1	49.5	200
49.5	47.7	51.8	47.1	44.5	180
47	45.2	49.3	44.6	42	170
44.5	42.7	46.8	42.1	39.5	160
42	40.2	44.3	39.6	37	150
39.5	37.7	41.8	37.1	34.5	140
34.5	32.7	36.8	32.1	29.5	120
29.5	27.7	31.8	27.1	24.5	100
27	25.2	29.3	24.6	22	90
24.5	22.7	26.8	22.1	19.5	80
22	20.2	24.3	19.6	17	70
19.5	17.7	21.8	17.1	14.5	60
17	15.2	19.3	14.6	12	50
14.5	12.7	16.8	12.1	9.5	40
12	10.2	14.3	9.6	7	30
L	K	H	G	F	POS.

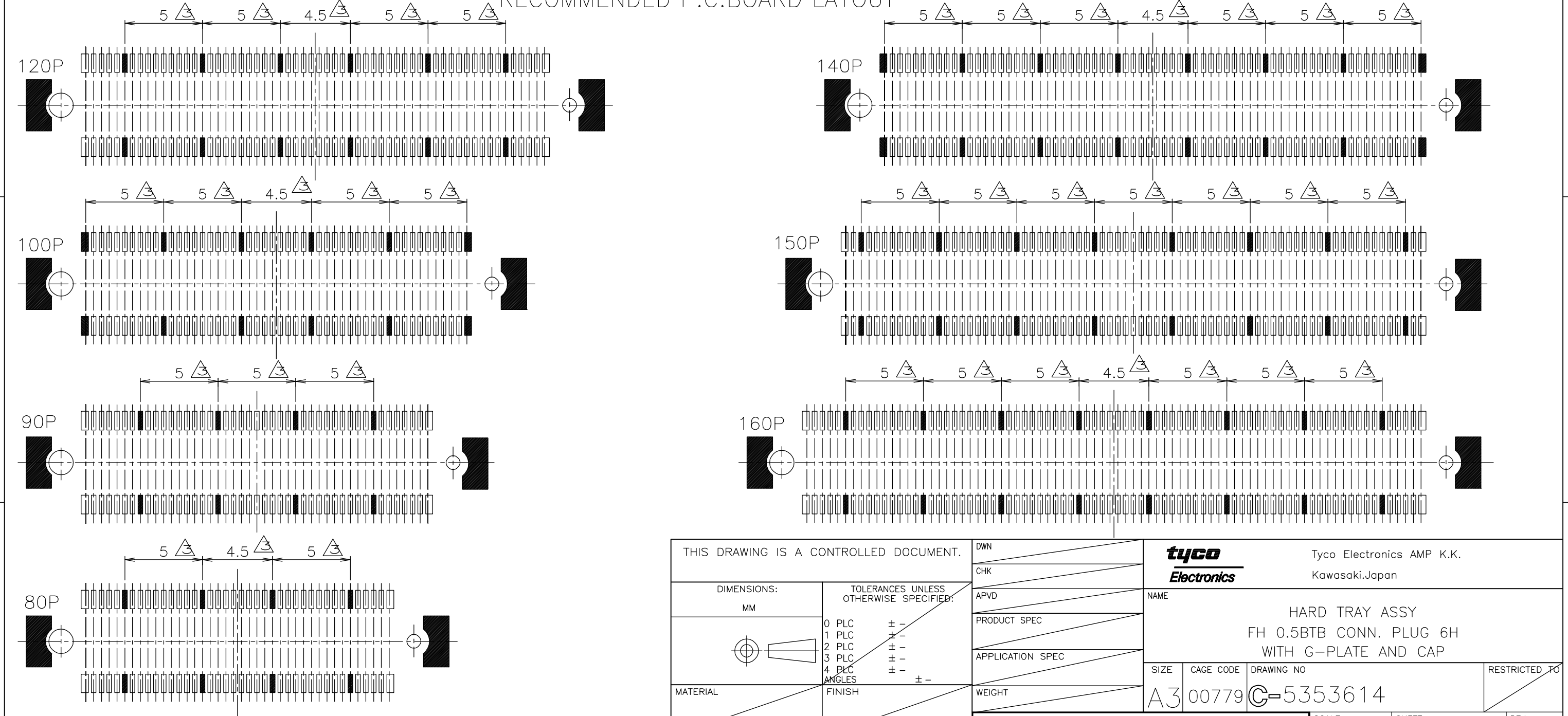
THIS DRAWING IS A CONTROLLED DOCUMENT.		DWN	Tyco Electronics AMP K.K. Kawasaki, Japan		
DIMENSIONS: MM		CHK			
TOLERANCES UNLESS OTHERWISE SPECIFIED:		APVD	NAME		
0 PLC ± -		PRODUCT SPEC	HARD TRAY ASSY		
1 PLC ± -		APPLICATION SPEC	FH 0.5BTB CONN. PLUG 6H		
2 PLC ± -		WEIGHT	WITH G-PLATE AND CAP		
3 PLC ± -		SIZE	CAGE CODE	DRAWING NO	RESTRICTED TO
4 PLC ± -		A3 00779		C-5353614	
ANGLES ± -		CUSTOMER DRAWING			
FINISH ± -		SCALE	SHEET	OF	REV
		4:1	3	5	A

THIS DRAWING IS UNPUBLISHED. RELEASED FOR PUBLICATION MAR , 1999.  
 © COPYRIGHT 1999 BY TYCO ELECTRONICS CORPORATION. ALL RIGHTS RESERVED.

LOC		DIST		REVISIONS			DATE	DWN	APVD
J				P	LTR	DESCRIPTION			
				-		SEE SHEET 1	-	-	-



RECOMMENDED P.C.BOARD LAYOUT



THIS DRAWING IS A CONTROLLED DOCUMENT.		DWN	Tyco Electronics AMP K.K. Kawasaki, Japan			
DIMENSIONS: MM		CHK				
		APVD	NAME			
		PRODUCT SPEC	HARD TRAY ASSY FH 0.5BTB CONN. PLUG 6H WITH G-PLATE AND CAP			
MATERIAL		APPLICATION SPEC	SIZE	CAGE CODE	DRAWING NO	RESTRICTED TO
		WEIGHT	A3	00779	C-5353614	
CUSTOMER DRAWING			SCALE	SHEET	OF	REV
			4:1	4	5	A

4

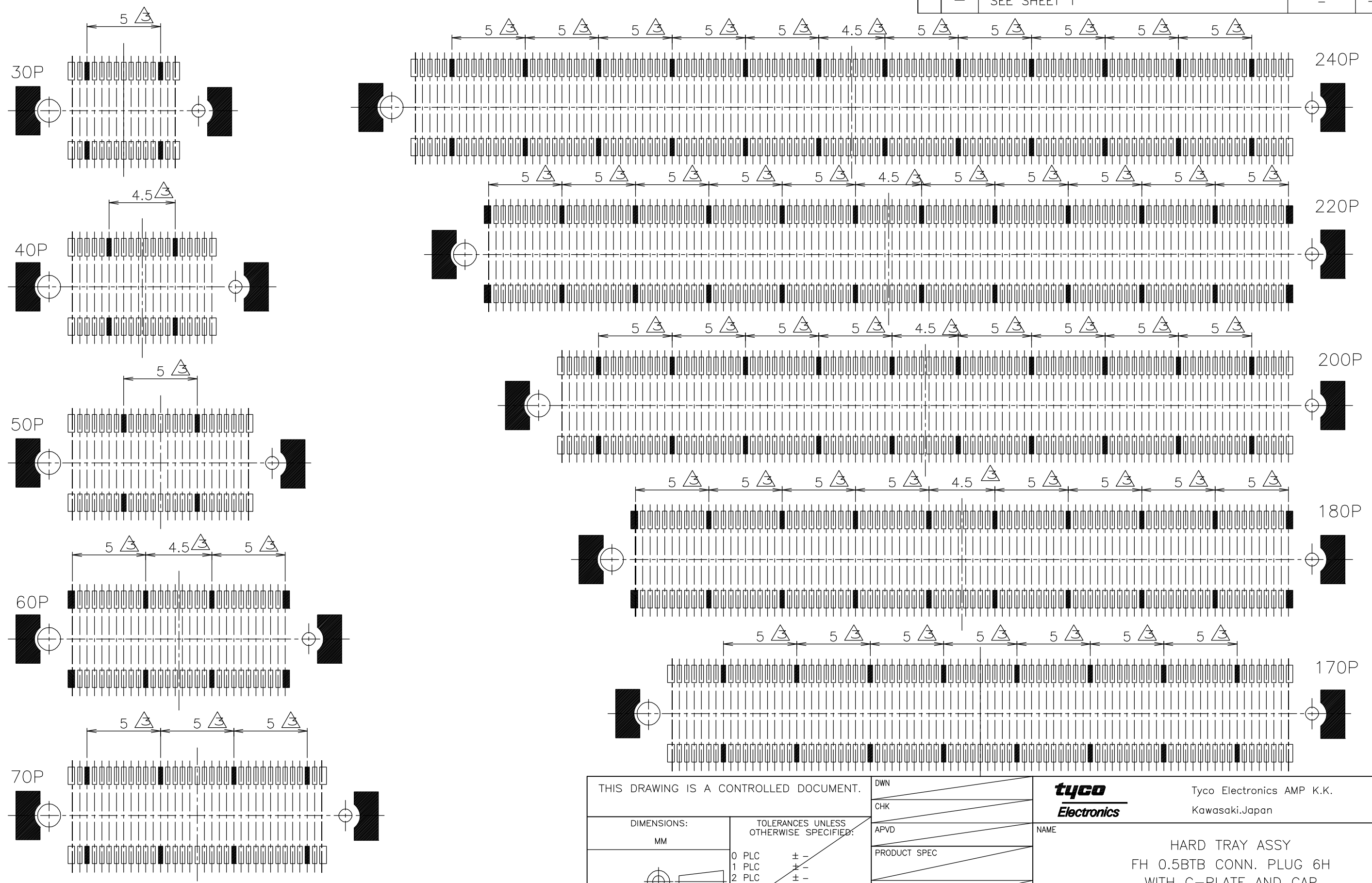
3

2

1

THIS DRAWING IS UNPUBLISHED. RELEASED FOR PUBLICATION MAR , 1999.  
 © COPYRIGHT 1999 BY TYCO ELECTRONICS CORPORATION. ALL RIGHTS RESERVED.

LOC	DIST	REVISIONS			DATE	DWN	APVD
J	/	P	LTR	DESCRIPTION			
				SEE SHEET 1	-	-	-



THIS DRAWING IS A CONTROLLED DOCUMENT.		DWN	 Tyco Electronics AMP K.K. Kawasaki, Japan			
DIMENSIONS: MM		CHK				
TOLERANCES UNLESS OTHERWISE SPECIFIED: 0 PLC ± - 1 PLC ± - 2 PLC ± - 3 PLC ± - 4 PLC ± - ANGLES ± - FINISH		APVD	NAME			
MATERIAL		PRODUCT SPEC	HARD TRAY ASSY FH 0.5BTB CONN. PLUG 6H WITH G-PLATE AND CAP			
		APPLICATION SPEC	SIZE	CAGE CODE	DRAWING NO	RESTRICTED TO
		WEIGHT	A3	00779	C-5353614	
CUSTOMER DRAWING			SCALE	SHEET	OF	REV
			4:1	5	5	A