



Chipsmall Limited consists of a professional team with an average of over 10 year of expertise in the distribution of electronic components. Based in Hongkong, we have already established firm and mutual-benefit business relationships with customers from,Europe,America and south Asia,supplying obsolete and hard-to-find components to meet their specific needs.

With the principle of “Quality Parts,Customers Priority,Honest Operation,and Considerate Service”,our business mainly focus on the distribution of electronic components. Line cards we deal with include Microchip,ALPS,ROHM,Xilinx,Pulse,ON,Everlight and Freescale. Main products comprise IC,Modules,Potentiometer,IC Socket,Relay,Connector.Our parts cover such applications as commercial,industrial, and automotives areas.

We are looking forward to setting up business relationship with you and hope to provide you with the best service and solution. Let us make a better world for our industry!



Contact us

Tel: +86-755-8981 8866 Fax: +86-755-8427 6832

Email & Skype: info@chipsmall.com Web: www.chipsmall.com

Address: A1208, Overseas Decoration Building, #122 Zhenhua RD., Futian, Shenzhen, China



4

3

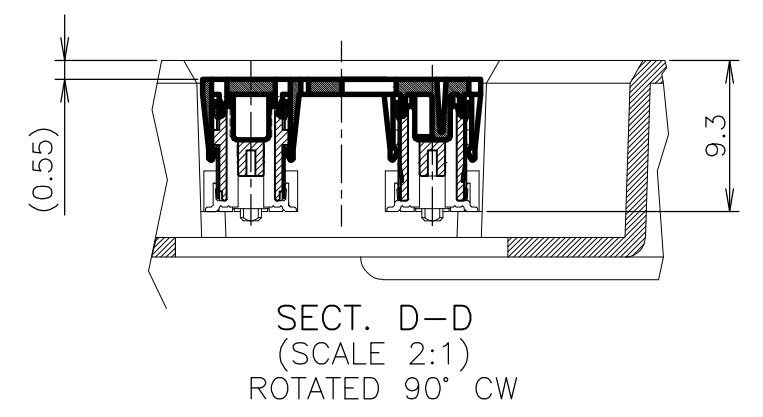
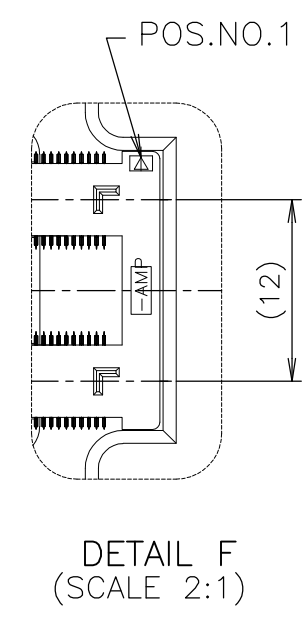
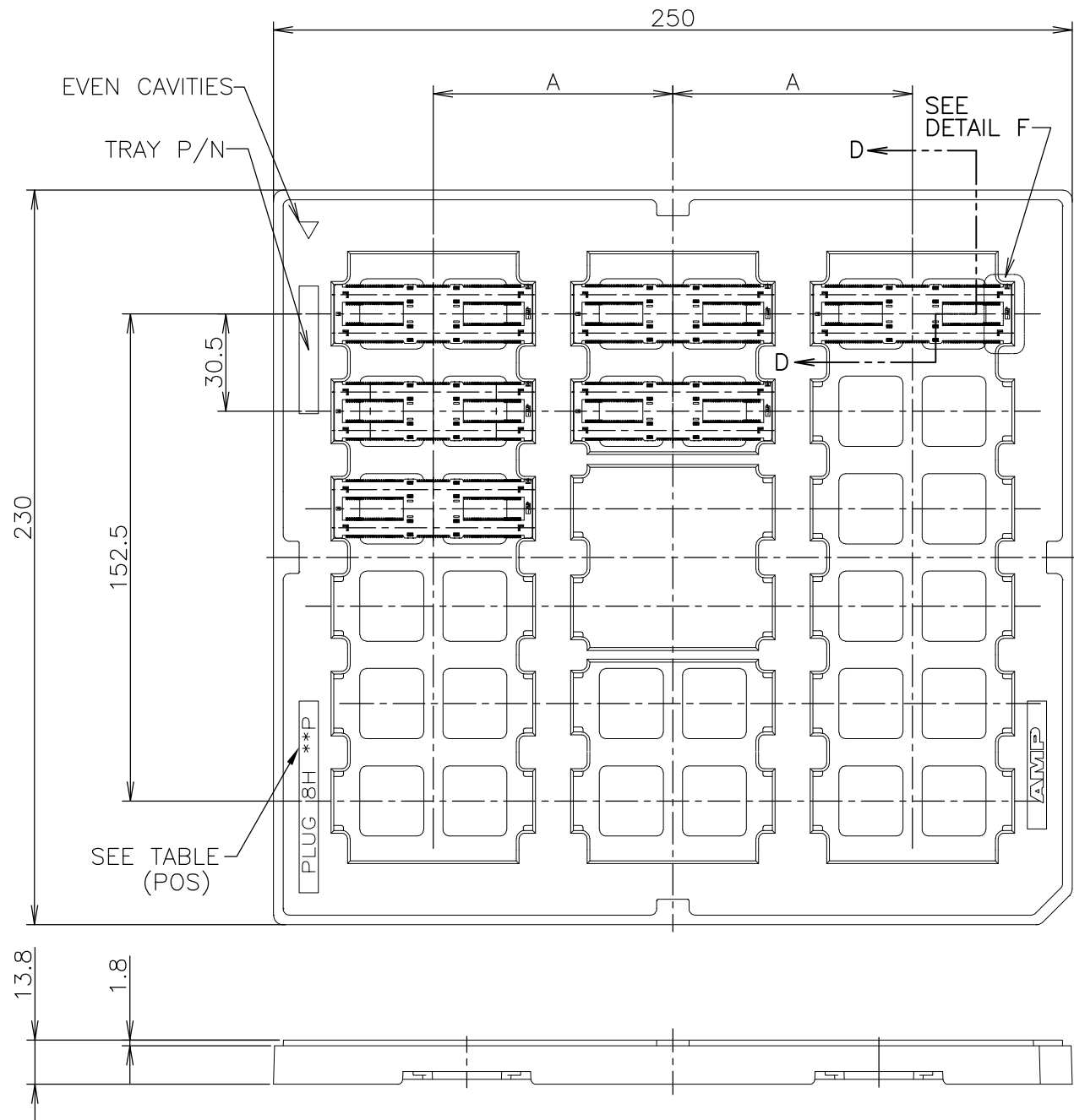
2

1

THIS DRAWING IS UNPUBLISHED. RELEASED FOR PUBLICATION
 © COPYRIGHT - By - ALL RIGHTS RESERVED.

LOC		DIST		REVISIONS			
P	LTR	DESCRIPTION		DATE	DWN	APVD	
	C2	REVISED PER ECO-11-005033		25MAR11	RK	HMR	

3-5353652-6:AS SHOWN



NO	3	18	75	440	3-5353652-6
SEALANT	ROW	QTY	A	POS.	PART NO.

THIS DRAWING IS A CONTROLLED DOCUMENT.		DWN	S.CH IEN	18MAY05	STE TE Connectivity
DIMENSIONS: MM		CHK	T.FUTATSUGI	18MAY05	
TOLERANCES UNLESS OTHERWISE SPECIFIED:		APVD	H.KODAMA	18MAY05	
0 PLC ± 0.3 1 PLC ± 0.3 2 PLC ± 0.3 3 PLC ± 0.3 4 PLC ± 0.3 ANGLES ± 3°		NAME		HARD TRAY ASSY	
MATERIAL		PRODUCT SPEC		FH 0.5BTB CONNECTOR	
FINISH		APPLICATION SPEC		PLUG 8H W/G-PLATE ON 2ROW CAP	
		WEIGHT		SIZE	CAGE CODE
		CUSTOMER DRAWING		A3	00779
		SCALE		DRAWING NO	RESTRICTED TO
		1:2		C-5353652	
		SHEET		REV	
		1 OF 8		C2	

4

3

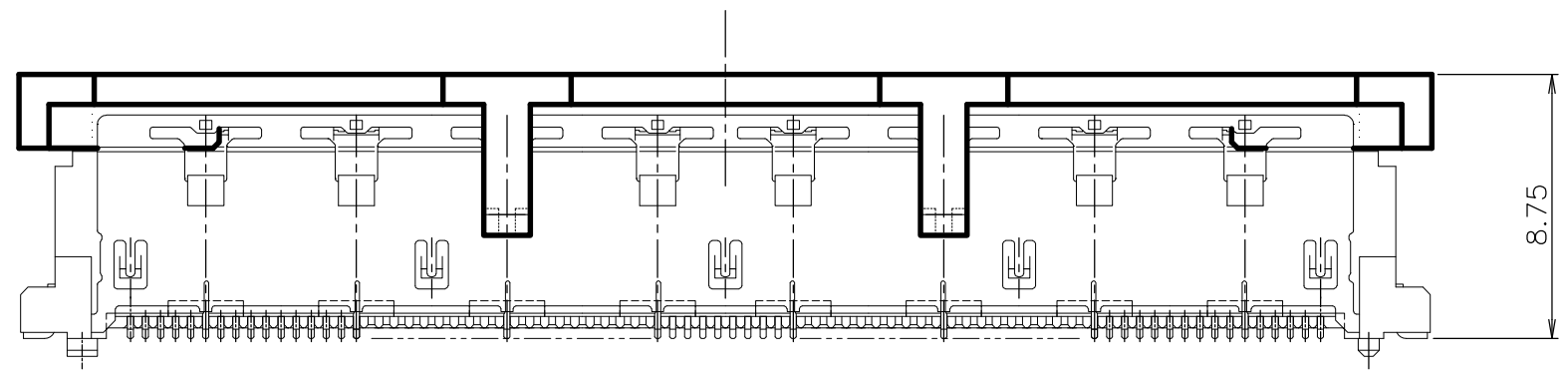
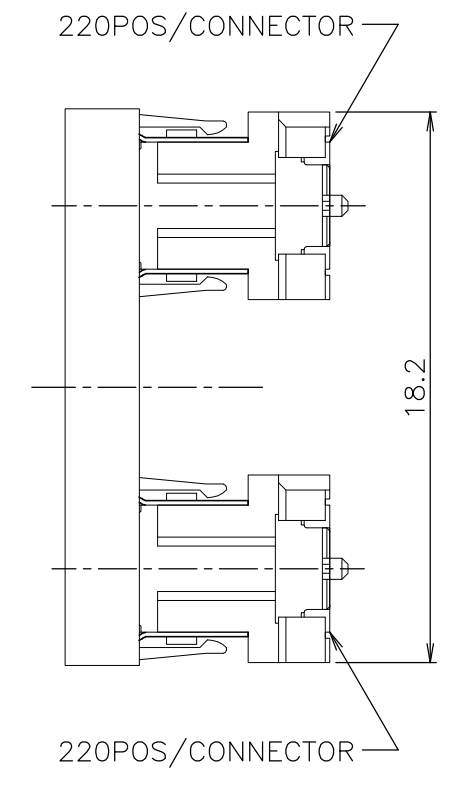
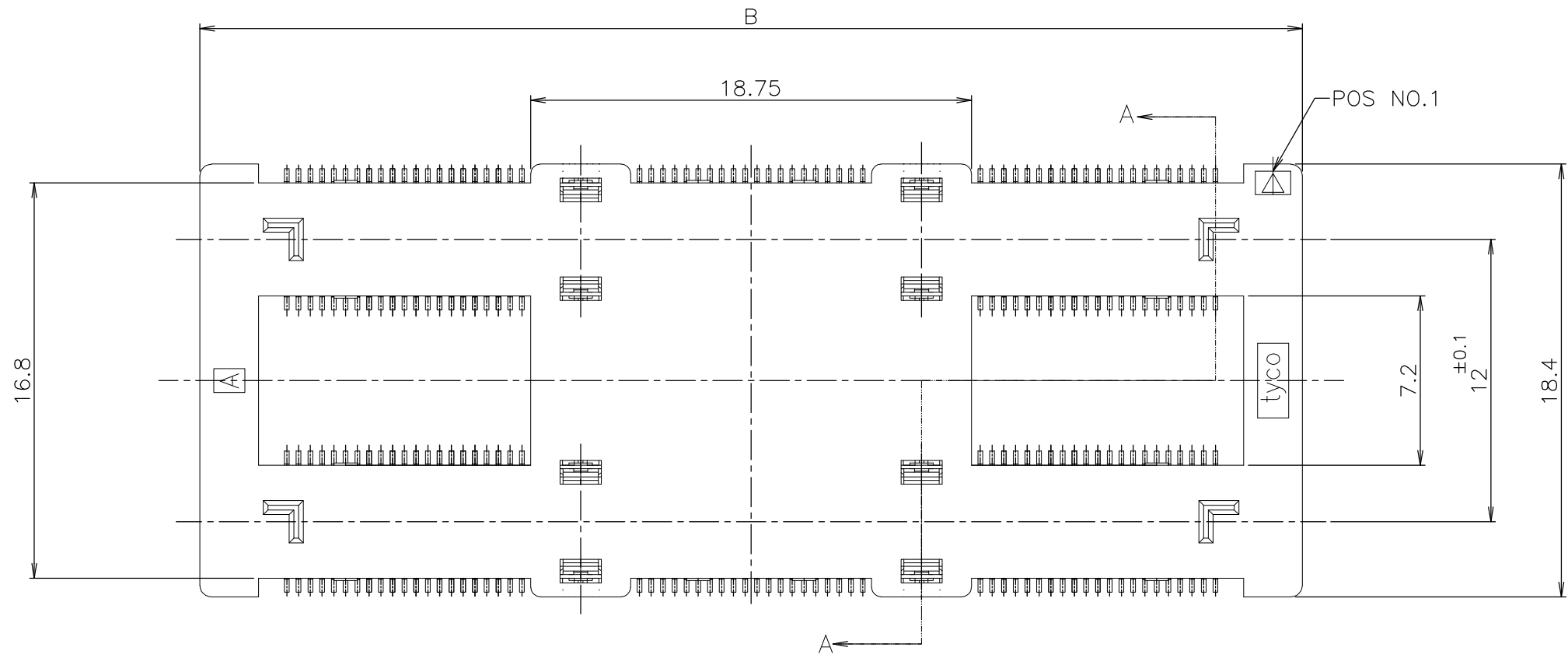
2

1

THIS DRAWING IS UNPUBLISHED. RELEASED FOR PUBLICATION
 © COPYRIGHT By - ALL RIGHTS RESERVED.

LOC	DIST	REVISIONS			
P	LTR	DESCRIPTION	DATE	DWN	APVD
ES	/	-	-	-	-
		-SEE SHEET 1-			

CAP SETTING CONDITION OF 3-5353652-6



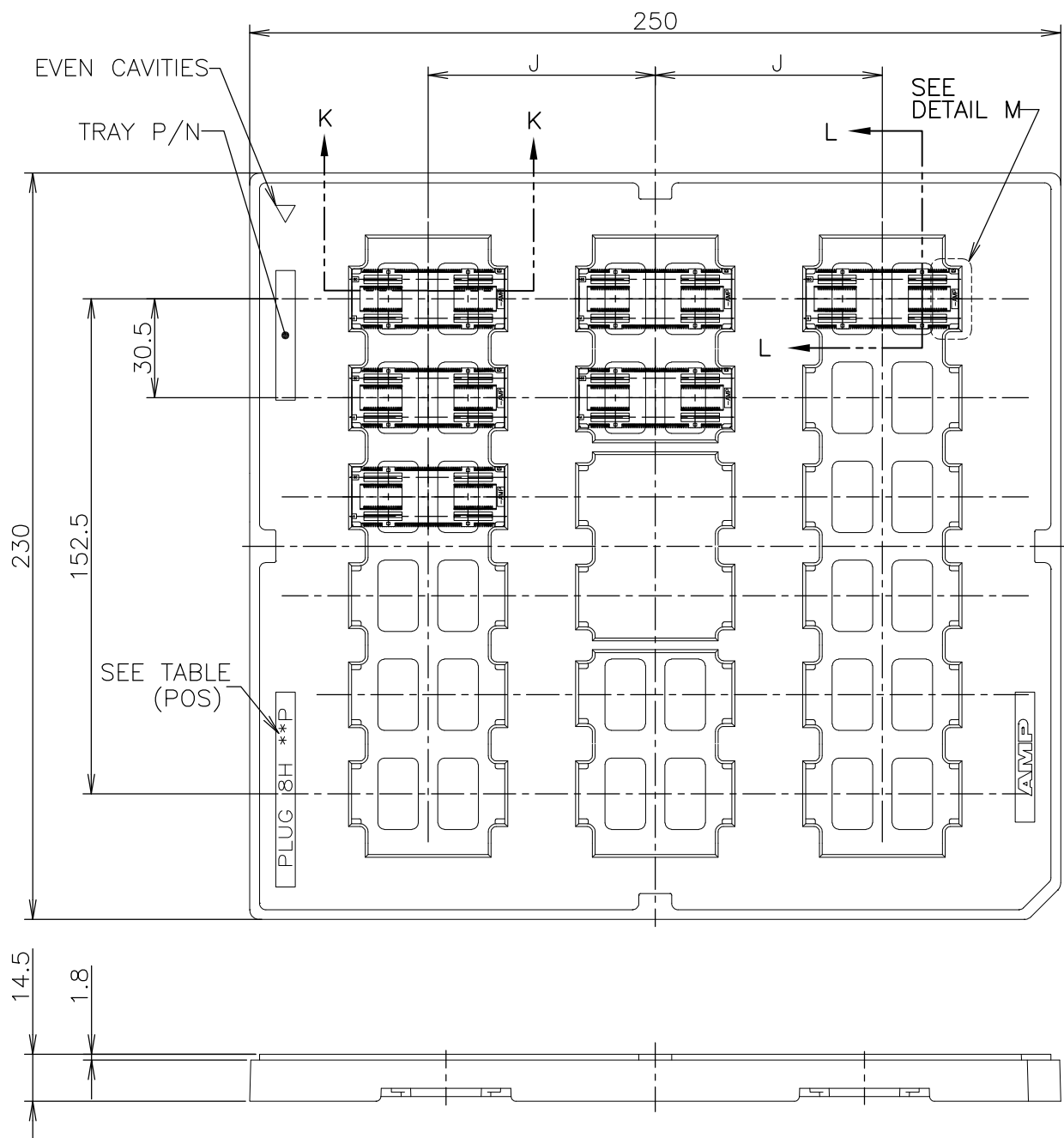
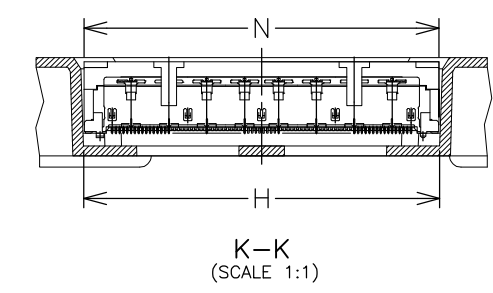
BLACK	61.9	440	3-5353652-6
CAP COLOR	B	POS	PART NO.

THIS DRAWING IS A CONTROLLED DOCUMENT.		DWN	TE Connectivity HARD TRAY ASSY FH 0.5BTB CONNECTOR PLUG 8H W/G-PLATE ON 2ROW CAP				
DIMENSIONS: MM		CHK					
TOLERANCES UNLESS OTHERWISE SPECIFIED: 0 PLC ± 0.3 1 PLC ± 0.3 2 PLC ± 0.3 3 PLC ± 0.3 4 PLC ± 0.3 ANGLES ± 3°		APVD					
MATERIAL		PRODUCT SPEC					
		APPLICATION SPEC	NAME	SIZE	CAGE CODE	DRAWING NO	RESTRICTED TO
		WEIGHT	A3		00779	C-5353652	-
CUSTOMER DRAWING			SCALE	SHEET	REV		
			4:1	2 OF 8	C2		

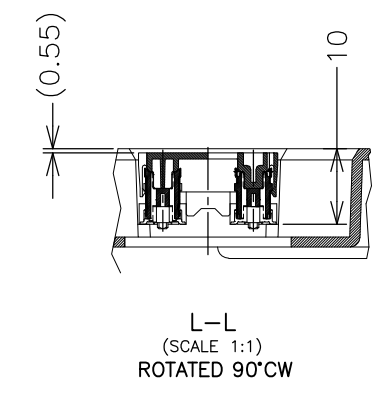
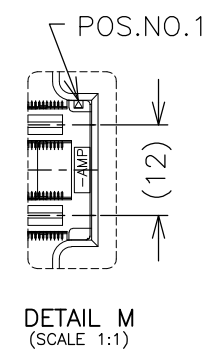
THIS DRAWING IS UNPUBLISHED. RELEASED FOR PUBLICATION
 © COPYRIGHT By - ALL RIGHTS RESERVED.

LOC	DIST	REVISIONS					
ES	/	P	LTR	DESCRIPTION	DATE	DWN	APVD
		-		SEE SHEET 1	-	-	-

6-5353652-2:AS SHOWN
 1-5353652-2:AS SHOWN



SEALANT	TOOLING	ROW	QTY	J	H	N	POS.	TRAY P/N	ON CAP CONN P/N	PART NO.
NOT AVAILABLE		3	18	↑	66.8	66.9	480	.	6-5353620-7	6-5353652-7
					61.8	61.9	440	.	6-↑-6	6-↑-6
					75	56.8	400	.	6-↑-5	6-↑-5
					70	51.8	360	.	6-↓-4	6-↓-4
NOT AVAILABLE				↑	49.3	49.4	340	.	6-5353620-3	6-5353652-3
AVAILABLE				↑	46.8	46.9	320	7-912066-6	6-5353620-2	6-5353652-2
NOT AVAILABLE					44.3	44.4	300	.	6-5353620-1	6-5353652-1
				↓	41.8	41.9	280	.	6-↑-0	6-↑-0
		3	18	70	36.8	36.9	240	.	5-↑-9	5-↑-9
		5	30	43	31.8	31.9	200	.	5-↑-8	5-↑-8
				↑	29.3	29.4	180	.	5-↑-7	5-↑-7
					26.8	26.9	160	.	5-↑-6	5-↑-6
					24.3	24.4	140	.	5-↑-5	5-↑-5
					21.8	21.9	120	.	5-↑-4	5-↑-4
					19.3	19.4	100	.	5-↑-3	5-↑-3
				↓	16.8	16.9	80	.	5-↓-2	5-↓-2
NOT AVAILABLE		5	30	43	14.3	14.4	60	.	5-5353620-1	5-5353652-1
NOT AVAILABLE		3	18	↑	66.8	66.9	480	.	1-5353620-7	1-5353652-7
					61.8	61.9	440	.	1-↑-6	1-↑-6
					75	56.8	400	.	1-↑-5	1-↑-5
					70	51.8	360	.	1-↓-4	1-↓-4
NOT AVAILABLE				↑	49.3	49.4	340	.	1-5353620-3	1-5353652-3
AVAILABLE				↑	46.8	46.9	320	7-912066-6	1-5353620-2	1-5353652-2
NOT AVAILABLE					44.3	44.4	300	.	1-5353620-1	1-5353652-1
				↓	41.8	41.9	280	.	1-↑-0	1-↑-0
		3	18	70	36.8	36.9	240	.		-9
		5	30	43	31.8	31.9	200	.		-8
				↑	29.3	29.4	180	.		-7
					26.8	26.9	160	.		-6
					24.3	24.4	140	.		-5
					21.8	21.9	120	.		-4
					19.3	19.4	100	.		-3
				↓	16.8	16.9	80	.		-2
NOT AVAILABLE		5	30	43	14.3	14.4	60	.	5353620-1	5353652-1



THIS DRAWING IS A CONTROLLED DOCUMENT.

DIMENSIONS: MM	TOLERANCES UNLESS OTHERWISE SPECIFIED:	DWN	 TE Connectivity
	0 PLC ± 0.3	CHK	
	1 PLC ± 0.3	APVD	
	2 PLC ± 0.3	PRODUCT SPEC	
	3 PLC ± 0.3	APPLICATION SPEC	NAME
	4 PLC ± 0.3	WEIGHT	HARD TRAY ASSY
MATERIAL	FINISH	CUSTOMER DRAWING	FH 0.5BTB CONNECTOR
		SCALE 1:2	PLUG 8H W/G-PLATE ON 2ROW CAP
		SHEET 3 OF 8	RESTRICTED TO
		REV C2	

SIZE A3 CAGE CODE 00779 DRAWING NO C-5353652

4

3

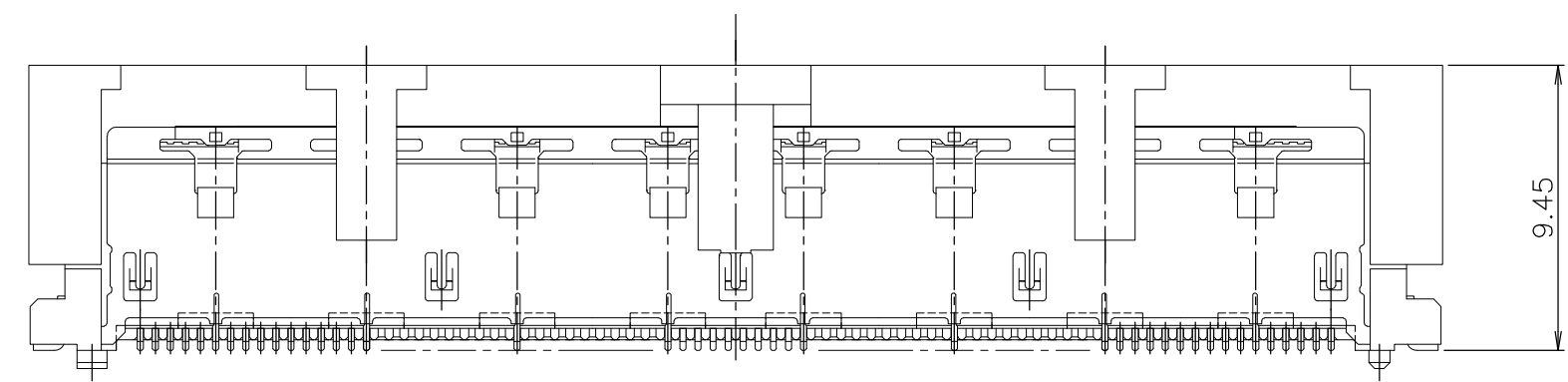
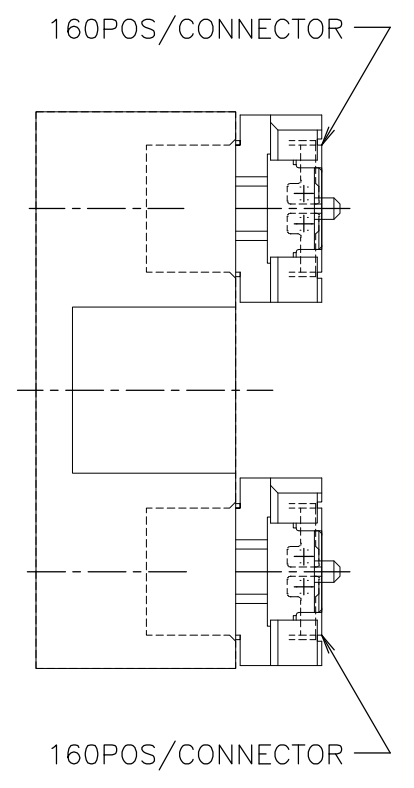
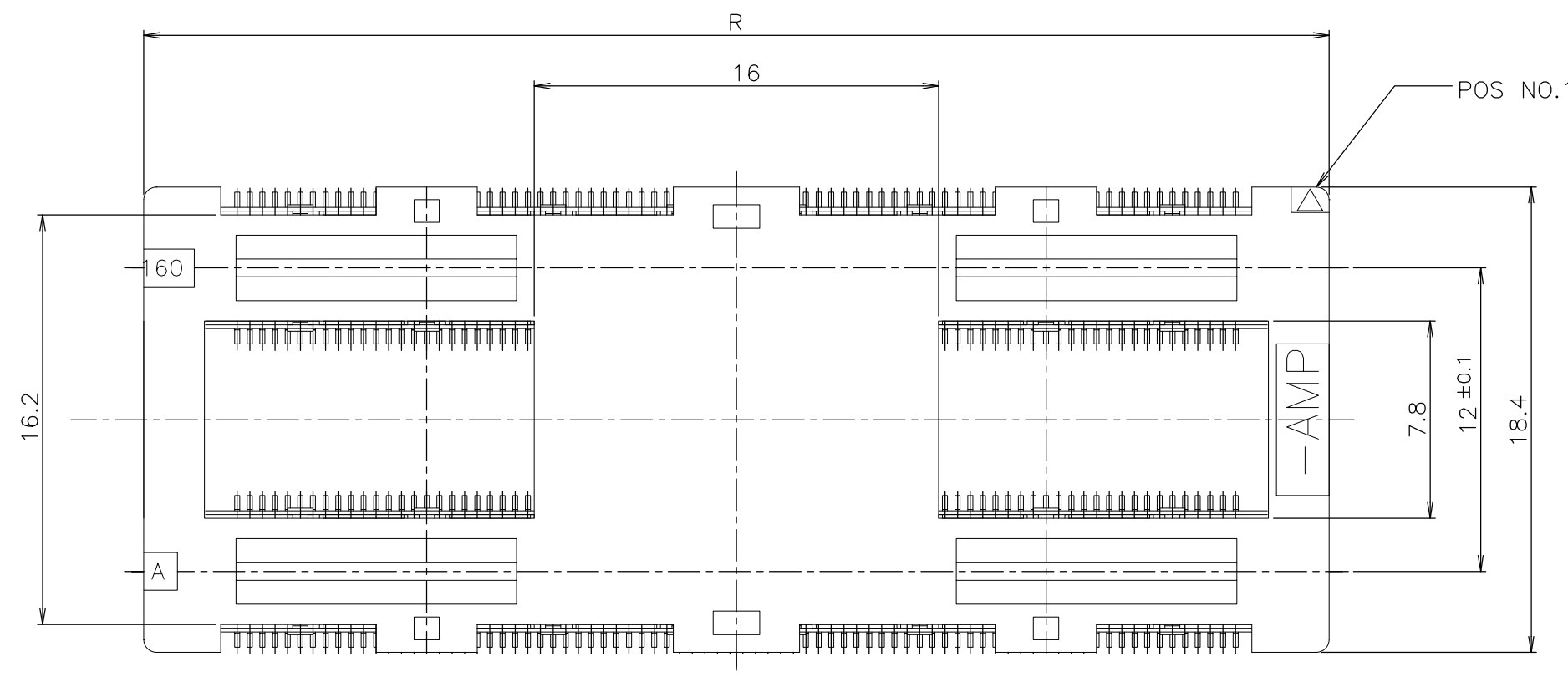
2

1

THIS DRAWING IS UNPUBLISHED. RELEASED FOR PUBLICATION
 © COPYRIGHT By - ALL RIGHTS RESERVED.

LOC	DIST	REVISIONS			
P	LTR	DESCRIPTION	DATE	DWN	APVD
ES	/	SEE SHEET 1	-	-	-

CAP SETTING CONDITION OF 1-5353652-2 & 6-5353652-2

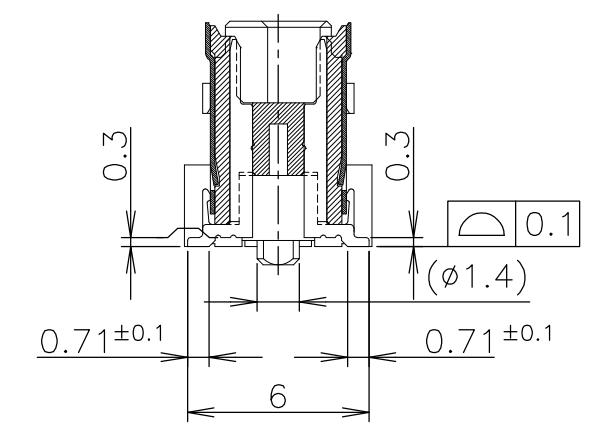
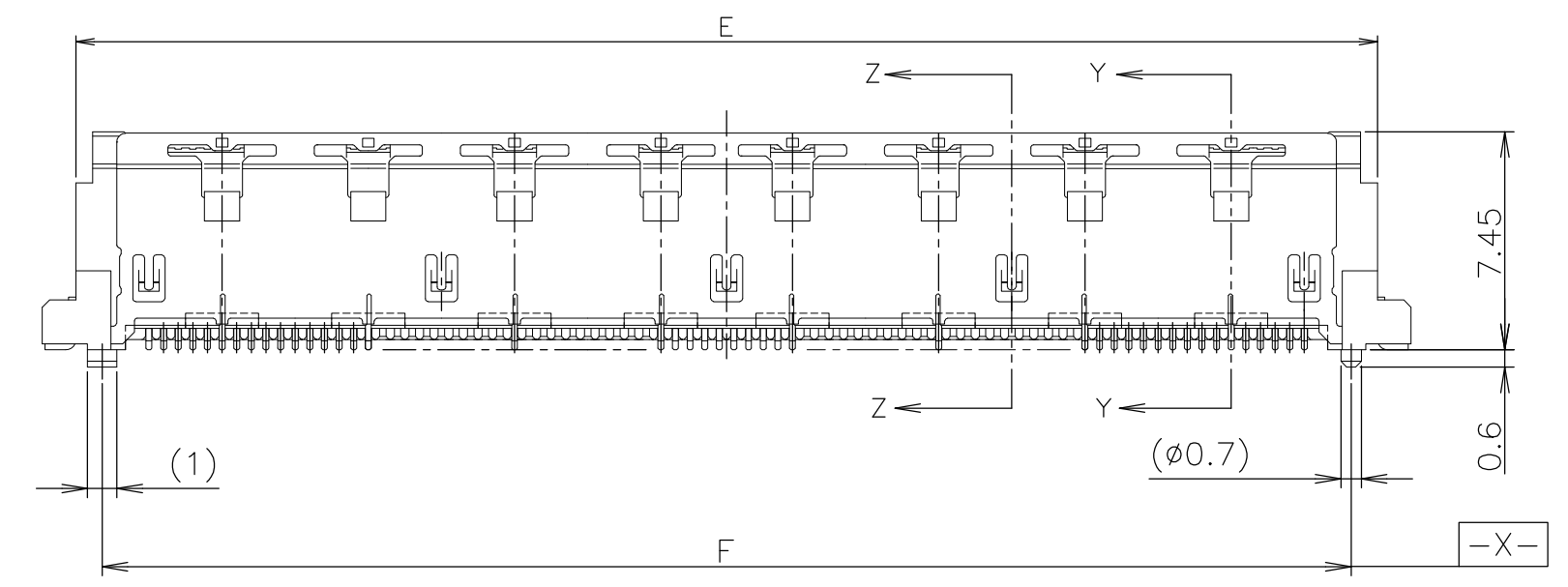
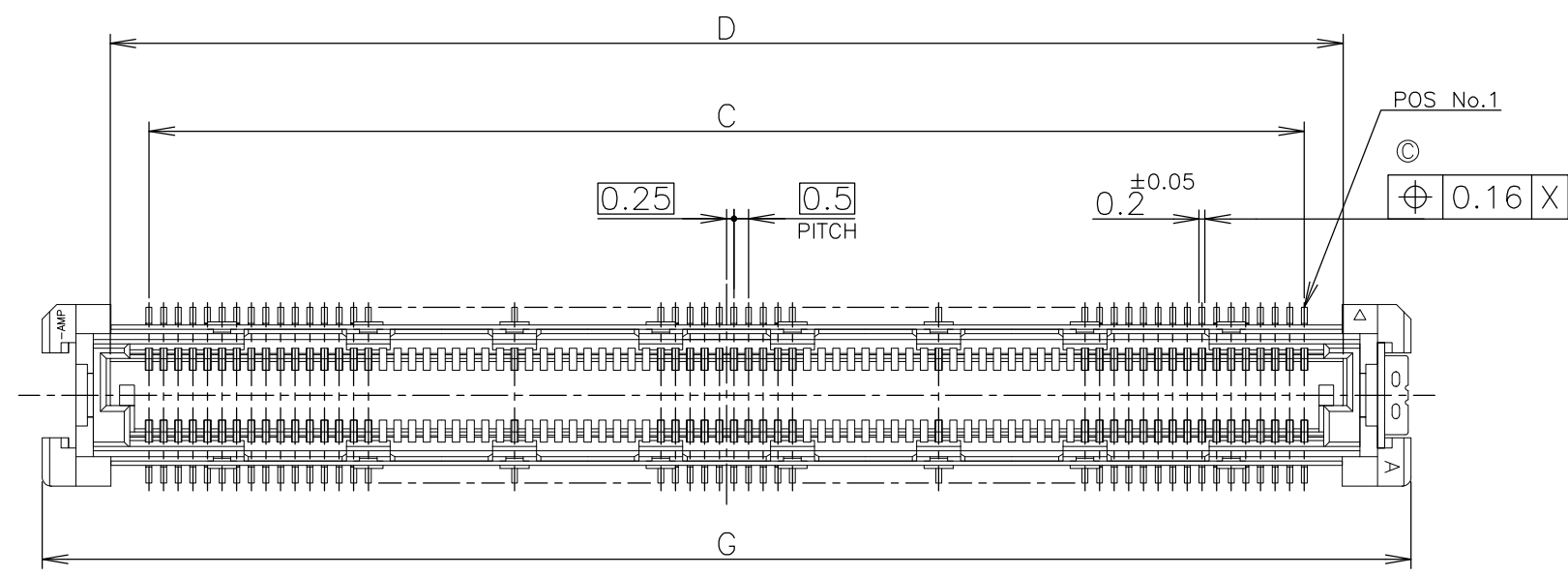


YES	NATURAL	46.9	320	6-5353652-2
NO	NATURAL	46.9	320	1-5353652-2
SEALANT	CAP COLOR	R	POS	PART NO.

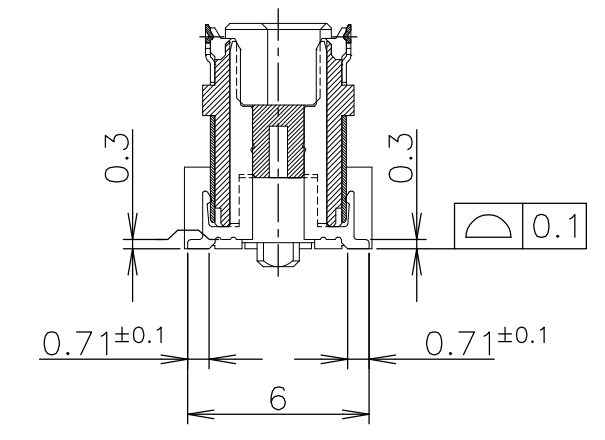
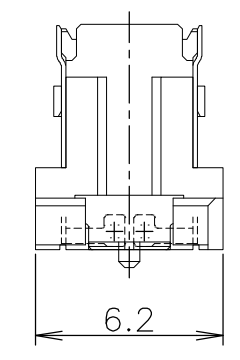
THIS DRAWING IS A CONTROLLED DOCUMENT.		DWN	TE Connectivity HARD TRAY ASSY FH 0.5BTB CONNECTOR PLUG 8H W/G-PLATE ON 2ROW CAP			
DIMENSIONS: MM		CHK				NAME
TOLERANCES UNLESS OTHERWISE SPECIFIED: 0 PLC ± 0.3 1 PLC ± 0.3 2 PLC ± 0.3 3 PLC ± 0.3 4 PLC ANGLES ± 3°		APVD				PRODUCT SPEC
		APVD				APPLICATION SPEC
MATERIAL		WEIGHT	SIZE	CAGE CODE	DRAWING NO	RESTRICTED TO
			A3	00779	C-5353652	
CUSTOMER DRAWING			SCALE	SHEET	REV	
			4:1	4 OF 8	C2	

THIS DRAWING IS UNPUBLISHED. RELEASED FOR PUBLICATION
 © COPYRIGHT By - ALL RIGHTS RESERVED.

LOC	DIST	REVISIONS			
P	LTR	DESCRIPTION	DATE	DWN	APVD
ES	/	SEE SHEET 1	-	-	-



SECT. Z-Z
(SIGNAL POSITION)



SECT. Y-Y
(GROUND POSITION)

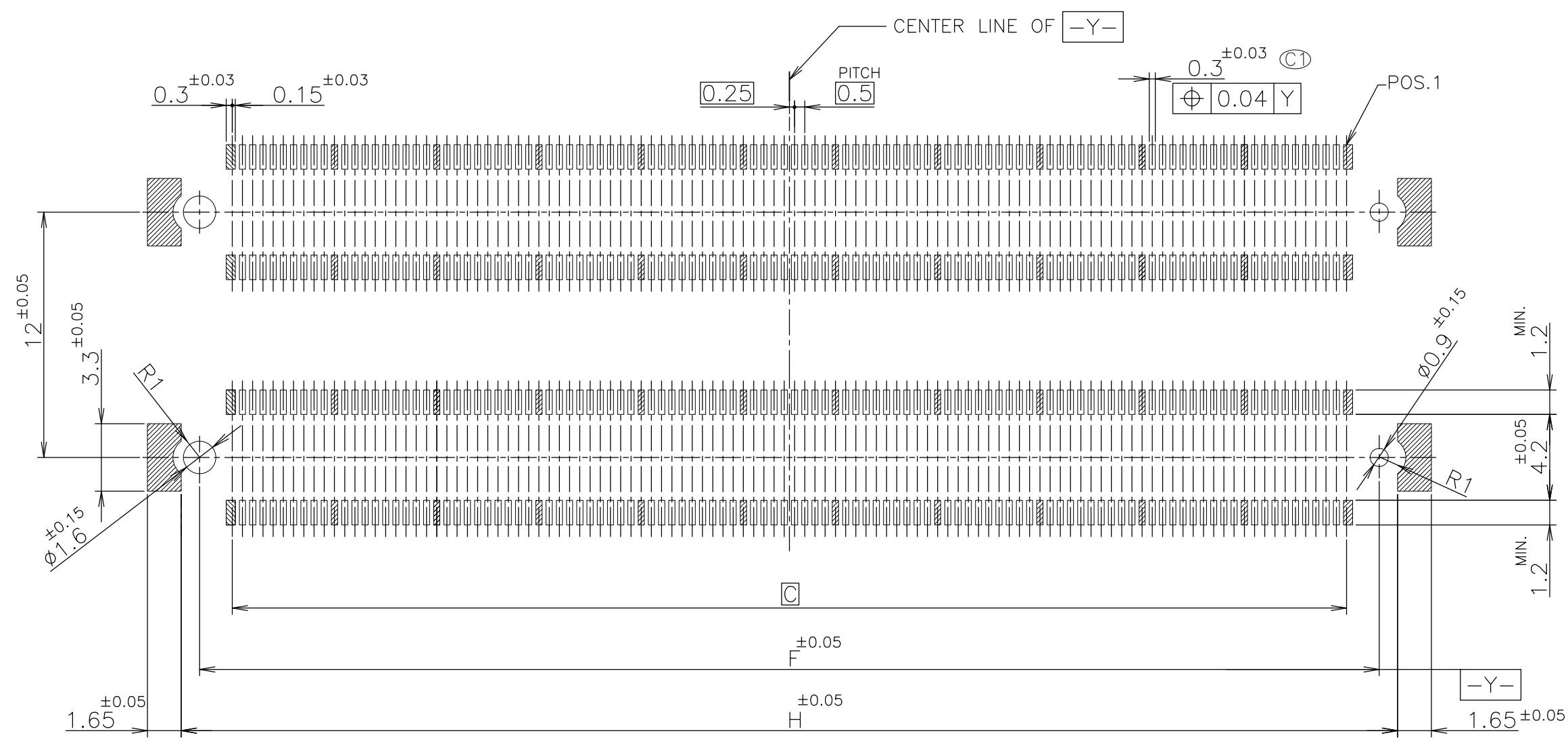
- ① MATERIAL ; HOUSING : HIGH TEMP THERMO PLASTIC UL94V-0
CONTACT : COPPER ALLOY
SOLDER PEG : COPPER ALLOY
- ② FINISH ; SIGNAL CONTACT : UNDER PL Ni 0.0013mm MIN ALL OVER.
CONTACT AREA 0.0002mm MIN Au PL.
SOLDERING AREA 0.001mm MIN TIN PL.
GROUND CONTACT : UNDER PL Ni 0.0013mm MIN ALL OVER.
CONTACT AREA 0.0002mm MIN Au PL.
SOLDERING AREA 0.001mm MIN TIN PL.
SOLDER PEG : 0.001mm MIN TIN PL. OVER
0.0013mm MIN Ni PL ALL OVER.
- ③ THIS POSITION IS GROUND CIRCUIT.
- ④ THIS PRODUCT IS COATED BY FLUX-PENETRATION-INHIDITING AGENT.

46.8	42.7	44.5	42.1	39.5	160	NATURAL	6-5353652-2
46.8	42.7	44.5	42.1	39.5	160	NATURAL	1-5353652-2
61.8	57.7	59.5	57.1	54.5	220	BLACK	3-5353652-6
G	F	E	D	C	POS OF EACH CONNECTOR	HSG COLOR	PART NO.

THIS DRAWING IS A CONTROLLED DOCUMENT.		DWN		TE Connectivity			
DIMENSIONS: MM		TOLERANCES UNLESS OTHERWISE SPECIFIED:					
		0 PLC ± 0.3 1 PLC ± 0.3 2 PLC ± 0.3 3 PLC ± 0.3 4 PLC ± 0.3 ANGLES ± 3°		APVD		HARD TRAY ASSY	
MATERIAL ①		FINISH ②		PRODUCT SPEC		FH 0.5BTB CONNECTOR	
				APPLICATION SPEC		PLUG 8H W/G-PLATE ON 2ROW CAP	
				WEIGHT		RESTRICTED TO	
				CUSTOMER DRAWING		SCALE 4:1 SHEET 5 OF 8 REV C2	

THIS DRAWING IS UNPUBLISHED. RELEASED FOR PUBLICATION
 © COPYRIGHT By - ALL RIGHTS RESERVED.

LOC	DIST	REVISIONS		
ES		P	LTR	DESCRIPTION
		-		SEE SHEET 1
				DATE
				DWN
				APVD



REFERENCE P.C. BOARD LAYOUT

44.5	42.7	320	6-5353652-2
44.5	42.7	320	1-5353652-2
59.5	57.7	440	3-5353652-6
H	F	POS	PART NO.

THIS DRAWING IS A CONTROLLED DOCUMENT.		DWN	TE Connectivity NAME HARD TRAY ASSY FH 0.5BTB CONNECTOR PLUG 8H W/G-PLATE ON 2ROW CAP	
DIMENSIONS: MM		CHK		
		APVD		
TOLERANCES UNLESS OTHERWISE SPECIFIED: 0 PLC ± 0.3 1 PLC ± 0.3 2 PLC ± 0.3 3 PLC ± 0.3 4 PLC ± 0.3 ANGLES ± 3°		PRODUCT SPEC		
MATERIAL		FINISH	APPLICATION SPEC	RESTRICTED TO
		WEIGHT	SIZE	CAGE CODE
		CUSTOMER DRAWING	A3	00779
		SCALE	DRAWING NO	
		4:1	C-5353652	
		SHEET	REV	
		6 OF 8	C2	

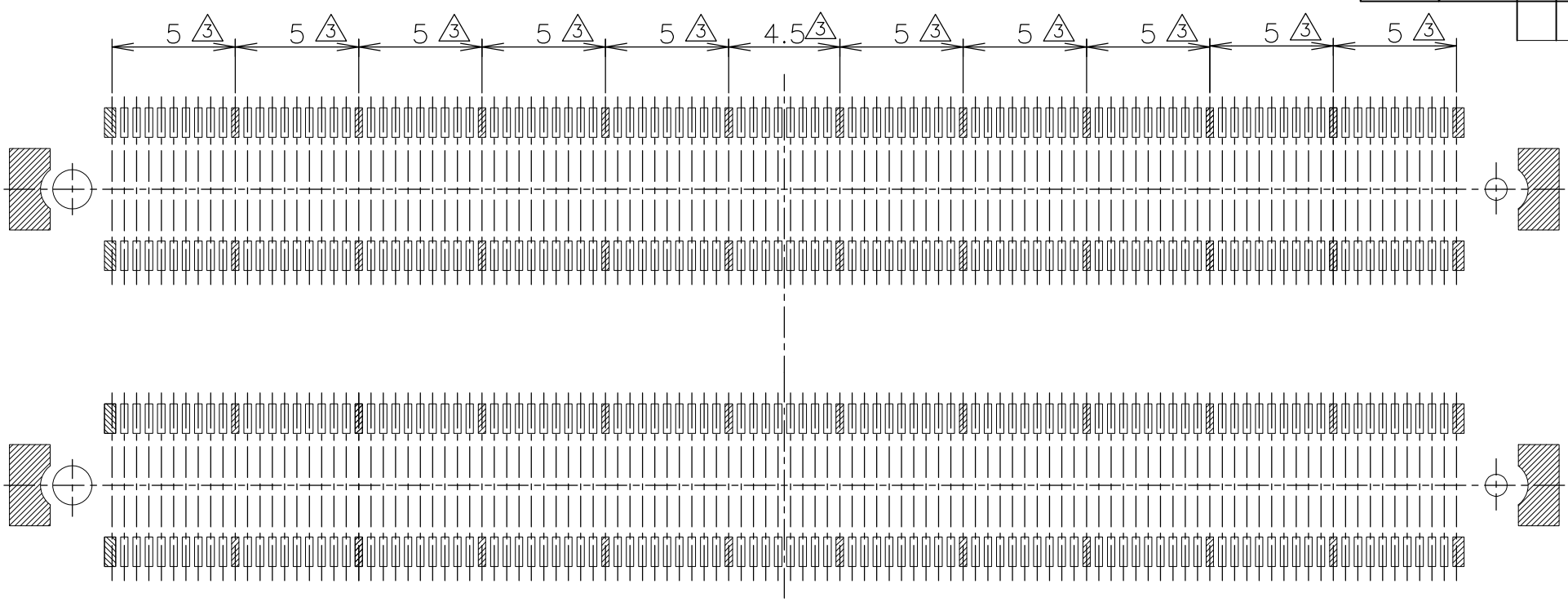
THIS DRAWING IS UNPUBLISHED. RELEASED FOR PUBLICATION
 © COPYRIGHT By - ALL RIGHTS RESERVED.

LOC ES DIST

REVISIONS				
P	LTR	DESCRIPTION	DATE	APVD
-	-	SEE SHEET 1	-	-

D

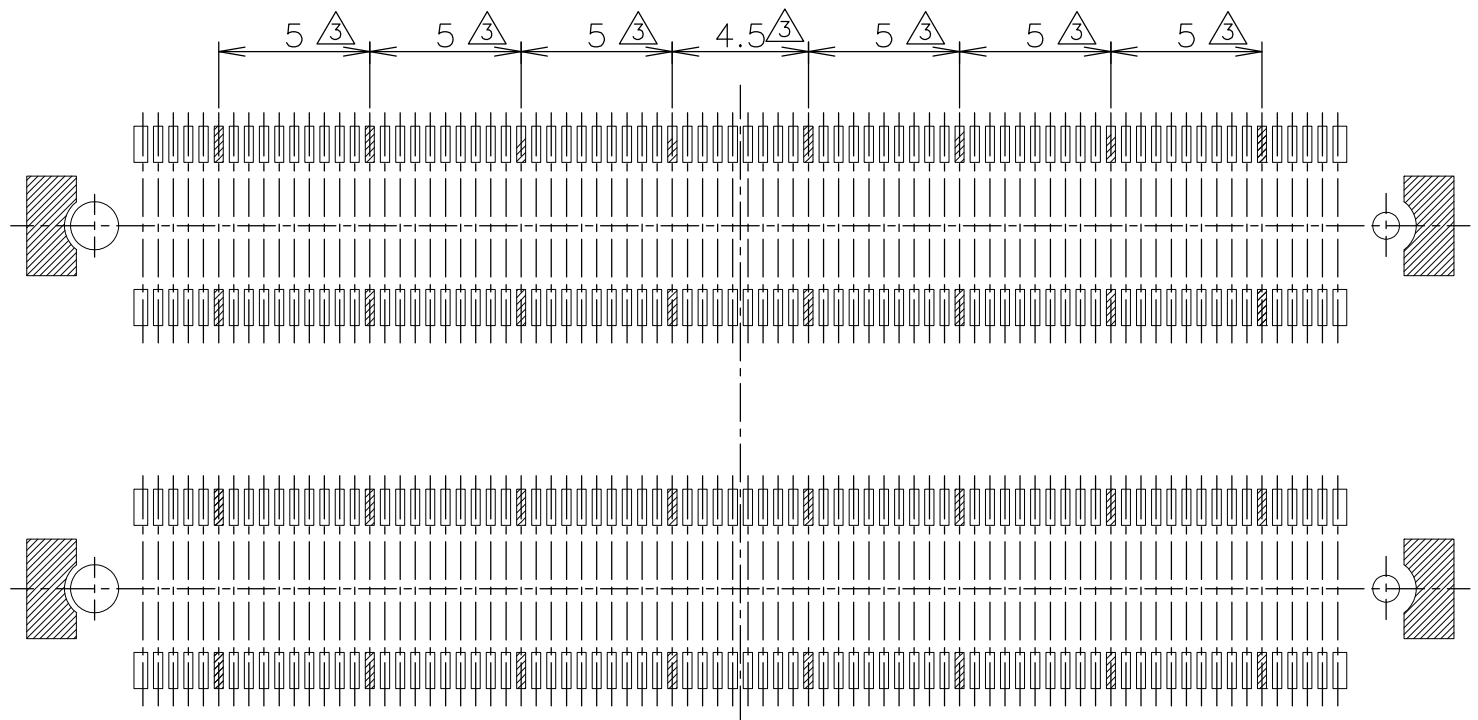
D



440P

C

C



320P

B

B

A

A

P.C. BOARD LAYOUT

THIS DRAWING IS A CONTROLLED DOCUMENT.

DIMENSIONS: MM	

TOLERANCES UNLESS OTHERWISE SPECIFIED:	
0 PLC	± 0.3
1 PLC	± 0.3
2 PLC	± 0.3
3 PLC	± 0.3
4 PLC	± 0.3
ANGLES	± 3°

MATERIAL

FINISH

DWN
CHK
APVD
PRODUCT SPEC
APPLICATION SPEC
WEIGHT

TE Connectivity NAME HARD TRAY ASSY FH 0.5BTB CONNECTOR PLUG 8H W/G-PLATE ON 2ROW CAP				RESTRICTED TO
A3		00779	C-5353652	

CUSTOMER DRAWING

SCALE	SHEET	REV
4:1	7 OF 8	C2

4

3

2

1

THIS DRAWING IS UNPUBLISHED.

RELEASED FOR PUBLICATION

© COPYRIGHT By -

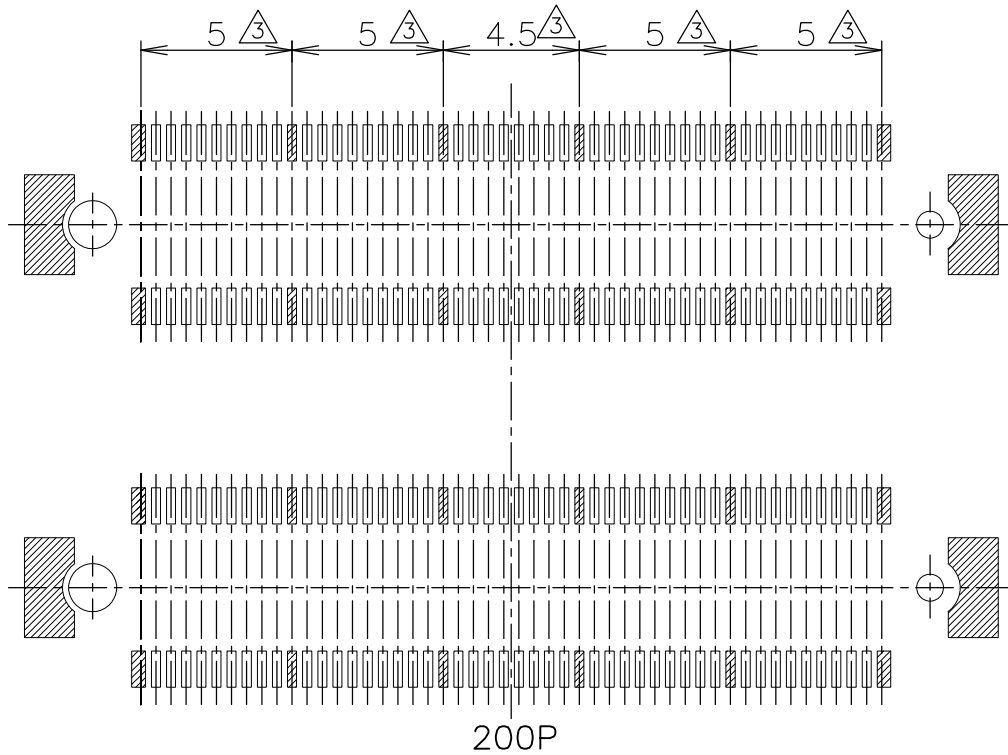
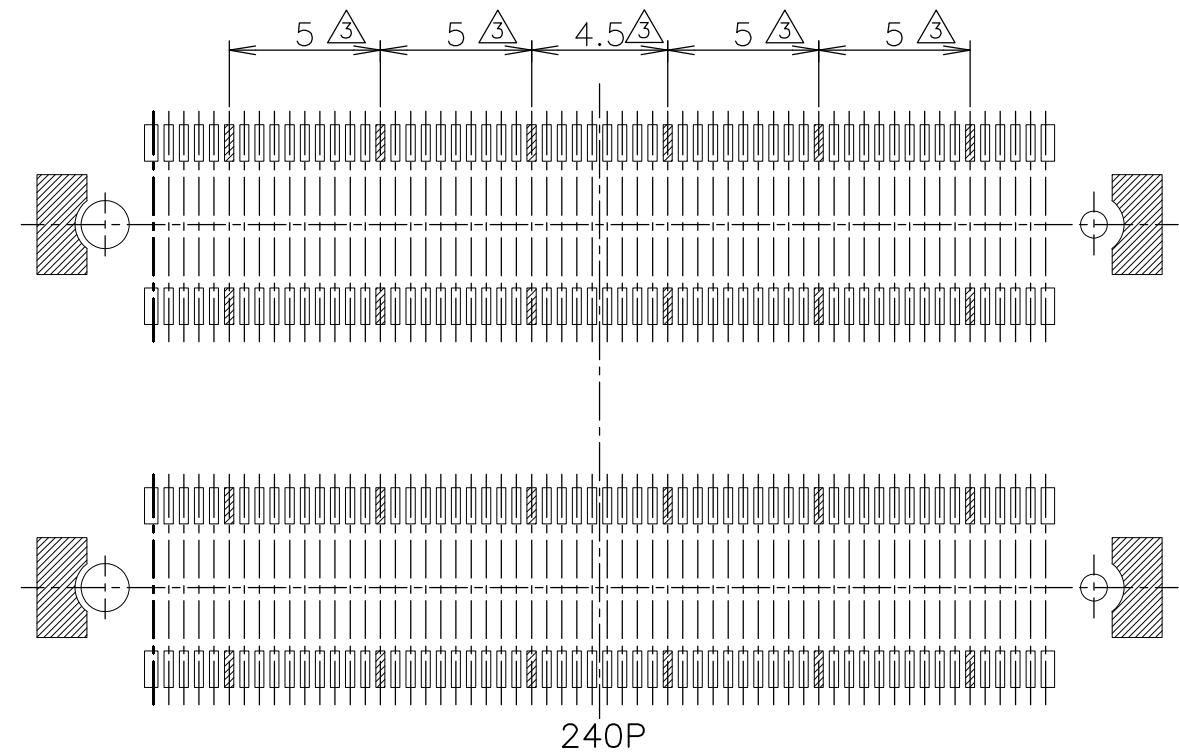
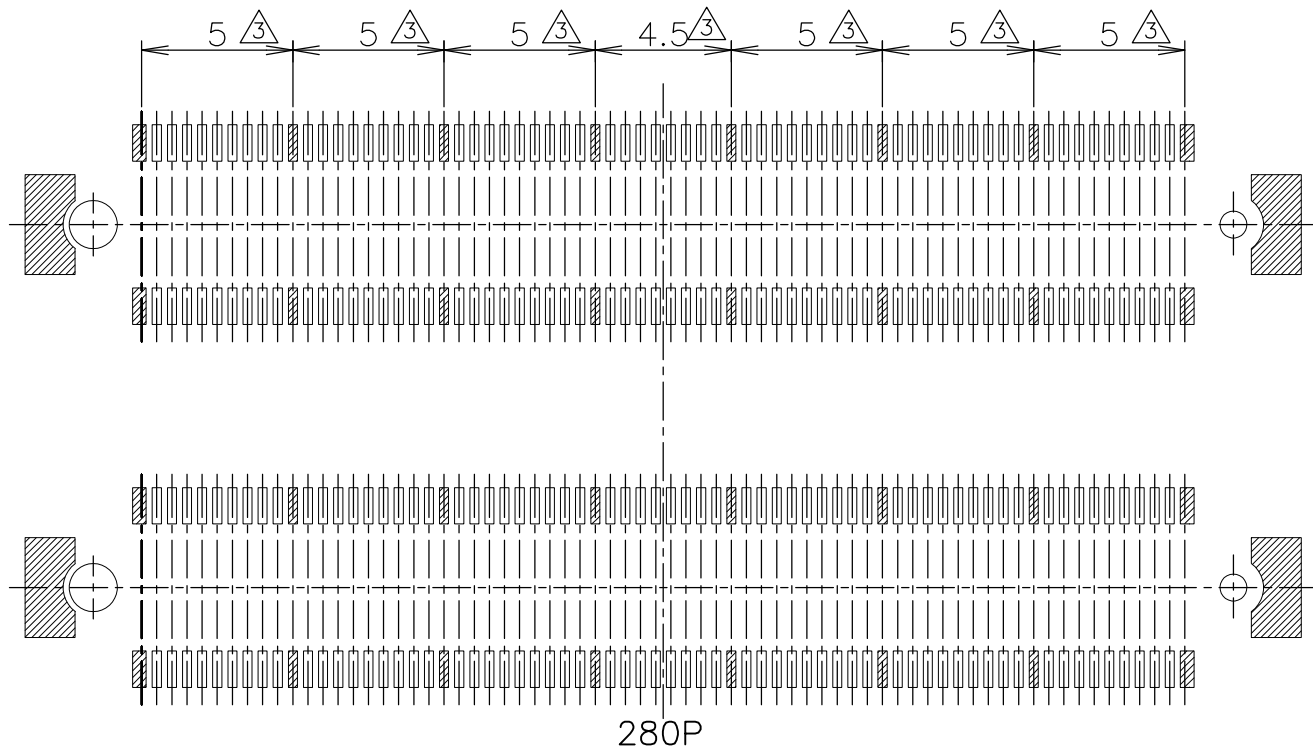
ALL RIGHTS RESERVED.


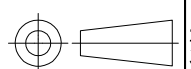
LOC
ES

DIST

REVISIONS

P	LTR	DESCRIPTION	DATE	DWN	APVD
-	-	SEE SHEET 1	-	-	-



THIS DRAWING IS A CONTROLLED DOCUMENT.		DWN	 TE Connectivity					
DIMENSIONS: MM		CHK				NAME		
		APVD				HARD TRAY ASSY FH 0.5BTB CONNECTOR PLUG 8H W/G-PLATE ON 2ROW CAP		
TOLERANCES UNLESS OTHERWISE SPECIFIED: 0 PLC ± 0.3 1 PLC ± 0.3 2 PLC ± 0.3 3 PLC ± 0.3 4 PLC ± 0.3 ANGLES ± 3°		PRODUCT SPEC				SIZE	CAGE CODE	DRAWING NO
MATERIAL		APPLICATION SPEC	A3 00779		C-5353652			
FINISH		WEIGHT	CUSTOMER DRAWING		SCALE 4:1	SHEET 8 OF 8	REV C2	