



Chipsmall Limited consists of a professional team with an average of over 10 year of expertise in the distribution of electronic components. Based in Hongkong, we have already established firm and mutual-benefit business relationships with customers from,Europe,America and south Asia,supplying obsolete and hard-to-find components to meet their specific needs.

With the principle of “Quality Parts,Customers Priority,Honest Operation,and Considerate Service”,our business mainly focus on the distribution of electronic components. Line cards we deal with include Microchip,ALPS,ROHM,Xilinx,Pulse,ON,Everlight and Freescale. Main products comprise IC,Modules,Potentiometer,IC Socket,Relay,Connector.Our parts cover such applications as commercial,industrial, and automotives areas.

We are looking forward to setting up business relationship with you and hope to provide you with the best service and solution. Let us make a better world for our industry!



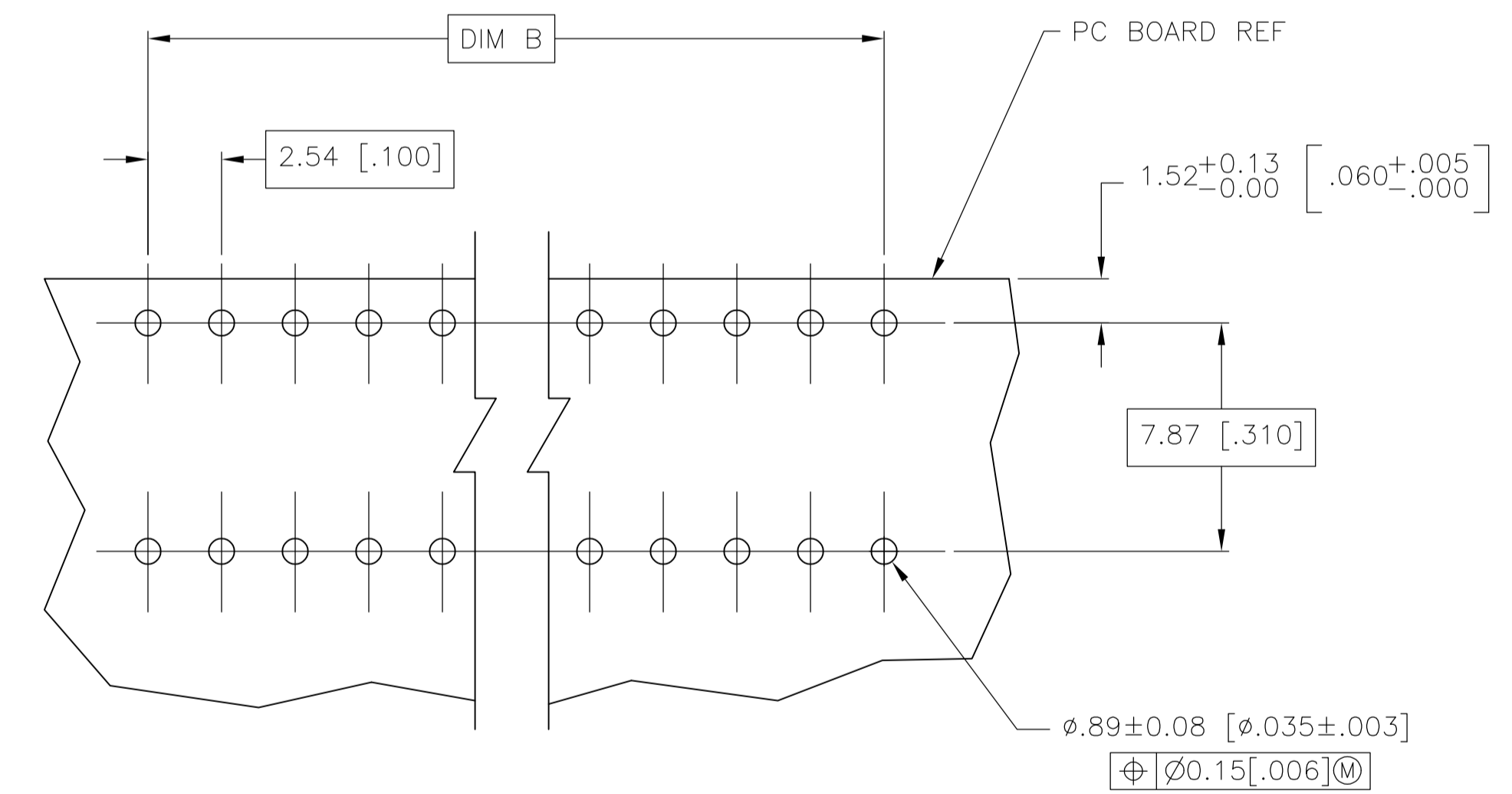
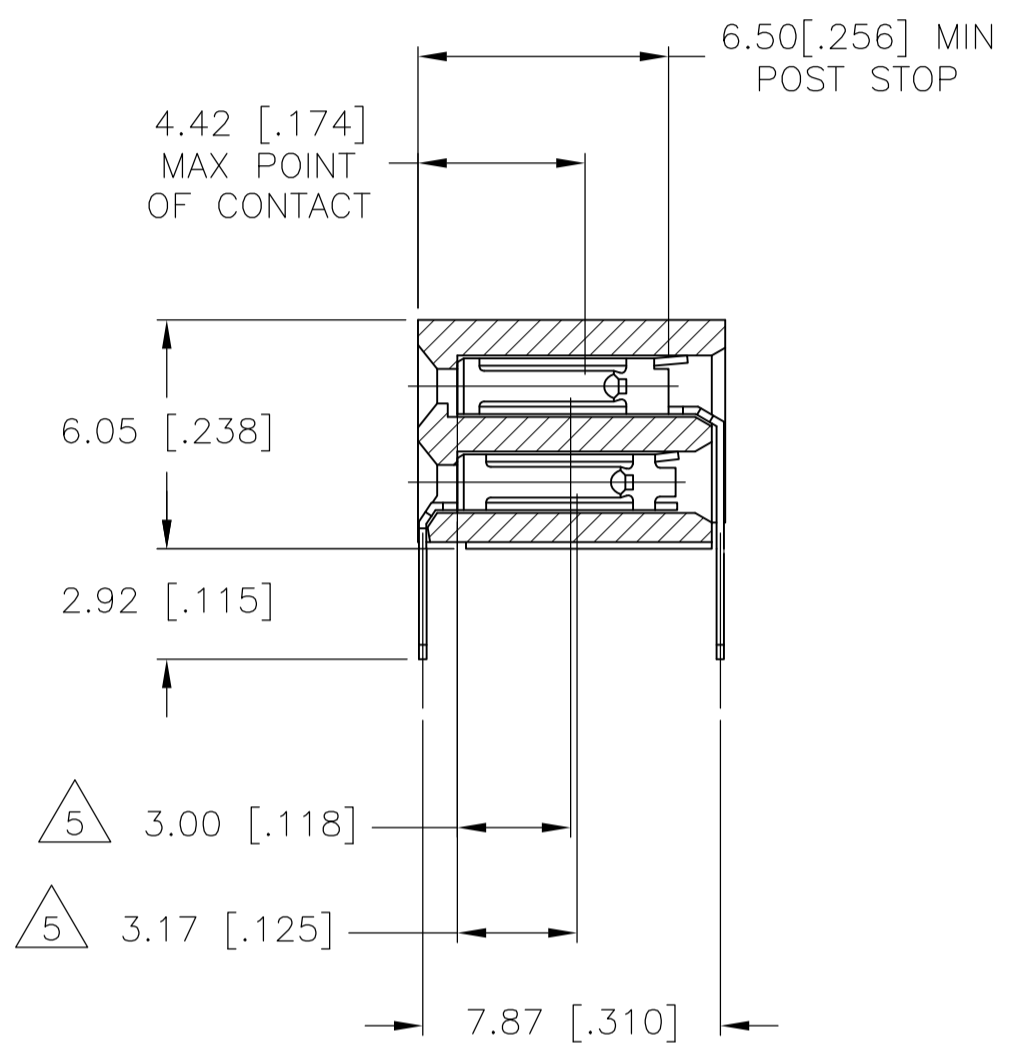
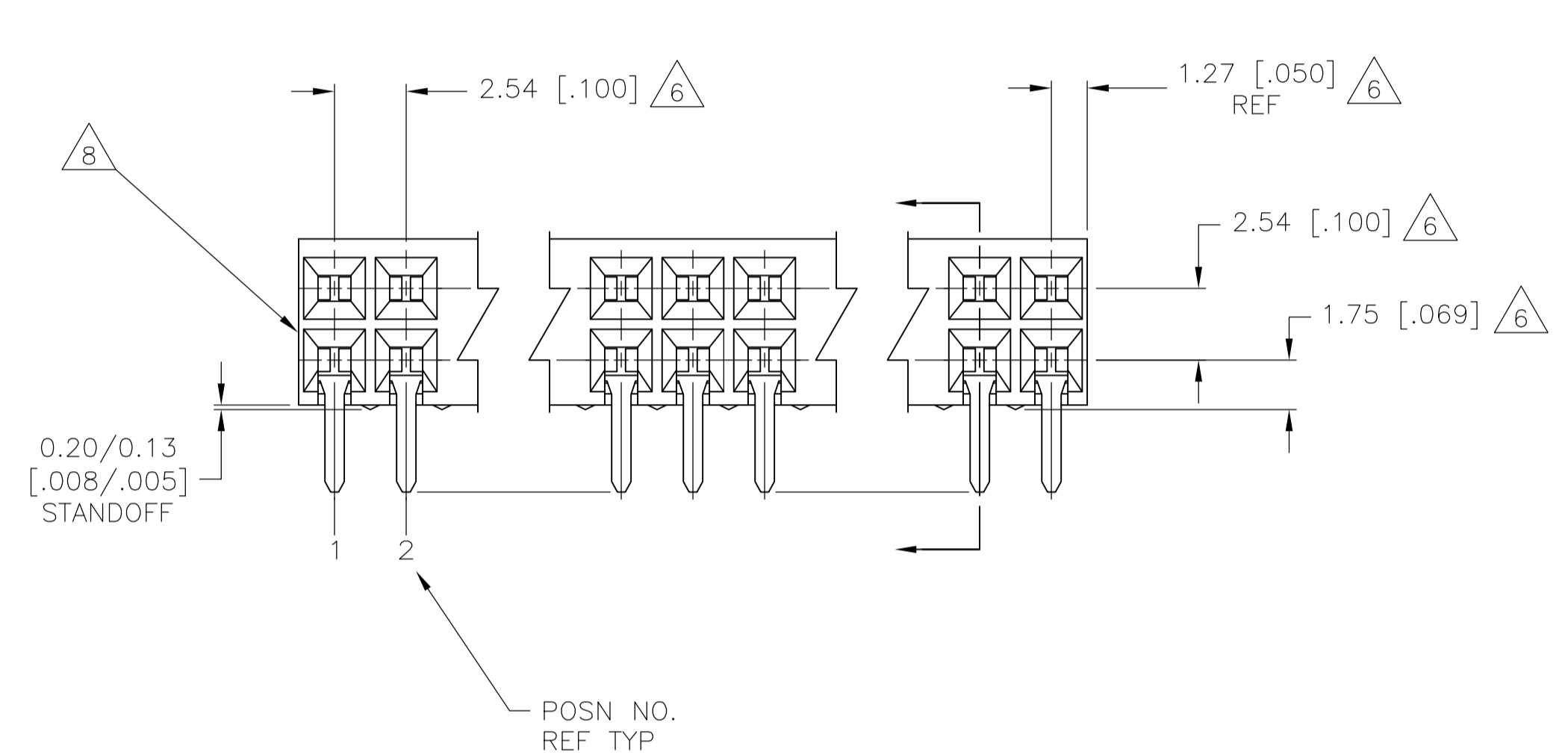
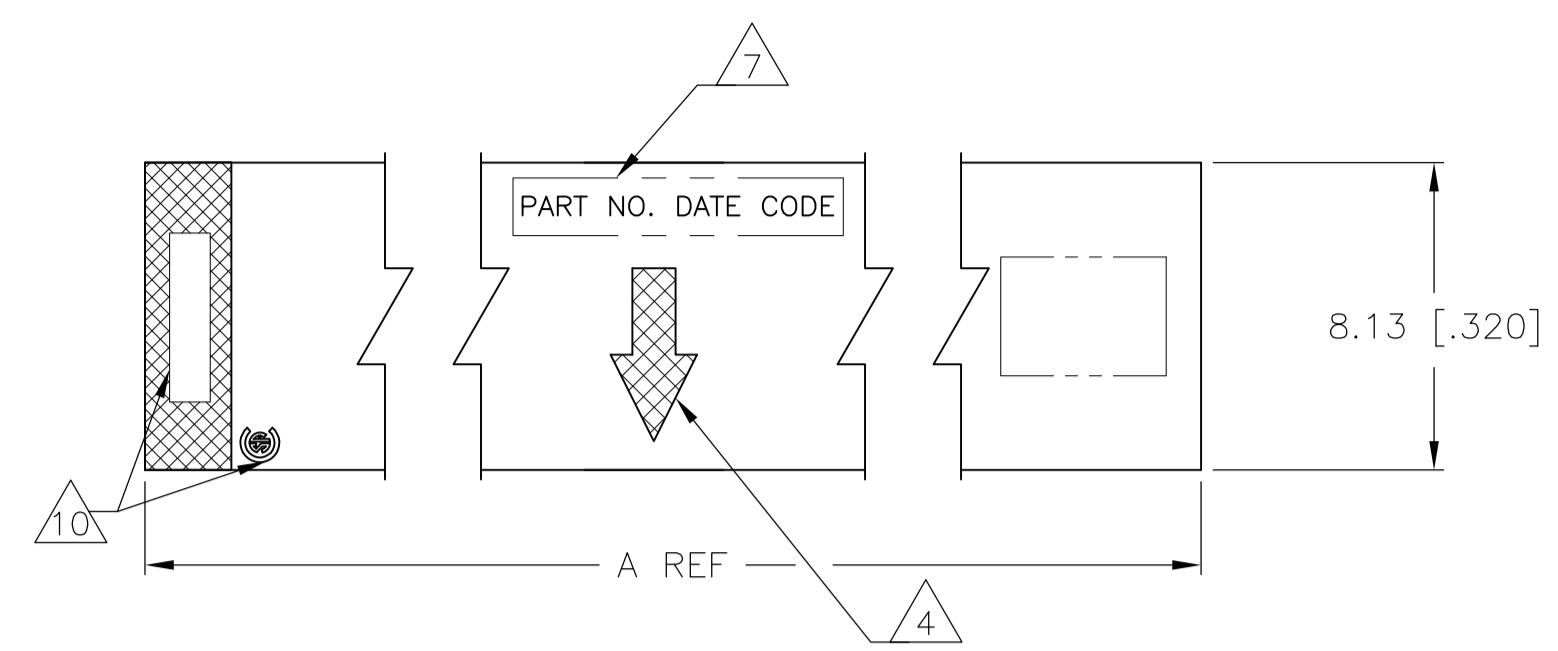
Contact us

Tel: +86-755-8981 8866 Fax: +86-755-8427 6832

Email & Skype: info@chipsmall.com Web: www.chipsmall.com

Address: A1208, Overseas Decoration Building, #122 Zhenhua RD., Futian, Shenzhen, China





RECOMMENDED PC BOARD LAYOUT

- 1 HOUSING MATERIAL: GLASS FILLED POLYESTER, COLOR- BLACK
- 2 CONTACT MATERIAL: PHOSPHOR BRONZE
- 3 CONTACT FINISH: 0.00076[.000030] THK DUPLEX PLATED GOLD ON CONTACT AREA, 0.00127[.000050] MIN THK BRIGHT TIN-LEAD ON SOLDERLEADS, ALL OVER 0.00127[.000050] NICKEL
- 4 MOLDED IN ARROW DESIGNATES THE MATING FACE OF THE CONNECTOR
- 5 POINT OF MEASUREMENT FOR PLATING THICKNESS OF CONTACT AREA
- 6 DIMENSIONS PERTAIN TO HOUSING CAVITY CENTERLINES
- 7 PART NUMBER AND DATE CODE MARKED IN APPROXIMATE LOCATION SHOWN, EITHER END.
- 8 ALTERNATE LOCATION FOR DATE CODE FOR 4 AND 6 POSITION.
- 10 TE LOGO AND CSA LOGO ARE MOLDED INTO HOUSING, THIS LOCATION.

10.16[.400]	12.70[.500]	10	6-535512-4	
7.62[.300]	10.16[.400]	8	6-535512-3	
5.08[.200]	7.62[.300]	6	6-535512-2	
2.54[.100]	5.08[.200]	4	6-535512-1	
162.56[6.400]	165.10[6.500]	130	6-535512-0	
160.02[6.300]	162.56[6.400]	128	5-535512-9	
157.48[6.200]	160.02[6.300]	126	5-535512-8	
152.40[6.000]	154.94[6.100]	122	5-535512-7	
149.86[5.900]	152.40[6.000]	120	5-535512-6	
147.32[5.800]	149.86[5.900]	118	5-535512-5	
144.78[5.700]	147.32[5.800]	116	5-535512-4	
142.24[5.600]	144.78[5.700]	114	5-535512-3	
139.70[5.500]	142.24[5.600]	112	5-535512-2	
137.16[5.400]	139.70[5.500]	110	5-535512-1	
134.62[5.300]	137.16[5.400]	108	5-535512-0	
132.08[5.200]	134.62[5.300]	106	4-535512-9	
129.54[5.100]	132.08[5.200]	104	4-535512-8	
127.00[5.000]	129.54[5.100]	102	4-535512-7	
124.46[4.900]	127.00[5.000]	100	4-535512-6	
SUPERCEDED BY 4-5535512-5				
121.92[4.800]	124.46[4.900]	98	4-535512-5	
119.38[4.700]	121.92[4.800]	96	4-535512-4	
116.84[4.600]	119.38[4.700]	94	4-535512-3	
114.30[4.500]	116.84[4.600]	92	4-535512-2	
111.76[4.400]	114.30[4.500]	90	4-535512-1	
109.22[4.300]	111.76[4.400]	88	4-535512-0	
SUPERCEDED BY 3-5535512-9				
106.68[4.200]	109.22[4.300]	86	3-535512-9	
104.14[4.100]	106.68[4.200]	84	3-535512-8	
101.16[4.000]	104.14[4.100]	82	3-535512-7	
91.44[3.600]	93.98[3.700]	74	3-535512-6	
88.90[3.500]	91.44[3.600]	72	3-535512-5	
83.82[3.300]	86.36[3.400]	68	3-535512-4	
81.28[3.200]	83.82[3.300]	66	3-535512-3	
78.74[3.100]	81.28[3.200]	64	3-535512-2	
76.20[3.000]	78.74[3.100]	62	3-535512-1	
73.66[2.900]	76.20[3.000]	60	3-535512-0	
71.12[2.800]	73.66[2.900]	58	2-535512-9	
63.50[2.500]	66.04[2.600]	52	2-535512-8	
55.88[2.200]	58.42[2.300]	46	2-535512-7	
50.8[2.000]	53.34[2.100]	42	2-535512-6	
48.26[1.900]	50.8[2.000]	40	2-535512-5	
45.72[1.800]	48.26[1.900]	38	2-535512-4	
38.10[1.500]	40.64[1.600]	32	2-535512-3	
35.56[1.400]	38.10[1.500]	30	2-535512-2	
33.02[1.300]	35.56[1.400]	28	2-535512-1	
30.48[1.200]	33.02[1.300]	26	2-535512-0	
25.40[1.000]	27.94[1.100]	22	1-535512-9	
17.78[.700]	20.32[.800]	16	1-535512-8	
15.24[.600]	17.78[.700]	14	1-535512-7	
20.32[.800]	22.86[.900]	18	1-535512-6	
58.42[2.300]	60.96[2.400]	48	1-535512-5	
154.94[6.100]	157.48[6.200]	124	1-535512-4	
99.06[3.900]	101.16[4.000]	80	1-535512-3	
96.52[3.800]	99.06[3.900]	78	1-535512-2	
93.98[3.700]	96.52[3.800]	76	1-535512-1	
86.36[3.400]	88.90[3.500]	70	1-535512-0	
68.58[2.700]	71.12[2.800]	56	535512-9	
66.04[2.600]	68.58[2.700]	54	535512-8	
60.96[2.400]	63.50[2.500]	50	535512-7	
53.34[2.100]	55.88[2.200]	44	535512-6	
43.18[1.700]	45.72[1.800]	36	535512-5	
40.64[1.600]	43.18[1.700]	34	535512-4	
27.94[1.100]	30.48[1.200]	24	535512-3	
22.86[.900]	25.40[1.000]	20	535512-2	
12.70[.500]	15.24[.600]	12	535512-1	
B		A	NO. OF POSN	ASSEMBLY PART NUMBER

THIS DRAWING IS A CONTROLLED DOCUMENT.

DIMENSIONS: mm	TOLERANCES UNLESS OTHERWISE SPECIFIED:	DIN R BROWN 17MAY02	APVO J OLSON 17MAY02	NAME AMPMODU MOD II RECEPTACLE ASSEMBLY, HORIZONTAL, .100 CL, 2 ROW, CLOSED-ENTRY, SHORT POINT OF CONTACT, END-TO-END STACKABLE
0 PLC ± -	1 PLC ± -	2 PLC ± -	3 PLC ± 0.1[.005]	SIZE A1
4 PLC ± -	ANGLES ± -	WEIGHT -	CAGE CODE DRAWING NO. 00779	DRAWING NO. 535512
MATERIAL	FINISH	CUSTOMER DRAWING	SCALE 5:1	SHEET 1 OF 1

STE TE Connectivity

4805 (3/11)