



Chipsmall Limited consists of a professional team with an average of over 10 year of expertise in the distribution of electronic components. Based in Hongkong, we have already established firm and mutual-benefit business relationships with customers from,Europe,America and south Asia,supplying obsolete and hard-to-find components to meet their specific needs.

With the principle of “Quality Parts,Customers Priority,Honest Operation,and Considerate Service”,our business mainly focus on the distribution of electronic components. Line cards we deal with include Microchip,ALPS,ROHM,Xilinx,Pulse,ON,Everlight and Freescale. Main products comprise IC,Modules,Potentiometer,IC Socket,Relay,Connector.Our parts cover such applications as commercial,industrial, and automotives areas.

We are looking forward to setting up business relationship with you and hope to provide you with the best service and solution. Let us make a better world for our industry!



Contact us

Tel: +86-755-8981 8866 Fax: +86-755-8427 6832

Email & Skype: info@chipsmall.com Web: www.chipsmall.com

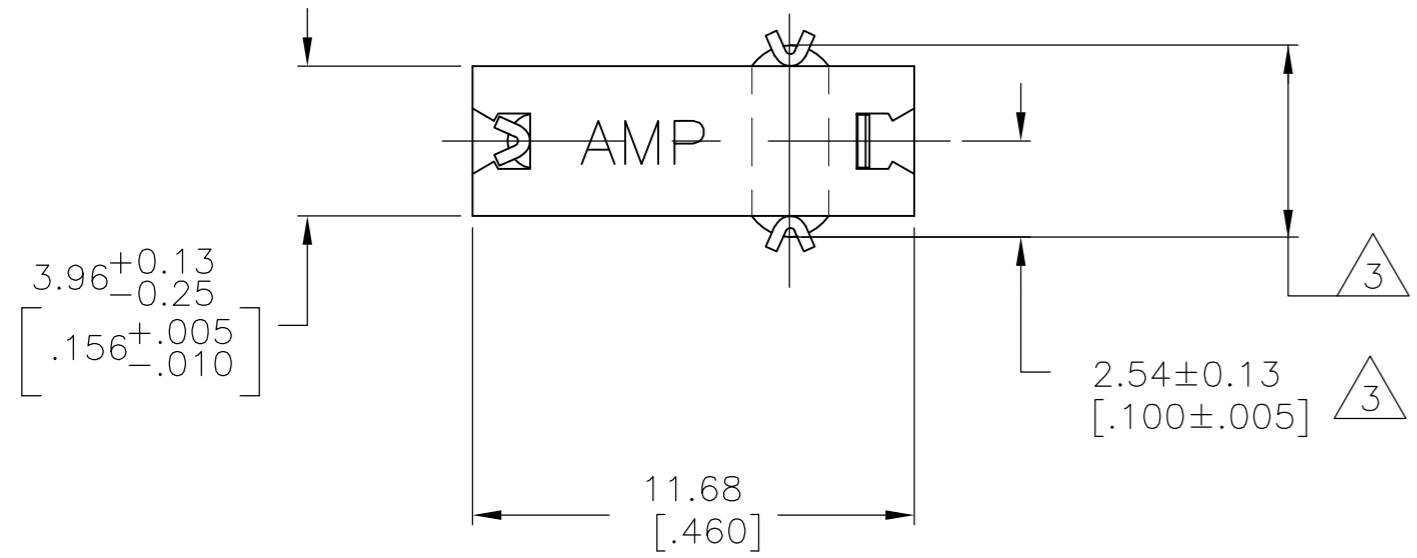
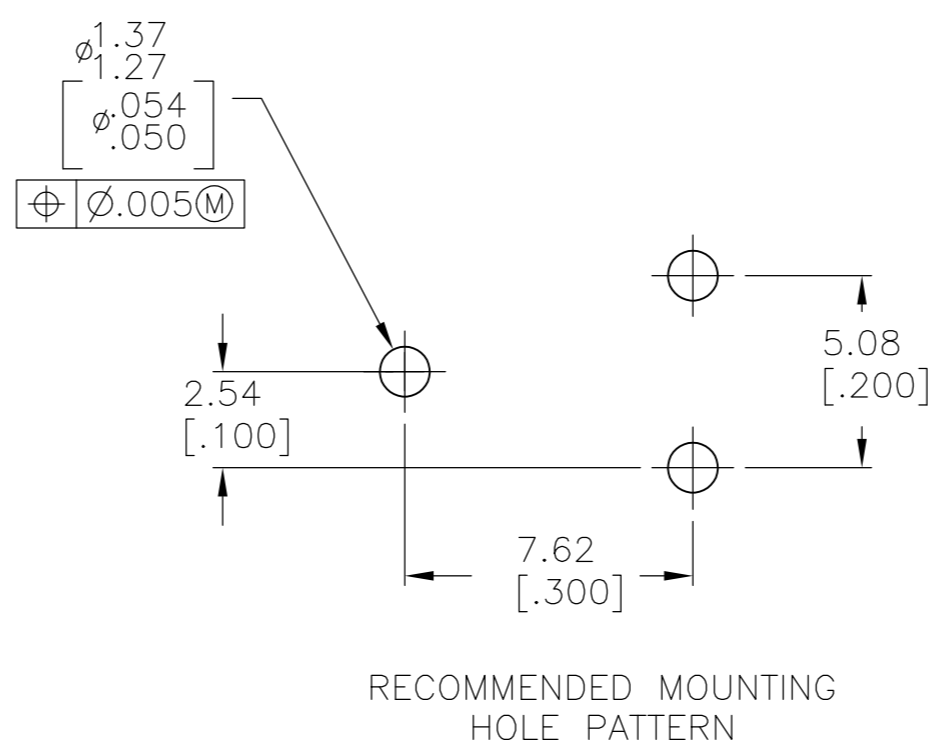
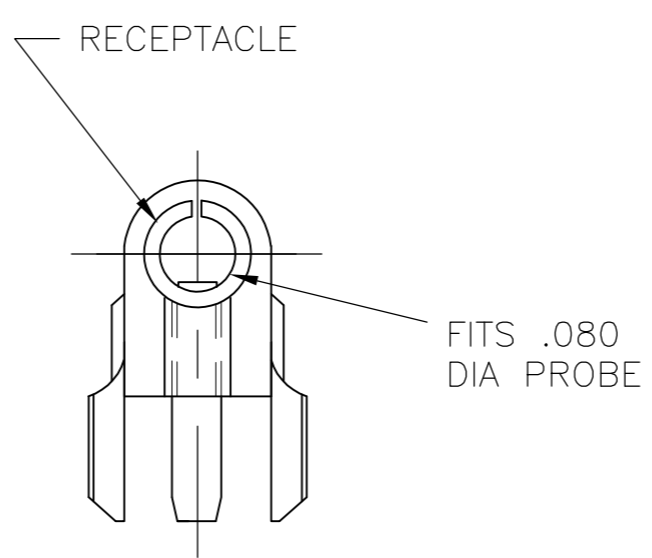
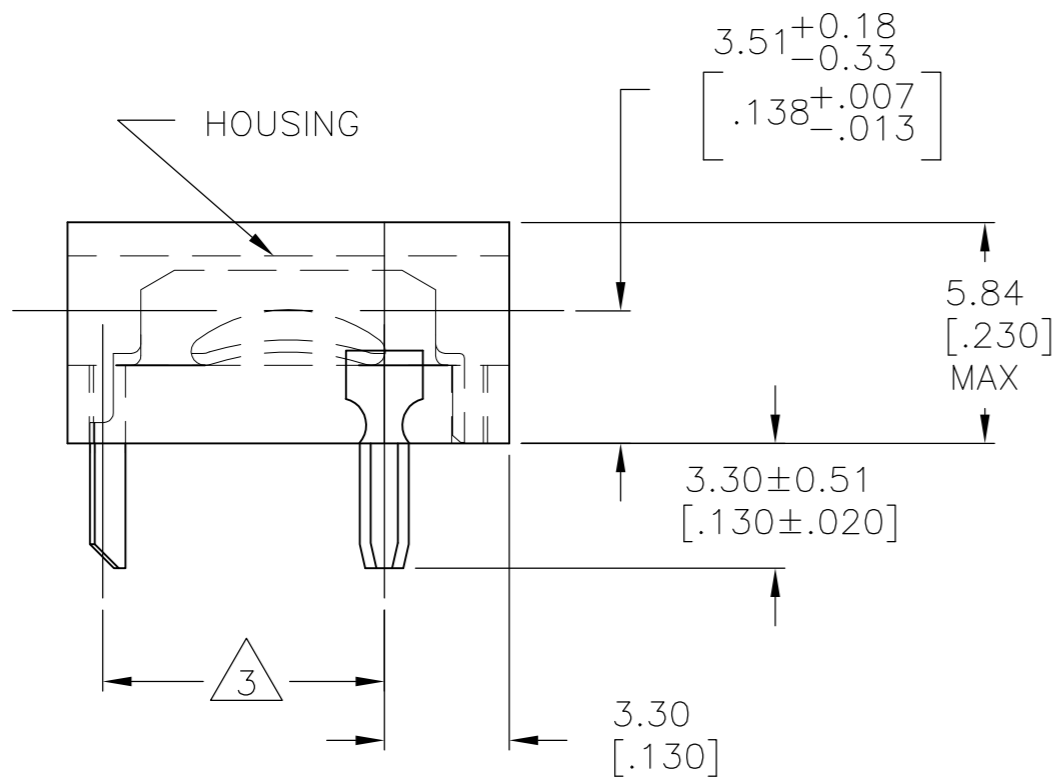
Address: A1208, Overseas Decoration Building, #122 Zhenhua RD., Futian, Shenzhen, China



THIS DRAWING IS UNPUBLISHED. RELEASED FOR PUBLICATION
 © COPYRIGHT BY TYCO ELECTRONICS CORPORATION. ALL INTERNATIONAL RIGHTS RESERVED.

LOC	DIST	REVISIONS					
		P	LTR	DESCRIPTION	DATE	DWN	APVD
AF	50	AF1		REVISED PER ECR-08-007324	17JUL08	HMR	JR

- 1 OPERATION TEMPERATURE - 105°C MAX
- 2 RETENTION FORCE - 16 OUNCES MIN INITIALLY, 6 OUNCES MIN, AFTER 500 CYCLES.
- 3 REFER TO MOUNTING HOLE PATTERN
- 4 HOUSING NYLON TYPE 6/6
RECEPT & LEGS, BRASS
ASTM B36 ALLOY6



FINISH	COLOR	PART NO	
OBSOLETE	GOLD	NATURAL	6-582119-9
OBSOLETE	SILVER	NATURAL	5-582119-9
	GOLD	WHITE	3-582119-9
OBSOLETE	GOLD	GRAY	3-582119-8
OBSOLETE	GOLD	VIOLET	3-582119-7
OBSOLETE	GOLD	BLUE	3-582119-6
	GOLD	GREEN	3-582119-5
	GOLD	YELLOW	3-582119-4
OBSOLETE	GOLD	ORANGE	3-582119-3
OBSOLETE	GOLD	RED	3-582119-2
OBSOLETE	GOLD	BROWN	3-582119-1
	GOLD	BLACK	3-582119-0
OBSOLETE	SILVER	WHITE	2-582119-9
OBSOLETE	SILVER	GRAY	2-582119-8
OBSOLETE	SILVER	VIOLET	2-582119-7
OBSOLETE	SILVER	BLUE	2-582119-6
OBSOLETE	SILVER	GREEN	2-582119-5
OBSOLETE	SILVER	YELLOW	2-582119-4
OBSOLETE	SILVER	ORANGE	2-582119-3
OBSOLETE	SILVER	RED	2-582119-2
OBSOLETE	SILVER	BROWN	2-582119-1
OBSOLETE	SILVER	BLACK	2-582119-0
LEGS & RECEPT FINISH	COLOR	PART NO	

THIS DRAWING IS A CONTROLLED DOCUMENT.

DWN: RAGHAVENDRA 17JUL08
 CHK: JEFF RUTH 17JUL08
 APVD: ED HOWARD 17JUL08

Tyco Electronics Corporation
 Harrisburg, PA 17105-3608

TEST PROBE ASSEMBLY

SIZE: A2 CAGE CODE: 00779 DRAWING NO: 582119 RESTRICTED TO: -

SCALE: 5:1 SHEET: 1 OF 1 REV: AF1

MATERIAL: SEE TABLE FINISH: SEE TABLE

WEIGHT: -

CUSTOMER DRAWING