



Chipsmall Limited consists of a professional team with an average of over 10 year of expertise in the distribution of electronic components. Based in Hongkong, we have already established firm and mutual-benefit business relationships with customers from,Europe,America and south Asia,supplying obsolete and hard-to-find components to meet their specific needs.

With the principle of "Quality Parts,Customers Priority,Honest Operation,and Considerate Service",our business mainly focus on the distribution of electronic components. Line cards we deal with include Microchip,ALPS,ROHM,Xilinx,Pulse,ON,Everlight and Freescale. Main products comprise IC,Modules,Potentiometer,IC Socket,Relay,Connector.Our parts cover such applications as commercial,industrial, and automotives areas.

We are looking forward to setting up business relationship with you and hope to provide you with the best service and solution. Let us make a better world for our industry!



Contact us

Tel: +86-755-8981 8866 Fax: +86-755-8427 6832

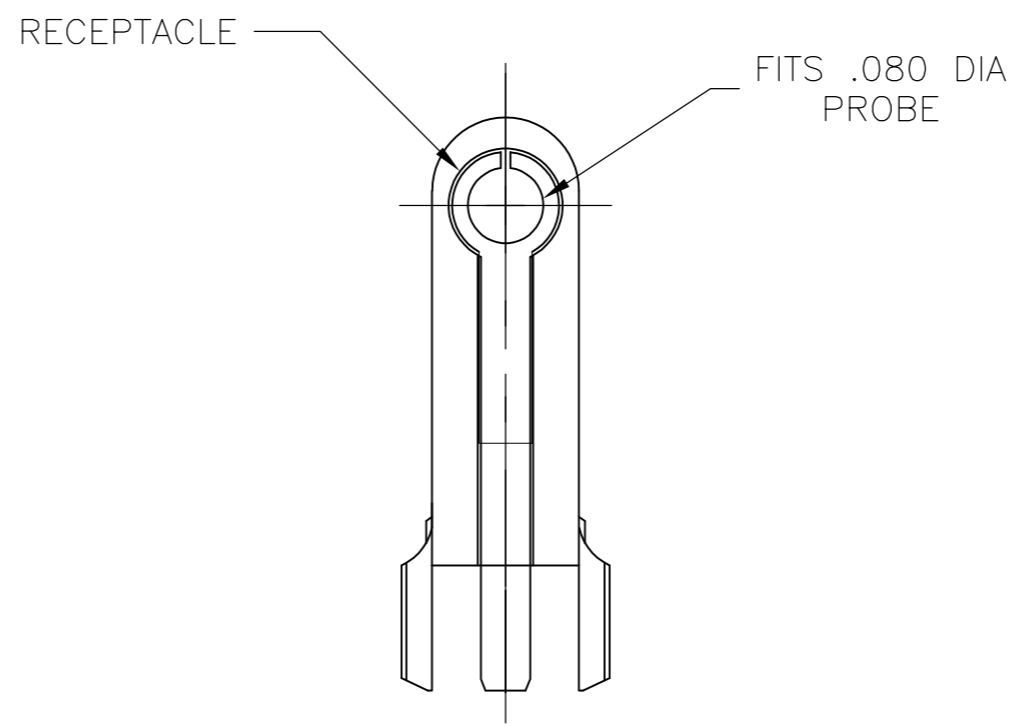
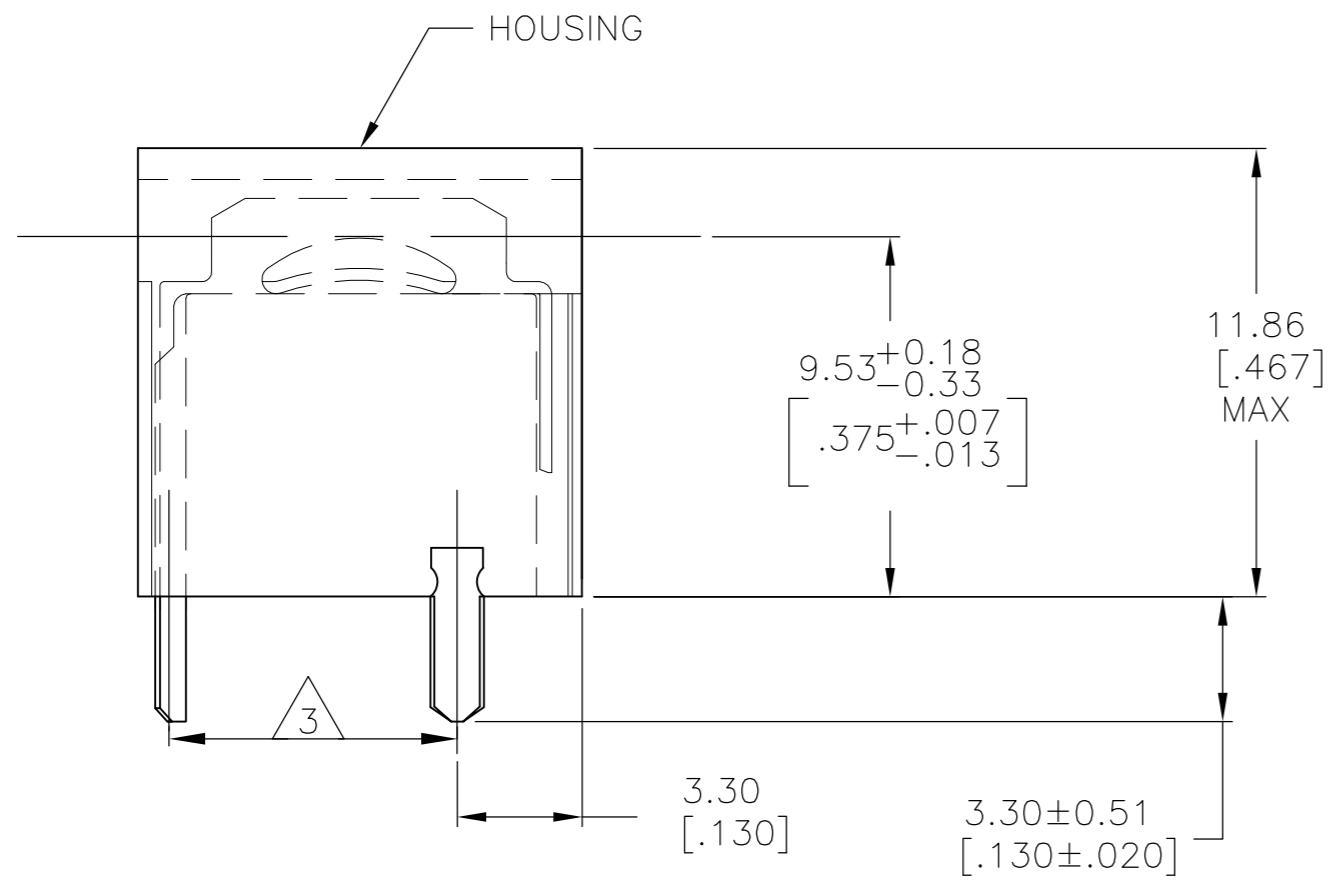
Email & Skype: info@chipsmall.com Web: www.chipsmall.com

Address: A1208, Overseas Decoration Building, #122 Zhenhua RD., Futian, Shenzhen, China

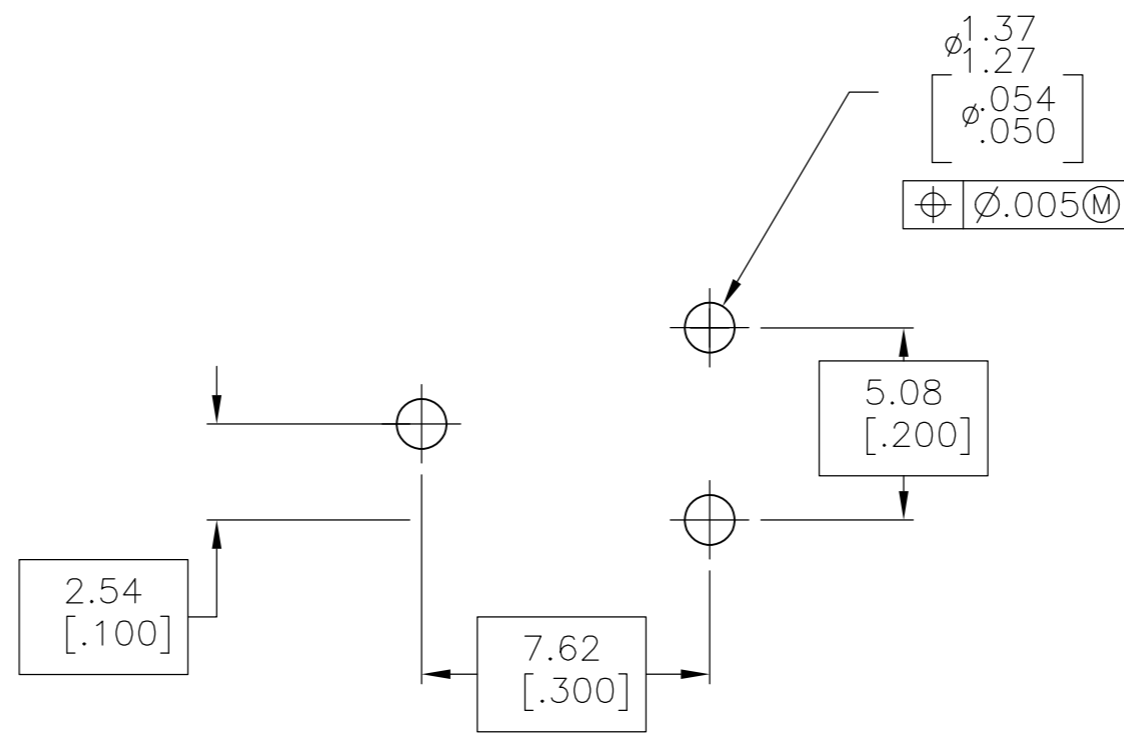
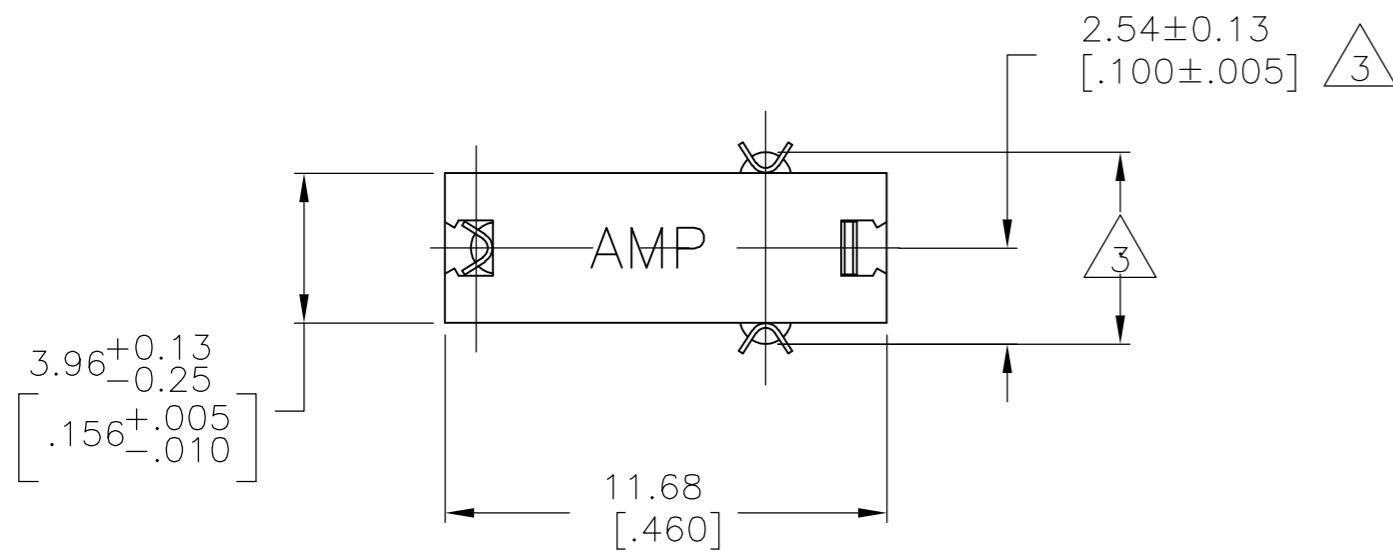


THIS DRAWING IS UNPUBLISHED. RELEASED FOR PUBLICATION
 © COPYRIGHT BY TYCO ELECTRONICS CORPORATION. ALL INTERNATIONAL RIGHTS RESERVED.

LOC	DIST	REVISIONS			
P	LTR	DESCRIPTION	DATE	DWN	APVD
AF	50	AE1	REVISED PER ECR-08-007463	04AUG08	HMR JR



- 1 OPERATING TEMPERATURE - 105°C MAX
- 2 RETENTION FORCE - 16 OUNCES MIN INITIALLY, 6 OUNCES MIN, AFTER 500 CYCLES.
- 3 REFER TO MOUNTING HOLE PATTERN
- 4 HOUSING - 6/6 NYLON, LEGS & RECEPT - BRASS ASTM-B36 ALLOY 6



RECOMMENDED MOUNTING HOLE PATTERN

LEGS & RECEPT FINISH	COLOR	PART NO
OBSOLETE	GOLD	NATURAL
		WHITE
		GRAY
		VIOLET
		BLUE
		GREEN
		YELLOW
		ORANGE
		RED
		BROWN
OBSOLETE	GOLD	BLACK

THIS DRAWING IS A CONTROLLED DOCUMENT.		DWN RAGHAVENDRA 04AUG2008	Tyco Electronics Corporation Harrisburg, PA 17105-3608	
DIMENSIONS: mm [INCHES]		CHK JEFF RUTH 04AUG2008	TEST PROBE ASSY	
TOLERANCES UNLESS OTHERWISE SPECIFIED:		APVD ED HOWARD 04AUG2008	NAME	
0 PLC ± -		PRODUCT SPEC	SIZE CAGE CODE DRAWING NO RESTRICTED TO	
1 PLC ± -		APPLICATION SPEC	A2 00779 C=582120 -	
2 PLC ± -		WEIGHT	SCALE SHEET REV	
3 PLC ± 0.38 [.015]		WEIGHT -	5:1 1 of 1 AE1	
4 PLC ± -		CUSTOMER DRAWING		
ANGLES ± -				
FINISH				
SEE ABOVE				