



Chipsmall Limited consists of a professional team with an average of over 10 year of expertise in the distribution of electronic components. Based in Hongkong, we have already established firm and mutual-benefit business relationships with customers from,Europe,America and south Asia,supplying obsolete and hard-to-find components to meet their specific needs.

With the principle of “Quality Parts,Customers Priority,Honest Operation,and Considerate Service”,our business mainly focus on the distribution of electronic components. Line cards we deal with include Microchip,ALPS,ROHM,Xilinx,Pulse,ON,Everlight and Freescale. Main products comprise IC,Modules,Potentiometer,IC Socket,Relay,Connector.Our parts cover such applications as commercial,industrial, and automotives areas.

We are looking forward to setting up business relationship with you and hope to provide you with the best service and solution. Let us make a better world for our industry!



Contact us

Tel: +86-755-8981 8866 Fax: +86-755-8427 6832

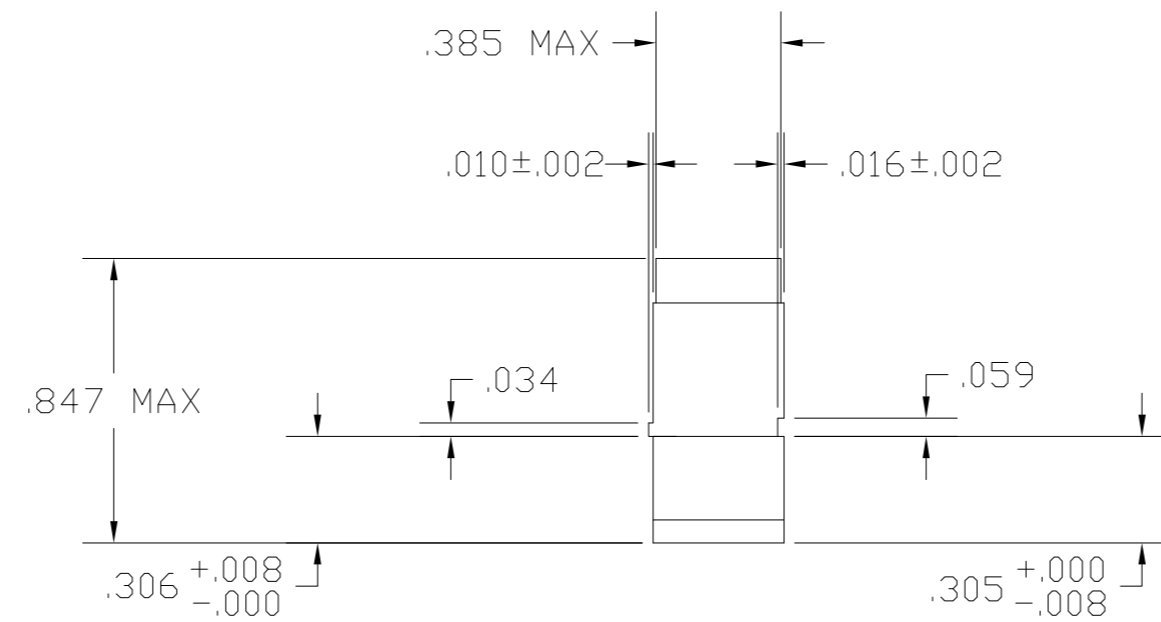
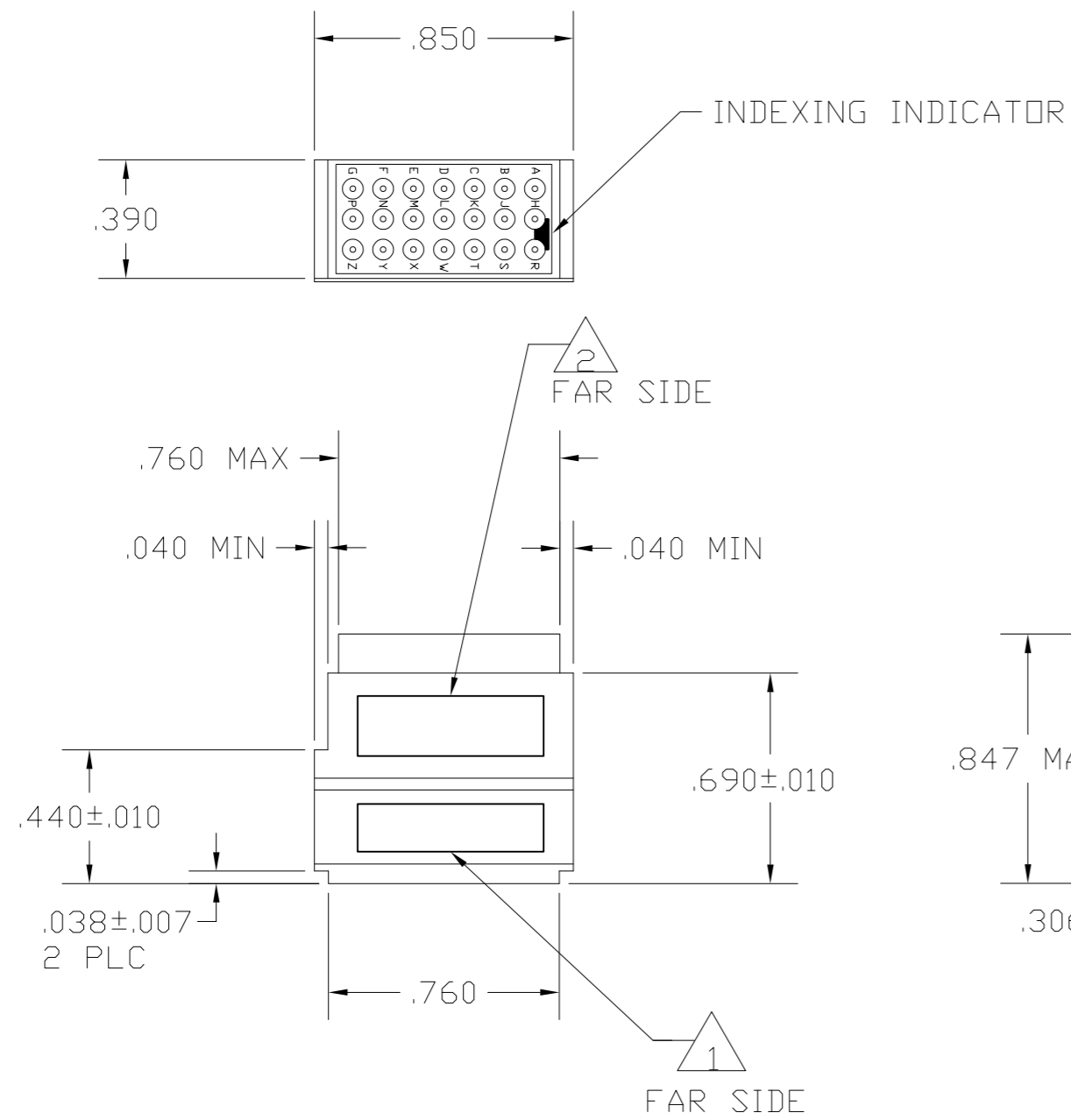
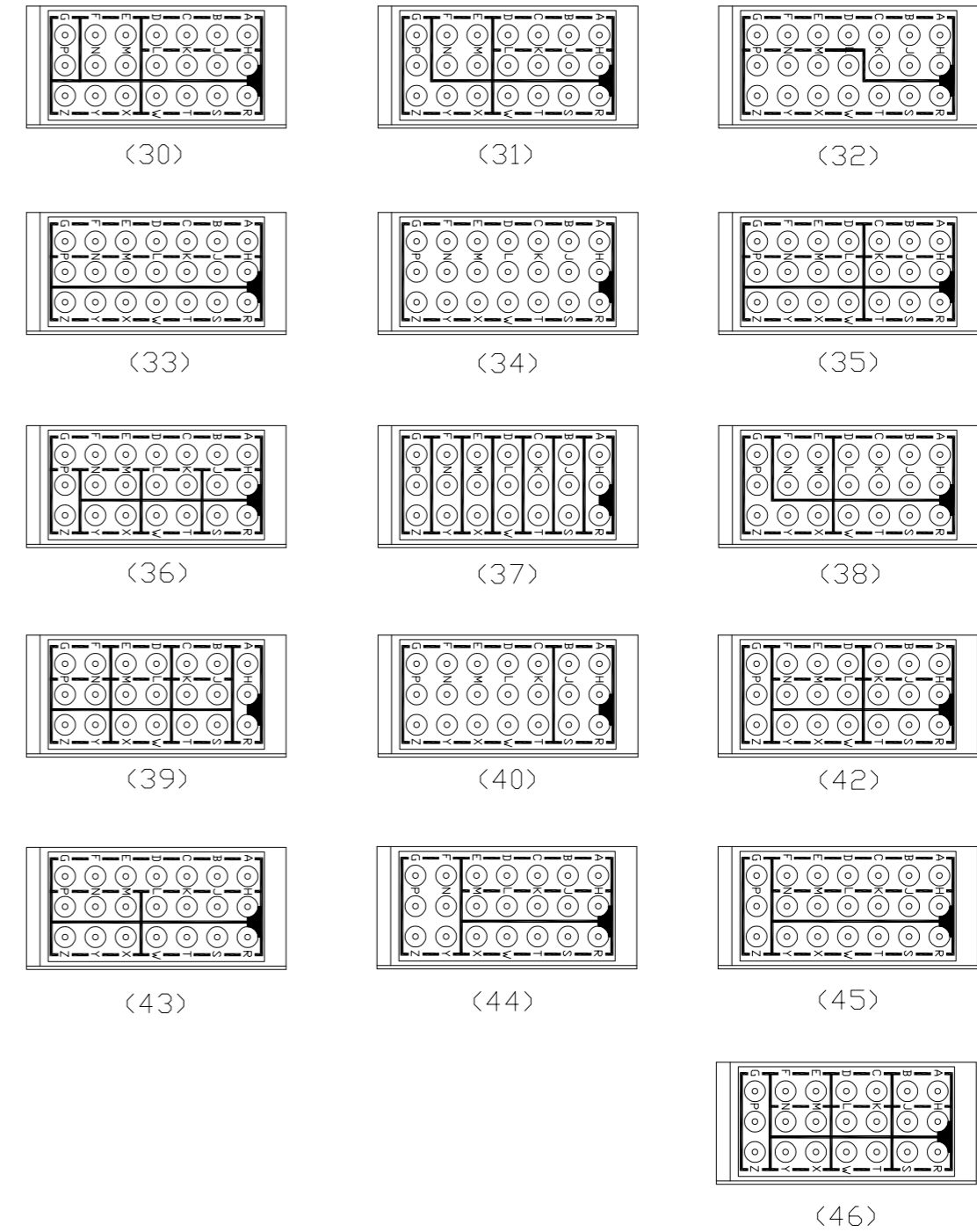
Email & Skype: info@chipsmall.com Web: www.chipsmall.com

Address: A1208, Overseas Decoration Building, #122 Zhenhua RD., Futian, Shenzhen, China



THIS DRAWING IS UNPUBLISHED.		RELEASED FOR PUBLICATION
© COPYRIGHT - By -		ALL RIGHTS RESERVED.
DESCRIPTION	MATERIAL	FINISH
MODULE ASSEMBLY	D.A.P. PER MIL-M14 TYPE SDG-F	COLOR: GREEN
GROMMET	FLUORSILICONE RUBBER MPS #10149	COLOR: GREEN
CONTACT SOCKET	BERYLLIUM COPPER PER ASTM B194	GOLD PLATE PER MIL-G-45204
RETAINING CLIP	BERYLLIUM COPPER PER ASTM B194 OR STAINLESS STEEL PER QQ-S-766	NONE
CONTACTS	COPPER ALLOY PER MIL-C-39029/1	GOLD PLATE PER MIL-G-45204
SEALING PLUGS	F.E.P. PER MIL-P-19468	COLOR: BLACK

LDC		DIST		REVISIONS			
DF	AO	P	LTR	DESCRIPTION	DATE	DWN	APVD
		B		REV PER ECO-11-011660	11 JUL 11	PY	DE



BUSSING ARRANGEMENTS \triangle

- \triangle 4 CONTACTS AND SEALING PLUGS ARE PACKAGED SEPARATELY WHEN REQUIRED.
- \triangle 3 BUSSING ARRANGEMENT OUTLINE DENOTES INTERNAL ARRANGEMENT OF CONTACT SOCKETS.
- \triangle 2 MARK MODULE ASSEMBLY WITH CUSTOMER PART NO., MILITARY PART NO. IF REQUIRED .060 MINIMUM HIGH CHARACTERS AT APPROXIMATE AREA SHOWN.
- \triangle 1 MARK MODULE ASSEMBLY WITH "AMP", AMP PART NO. AND DATE CODE .060 MINIMUM HIGH CHARACTERS AT APPROXIMATE AREA SHOWN.

THIS DRAWING IS A CONTROLLED DOCUMENT.		DWN J. MECK 31 JAN 2002																				
DIMENSIONS: INCHES		CHK R. RYAN 12-14-94																				
TOLERANCES UNLESS OTHERWISE SPECIFIED:		APVD R. RYAN 12-14-94	NAME -																			
<table border="1"> <tr><td>0 PLC</td><td>±</td><td>-</td></tr> <tr><td>1 PLC</td><td>±</td><td>-</td></tr> <tr><td>2 PLC</td><td>±</td><td>-</td></tr> <tr><td>3 PLC</td><td>±</td><td>.005</td></tr> <tr><td>4 PLC</td><td>±</td><td>-</td></tr> <tr><td>ANGLES</td><td>±</td><td>-</td></tr> </table>		0 PLC	±	-	1 PLC	±	-	2 PLC	±	-	3 PLC	±	.005	4 PLC	±	-	ANGLES	±	-	PRODUCT SPEC -	MODULE ASSY, FEED-BACK, SIZE 22HD, TJ	
0 PLC	±	-																				
1 PLC	±	-																				
2 PLC	±	-																				
3 PLC	±	.005																				
4 PLC	±	-																				
ANGLES	±	-																				
MATERIAL		APPLICATION SPEC -	SIZE A2	CAGE CODE 00779	DRAWING NO C-592630																	
FINISH		WEIGHT -	RESTRICTED TO -																			
		CUSTOMER DRAWING	SCALE 2:1	SHEET 1 of 2	REV B																	

THIS DRAWING IS UNPUBLISHED. RELEASED FOR PUBLICATION
 © COPYRIGHT - By - ALL RIGHTS RESERVED.


LOC		DIST		REVISIONS			
P	LTR	DESCRIPTION		DATE	DWN	APVD	
				SEE SHEET 1			

		46	45	44	43	42	40	39	38	37	36	35	34	33	32	31	30	SEALING PLUG QTY 2	CONTACTS QTY 22	PART NO.
	MRTB21E33																			4-592630-4
SUPERSEDED BY 4-592629-3	M81714/17-A43					X												X	X	4-592630-3
	M81714/17-A41																	OBSOLETE	X	4-592630-1
	MRTB21E37								X											3-592630-9
	MRTB21E31															X				3-592630-8
	MRTB21E32														X					3-592630-7
	MRTB21E39							X												3-592630-6
	MRTB21E38								X											3-592630-5
	MRTB21E44			X																3-592630-4
	MRTB21E42					X														3-592630-3
	MRTB21E36										X									3-592630-2
	MRTB21E35											X								3-592630-1
		X																		3-592630-0
		X																X	X	2-592630-9
			X																	2-592630-8
SUPERSEDED BY 4-592629-5	M81714/17-A45		X															X	X	2-592630-7
				X																2-592630-6
SUPERSEDED BY 1-592629-9	M81714/17-A44			X														X	X	2-592630-5
						X														2-592630-4
SUPERSEDED BY 4-592629-2	M81714/17-A42					X												X	X	2-592630-3
								X												2-592630-2
SUPERSEDED BY 1-592629-7	M81714/17-A40							X										X	X	2-592630-1
									X											2-592630-0
SUPERSEDED BY 1-592629-5	M81714/17-A39								X									X	X	1-592630-9
										X										1-592630-8
SUPERSEDED BY 1-592629-3	M81714/17-A38									X								X	X	1-592630-7
											X									1-592630-6
SUPERSEDED BY 1-592629-1	M81714/17-A37										X							X	X	1-592630-5
												X								1-592630-4
SUPERSEDED BY 4-592629-4	M81714/17-A36											X						X	X	1-592630-3
													X							1-592630-2
SUPERSEDED BY 592629-9	M81714/17-A35													X				X	X	1-592630-1
															X					1-592630-0
SUPERSEDED BY 592629-7	M81714/17-A34														X			X	X	592630-9
																				592630-8
SUPERSEDED BY 592629-5	M81714/17-A33															X		X	X	592630-7
																				592630-6
SUPERSEDED BY 592629-3	M81714/17-A32															X		X	X	592630-5
																				592630-4
SUPERSEDED BY 592629-1	M81714/17-A31															X		X	X	592630-3
																				592630-2
SUPERSEDED BY 4-592629-7	M81714/17-A30															X		X	X	592630-1

MARKING


BUSSING ARRANGEMENTS

SEALING PLUG QTY 2 
 CONTACTS QTY 22  PART NO.

THIS DRAWING IS A CONTROLLED DOCUMENT.		DWN	J.MECK	31JAN2002	 TE Connectivity		
DIMENSIONS: INCHES		CHK	R.RYAN	12-14-94			
TOLERANCES UNLESS OTHERWISE SPECIFIED:		APVD	R.RYAN	12-14-94			
0 PLC ± - 1 PLC ± - 2 PLC ± - 3 PLC ± .005 4 PLC ± - ANGLES ± - FINISH -		PRODUCT SPEC	-				
MATERIAL		APPLICATION SPEC	-		NAME	MODULE ASSY,FEED-BACK,SIZE 22HD,TJ	
		WEIGHT	-		SIZE	CAGE CODE	DRAWING NO
		CUSTOMER DRAWING		SCALE	2:1	SHEET	2 of 2
				A2 00779 C=592630		RESTRICTED TO	-
						REV	B