



Chipsmall Limited consists of a professional team with an average of over 10 year of expertise in the distribution of electronic components. Based in Hongkong, we have already established firm and mutual-benefit business relationships with customers from,Europe,America and south Asia,supplying obsolete and hard-to-find components to meet their specific needs.

With the principle of “Quality Parts,Customers Priority,Honest Operation,and Considerate Service”,our business mainly focus on the distribution of electronic components. Line cards we deal with include Microchip,ALPS,ROHM,Xilinx,Pulse,ON,Everlight and Freescale. Main products comprise IC,Modules,Potentiometer,IC Socket,Relay,Connector.Our parts cover such applications as commercial,industrial, and automotives areas.

We are looking forward to setting up business relationship with you and hope to provide you with the best service and solution. Let us make a better world for our industry!



Contact us

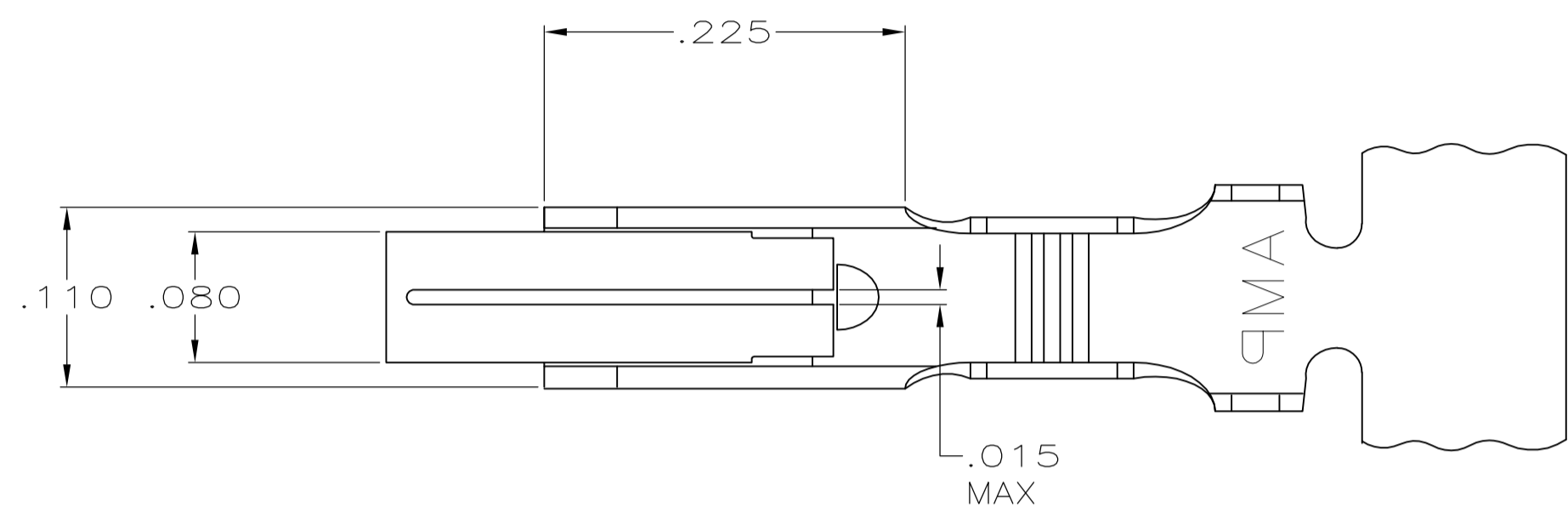
Tel: +86-755-8981 8866 Fax: +86-755-8427 6832

Email & Skype: info@chipsmall.com Web: www.chipsmall.com

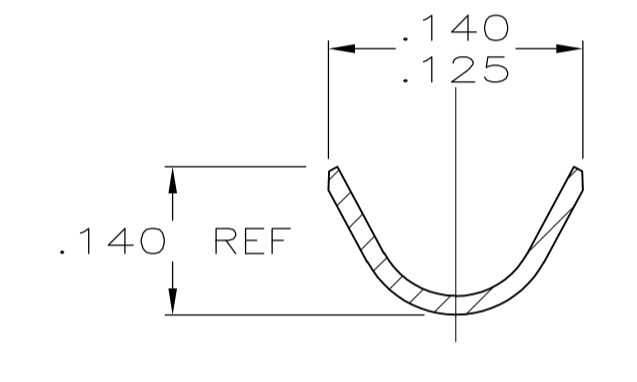
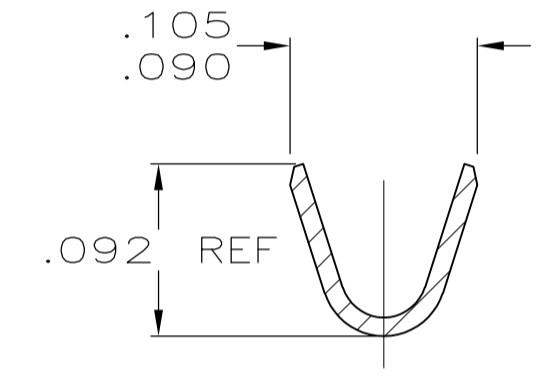
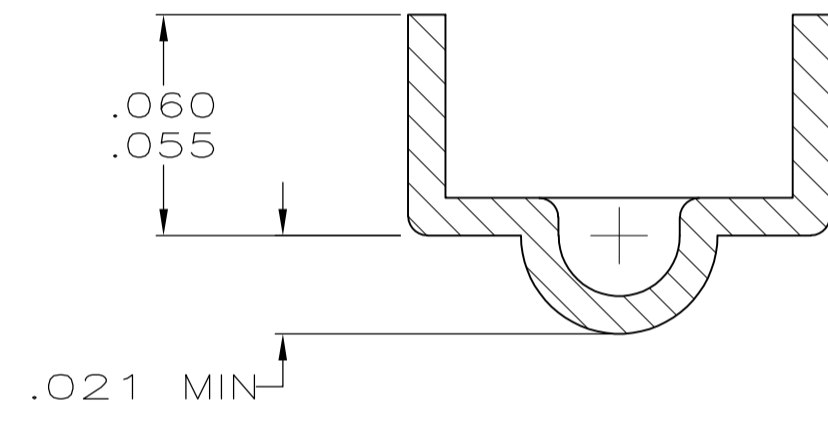
Address: A1208, Overseas Decoration Building, #122 Zhenhua RD., Futian, Shenzhen, China



LOC	DIST	REVISIONS				
CM	00	REV	DESCRIPTION	DATE	DWN	APVD
		AS1	REVISED PER ECO-11-005027	11MAR11	RK	HMR



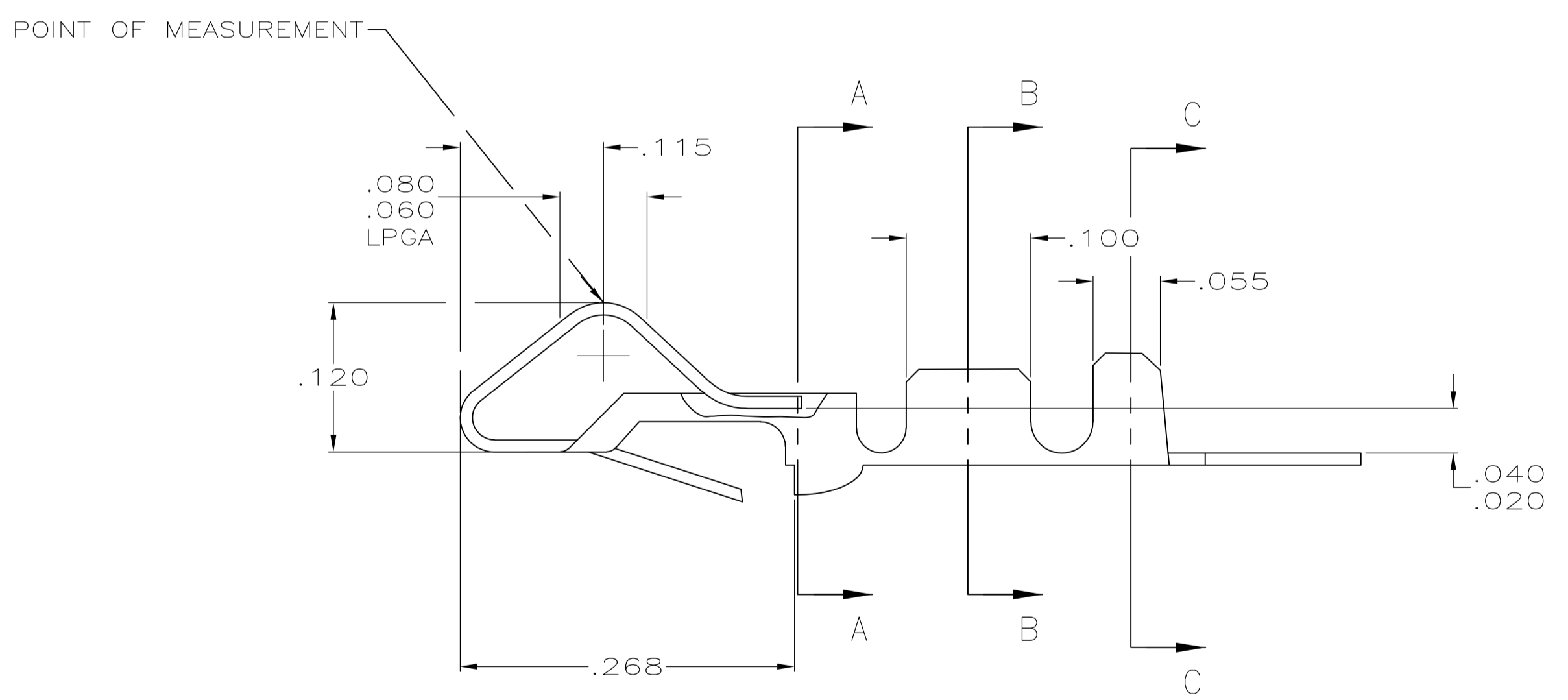
- 1 .000080 - .000200 TIN OVER .000050 MIN NICKEL
- 2 INSULATION RANGE: .100 DIA MAX. WIRE RANGE :24-18 AWG (0.02 - 0.9 MM²).
- 3 .000080 - .000200 TIN-LEAD OVER .000050 MIN NICKEL
- 4 .000050 NICKEL OVERALL WITH .000030 MIN GOLD IN THE LOCALIZED GOLD PLATE AREA (LGPA).



SECTION A-A
SCALE 20:1

SECTION B-B

SECTION C-C



NOTES	FINISH	MATERIAL	PART NO.
-	1	.012 BRASS	3-61668-1
-	4	.012 PH BRZ	61668-4
-	PRE-TIN	.012 PH BRZ	61668-2
-	3	.012 BRASS	61668-1

THIS DRAWING IS A CONTROLLED DOCUMENT.

DWN: S. CARPENTER 21AUG2003
 CHK: J. ELLIS 21AUG2003

APVD: J. ELLIS 21AUG2003

NAME: CONTACT, BIFURCATED LEAF

PRODUCT SPEC: APPLICATION SPEC

SIZE: A1 CAGE CODE: 00779 DRAWING NO: 61668

WEIGHT: RESTRICTED TO: -

CUSTOMER DRAWING SCALE: 10:1 SHEET: 1 OF 1 REV: AS1