



Chipsmall Limited consists of a professional team with an average of over 10 year of expertise in the distribution of electronic components. Based in Hongkong, we have already established firm and mutual-benefit business relationships with customers from,Europe,America and south Asia,supplying obsolete and hard-to-find components to meet their specific needs.

With the principle of “Quality Parts,Customers Priority,Honest Operation,and Considerate Service”,our business mainly focus on the distribution of electronic components. Line cards we deal with include Microchip,ALPS,ROHM,Xilinx,Pulse,ON,Everlight and Freescale. Main products comprise IC,Modules,Potentiometer,IC Socket,Relay,Connector.Our parts cover such applications as commercial,industrial, and automotives areas.

We are looking forward to setting up business relationship with you and hope to provide you with the best service and solution. Let us make a better world for our industry!



## Contact us

Tel: +86-755-8981 8866 Fax: +86-755-8427 6832

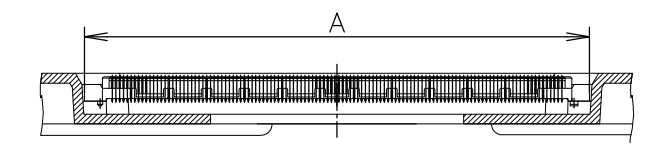
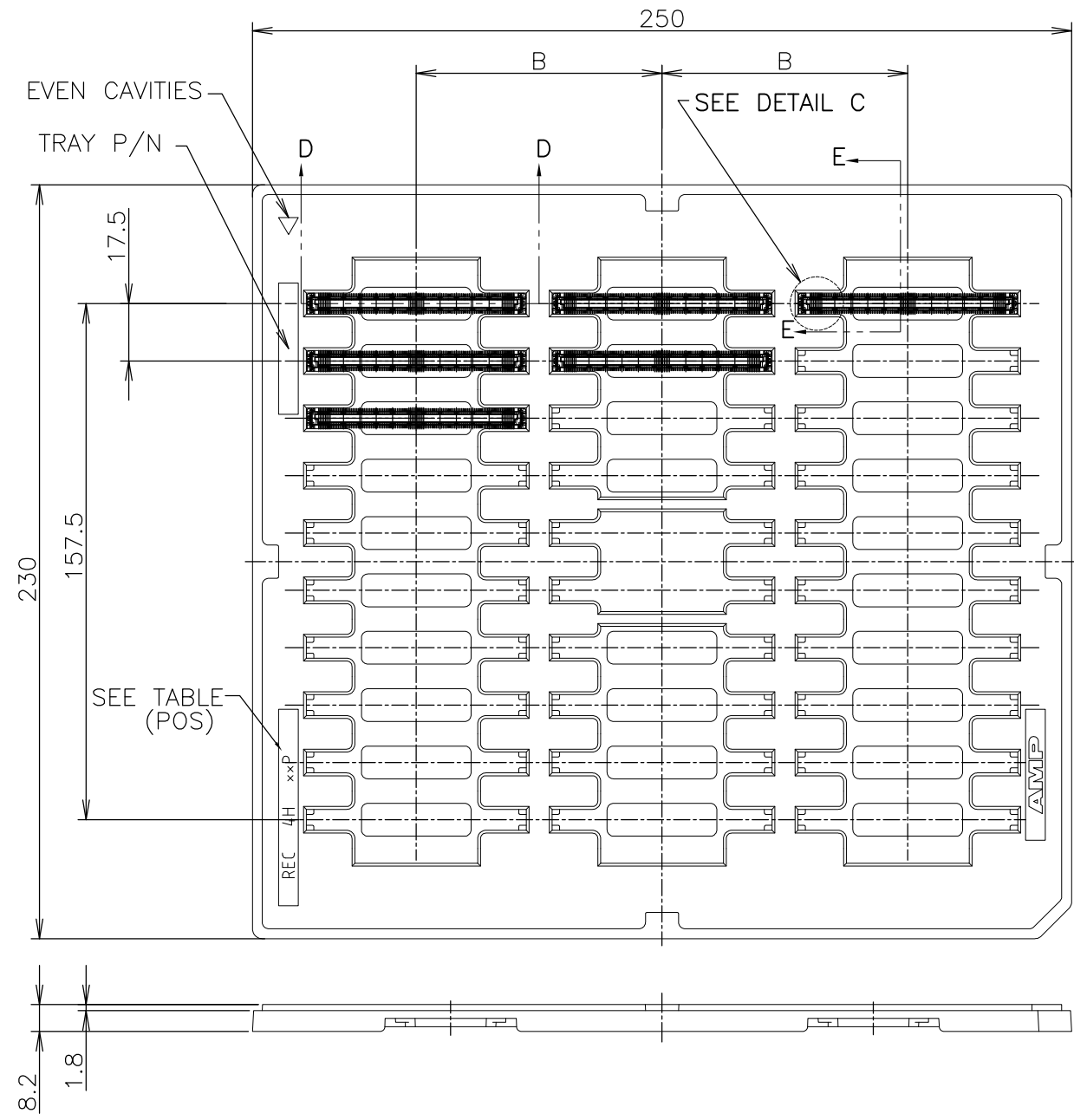
Email & Skype: info@chipsmall.com Web: www.chipsmall.com

Address: A1208, Overseas Decoration Building, #122 Zhenhua RD., Futian, Shenzhen, China

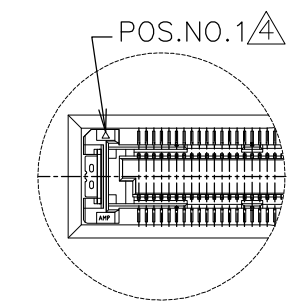


THIS DRAWING IS UNPUBLISHED. RELEASED FOR PUBLICATION .2005.  
 © COPYRIGHT 2005 By - ALL RIGHTS RESERVED.

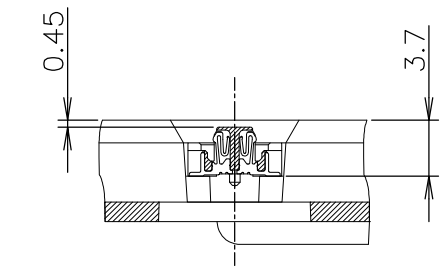
LOC	DIST	REVISIONS			
P	LTR	DESCRIPTION	DATE	DWN	APVD
ES		B1	REVISED PER ECO-11-005033	26MAR11	RK HMR



SECT. D-D  
 (SCALE 2:1)  
 (CONNECTOR NOT SECTION)



DETAIL C  
 (SCALE 2:1)



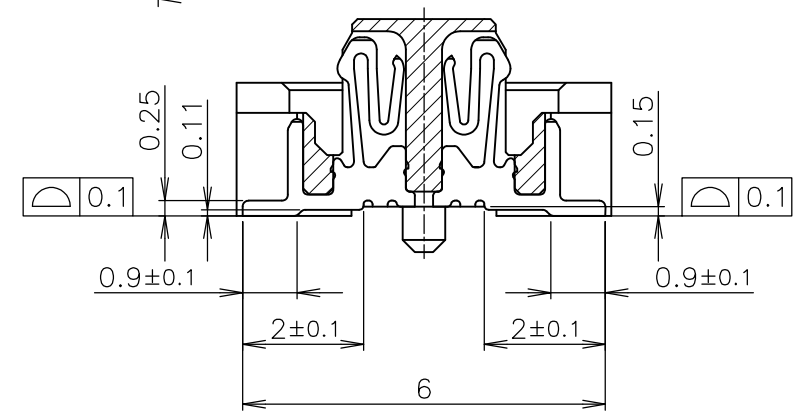
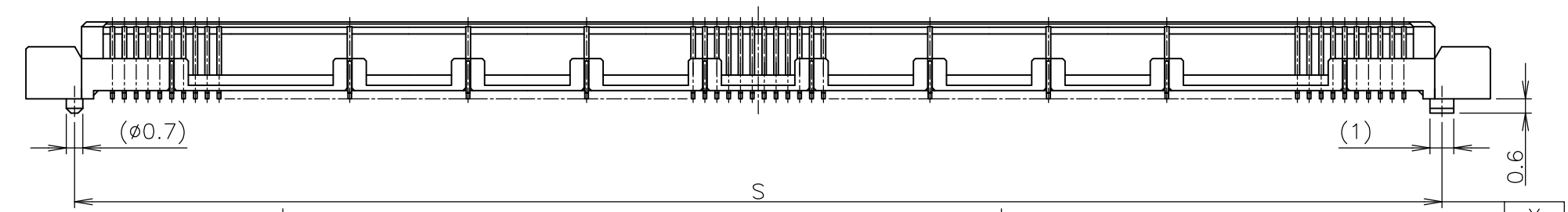
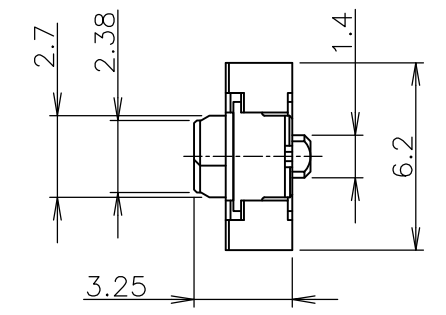
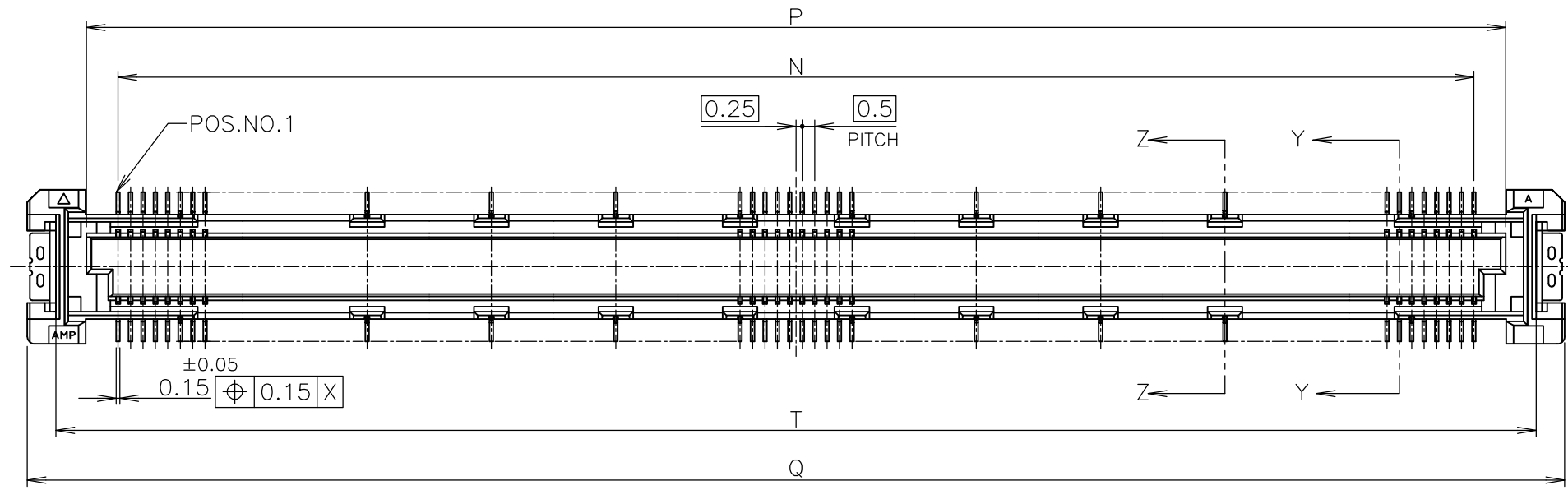
E-E  
 (SCALE 2:1)

	YES	3	30	75	61.8	220	8-6318490-6
	NO	3	30	75	61.8	220	3-6318490-6
	SEALANT	ROW	QTY	B	A	POS.	PART NO.

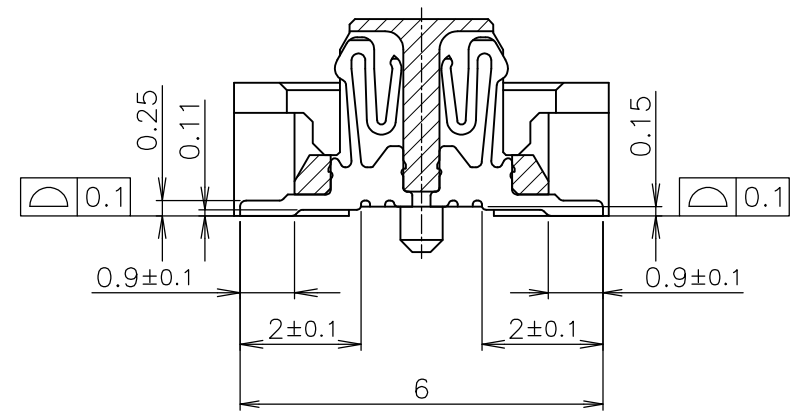
THIS DRAWING IS A CONTROLLED DOCUMENT.		DWN	BILL LV	150CT10	<b>STE</b> TE Connectivity		
DIMENSIONS: MM		CHK	MARTIN LI	150CT10			
TOLERANCES UNLESS OTHERWISE SPECIFIED:		APVD	STEVEN YAO	150CT10	NAME		
0 PLC ± 0.3		PRODUCT SPEC		HARD TRAY ASSY			
1 PLC ± 0.3		108-5560		FH 0.5BTB CONNECTOR 220POS			
2 PLC ± 0.3		APPLICATION SPEC		REC 4H WITH GROUND PLATE			
3 PLC ± 0.3		WEIGHT		SIZE	CAGE CODE	DRAWING NO	RESTRICTED TO
4 PLC ± 0.3		CUSTOMER DRAWING		A3	00779	C-6318490	
ANGLES ± 3°		SCALE		1:2		SHEET	1 OF 3
FINISH		SCALE		1:2		REV	B1

THIS DRAWING IS UNPUBLISHED. RELEASED FOR PUBLICATION .2002.  
 © COPYRIGHT 2002 By - ALL RIGHTS RESERVED.

LOC	DIST	REVISIONS			
P	LTR	DESCRIPTION	DATE	DWN	APVD
-	-	-SEE SHEET 1-	-	-	-



SECT. Z-Z  
(GROUND POSITION)  
(SCALE 8:1)



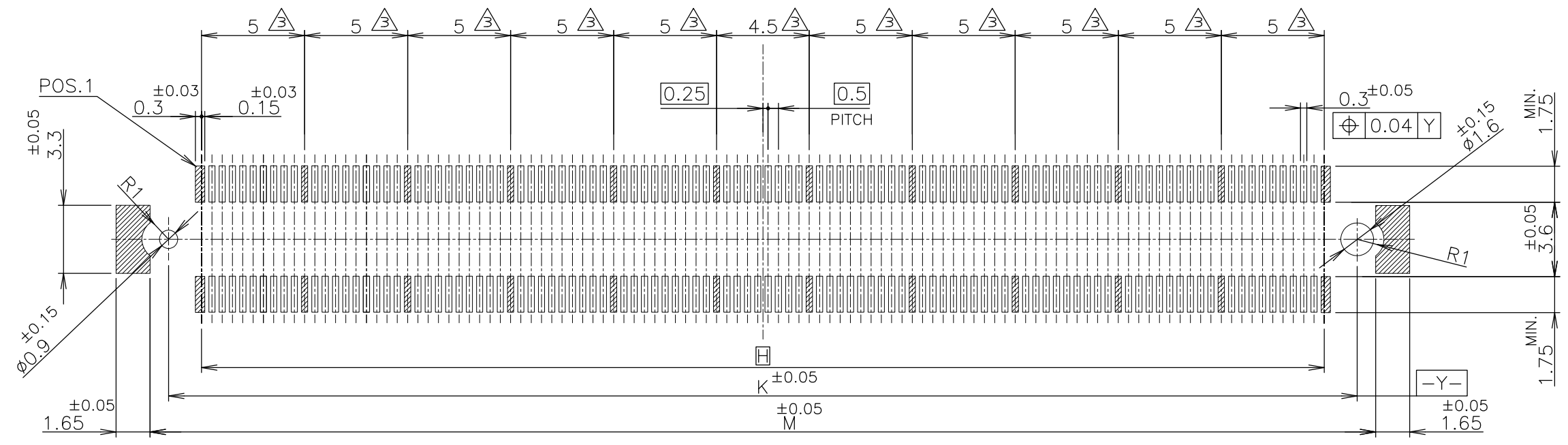
SECT. Y-Y  
(SIGNAL POSITION)  
(SCALE 8:1)

59.5	57.7	61.8	57.1	54.5	220	BLACK	8-6318490-6
59.5	57.7	61.8	57.1	54.5	220	BLACK	3-6318490-6
T	S	Q	P	N	POS.	HSG COLOR	PART NO.

THIS DRAWING IS A CONTROLLED DOCUMENT.		DWN	TE Connectivity NAME HARD TRAY ASSY FH 0.5BTB CONNECTOR 220POS REC 4H WITH GROUND PLATE				
DIMENSIONS: MM		CHK					
TOLERANCES UNLESS OTHERWISE SPECIFIED:		APVD					
0 PLC ± 0.3 1 PLC ± 0.3 2 PLC ± 0.3 3 PLC ± 0.3 4 PLC ± 0.3 ANGLES ± 3°		PRODUCT SPEC					
MATERIAL		APVD	APPLICATION SPEC	SIZE	CAGE CODE	DRAWING NO	RESTRICTED TO
1		WEIGHT	A3 00779		C-6318490		
2		CUSTOMER DRAWING		SCALE	SHEET	REV	
				4:1	2 OF 3	B1	

THIS DRAWING IS UNPUBLISHED. RELEASED FOR PUBLICATION ,2002.  
 © COPYRIGHT 2002 By - ALL RIGHTS RESERVED.

LOC	DIST	REVISIONS			
P	LTR	DESCRIPTION	DATE	DWN	APVD
-	-	-SEE SHEET 1-	-	-	-



REFERENCE P.C.BOARD LAYOUT

NOTES

- ① MATERIAL ; HOUSING : HIGH TEMP THERMO PLASTIC UL94V-0  
 CONTACT : COPPER ALLOY  
 SOLDER PEG : COPPER ALLOY
- ② FINISH ; SIGNAL CONTACT : UNDER PL Ni  
 0.0013mm MIN ALL OVER.  
 CONTACT AREA  
 0.0002mm MIN Au PL.  
 SOLDERING AREA  
 0.00005mm MIN Au PL.
- GROUND CONTACT : UNDER PL Ni  
 0.0013mm MIN ALL OVER.  
 CONTACT AREA  
 0.0002mm MIN Au PL.  
 SOLDERING AREA  
 0.001mm MIN TIN PL.
- SOLDER PEG : 0.001mm MIN  
 TIN PL. OVER  
 0.0013mm MIN  
 Ni PL ALL OVER.
- ③ THIS POSITION IS GROUND CIRCUIT.
- ④ THE PRODUCT WAS COATED BY FLUX-PENETRATION-INHIBITING AGENT.

59.5	57.7	54.5	220	8-6318490-6
59.5	57.7	54.5	220	3-6318490-6
M	K	H	POS	PART NO.

THIS DRAWING IS A CONTROLLED DOCUMENT.		DWN		TE Connectivity <b>HARD TRAY ASSY</b> <b>FH 0.5BTB CONNECTOR 220POS</b> <b>REC 4H WITH GROUND PLATE</b>	
DIMENSIONS: MM		CHK			
TOLERANCES UNLESS OTHERWISE SPECIFIED:		APVD			
0 PLC ± 0.3 1 PLC ± 0.3 2 PLC ± 0.3 3 PLC ± 0.3 4 PLC ± 0.3 ANGLES ± 3°		PRODUCT SPEC			
MATERIAL		FINISH		NAME	
				APPLICATION SPEC	
		WEIGHT		SIZE	
				CAGE CODE	
				DRAWING NO	
				RESTRICTED TO	
		CUSTOMER DRAWING		A3 00779 C-6318490	
		SCALE 4:1		SHEET 3 OF 3	
				REV B1	