



Chipsmall Limited consists of a professional team with an average of over 10 year of expertise in the distribution of electronic components. Based in Hongkong, we have already established firm and mutual-benefit business relationships with customers from,Europe,America and south Asia,supplying obsolete and hard-to-find components to meet their specific needs.

With the principle of "Quality Parts,Customers Priority,Honest Operation,and Considerate Service",our business mainly focus on the distribution of electronic components. Line cards we deal with include Microchip,ALPS,ROHM,Xilinx,Pulse,ON,Everlight and Freescale. Main products comprise IC,Modules,Potentiometer,IC Socket,Relay,Connector.Our parts cover such applications as commercial,industrial, and automotives areas.

We are looking forward to setting up business relationship with you and hope to provide you with the best service and solution. Let us make a better world for our industry!



Contact us

Tel: +86-755-8981 8866 Fax: +86-755-8427 6832

Email & Skype: info@chipsmall.com Web: www.chipsmall.com

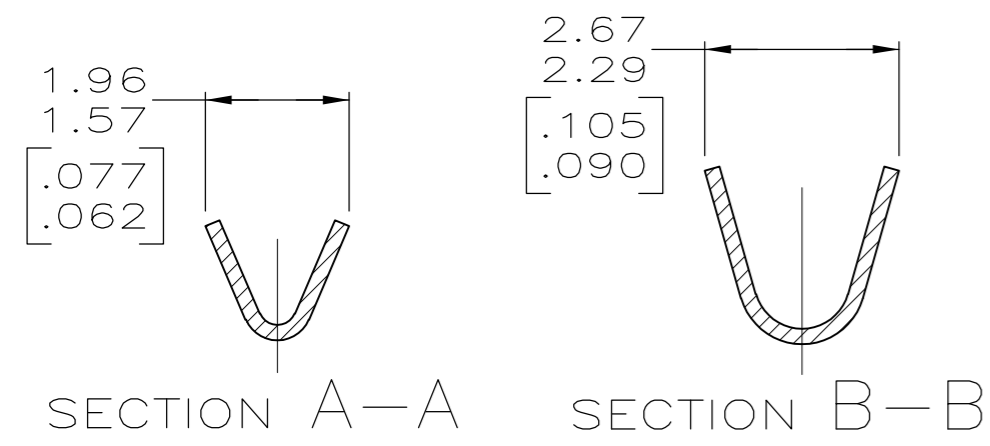
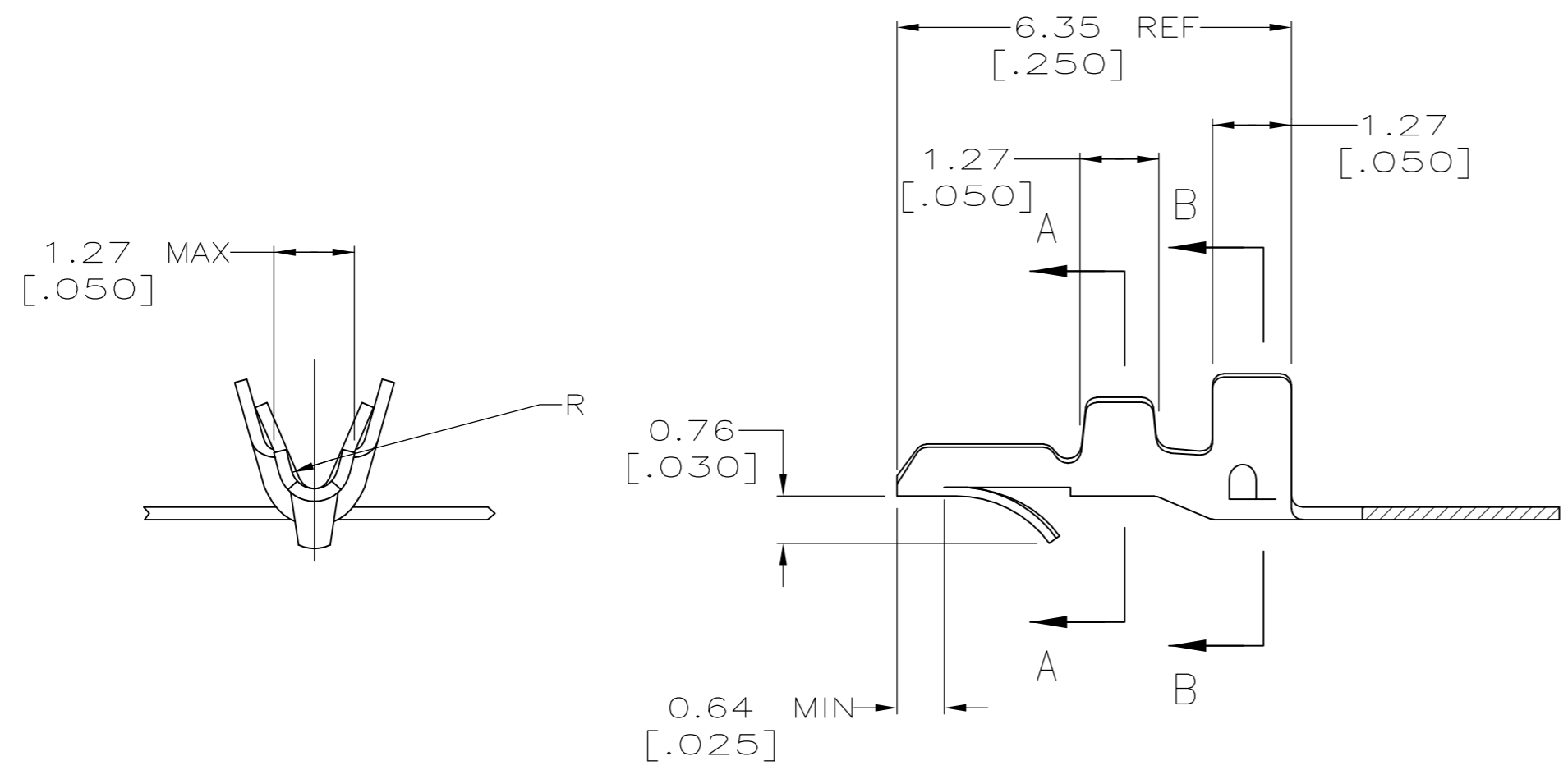
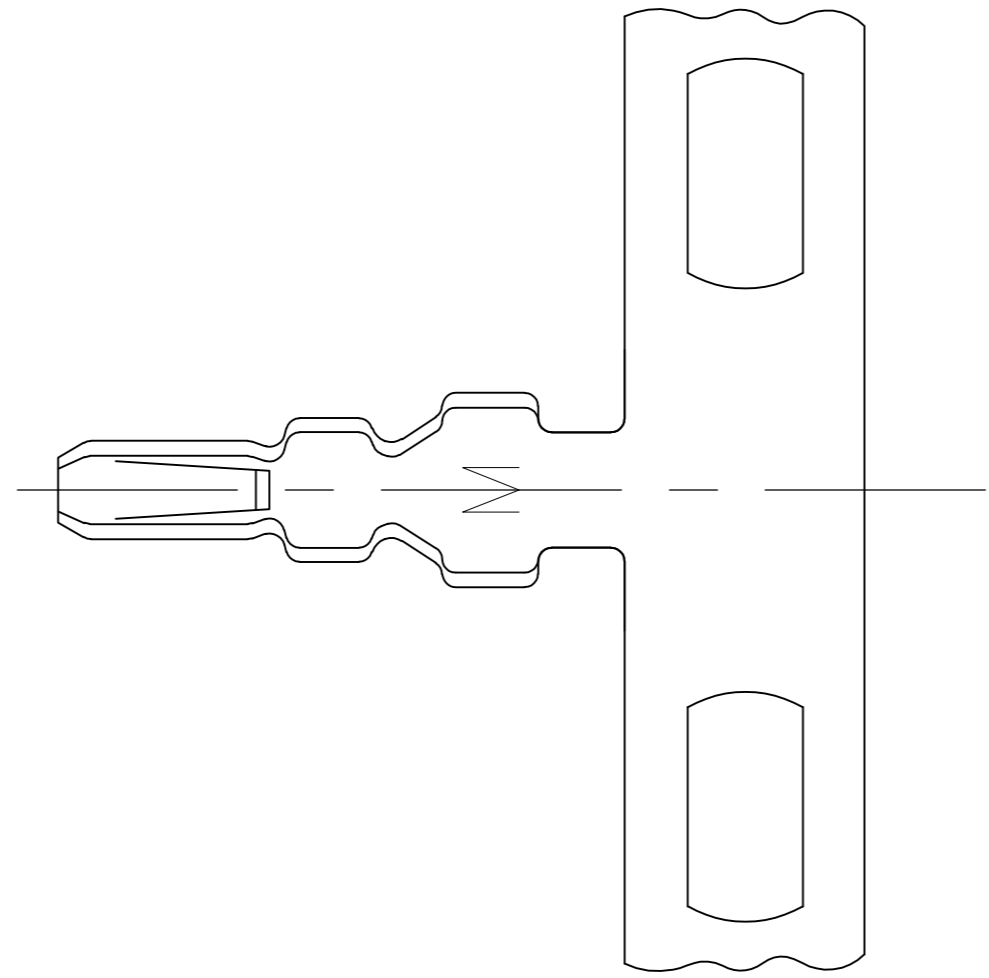
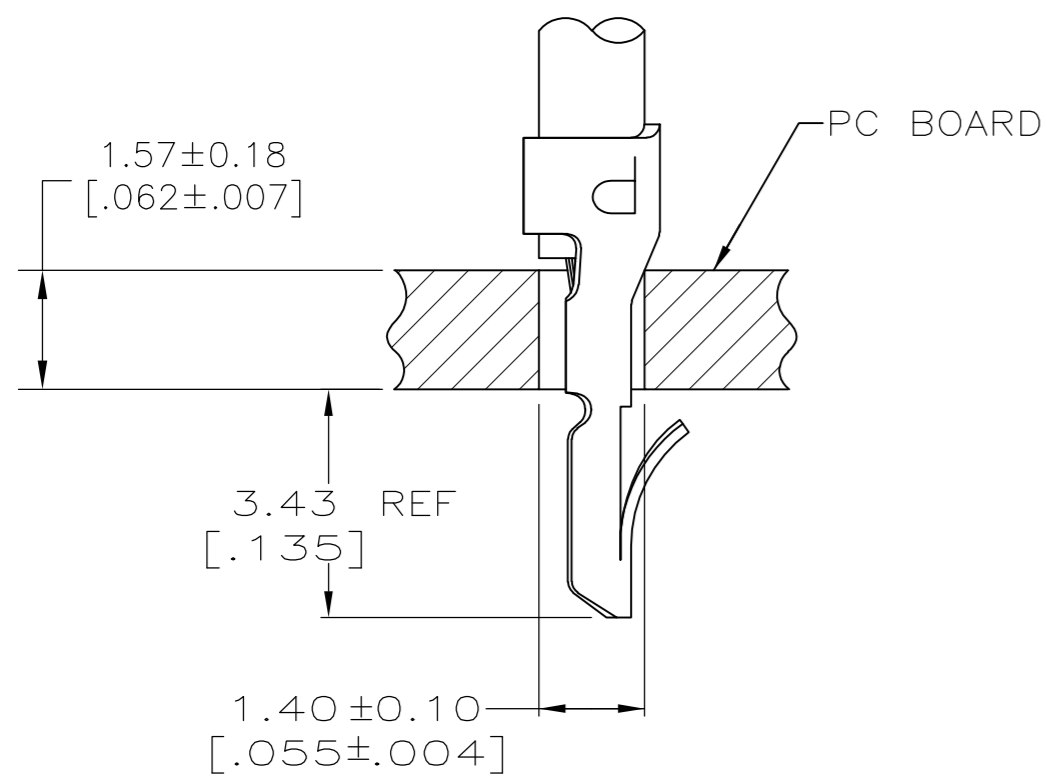
Address: A1208, Overseas Decoration Building, #122 Zhenhua RD., Futian, Shenzhen, China



THIS DRAWING IS UNPUBLISHED. RELEASED FOR PUBLICATION
 © COPYRIGHT - By - ALL RIGHTS RESERVED.

LOC	DIST	REVISIONS					
CM	00	P	LTR	DESCRIPTION	DATE	DWN	APVD
		J1		REVISED PER ECO-11-004917	11MAR11	RK	HMR

- PARTS COMPLY WITH AMP SOLDERABILITY SPEC 109-11-3.
- PARTS CAPABLE OF BEING APPLIED BY AMPOMATER.
- 0.00508 [.000200] MIN BRIGHT TIN-LEAD.
- WIRE RANGE: 0.12 - 0.4 mm² (26 - 22 AWG).
- INSULATION RANGE: 1.02 - 1.78 [.040 - .070] DIA.
- DIMENSIONS IN BRACKETS ARE IN INCHES.
- 0.00508 [.000200] MIN BRIGHT TIN.



METRIC

7	0.20[.008] PH BRZ	3-640663-1
3	0.20[.008] PH BRZ	640663-1
FINISH	MATERIAL	PART NO

DIMENSIONS:		TOLERANCES UNLESS OTHERWISE SPECIFIED:		DWN		S. CARPENTER		TE Connectivity	
INCHES		0 PLC	±	CHK	21AUG2003				
		1 PLC	±	J. ELLIS	21AUG2003				
		2 PLC	±	APVD	21AUG2003				
		3 PLC	± 0.13 [.005]	J. ELLIS					
		4 PLC	±	PRODUCT SPEC		NAME			
		ANGLES	±	APPLICATION SPEC		MINI AMP-IN™			
MATERIAL	SEE TABLE	FINISH	SEE TABLE	114-1016		SIZE	CAGE CODE	DRAWING NO	RESTRICTED TO
				WEIGHT		A2	00779	C=640663	-
				CUSTOMER DRAWING		SCALE	10:1	SHEET	1 of 1
								REV	J1

A/C BUSINESS GROUP 3323 177-34 RALPH VESTAL

640663