



Chipsmall Limited consists of a professional team with an average of over 10 year of expertise in the distribution of electronic components. Based in Hongkong, we have already established firm and mutual-benefit business relationships with customers from,Europe,America and south Asia,supplying obsolete and hard-to-find components to meet their specific needs.

With the principle of “Quality Parts,Customers Priority,Honest Operation,and Considerate Service”,our business mainly focus on the distribution of electronic components. Line cards we deal with include Microchip,ALPS,ROHM,Xilinx,Pulse,ON,Everlight and Freescale. Main products comprise IC,Modules,Potentiometer,IC Socket,Relay,Connector.Our parts cover such applications as commercial,industrial, and automotives areas.

We are looking forward to setting up business relationship with you and hope to provide you with the best service and solution. Let us make a better world for our industry!



Contact us

Tel: +86-755-8981 8866 Fax: +86-755-8427 6832

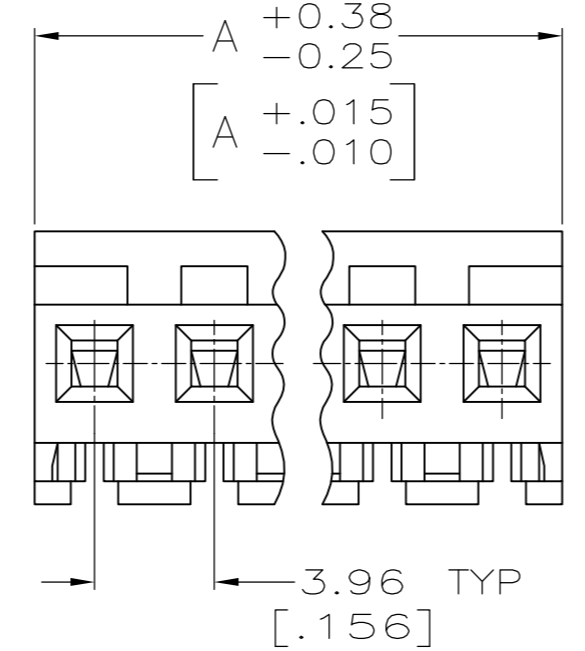
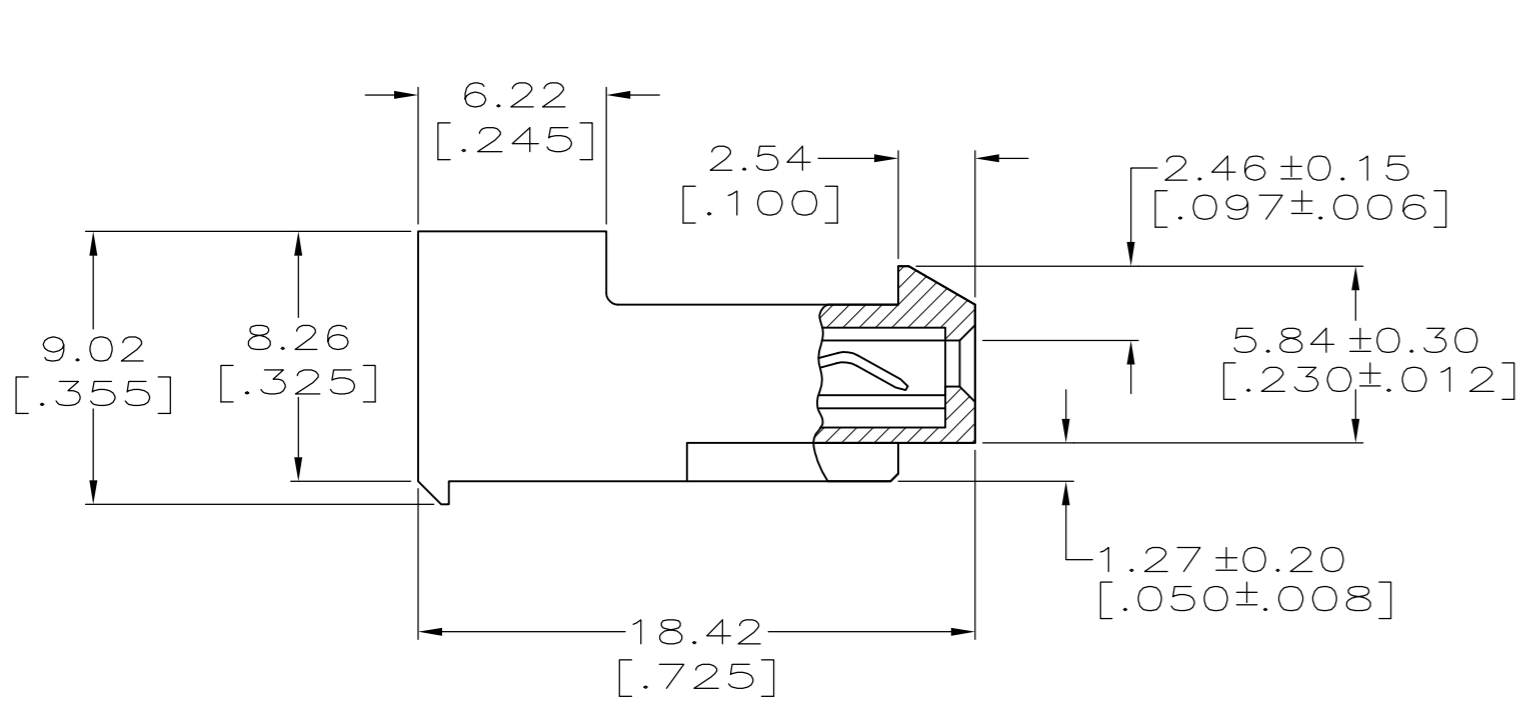
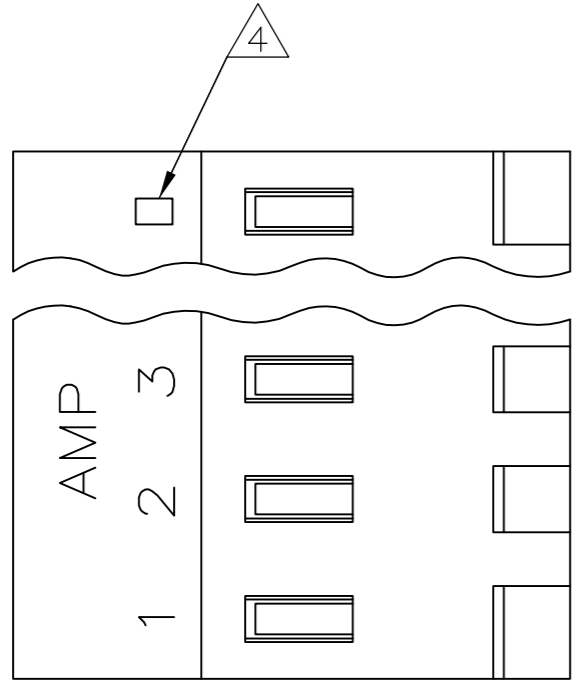
Email & Skype: info@chipsmall.com Web: www.chipsmall.com

Address: A1208, Overseas Decoration Building, #122 Zhenhua RD., Futian, Shenzhen, China



THIS DRAWING IS UNPUBLISHED. RELEASED FOR PUBLICATION
 © COPYRIGHT - By - ALL RIGHTS RESERVED.

LOC		DIST		REVISIONS			
P	LTR	DESCRIPTION		DATE	DWN	APVD	
CM	0	P		REVISED PER ECO-12-007611	03AUG12	KH SM	



1 MATERIAL:
 CONNECTOR - NYLON UL94V-2.
 CONTACTS - 0.30[.012] THICK COPPER ALLOY.
 PLATING - 0.00076[.000030] GOLD THK OR 0.00008[.000003] MIN THK GOLD FLASH OVER 0.00068[.000027] THK PALLADIUM NICKEL, PER TE CONNECTIVITY'S DISCRETION, IN CONTACT AREA. 0.00203[.000080] MIN THICKNESS BRIGHT TIN LEAD IN SLOT AREA FOR 641148-2 THRU 2-641148-4 OR MATTE WHISKER MITIGATED TIN IN SLOT AREA FOR 3-641148-2 THRU 5-641148-4 OVER NICKEL UNDERPLATE.

- 2 CONTACTS ACCEPT 18 AWG WIRE WITH 2.41[.095] MAX INSULATION DIAMETER.
- 3 CONTACTS MUST ACCEPT 1.14±0.03[.045±.001] SQUARE POST AND REMAIN LOCKED IN POSITION.
- 4 IDENTIFICATION NUMBER FOR LAST CIRCUIT MAY NOT APPEAR ON ALL ASSEMBLIES.
- 5 DIMENSIONS IN BRACKETS ARE IN INCHES.
- 6 HOUSING FEATURES ARE: CLOSED END WITH LOCKING RAMP.
- 7 ORANGE COLOR STRIPE ON HOUSING (NOT SHOWN) MAY RUN DOWN BETWEEN RIBS

METRIC

- 8 NOTE DELETED.
- 9 OBSOLETE PARTS: OBSOLETE CIS STREAMLINING PER D.RENAUD/D.SINISI.

CONTACT FINISH	DIM A	NO. OF CIRCUITS	PART NO.
TIN	95.10 [3.744]	24	5-641148-4
TIN	91.14 [3.588]	23	5-641148-3
TIN	87.17 [3.432]	22	5-641148-2
TIN	83.21 [3.276]	21	5-641148-1
TIN	79.25 [3.120]	20	5-641148-0
TIN	75.29 [2.964]	19	4-641148-9
TIN	71.32 [2.808]	18	4-641148-8
TIN	67.36 [2.652]	17	4-641148-7
TIN	63.40 [2.496]	16	4-641148-6
TIN	59.44 [2.340]	15	4-641148-5
TIN	55.47 [2.184]	14	4-641148-4
TIN	51.51 [2.028]	13	4-641148-3
TIN	47.55 [1.872]	12	4-641148-2
TIN	43.59 [1.716]	11	4-641148-1
TIN	39.62 [1.560]	10	4-641148-0
TIN	35.66 [1.404]	9	3-641148-9
TIN	31.70 [1.248]	8	3-641148-8
TIN	27.74 [1.092]	7	3-641148-7
TIN	23.77 [.936]	6	3-641148-6
TIN	19.81 [.780]	5	3-641148-5
TIN	15.85 [.624]	4	3-641148-4
TIN	11.89 [.468]	3	3-641148-3
TIN	7.92 [.312]	2	3-641148-2
SUPERSEDED	95.10 [3.744]	24	2-641148-4
SUPERSEDED	91.14 [3.588]	23	2-641148-3
SUPERSEDED	87.17 [3.432]	22	2-641148-2
SUPERSEDED	83.21 [3.276]	21	2-641148-1
SUPERSEDED	79.25 [3.120]	20	2-641148-0
SUPERSEDED	75.29 [2.964]	19	1-641148-9
SUPERSEDED	71.32 [2.808]	18	1-641148-8
SUPERSEDED	67.36 [2.652]	17	1-641148-7
SUPERSEDED	63.40 [2.496]	16	1-641148-6
SUPERSEDED	59.44 [2.340]	15	1-641148-5
SUPERSEDED	55.47 [2.184]	14	1-641148-4
SUPERSEDED	51.51 [2.028]	13	1-641148-3
SUPERSEDED	47.55 [1.872]	12	1-641148-2
SUPERSEDED	43.59 [1.716]	11	1-641148-1
SUPERSEDED	39.62 [1.560]	10	1-641148-0
SUPERSEDED	35.66 [1.404]	9	641148-9
SUPERSEDED	31.70 [1.248]	8	641148-8
SUPERSEDED	27.74 [1.092]	7	641148-7
SUPERSEDED	23.77 [.936]	6	641148-6
SUPERSEDED	19.81 [.780]	5	641148-5
SUPERSEDED	15.85 [.624]	4	641148-4
SUPERSEDED	11.89 [.468]	3	641148-3
SUPERSEDED	7.92 [.312]	2	641148-2

THIS DRAWING IS A CONTROLLED DOCUMENT. DWN B. LEWIS 2-12-91
 CHK R. SWING 2-12-91
 APVD -
 PRODUCT SPEC 108-1051
 APPLICATION SPEC 114-1020
 MATERIAL 1
 FINISH -
 WEIGHT -
 CUSTOMER DRAWING

TE Connectivity
 MTA-156 CONNECTOR ASSEMBLY, 18 AWG, STANDARD
 SIZE A2 CAGE CODE 00779 DRAWING NO. C-641148
 RESTRICTED TO -
 SCALE 4:1 SHEET 1 OF 1 REV P