



Chipsmall Limited consists of a professional team with an average of over 10 year of expertise in the distribution of electronic components. Based in Hongkong, we have already established firm and mutual-benefit business relationships with customers from,Europe,America and south Asia,supplying obsolete and hard-to-find components to meet their specific needs.

With the principle of “Quality Parts,Customers Priority,Honest Operation,and Considerate Service”,our business mainly focus on the distribution of electronic components. Line cards we deal with include Microchip,ALPS,ROHM,Xilinx,Pulse,ON,Everlight and Freescale. Main products comprise IC,Modules,Potentiometer,IC Socket,Relay,Connector.Our parts cover such applications as commercial,industrial, and automotives areas.

We are looking forward to setting up business relationship with you and hope to provide you with the best service and solution. Let us make a better world for our industry!



Contact us

Tel: +86-755-8981 8866 Fax: +86-755-8427 6832

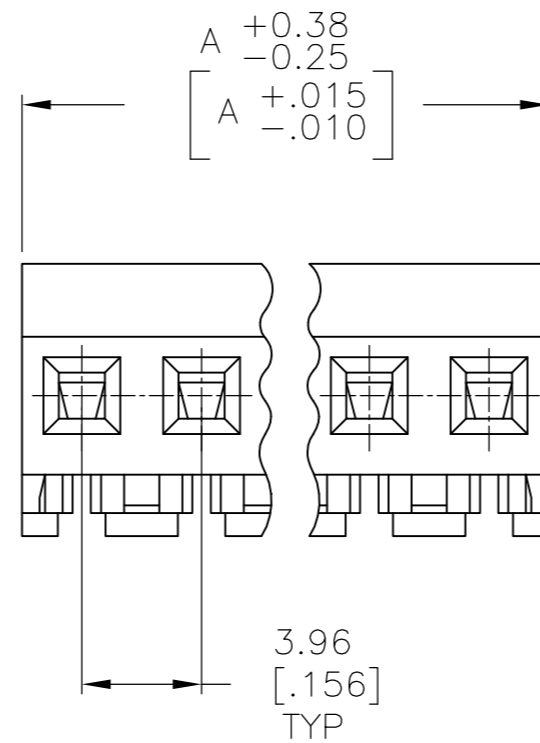
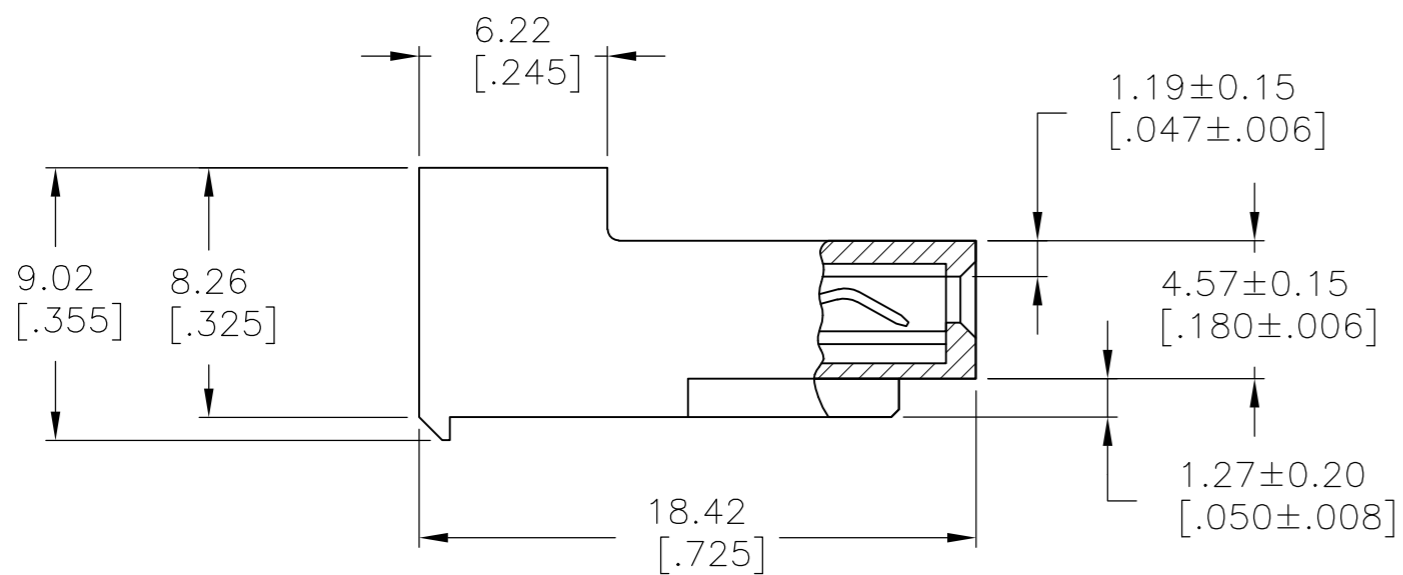
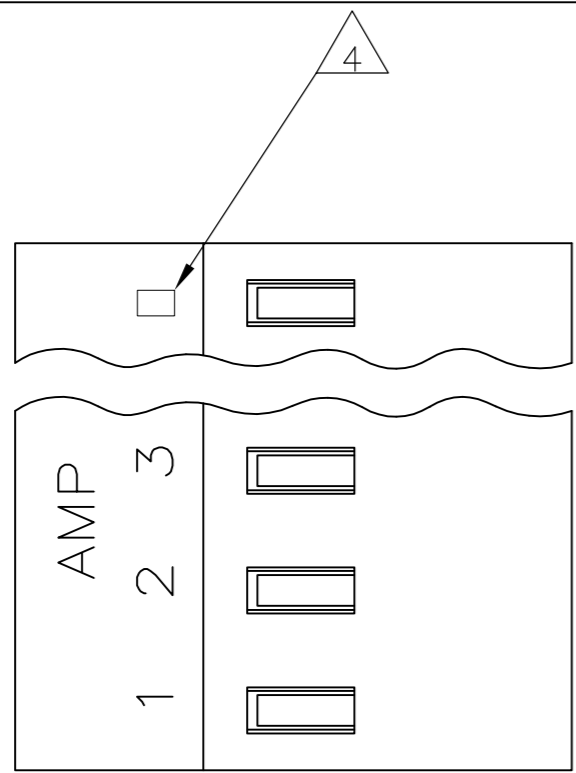
Email & Skype: info@chipsmall.com Web: www.chipsmall.com

Address: A1208, Overseas Decoration Building, #122 Zhenhua RD., Futian, Shenzhen, China



THIS DRAWING IS UNPUBLISHED. RELEASED FOR PUBLICATION
 © COPYRIGHT - By - ALL RIGHTS RESERVED.

LOC	DIST	REVISIONS					
CM	00	P	LTR	DESCRIPTION	DATE	DWN	APVD
		V		REVISED PER ECO-12-007610	25JUL12	KH	SM



1 MATERIAL: CONNECTOR - NYLON UL94V-2 .
 CONTACTS - 0.00076[.000030] GOLD THK OR 0.00008[.000003] MIN THK GOLD FLASH OVER 0.00068[.000027] THK PALLADIUM NICKEL, PER TE CONNECTIVITY'S DISCRETION. IN CONTACT AREA WITH BRIGHT TIN-LEAD FOR -2 THRU -28, MATTE WHISKER MITIGATED TIN FOR 3-641222-2 THRU 5-641222-4 OVER NICKEL UNDERPLATE.

2 CONTACTS ACCEPT 18 AWG WIRE WITH 2.41[.095] MAX INSULATION DIAMETER.

3 CONTACTS MUST ACCEPT 1.14±0.03 [.045±.001] SQUARE POST AND REMAIN LOCKED IN POSITION.

4 IDENTIFICATION NUMBER FOR LAST CIRCUIT MAY NOT APPEAR ON ALL ASSEMBLIES.

5 DIMENSIONS IN BRACKETS ARE IN INCHES.

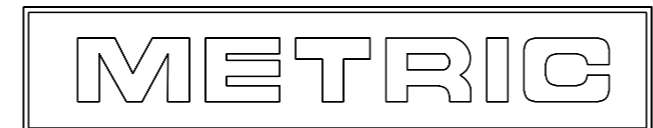
6 HOUSING FEATURES ARE: CLOSED END WITHOUT LOCKING RAMP.

7 OBSOLETE PARTS: OBSOLETE CIS STREAMLINING PER D.RENAUD/D.SINISI

8 ORANGE COLOR STRIPE ON HOUSING (NOT SHOWN) MAY RUN DOWN BETWEEN RIBS.

95.10	[3.744]	24	5-641222-4
91.14	[3.588]	23	5-641222-3
87.17	[3.432]	22	5-641222-2
83.21	[3.276]	21	5-641222-1
79.25	[3.120]	20	5-641222-0
75.29	[2.964]	19	4-641222-9
71.32	[2.808]	18	4-641222-8
67.36	[2.652]	17	4-641222-7
63.40	[2.496]	16	4-641222-6
59.44	[2.340]	15	4-641222-5
55.47	[2.184]	14	4-641222-4
51.51	[2.028]	13	4-641222-3
47.55	[1.872]	12	4-641222-2
43.59	[1.716]	11	4-641222-1
39.62	[1.560]	10	4-641222-0
35.66	[1.404]	9	3-641222-9
31.70	[1.248]	8	3-641222-8
27.74	[1.092]	7	3-641222-7
23.77	[.936]	6	3-641222-6
19.81	[.780]	5	3-641222-5
15.85	[.624]	4	3-641222-4
11.89	[.468]	3	3-641222-3
7.92	[.312]	2	3-641222-2
95.10	[3.744]	24	2-641222-4
91.14	[3.588]	23	2-641222-3
87.17	[3.432]	22	2-641222-2
83.21	[3.276]	21	2-641222-1
79.25	[3.120]	20	2-641222-0
75.29	[2.964]	19	1-641222-9
71.32	[2.808]	18	1-641222-8
67.36	[2.652]	17	1-641222-7
63.40	[2.496]	16	1-641222-6
59.44	[2.340]	15	1-641222-5
55.47	[2.184]	14	1-641222-4
51.51	[2.028]	13	1-641222-3
47.55	[1.872]	12	1-641222-2
43.59	[1.716]	11	1-641222-1
39.62	[1.560]	10	1-641222-0
35.66	[1.404]	9	641222-9
31.70	[1.248]	8	641222-8
27.74	[1.092]	7	641222-7
23.77	[.936]	6	641222-6
19.81	[.780]	5	641222-5
15.85	[.624]	4	641222-4
11.89	[.468]	3	641222-3
7.92	[.312]	2	641222-2

- 7 SUPERSEDED BY 5-641222-4
- 7 SUPERSEDED BY 5-641222-3
- 7 SUPERSEDED BY 5-641222-1
- 7 SUPERSEDED BY 5-641222-0
- 7 SUPERSEDED BY 4-641222-9
- 7 SUPERSEDED BY 4-641222-8
- 7 SUPERSEDED BY 4-641222-7
- 7 SUPERSEDED BY 4-641222-6
- 7 SUPERSEDED BY 4-641222-4
- 7 SUPERSEDED BY 4-641222-3
- 7 SUPERSEDED BY 4-641222-2
- 7 SUPERSEDED BY 4-641222-1
- 7 SUPERSEDED BY 4-641222-0
- 7 SUPERSEDED BY 3-641222-9
- 7 SUPERSEDED BY 3-641222-6
- 7 SUPERSEDED BY 3-641222-5
- 7 SUPERSEDED BY 3-641222-4
- 7 SUPERSEDED BY 3-641222-3
- 7 SUPERSEDED BY 3-641222-2



THIS DRAWING IS A CONTROLLED DOCUMENT.		DWN B. LEWIS 12 FEB 91		
DIMENSIONS: mm [INCHES]		CHK R. SWING 12 FEB 91		
TOLERANCES UNLESS OTHERWISE SPECIFIED:		APVD D. CLARK 21 FEB 91	NAME	
0 PLC ± -		PRODUCT SPEC		
1 PLC ± -		108-1051		
2 PLC ± -		APPLICATION SPEC		
3 PLC ± -		114-1020		
4 PLC ± -		SIZE CAGE CODE DRAWING NO		
ANGLES ± -		A2 00779 C-641222		
FINISH		RESTRICTED TO		
1		-		
1		CUSTOMER DRAWING		
		SCALE 4:1 SHEET 1 OF 1 REV V		