



Chipsmall Limited consists of a professional team with an average of over 10 year of expertise in the distribution of electronic components. Based in Hongkong, we have already established firm and mutual-benefit business relationships with customers from,Europe,America and south Asia,supplying obsolete and hard-to-find components to meet their specific needs.

With the principle of “Quality Parts,Customers Priority,Honest Operation,and Considerate Service”,our business mainly focus on the distribution of electronic components. Line cards we deal with include Microchip,ALPS,ROHM,Xilinx,Pulse,ON,Everlight and Freescale. Main products comprise IC,Modules,Potentiometer,IC Socket,Relay,Connector.Our parts cover such applications as commercial,industrial, and automotives areas.

We are looking forward to setting up business relationship with you and hope to provide you with the best service and solution. Let us make a better world for our industry!



Contact us

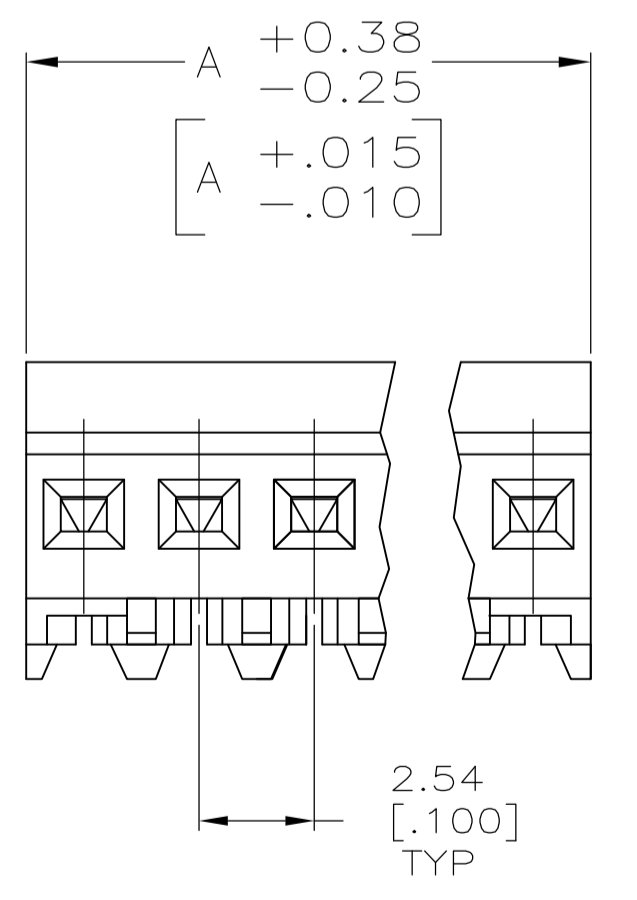
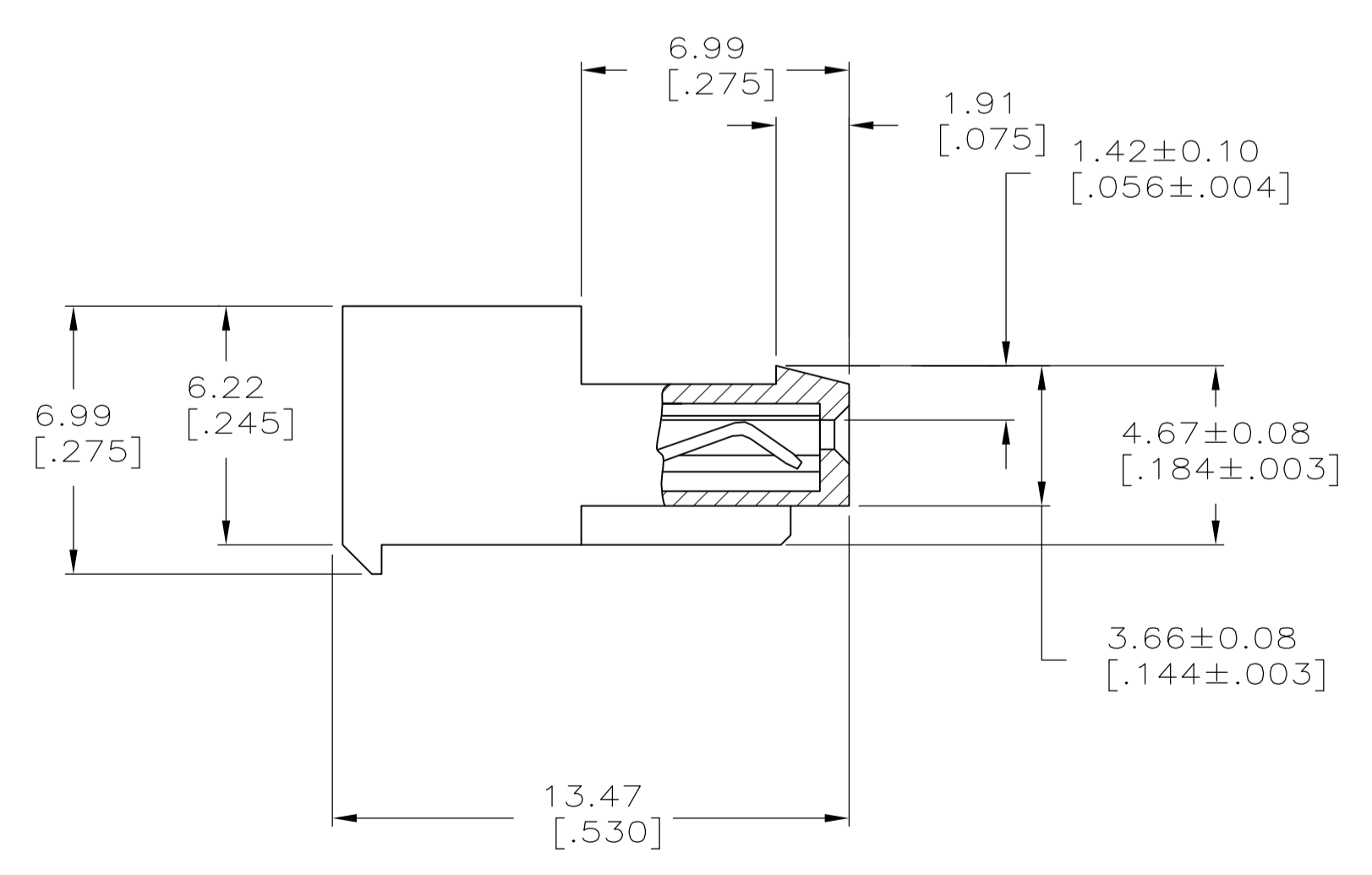
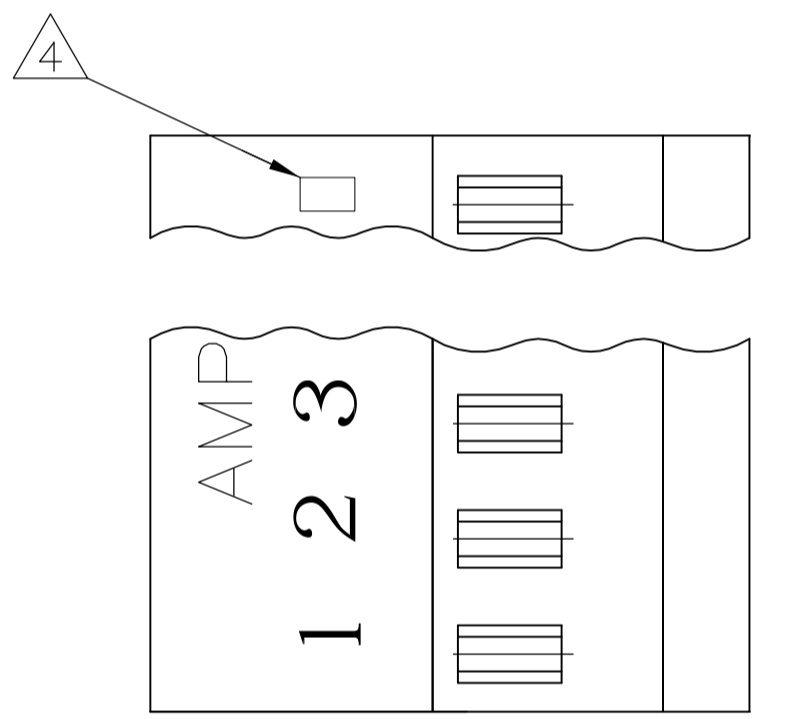
Tel: +86-755-8981 8866 Fax: +86-755-8427 6832

Email & Skype: info@chipsmall.com Web: www.chipsmall.com

Address: A1208, Overseas Decoration Building, #122 Zhenhua RD., Futian, Shenzhen, China



- 1 MATERIAL: CONNECTOR-NYLON UL94V-2 (WHITE).
 CONTACTS-0.30 [.012] THICK COPPER ALLOY
 BRIGHT TIN-LEAD 0.00203 [.000080] MINIMUM THICK FOR CONTACTS
 641535-2 THRU 641535-6,
 MATTE WHISKER MITIGATED TIN PLATE 0.00203 [.000080] MINIMUM THICK OVER
 NICKEL UNDERPLATE FOR CONTACTS 3-641535-2 THRU 3-641535-6.
- 2. CONTACTS ACCEPT 24 AWG WIRE WITH 1.52 [.060] MAXIMUM INSULATION DIAMETER.
- 3. CONTACTS MUST ACCEPT 0.36-0.51 [.014-.020] SQUARE OR ROUND POST AND
 REMAINED LOCKED IN POSITION.
- 4 IDENTIFICATION NUMBER FOR LAST CIRCUIT MAY NOT APPEAR ON ALL ASSEMBLIES.
- 5. DIMENSIONS IN BRACKETS ARE IN INCHES.
- 6. HOUSING FEATURES ARE: CLOSED END WITH LOCKING RAMP & LED CONTACT.
- 7 OBSOLETE PARTS: OBSOLETE CIS STREAMLINING PER D.RENAUD/D.SINISI



LEAD FREE	15.24 [.600]	6	3-641535-6
	12.70 [.500]	5	3-641535-5
	7.62 [.300]	3	3-641535-3
	5.08 [.200]	2	3-641535-2
	DIM A	NO.OF POSN	ASSEMBLY

CONTAINS LEAD	15.24 [.600]	6	641535-6
	12.70 [.500]	5	641535-5
	7.62 [.300]	3	641535-3
	5.08 [.200]	2	641535-2
	DIM A	NO.OF POSN	ASSEMBLY

7 SUPERSEDED
 7 SUPERSEDED



THIS DRAWING IS A CONTROLLED DOCUMENT.		DIN S. HOOVER 10-DEC-2004	TE Connectivity
DIMENSIONS: mm [INCHES]		CJK D. BOSSI 10-DEC-2004	
TOLERANCES UNLESS OTHERWISE SPECIFIED:		APVD D. BOSSI 10-DEC-2004	NAME
0. PLC ±	1. PLC ±	PRODUCT SPEC	MTA-100 CONNECTOR ASSEMBLY,
2. PLC ±	3. PLC ±	APPLICATION SPEC	24 AWG, FOR .014 TO .020 POST, SPECIAL
4. PLC ±	ANGLES ±	SIZE	RESTRICTED TO
MATERIAL 1	FINISH 1	WEIGHT	SCALE 5:1 SHEET 1 OF 1 REV N2
CUSTOMER DRAWING		00779 641535	