



Chipsmall Limited consists of a professional team with an average of over 10 year of expertise in the distribution of electronic components. Based in Hongkong, we have already established firm and mutual-benefit business relationships with customers from,Europe,America and south Asia,supplying obsolete and hard-to-find components to meet their specific needs.

With the principle of “Quality Parts,Customers Priority,Honest Operation,and Considerate Service”,our business mainly focus on the distribution of electronic components. Line cards we deal with include Microchip,ALPS,ROHM,Xilinx,Pulse,ON,Everlight and Freescale. Main products comprise IC,Modules,Potentiometer,IC Socket,Relay,Connector.Our parts cover such applications as commercial,industrial, and automotives areas.

We are looking forward to setting up business relationship with you and hope to provide you with the best service and solution. Let us make a better world for our industry!



## Contact us

Tel: +86-755-8981 8866 Fax: +86-755-8427 6832

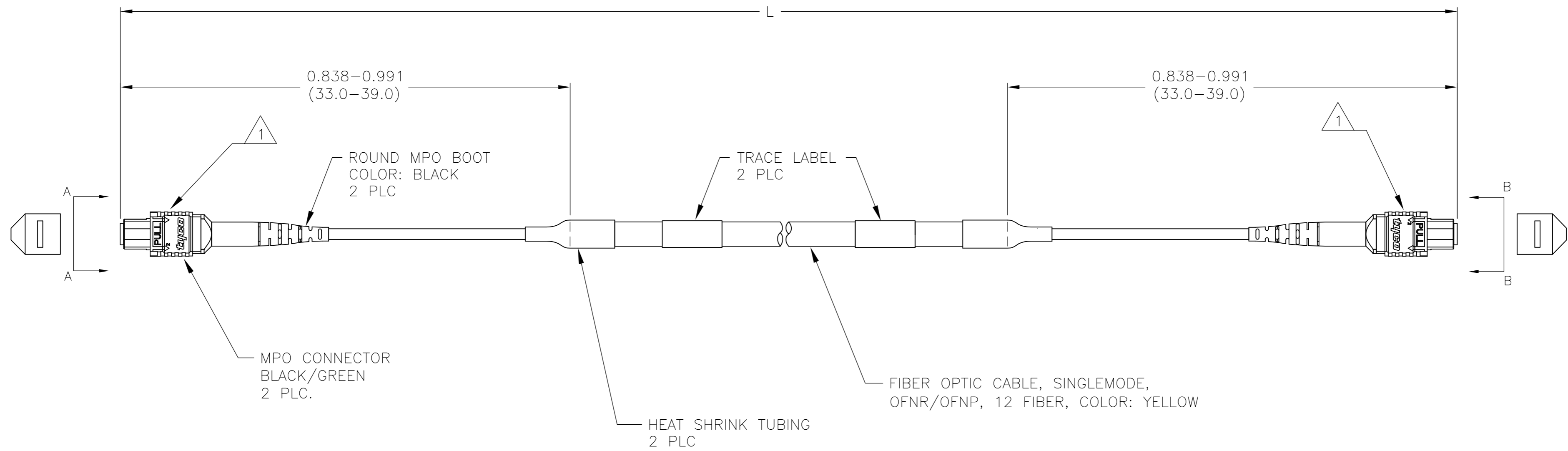
Email & Skype: info@chipsmall.com Web: www.chipsmall.com

Address: A1208, Overseas Decoration Building, #122 Zhenhua RD., Futian, Shenzhen, China

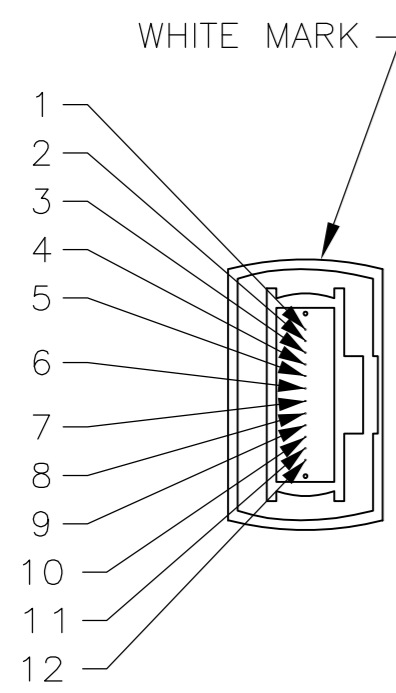


THIS DRAWING IS UNPUBLISHED. RELEASED FOR PUBLICATION  
 © COPYRIGHT - By - ALL RIGHTS RESERVED.

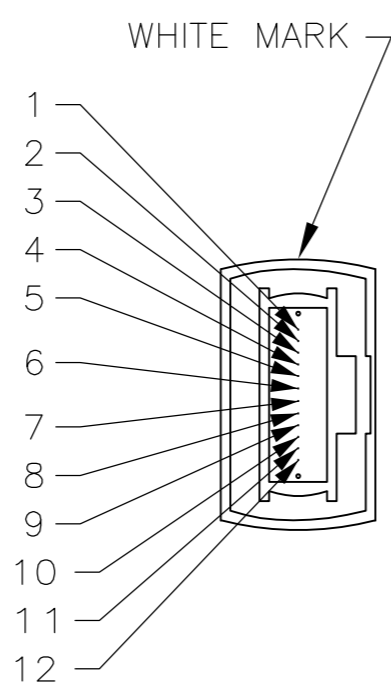
LOC		DIST		REVISIONS			
P	LTR	DESCRIPTION		DATE	DWN	APVD	
HP	00	B		REVISE PER ECO-12-006077	28MAR12	JS JS	



PAIRS FLIPPED FIBER PATH



FIBER #	COLOR
1	BLUE
2	ORANGE
3	GREEN
4	BROWN
5	SLATE
6	WHITE
7	RED
8	BLACK
9	YELLOW
10	VIOLET
11	ROSE
12	AQUA



FIBER #	COLOR
1	ORANGE
2	BLUE
3	BROWN
4	GREEN
5	WHITE
6	SLATE
7	BLACK
8	RED
9	VIOLET
10	YELLOW
11	AQUA
12	ROSE

VIEW A-A  
NOT TO SCALE

VIEW B-B  
NOT TO SCALE

THIS DRAWING IS A CONTROLLED DOCUMENT.		DWN	JOE DAVIS	07JUN2008		TE Connectivity																				
DIMENSIONS: mm		CHK	JOE DAVIS	07JUN2008		NAME																				
TOLERANCES UNLESS OTHERWISE SPECIFIED:		APVD	JOE DAVIS	07JUN2008		CABLE ASSEMBLY, FIBER OPTIC, SINGLEMODE, 12 FIBER, OFNR/OFNP, PAIRS FLIPPED, MPO TO MPO																				
<table border="1"> <tr><td>0 PLC</td><td>±</td><td>-</td></tr> <tr><td>1 PLC</td><td>±</td><td>-</td></tr> <tr><td>2 PLC</td><td>±</td><td>-</td></tr> <tr><td>3 PLC</td><td>±</td><td>-</td></tr> <tr><td>4 PLC</td><td>±</td><td>-</td></tr> <tr><td>ANGLES</td><td>±</td><td>-</td></tr> </table>		0 PLC	±	-		1 PLC	±	-	2 PLC	±	-	3 PLC	±	-	4 PLC	±	-	ANGLES	±	-	PRODUCT SPEC	-		SIZE	CAGE CODE	DRAWING NO
0 PLC	±	-																								
1 PLC	±	-																								
2 PLC	±	-																								
3 PLC	±	-																								
4 PLC	±	-																								
ANGLES	±	-																								
MATERIAL	FINISH	WEIGHT	-		A2	00779	C=6435070	-																		
CUSTOMER DRAWING					SCALE	NTS	SHEET	1 OF 4	REV	B																

THIS DRAWING IS UNPUBLISHED. RELEASED FOR PUBLICATION  
 © COPYRIGHT - By - ALL RIGHTS RESERVED.

LOC	DIST	REVISIONS					
HP	00	P	LTR	DESCRIPTION	DATE	DWN	APVD
		-		SEE SHEET 1	-	-	-

PART NUMBER	L (METERS)	L (FEET)	MPO (NO PINS)@1310nm BLACK/GREEN		MPO (NO PINS)@1550nm BLACK/GREEN	
			IL (dB)	RL (dB)	IL (dB)	RL (dB)
6435070-1	3.048-3.353	10.00-11.00	0.70	45	0.70	45
6435070-2	6.096-6.706	20.00-22.00	0.70	45	0.70	45
6435070-3	9.144-9.754	30.00-32.00	0.70	45	0.70	45
6435070-4	12.192-12.802	40.00-42.00	0.70	45	0.70	45
6435070-5	15.240-15.850	50.00-52.00	0.71	45	0.70	45
6435070-6	18.288-18.898	60.00-62.00	0.71	45	0.71	45
6435070-7	21.336-21.946	70.00-72.00	0.71	45	0.71	45
6435070-8	24.384-24.994	80.00-82.00	0.71	45	0.71	45
6435070-9	27.432-28.042	90.00-92.00	0.71	45	0.71	45
1-6435070-0	30.480-31.394	100.00-103.00	0.71	45	0.71	45
1-6435070-1	33.528-34.442	110.00-113.00	0.71	45	0.71	45
1-6435070-2	36.576-37.490	120.00-123.00	0.71	45	0.71	45
1-6435070-3	39.624-40.538	130.00-133.00	0.72	45	0.71	45
1-6435070-4	42.672-43.586	140.00-143.00	0.72	45	0.71	45
1-6435070-5	45.720-46.634	150.00-153.00	0.72	45	0.71	45
1-6435070-6	48.768-49.682	160.00-163.00	0.72	45	0.71	45
1-6435070-7	51.816-52.730	170.00-173.00	0.72	45	0.72	45
1-6435070-8	54.864-55.778	180.00-183.00	0.72	45	0.72	45
1-6435070-9	57.912-58.826	190.00-193.00	0.72	45	0.72	45
2-6435070-0	60.960-62.179	200.00-204.00	0.72	45	0.72	45
2-6435070-1	64.008-65.227	210.00-214.00	0.73	45	0.72	45
2-6435070-2	67.056-68.275	220.00-224.00	0.73	45	0.72	45
2-6435070-3	70.104-71.323	230.00-234.00	0.73	45	0.72	45
2-6435070-4	73.152-74.371	240.00-244.00	0.73	45	0.72	45
2-6435070-5	76.200-77.419	250.00-254.00	0.73	45	0.72	45
2-6435070-6	79.248-80.467	260.00-264.00	0.73	45	0.72	45
2-6435070-7	82.296-83.515	270.00-274.00	0.73	45	0.72	45
2-6435070-8	85.344-86.563	280.00-284.00	0.73	45	0.73	45
2-6435070-9	88.392-89.611	290.00-294.00	0.74	45	0.73	45
3-6435070-0	91.440-93.269	300.00-306.00	0.74	45	0.73	45
3-6435070-1	94.488-96.378	310.00-316.20	0.74	45	0.73	45
3-6435070-2	97.536-99.487	320.00-326.40	0.74	45	0.73	45
3-6435070-3	100.584-102.596	330.00-336.60	0.74	45	0.73	45
3-6435070-4	103.632-105.705	340.00-346.80	0.74	45	0.73	45
3-6435070-5	106.680-108.814	350.00-357.00	0.74	45	0.73	45
3-6435070-6	109.728-111.923	360.00-367.20	0.74	45	0.73	45
3-6435070-7	112.776-115.032	370.00-377.40	0.75	45	0.73	45
3-6435070-8	115.824-118.140	380.00-387.60	0.75	45	0.73	45
3-6435070-9	118.872-121.249	390.00-397.80	0.75	45	0.74	45
4-6435070-0	121.920-124.358	400.00-408.00	0.75	45	0.74	45
4-6435070-1	124.968-127.467	410.00-418.20	0.75	45	0.74	45
4-6435070-2	128.016-130.576	420.00-428.40	0.75	45	0.74	45
4-6435070-3	131.064-133.685	430.00-438.60	0.75	45	0.74	45
4-6435070-4	134.112-136.794	440.00-448.80	0.75	45	0.74	45
4-6435070-5	137.160-139.903	450.00-459.00	0.75	45	0.74	45
4-6435070-6	140.208-143.012	460.00-469.20	0.76	45	0.74	45
4-6435070-7	143.256-146.121	470.00-479.40	0.76	45	0.74	45
4-6435070-8	146.304-149.230	480.00-489.60	0.76	45	0.74	45
4-6435070-9	149.352-152.339	490.00-499.80	0.76	45	0.74	45
5-6435070-0	152.400-155.448	500.00-510.00	0.76	45	0.75	45


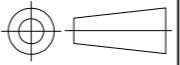
- 1. WHITE MARK ON CONNECTOR BODY INDICATES FIBER ONE SIDE.
- 2. PULLING SOCK IS INSTALLED OVER END ON OUTSIDE OF REEL ONLY. SEE SHEET 4 FOR DETAIL.
- 3. PROTECTIVE MPO HOUSING IS INSTALLED OVER ALL MPO CONNECTORS (DO NOT PULL ON PROTECTIVE COVER) SEE SHEET 4 FOR DETAIL.
- 4. CABLE ASSEMBLIES TESTED AT 1310nm AND 1550nm.
- 5. A COPY OF TEST DATA WILL BE PLACED INSIDE OR WITH THE UNIT PACKAGE.
- 6. PRODUCT AND PROCESSING MUST MEET REQUIREMENTS OF TE STANDARD TEC-138-702.
- 7. MAXIMUM CONNECTOR INSERTION LOSS IS 0.70dB PLUS CABLE LOSS OF 0.4dB/km WHEN TESTED AT 1310nm AND 0.3dB/km WHEN TESTED AT 1550nm.
- 8. MINIMUM CONNECTOR RETURN LOSS IS 45dB WHEN TESTED AT 1310nm OR 1550nm.

THIS DRAWING IS A CONTROLLED DOCUMENT.		DWN	JOE DAVIS	07JUN2008		TE Connectivity	
		CHK	JOE DAVIS	07JUN2008			
DIMENSIONS:		TOLERANCES UNLESS OTHERWISE SPECIFIED:		APVD	JOE DAVIS	07JUN2008	NAME
mm				PRODUCT SPEC		CABLE ASSEMBLY, FIBER OPTIC, SINGLEMODE, 12 FIBER, OFNR/OFNP, PAIRS FLIPPED, MPO TO MPO	
		0 PLC ± - 1 PLC ± - 2 PLC ± - 3 PLC ± - 4 PLC ± - ANGLES ± -		APPLICATION SPEC		SIZE	
MATERIAL		FINISH		WEIGHT		CAGE CODE	
				-		A2 00779	
				CUSTOMER DRAWING		DRAWING NO	
						RESTRICTED TO	
						SCALE	
						SHEET	
						REV	
						2 of 4	
						B	

THIS DRAWING IS UNPUBLISHED. RELEASED FOR PUBLICATION  
 © COPYRIGHT - By - ALL RIGHTS RESERVED.

LOC	DIST	REVISIONS					
		P	LTR	DESCRIPTION	DATE	DWN	APVD
HP	00	-	-	SEE SHEET 1	-	-	-

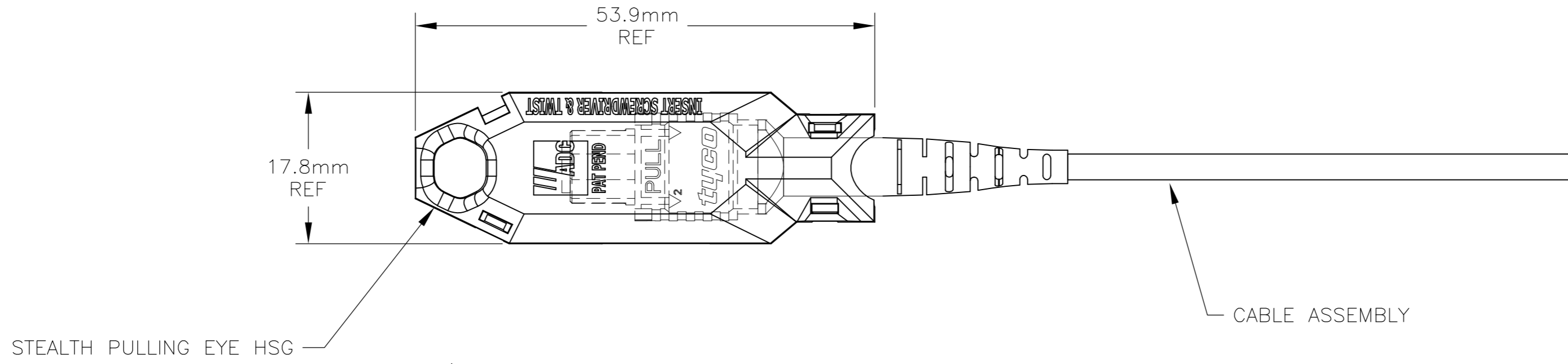
PART NUMBER	L (METERS)	L (FEET)	MPO (NO PINS)@1310nm BLACK/GREEN		MPO (NO PINS)@1550nm BLACK/GREEN	
			IL (dB)	RL (dB)	IL (dB)	RL (dB)
5-6435070-1	160.020-163.220	525.00-535.50	0.76	45	0.75	45
5-6435070-2	167.640-170.993	550.00-561.00	0.77	45	0.75	45
5-6435070-3	175.260-178.765	575.00-586.50	0.77	45	0.75	45
5-6435070-4	182.880-186.538	600.00-612.00	0.77	45	0.75	45
5-6435070-5	190.500-194.310	625.00-637.50	0.78	45	0.76	45
5-6435070-6	198.120-202.082	650.00-663.00	0.78	45	0.76	45
5-6435070-7	205.740-209.855	675.00-688.50	0.78	45	0.76	45
5-6435070-8	213.360-217.627	700.00-714.00	0.79	45	0.76	45
5-6435070-9	220.980-225.400	725.00-739.50	0.79	45	0.77	45
6-6435070-0	228.600-233.172	750.00-765.00	0.79	45	0.77	45
6-6435070-1	236.220-240.944	775.00-790.50	0.79	45	0.77	45
6-6435070-2	243.840-248.717	800.00-816.00	0.80	45	0.77	45
6-6435070-3	251.460-256.489	825.00-841.50	0.80	45	0.78	45
6-6435070-4	259.080-264.262	850.00-867.00	0.80	45	0.78	45
6-6435070-5	266.700-272.034	875.00-892.50	0.81	45	0.78	45
6-6435070-6	274.320-279.806	900.00-918.00	0.81	45	0.78	45
6-6435070-7	281.940-287.579	925.00-943.50	0.81	45	0.78	45
6-6435070-8	289.560-295.351	950.00-969.00	0.82	45	0.79	45
6-6435070-9	297.180-303.124	975.00-994.50	0.82	45	0.79	45
7-6435070-0	304.800-310.896	1000.00-1020.00	0.82	45	0.79	45
8-6435070-1	4.572-4.877	15.00-16.00	0.70	45	0.70	45
8-6435070-2	16.764-17.374	55.00-57.00	0.71	45	0.71	45
8-6435070-3	19.812-20.422	65.00-67.00	0.71	45	0.71	45
8-6435070-4	13.106-13.716	43.00-45.00	0.71	45	0.70	45
8-6435070-5	32.003-32.917	105.00-108.00	0.71	45	0.71	45
8-6435070-6	457.200-466.344	1500.00-1530.00	0.88	45	0.84	45

THIS DRAWING IS A CONTROLLED DOCUMENT.		DWN JOE DAVIS 07JUN2008	 TE Connectivity	
DIMENSIONS: mm		CHK JOE DAVIS 07JUN2008		
TOLERANCES UNLESS OTHERWISE SPECIFIED:		APVD JOE DAVIS 07JUN2008	NAME CABLE ASSEMBLY, FIBER OPTIC, SINGLEMODE, 12 FIBER, OFNR/OFNP, PAIRS FLIPPED, MPO TO MPO	
		PRODUCT SPEC -	SIZE A2	
MATERIAL -		APPLICATION SPEC -	CAGE CODE 00779	DRAWING NO C-6435070
FINISH -		WEIGHT -	RESTRICTED TO -	SCALE NTS
CUSTOMER DRAWING			SHEET 3 OF 4	REV B

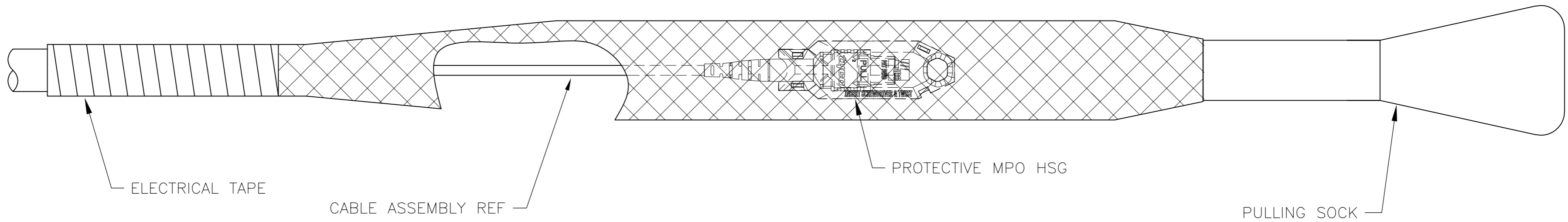
6435070

THIS DRAWING IS UNPUBLISHED. RELEASED FOR PUBLICATION  
 © COPYRIGHT - By - ALL RIGHTS RESERVED.

LOC	DIST	REVISIONS					
HP	00	P	LTR	DESCRIPTION	DATE	DWN	APVD
		-	-	SEE SHEET 1	-	-	-



△3 PROTECTIVE MPO HOUSING  
 ALL MPO CONNECTORS



△2 PULLING SOCK  
 OUTSIDE OF REEL ONLY

THIS DRAWING IS A CONTROLLED DOCUMENT.		DWN	JOE DAVIS	07JUN2008		TE Connectivity			
DIMENSIONS: mm		CHK	JOE DAVIS	07JUN2008		NAME			
		APVD	JOE DAVIS	07JUN2008		CABLE ASSEMBLY, FIBER OPTIC, SINGLEMODE, 12 FIBER, OFNR/OFNP, PAIRS FLIPPED, MPO TO MPO			
TOLERANCES UNLESS OTHERWISE SPECIFIED:		PRODUCT SPEC	APPLICATION SPEC			SIZE	CAGE CODE	DRAWING NO	RESTRICTED TO
0 PLC ± -		WEIGHT	-			A2	00779	C=6435070	-
1 PLC ± -		MATERIAL		FINISH		SCALE		SHEET	REV
2 PLC ± -		-		-		NTS		4 OF 4	B
3 PLC ± -		CUSTOMER DRAWING							
4 PLC ± -									
ANGLES ± -									
-									