



Chipsmall Limited consists of a professional team with an average of over 10 year of expertise in the distribution of electronic components. Based in Hongkong, we have already established firm and mutual-benefit business relationships with customers from,Europe,America and south Asia,supplying obsolete and hard-to-find components to meet their specific needs.

With the principle of “Quality Parts,Customers Priority,Honest Operation,and Considerate Service”,our business mainly focus on the distribution of electronic components. Line cards we deal with include Microchip,ALPS,ROHM,Xilinx,Pulse,ON,Everlight and Freescale. Main products comprise IC,Modules,Potentiometer,IC Socket,Relay,Connector.Our parts cover such applications as commercial,industrial, and automotives areas.

We are looking forward to setting up business relationship with you and hope to provide you with the best service and solution. Let us make a better world for our industry!



Contact us

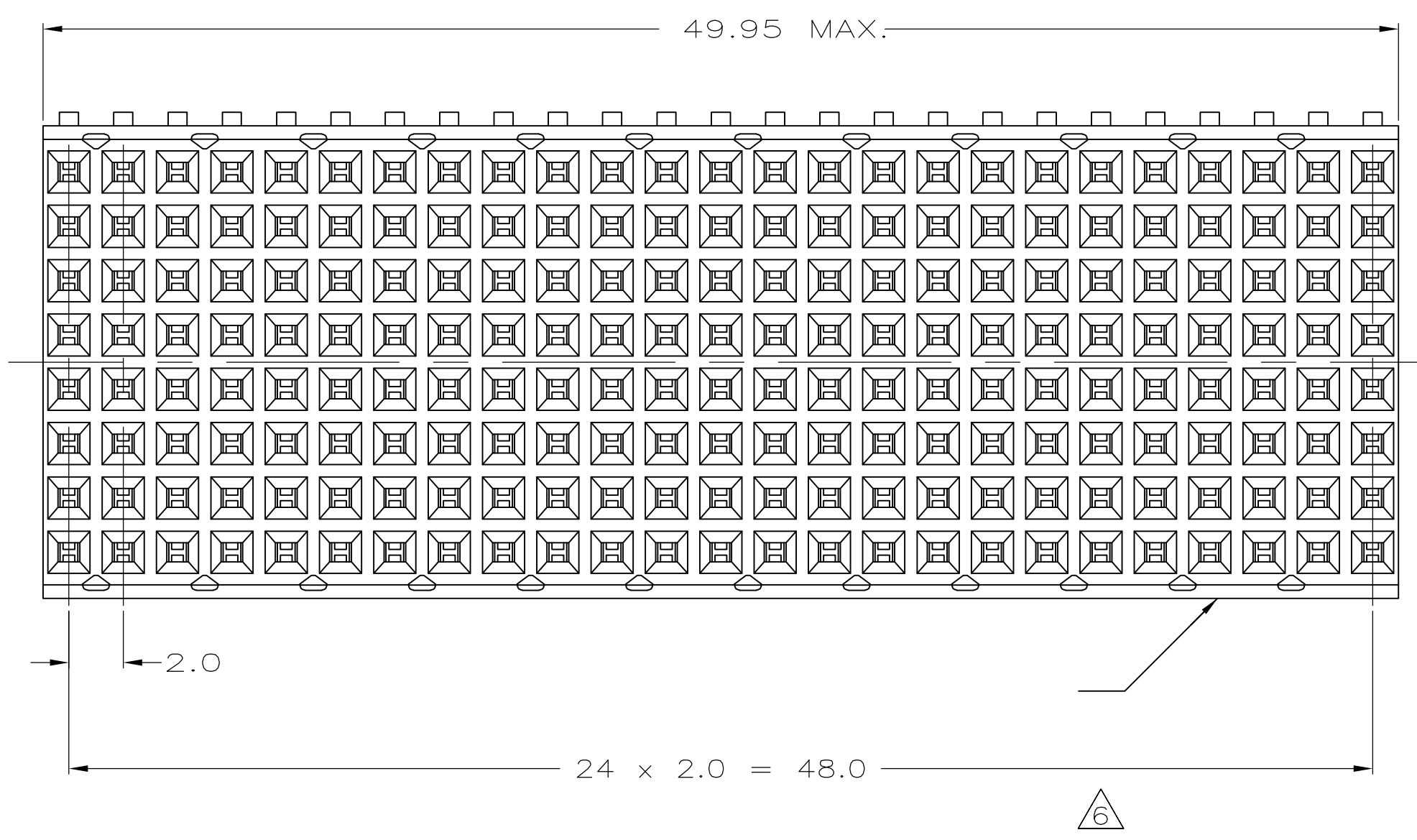
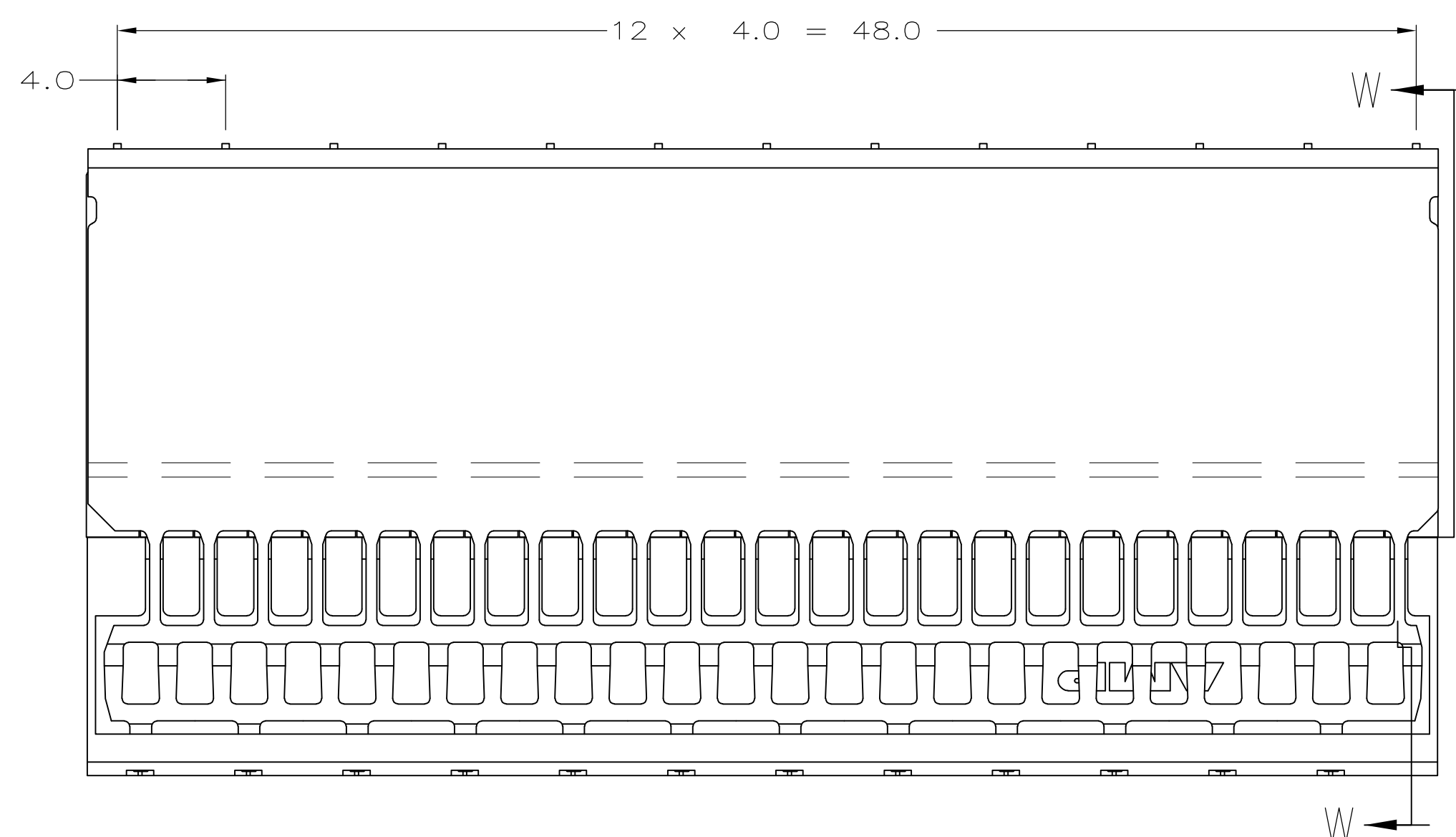
Tel: +86-755-8981 8866 Fax: +86-755-8427 6832

Email & Skype: info@chipsmall.com Web: www.chipsmall.com

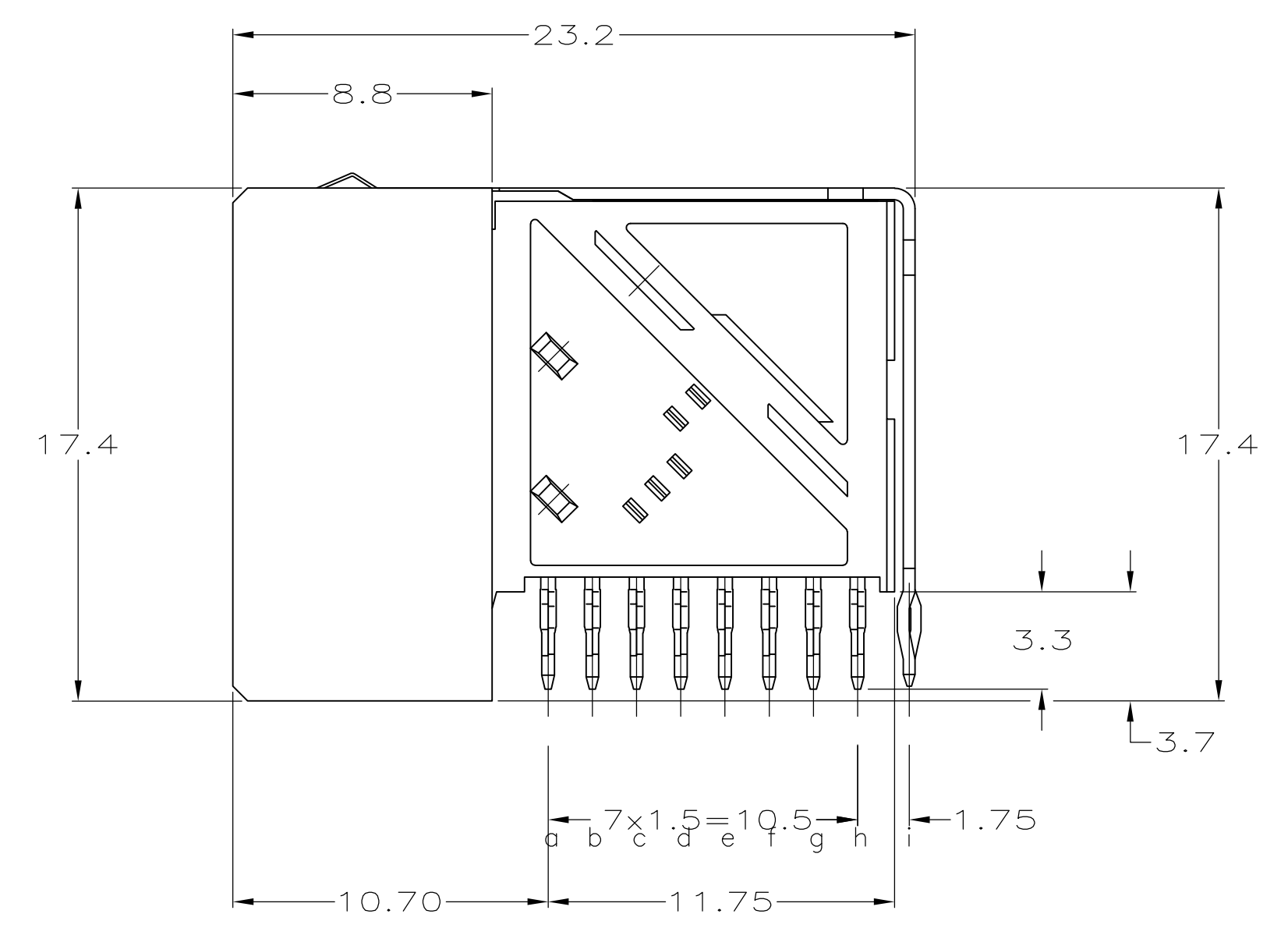
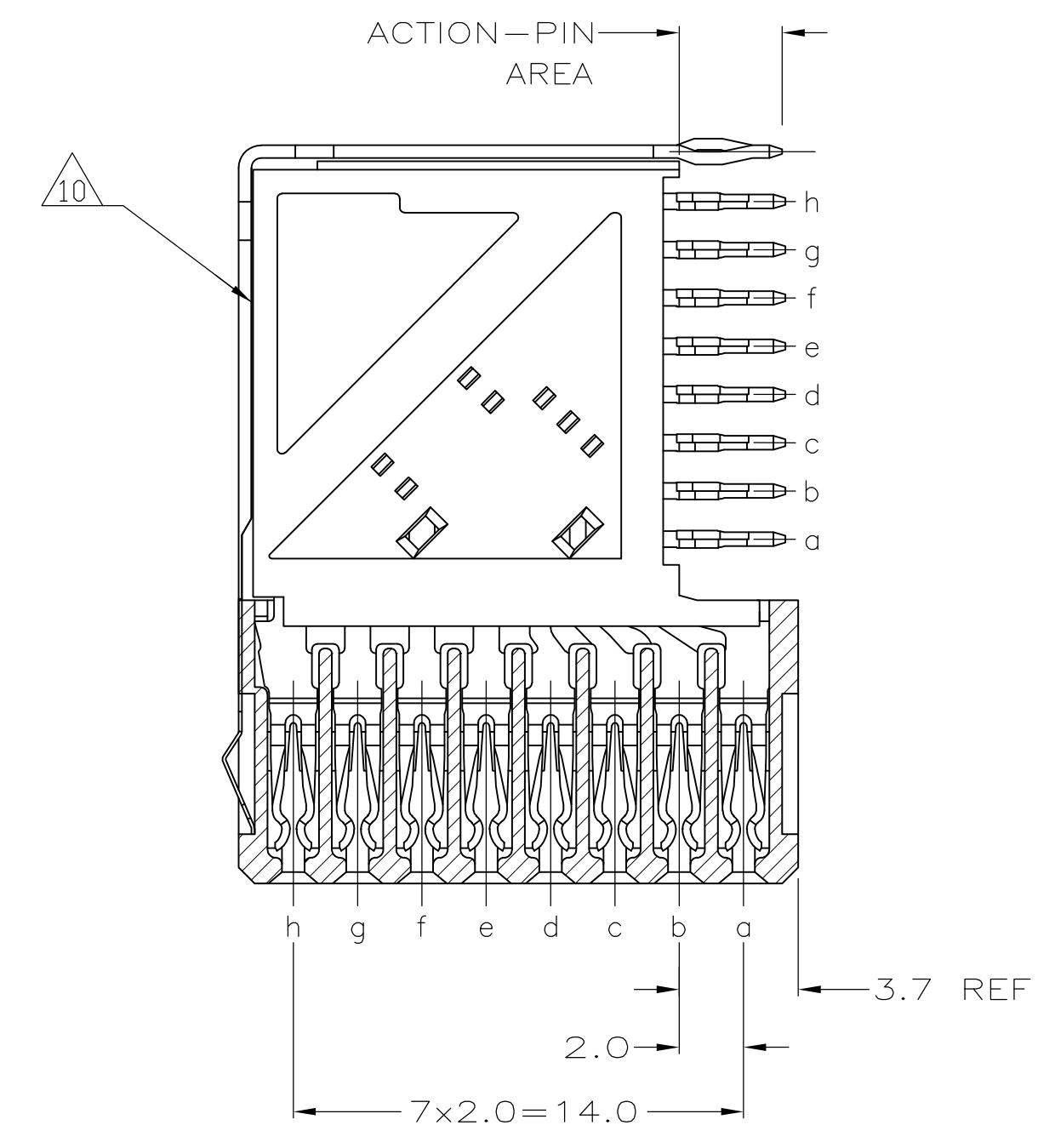
Address: A1208, Overseas Decoration Building, #122 Zhenhua RD., Futian, Shenzhen, China



LOC		DIST		REVISIONS			
P	LTR	DESCRIPTION	DATE	DMN	APVD		
E	4	REVISED PER ECO-10-001916	02FEB2010	JY	SY		
F		ECR-10-018652	10SEP10	JS	MQW		
G		ECO-11-024491	13DEC11	SY	MQW		
H		ECR-12-009867	05DEC12	SY	AC		

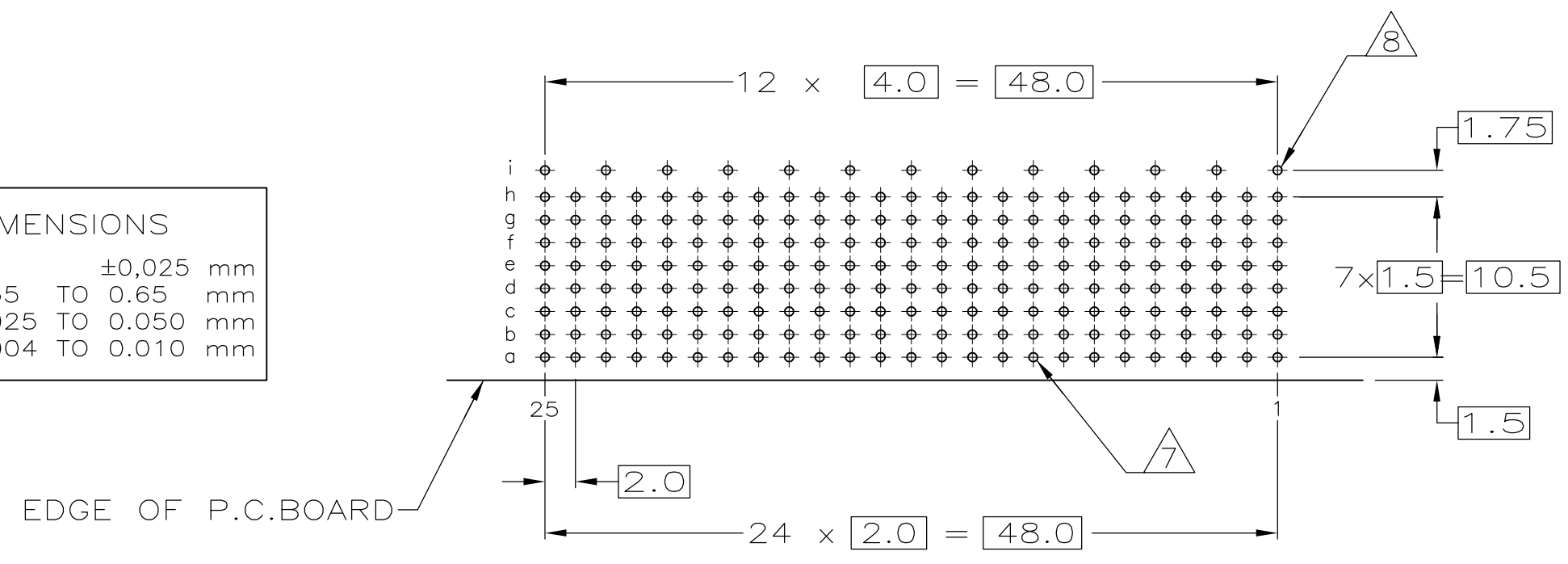


SECTION W-W



PCB HOLE DIMENSIONS

DRILLED HOLE	.7	±0.025 mm
FIN. HOLE	.55 TO .65	mm
Cu-thks	.025 TO .050	mm
SnPb-thks	.004 TO .010	mm



RECOMMENDED PCB HOLE LAYOUT
 COMPONENT SIDE
 SCALE 2.5:1

- 1 MATERIAL:
CONTACT: PHOSPHOR BRONZE.
HOUSING: GLASS-FILLED POLYESTER.
- 2 GENERAL PLATING SPECIFICATION: UNDERPLATING (ENTIRE CONTACT): 1.27µm MIN NICKEL AND ACTION PIN: 0.5µm MIN TIN/LEAD. FOR PLATING OF MATING SURFACES SEE APPLICABLE SPECIFICATION REFERENCE FOR EACH DASH NUMBER.
- 3 CONFORMS TO ALL TESTING ACCORDING TO IEC 61076-4-101 PERFORMANCE LEVEL 2.
- 4 CONFORMS TO ALL TESTING ACCORDING IEC 61076-4-101 PERFORMANCE LEVEL 1
- 5 CONNECTOR TESTED AND QUALIFIED AGAINST TELCORDIA GR-1217-CORE QUALITY LEVEL III, CENTRAL OFFICE APPLICATIONS.
- 6 CONNECTOR TESTED AND QUALIFIED AGAINST TELCORDIA GR-1217-CORE QUALITY LEVEL III, UNCONTROLLED ENVIRONMENT APPLICATIONS.
- 7 CONNECTOR MARKED WITH PART NUMBER AND DATE CODE. ADDITIONAL CHARACTERS OR MARKINGS, AS WELL AS THE LOCATION OF THE MARKINGS, MAY BE ADDED FOR TRACEABILITY BASED UPON MANUFACTURERS DISCRETION.
- 8 PLATED-THROUGH HOLES AT 2x1.5mm GRID
200 TOTAL HOLES.
- 9 ROW "i" 13 PLATED THROUGH HOLES FOR UPPERSHIELD.
- 10 CONNECTOR & SHIELD LUBRICATED WITH BELCORE APPROVED LUBRICANT, TECHNICAL REFERENCE: TR-NWT-001217 ISSUE 1, SEP 1992.

- 11 SHIELD MOUNTED ON CONNECTOR WITH DOUBLE SIDED ADHESIVE TAPE OR ADHESIVE.
- 12 OBSOLETE PARTS: OBSOLETE CIS STREAMLINING PER D.RENAUD/D.SINISI
- 13 0.76µm MIN GOLD PLATING AT MATING SURFACES.

	FINISH	PART NUMBER
12	OBSELETE	3-646487-0
OBSELETE	2 3 13 2 6 9	1-646487-9
OBSELETE	2 5 9	646487-9
OBSELETE	2 4	646487-4
OBSELETE	2 3	646487-1

THIS DRAWING IS A CONTROLLED DOCUMENT.

DIMENSIONS: mm	TOLERANCES UNLESS OTHERWISE SPECIFIED:	DIN B. CARDO 06DEC05	06DEC05	Tyco Electronics Corporation Harrisburg, PA 17105-3608
0-PLC ±	1-PLC ±0.1	06DEC05	06DEC05	
2-PLC ±	3-PLC ±	APVD G. SKIPPER	APVD G. SKIPPER	R/A RECEPTACLE ASSY, 200 POSN Z-PACK 2mm HM, TYPE E W/GROUND RETURN SHIELD
4-PLC ±	ANGLES	PRODUCT SPEC	PRODUCT SPEC	
MATERIAL 1	FINISH SEE TABLE	APPLICATION SPEC	APPLICATION SPEC	SIZE A1
		WEIGHT	WEIGHT	00779
		CUSTOMER DRAWING	CUSTOMER DRAWING	646487

SCALE 5:1 SHEET 1 OF 1 REV H