



Chipsmall Limited consists of a professional team with an average of over 10 year of expertise in the distribution of electronic components. Based in Hongkong, we have already established firm and mutual-benefit business relationships with customers from,Europe,America and south Asia,supplying obsolete and hard-to-find components to meet their specific needs.

With the principle of "Quality Parts,Customers Priority,Honest Operation,and Considerate Service",our business mainly focus on the distribution of electronic components. Line cards we deal with include Microchip,ALPS,ROHM,Xilinx,Pulse,ON,Everlight and Freescale. Main products comprise IC,Modules,Potentiometer,IC Socket,Relay,Connector.Our parts cover such applications as commercial,industrial, and automotives areas.

We are looking forward to setting up business relationship with you and hope to provide you with the best service and solution. Let us make a better world for our industry!



Contact us

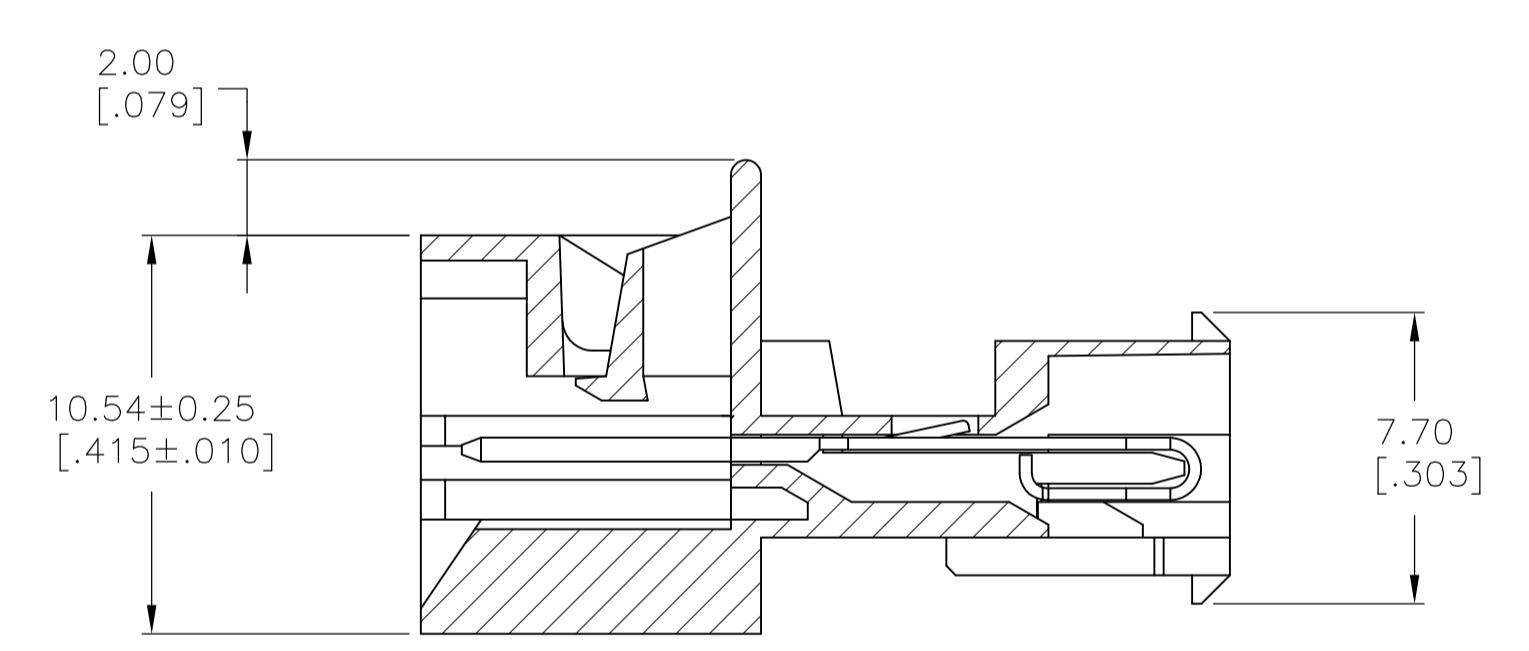
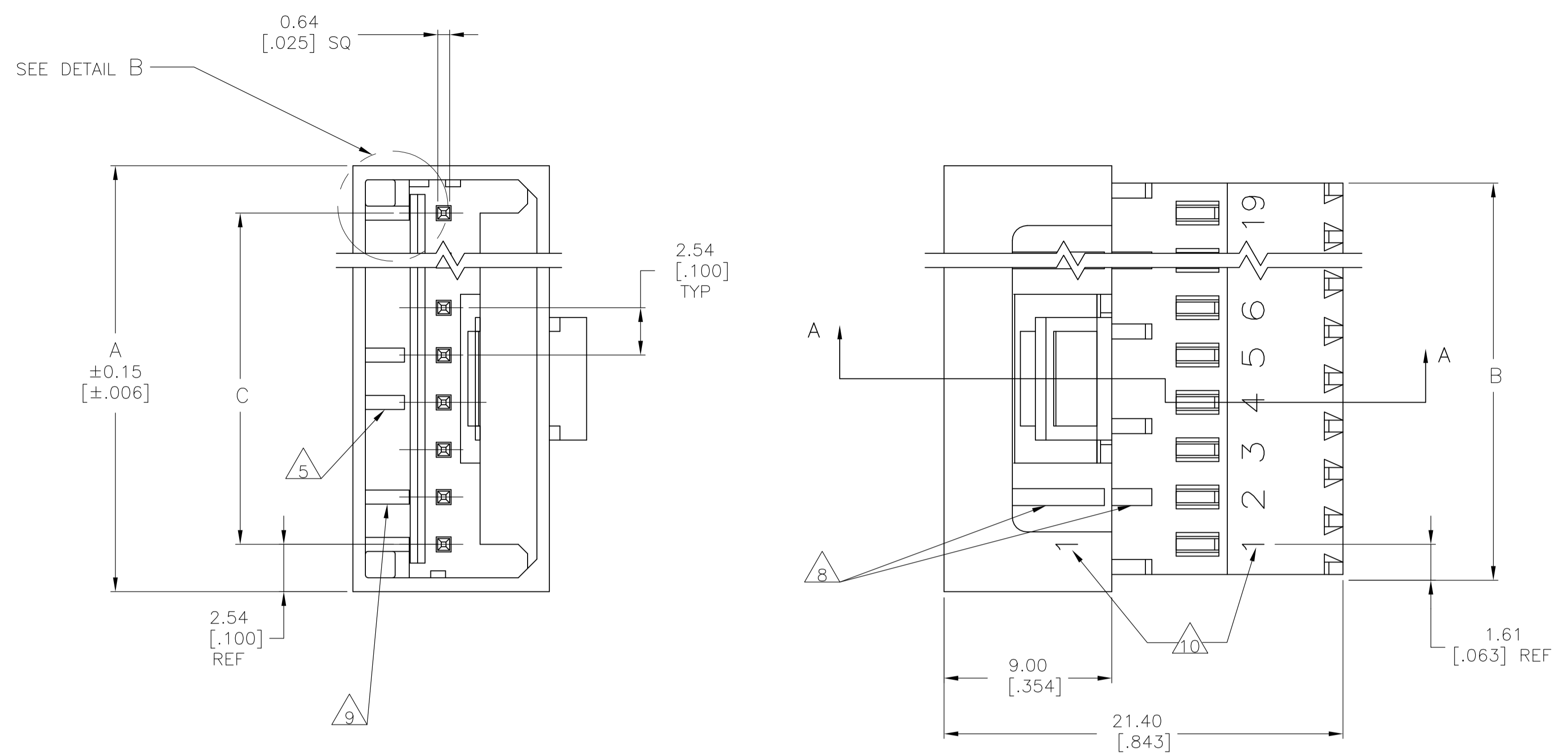
Tel: +86-755-8981 8866 Fax: +86-755-8427 6832

Email & Skype: info@chipsmall.com Web: www.chipsmall.com

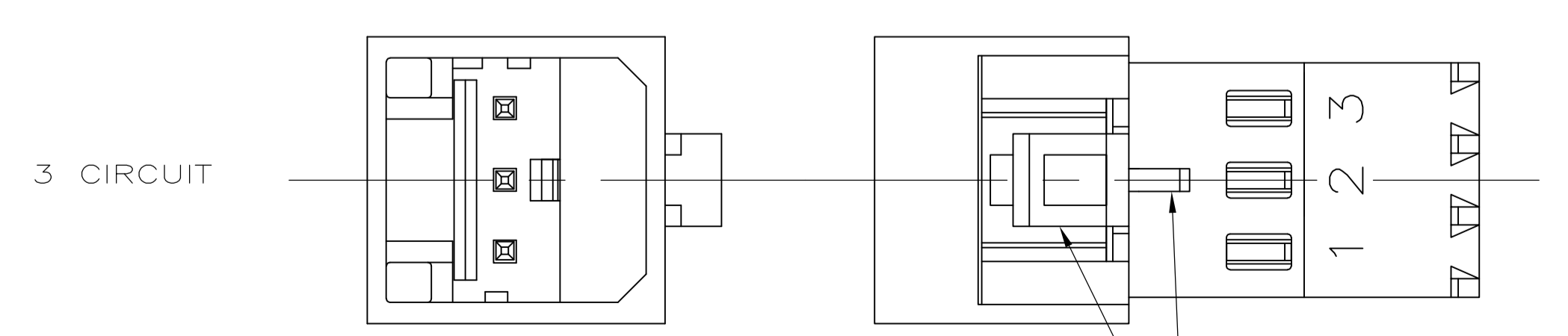
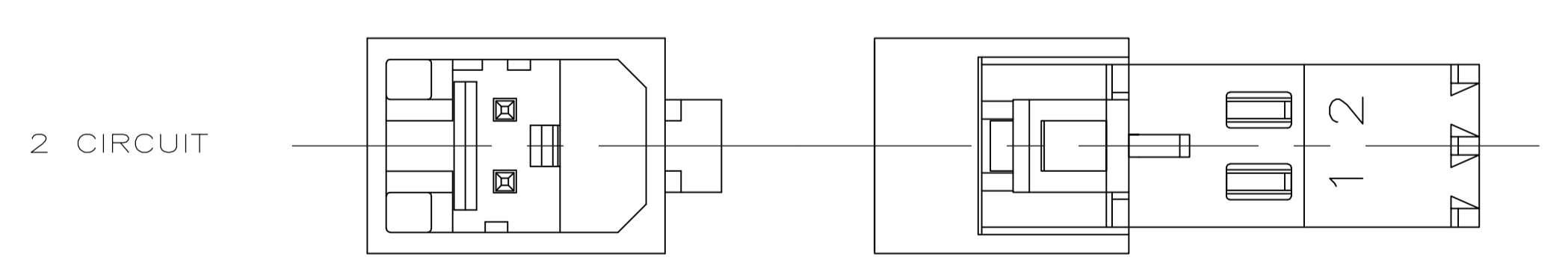
Address: A1208, Overseas Decoration Building, #122 Zhenhua RD., Futian, Shenzhen, China



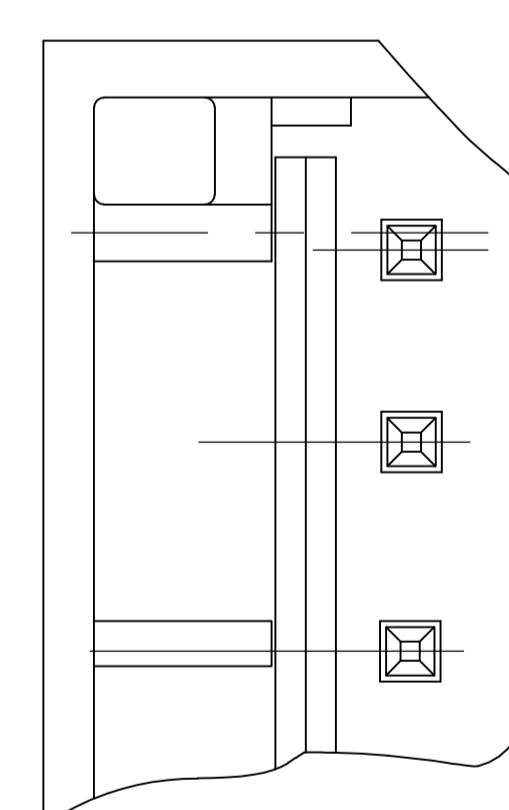
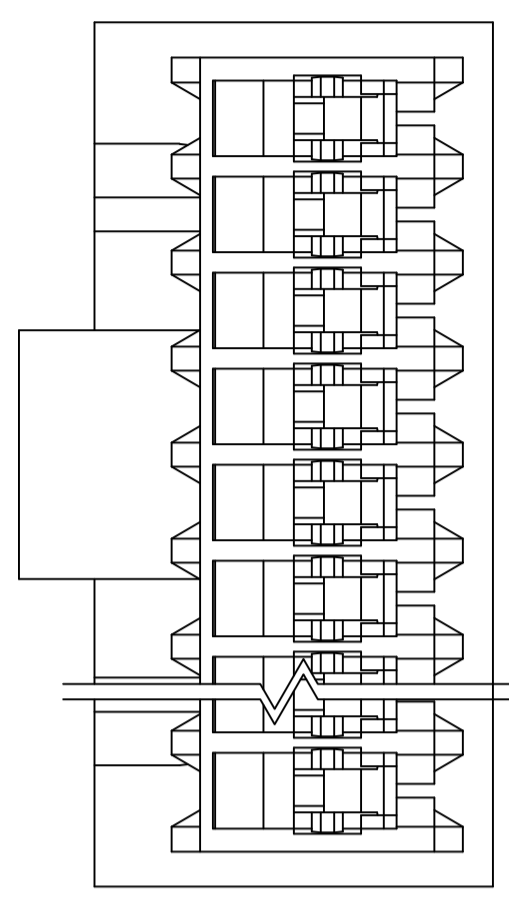
LOC		DIST		REVISIONS			
P	LTR	DATE	DMN	APVD			
E		REVISED PER ECO-12-007492	03AUG12	KH	SM		



SECTION A-A



DETAIL A 3



DETAIL B
SCALE 10:1
ALTERNATE CONFIGURATION

- 1 MATERIAL:
HOUSING- NYLON UL94V-2 .
CONTACTS- 0.30 [.012] THK COPPER ALLOY
PLATING : BRIGHT TIN-LEAD FOR 0.00203[.000080] MIN THK FOR 647002-2 THRU 1-647002-9 OR MATTE TIN 0.00203[.000080] MIN THK. FOR 3-647002-2 THRU 4-647002-9,
- 2 CONTACTS ACCEPT 26 AWG (0.12 - 0.15 mm²) TIN PLATED SOLID, CONCENTRIC FUSED STRANDED, OR CONCENTRIC STRANDED (7 STRANDS) WIRE WITH 1.52 [.060] MAX INSULATION DIAMETER.
- 3 MATES WITH STANDARD MTA-100 CONNECTORS: OF THE SAME CIRCUIT SIZES WITH SIMILARLY PLATED CONTACTS WITH POLARIZING TABS-CIRCUIT SIZES 4-19 ONLY WITHOUT POLARIZING TABS-CIRCUIT SIZES 2 & 3.

DOES NOT MATE WITH MTA-100 CONNECTORS: WITH POLARIZING TABS-CIRCUIT SIZES 2 & 3 ONLY. (SEE DETAIL A) WITH BLOCKED CIRCUITS -ALL CIRCUIT SIZES. NOT RECOMMENDED FOR MATING WITH MTA-100 CONNECTOR WITHOUT POLARIZING TABS. CIRCUIT SIZES 4-19.
- 4 ACCESSORIES:
REPLACEMENT IDC CONTACTS: 647032-1.
COVERS: SEE TABLE
- 5 QUANTITY OF CENTRALLY POSITIONED RAILS VARIES WITH CIRCUIT SIZE. (SEE TABLE) LOCATION MAY DIFFER FROM EXAMPLE SHOWN.
- 6 DIMENSIONS IN BRACKETS ARE IN INCHES.
- 7 SIMILAR SIZED LOCK AND SINGLE TAB USED OR CIRCUITS 4 & 5.
- 8 QUANTITY OF GUSSET RIBS VARIES WITH CIRCUIT SIZE (SEE TABLE). LOCATION MAY DIFFER FROM EXAMPLE SHOWN.
- 9 INNER END RAIL PAIR NOT PRESENT FOR CIRCUIT SIZES 2 OR 3.
- 10 CIRCUIT ID MAY APPEAR FULLY NUMBERED OR SHOWING LOCATION 1 ONLY DEPENDING ON CIRCUIT SIZE.
- 11 OBSOLETE PARTS: OBSOLETE CIS STREAMLINING PER D.RENAUD/D.SINISI
- 12 BLUE COLOR STRIPE ON HOUSING (NOT SHOWN) MAY RUN DOWN BETWEEN RIBS.



THIS DRAWING IS A CONTROLLED DOCUMENT.		DIN R. LEWIS 29--98	TE Connectivity
DIMENSIONS: mm [INCHES]		CHK R. SWING 29--98	
TOLERANCES UNLESS OTHERWISE SPECIFIED:		APVD J. ELLIS 29--98	NAME MTA-100 POSTED CONNECTOR ASSEMBLY, CLOSED END, 26 AWG
0 PLC ± -	1 PLC ± -	APPLICATION SPEC	SIZE A1
2 PLC ± 0.20 [.007]	3 PLC ± -	WEIGHT	CAGE CODE 00779
4 PLC ± -	ANGLES ± -	RESTRICTED TO	DRAWING NO 647002
MATERIAL 1	FINISH 1	CUSTOMER DRAWING	SCALE 5:1 SHEET 1 OF 2 REV E

QTY OF GUSSET RIBS	QTY OF CENTRAL RAILS	MM	IN	MM	IN	MM	IN	NO. OF CIRCUITS	PART NO
4	2	45.72	1.800	48.95	1.927	50.80	2.000	19	4-647002-9
4	2	43.18	1.700	46.41	1.827	48.26	1.900	18	4-647002-8
4	2	40.64	1.600	43.86	1.727	45.72	1.800	17	4-647002-7
4	2	38.10	1.500	41.32	1.627	43.18	1.700	16	4-647002-6
4	2	35.56	1.400	38.78	1.527	40.64	1.600	15	4-647002-5
4	2	33.02	1.300	36.24	1.427	38.10	1.500	14	4-647002-4
4	2	30.48	1.200	33.70	1.327	35.56	1.400	13	4-647002-3
2	1	27.94	1.100	31.16	1.227	33.02	1.300	12	4-647002-2
2	1	25.40	1.000	28.62	1.127	30.48	1.200	11	4-647002-1
2	1	22.86	.900	26.08	1.027	27.94	1.100	10	4-647002-0
2	1	20.32	.800	23.54	.927	25.40	1.000	9	3-647002-9
2	0	17.78	.700	21.00	.827	22.86	.900	8	3-647002-8
0	0	15.24	.600	18.46	.727	20.32	.800	7	3-647002-7
0	0	12.70	.500	15.92	.627	17.78	.700	6	3-647002-6
0	0	10.16	.400	13.38	.527	15.24	.600	5	3-647002-5
0	0	7.62	.300	10.84	.427	12.70	.500	4	3-647002-4
0	0	5.08	.200	8.30	.327	10.16	.400	3	3-647002-3
0	0	2.54	.100	5.76	.227	7.62	.300	2	3-647002-2
4	2	45.72	1.800	48.95	1.927	50.80	2.000	19	4-647002-9
4	2	43.18	1.700	46.41	1.827	48.26	1.900	18	4-647002-8
4	2	40.64	1.600	43.86	1.727	45.72	1.800	17	4-647002-7
4	2	38.10	1.500	41.32	1.627	43.18	1.700	16	4-647002-6
4	2	35.56	1.400	38.78	1.527	40.64	1.600	15	4-647002-5
4	2	33.02	1.300	36.24	1.427	38.10	1.500	14	4-647002-4
4	2	30.48	1.200	33.70	1.327	35.56	1.400	13	4-647002-3
2	1	27.94	1.100	31.16	1.227	33.02	1.300	12	4-647002-2
2	1	25.40	1.000	28.62	1.127	30.48	1.200	11	4-647002-1
2	1	22.86	.900	26.08	1.027	27.94	1.100	10	4-647002-0
2	1	20.32	.800	23.54	.927	25.40	1.000	9	4-647002-9
2	0	17.78	.700	21.00	.827	22.86	.900	8	4-647002-8
0	0	15.24	.600	18.46	.727	20.32	.800	7	4-647002-7
0	0	12.70	.500	15.92	.627	17.78	.700	6	4-647002-6
0	0	10.16	.400	13.38	.527	15.24	.600	5	4-647002-5
0	0	7.62	.300	10.84	.427	12.70	.500	4	647002-4
0	0	5.08	.200	8.30	.327	10.16	.400	3	647002-3
0	0	2.54	.100	5.76	.227	7.62	.300	2	4-647002-2
DUST COVER	STRAIN RELIEF COVERS								
ACCESSORIES									

△11 SUPERCEDED
 △11 SUPERCEDED
 △11 SUPERCEDED
 △11 SUPERCEDED
 △11 SUPERCEDED

THIS DRAWING IS A CONTROLLED DOCUMENT. DIN B LEWIS 29--98
 CJK R SWING 29--98
 J. ELLIS 29--98
 PRODUCT SPEC
 APPLICATION SPEC
 WEIGHT --
 CUSTOMER DRAWING

MTA-100 POSTED CONNECTOR ASSEMBLY, CLOSED END, 26 AWG
 SIZE A1 CAGE CODE 00779 DRAWING NO. 647002
 SCALE 5:1 SHEET 2 OF 2 REV E

STE TE Connectivity

