



Chipsmall Limited consists of a professional team with an average of over 10 year of expertise in the distribution of electronic components. Based in Hongkong, we have already established firm and mutual-benefit business relationships with customers from,Europe,America and south Asia,supplying obsolete and hard-to-find components to meet their specific needs.

With the principle of "Quality Parts,Customers Priority,Honest Operation,and Considerate Service",our business mainly focus on the distribution of electronic components. Line cards we deal with include Microchip,ALPS,ROHM,Xilinx,Pulse,ON,Everlight and Freescale. Main products comprise IC,Modules,Potentiometer,IC Socket,Relay,Connector.Our parts cover such applications as commercial,industrial, and automotives areas.

We are looking forward to setting up business relationship with you and hope to provide you with the best service and solution. Let us make a better world for our industry!



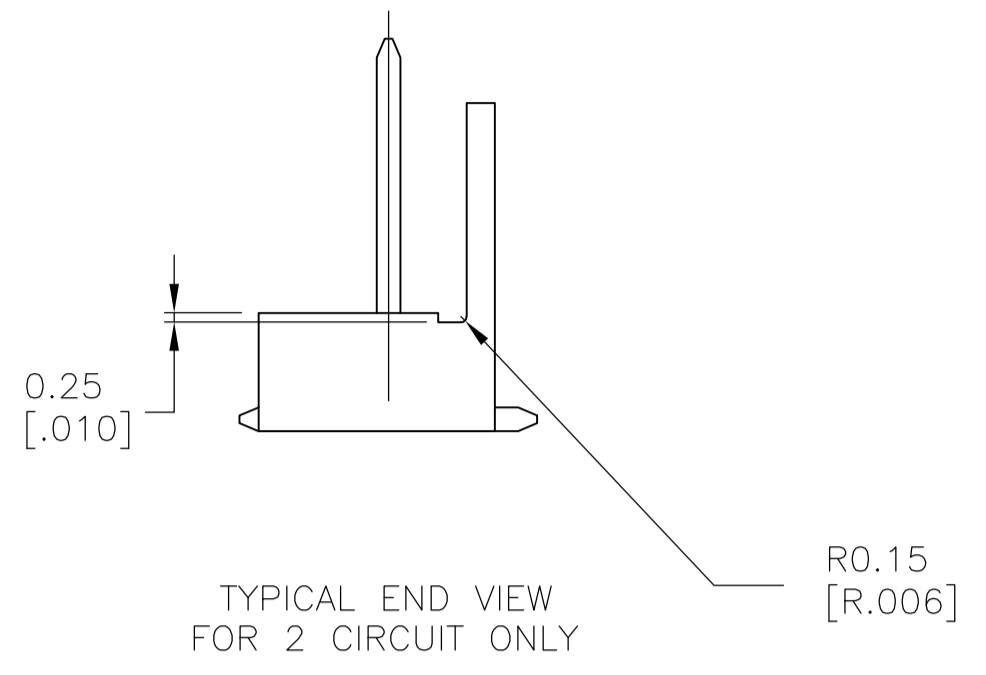
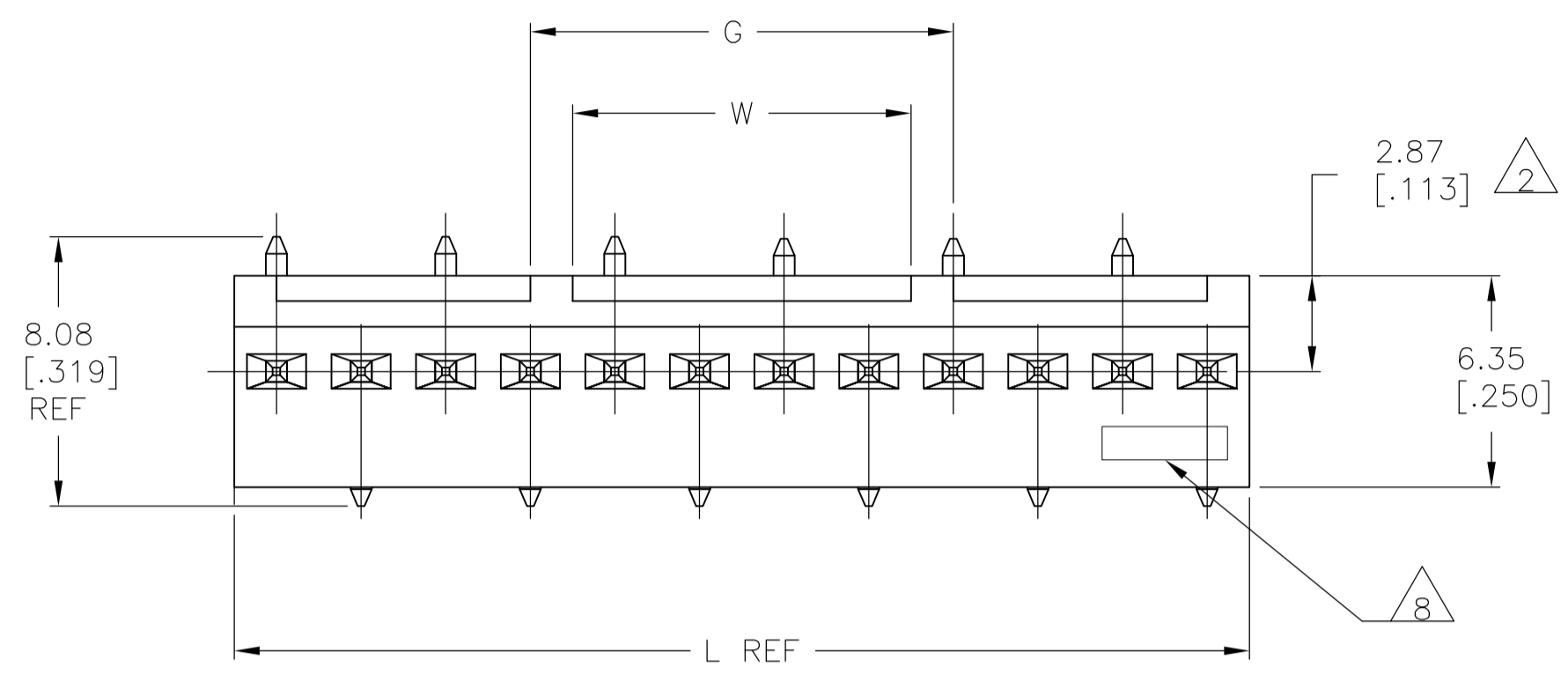
Contact us

Tel: +86-755-8981 8866 Fax: +86-755-8427 6832

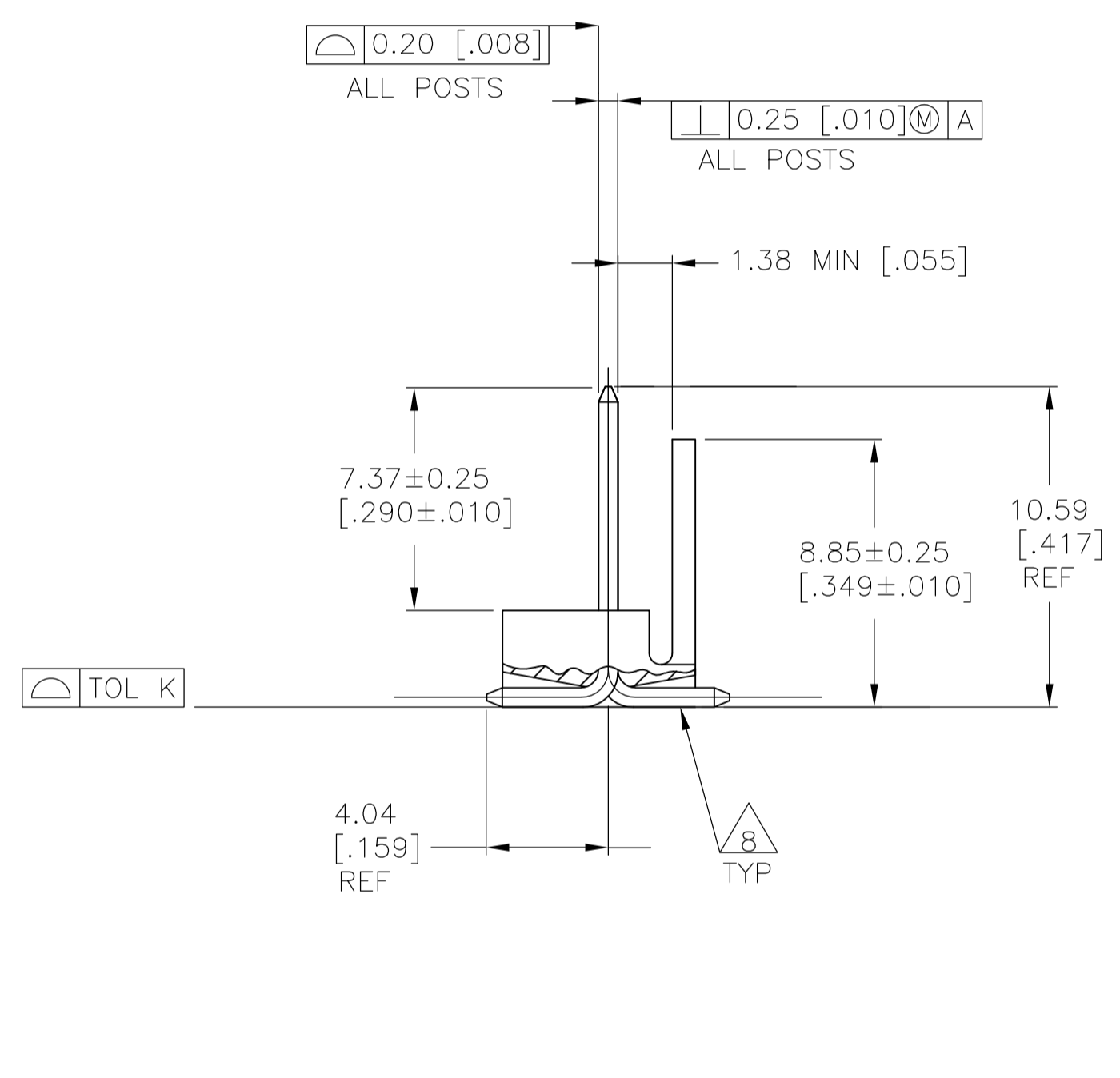
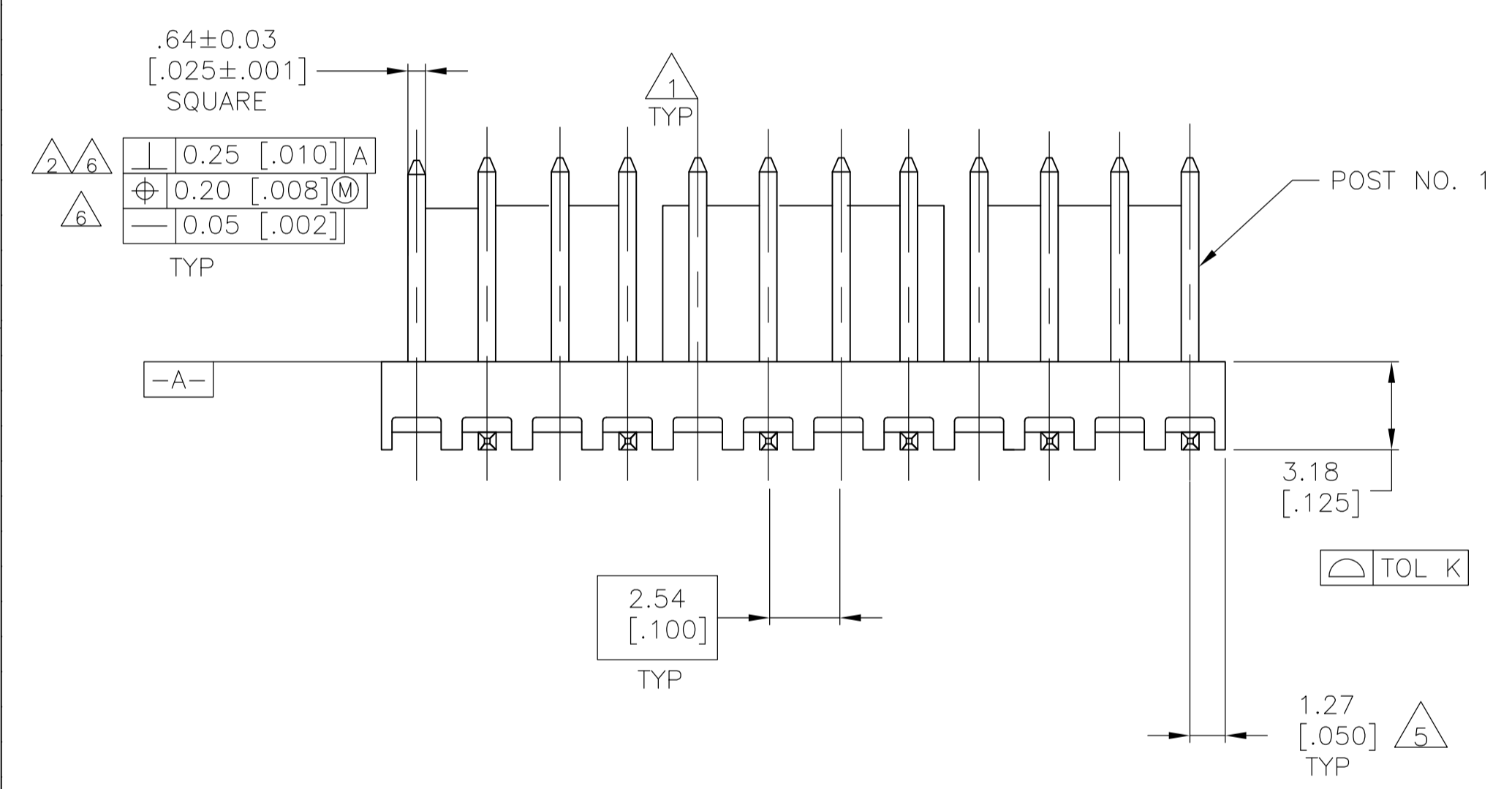
Email & Skype: info@chipsmall.com Web: www.chipsmall.com

Address: A1208, Overseas Decoration Building, #122 Zhenhua RD., Futian, Shenzhen, China

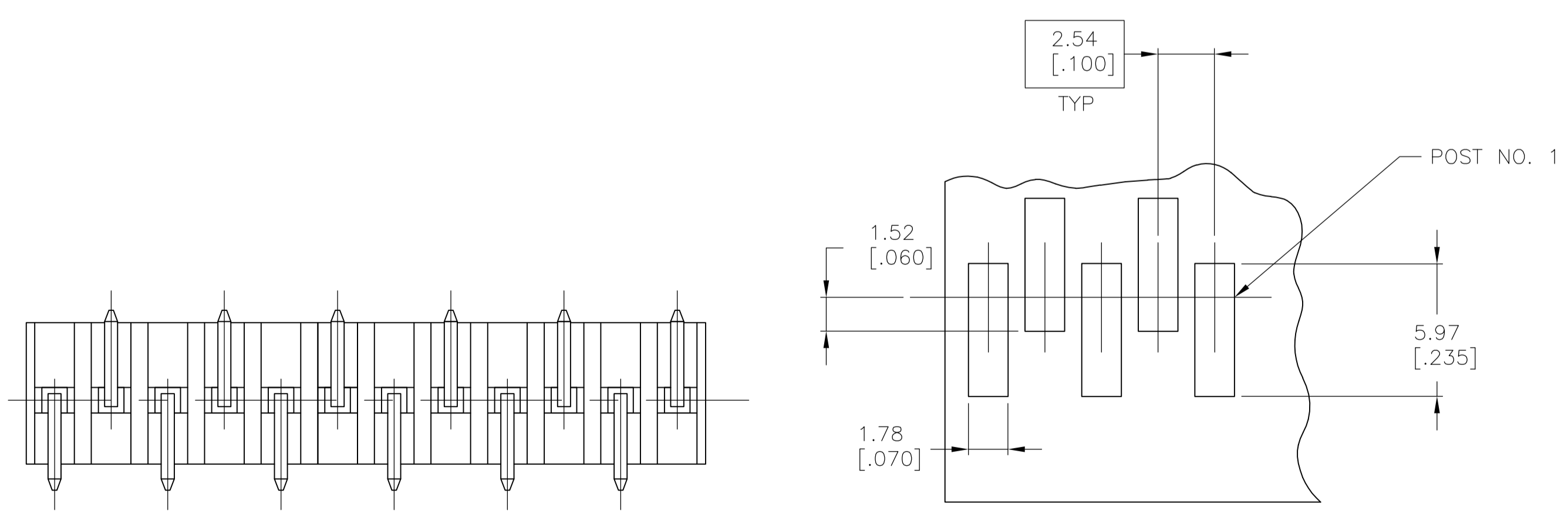




- 1. POST TO WITHSTAND 13 NEWTONS (3 LBS) MIN. AXIAL FORCE IN DIRECTION SHOWN WITHOUT DISLODGING.
- 2. MEASURED AT SURFACE \square -A-
- 3. PARTS COMPLY WITH AMP SOLDERABILITY SPEC. NO. 109-11-2.
- 4. HOUSING: NYLON 4/6, HIGH TEMP, BLACK
POST -2 THRU -18: COPPER ALLOY, TIN-LEAD (93/7) PLATING
POST -32 THRU -48: COPPER ALLOY TIN PLATE
- 5. COORDINATE DIMENSION APPLIES FROM CENTER OF ACTUAL FEATURE.
- 6. POSTS TO BE MEASURED WHEN STRIP IS HELD FLAT.
- 7. DIMENSIONS IN BRACKETS ARE IN INCHES.
- 8. TE LOGO AND UL AND CSA TRADEMARKS TO APPEAR ON THIS SURFACE.
- 9. OBSOLETE PARTS: OBSOLETE CIS STREAMLINING PER D.RENAUD/D.SINISI



0.15	.006	10.16	.400	12.70	.500	30.48	1.200	12	4-647106-2
0.15	.006	-	-	10.16	.400	27.94	1.100	11	4-647106-1
0.15	.006	-	-	7.62	.300	25.40	1.000	10	4-647106-0
0.15	.006	-	-	5.08	.200	22.86	.900	9	3-647106-9
0.15	.006	-	-	2.54	.100	20.32	.800	8	3-647106-8
0.15	.006	-	-	-	-	17.78	.700	7	3-647106-7
0.15	.006	-	-	-	-	15.24	.600	6	3-647106-6
0.15	.006	-	-	-	-	12.70	.500	5	3-647106-5
0.15	.006	-	-	-	-	10.16	.400	4	3-647106-4
0.15	.006	-	-	-	-	7.62	.300	3	3-647106-3
0.15	.006	-	-	-	-	5.08	.200	2	3-647106-2



- 9 SUPERCEDED BY 4-647106-2
- 9 SUPERCEDED BY 4-647106-1
- 9 SUPERCEDED BY 4-647106-0
- 9 SUPERCEDED BY 3-647106-9
- 9 SUPERCEDED BY 3-647106-8
- 9 SUPERCEDED BY 3-647106-7

MM	[IN]	MM	[IN]	MM	[IN]	MM	[IN]	NO OF POSITIONS	PART NUMBER
TOL K		W		G		L			

RECOMMENDED P.C BOARD LAYOUT FOR USE WITH 0.25 [.010] THICK STENCIL

THIS DRAWING IS A CONTROLLED DOCUMENT.

DIMENSIONS: mm [INCHES]

TOLERANCES UNLESS OTHERWISE SPECIFIED:

0. PLC ±
1. PLC ±
2. PLC ±
3. PLC ± 0.13 [.005]
4. PLC ±
ANGLES ± 0°30'

MATERIAL: 4 FINISH: 4

APPROVED: D. ROSSI

DATE: 25-FEB-2003

NAME: MTA-100 HEADER ASSEMBLY, SURFACE MOUNT, POLARIZED, STRAIGHT .025 SQUARE POST, TIN OR TIN-LEAD PLATED

SIZE: A1

SCALE: 5:1

SHEET: 1 OF 1

REV: M