



Chipsmall Limited consists of a professional team with an average of over 10 year of expertise in the distribution of electronic components. Based in Hongkong, we have already established firm and mutual-benefit business relationships with customers from,Europe,America and south Asia,supplying obsolete and hard-to-find components to meet their specific needs.

With the principle of “Quality Parts,Customers Priority,Honest Operation,and Considerate Service”,our business mainly focus on the distribution of electronic components. Line cards we deal with include Microchip,ALPS,ROHM,Xilinx,Pulse,ON,Everlight and Freescale. Main products comprise IC,Modules,Potentiometer,IC Socket,Relay,Connector.Our parts cover such applications as commercial,industrial, and automotives areas.

We are looking forward to setting up business relationship with you and hope to provide you with the best service and solution. Let us make a better world for our industry!



Contact us

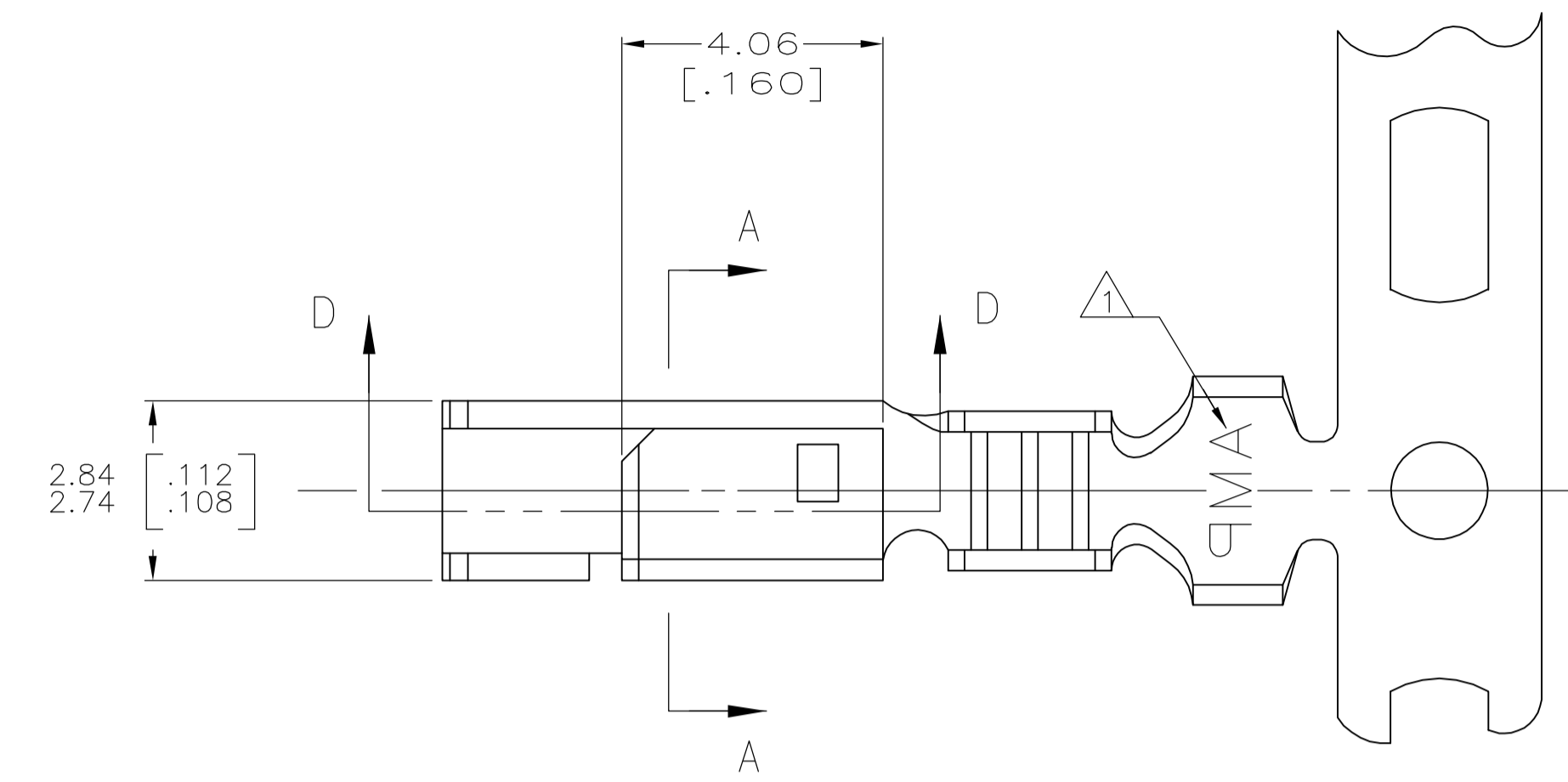
Tel: +86-755-8981 8866 Fax: +86-755-8427 6832

Email & Skype: info@chipsmall.com Web: www.chipsmall.com

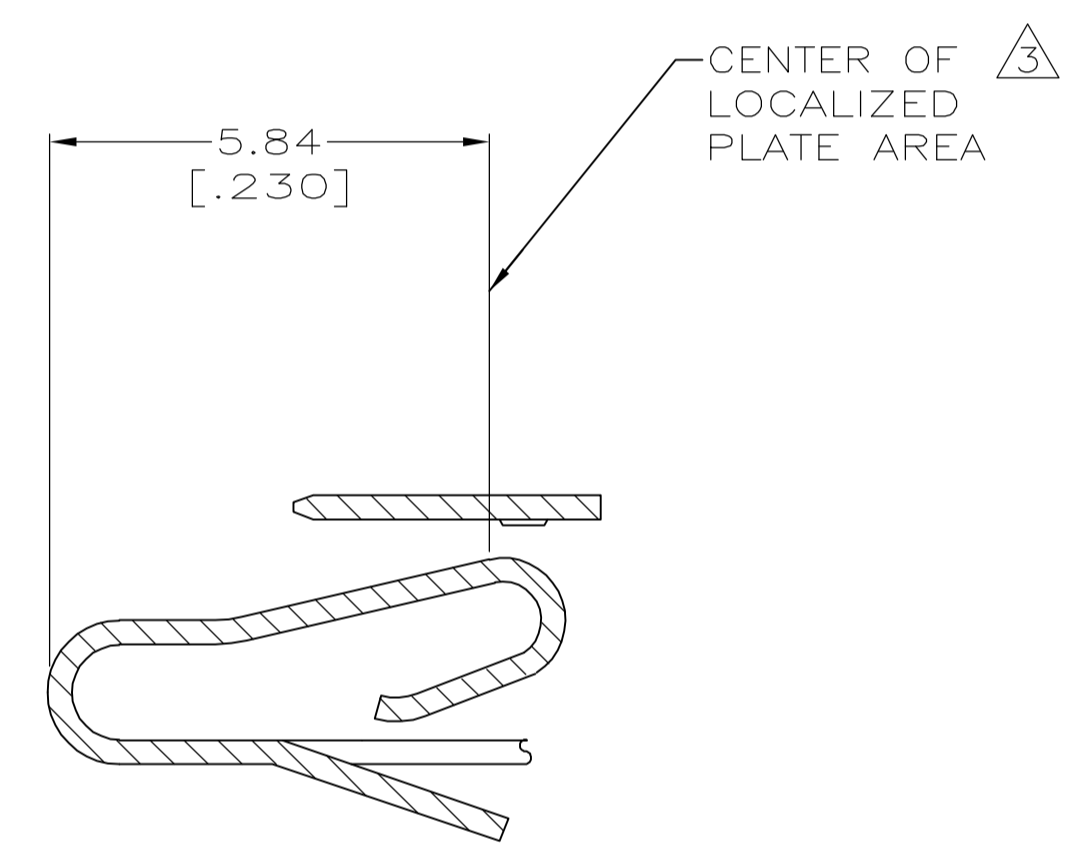
Address: A1208, Overseas Decoration Building, #122 Zhenhua RD., Futian, Shenzhen, China



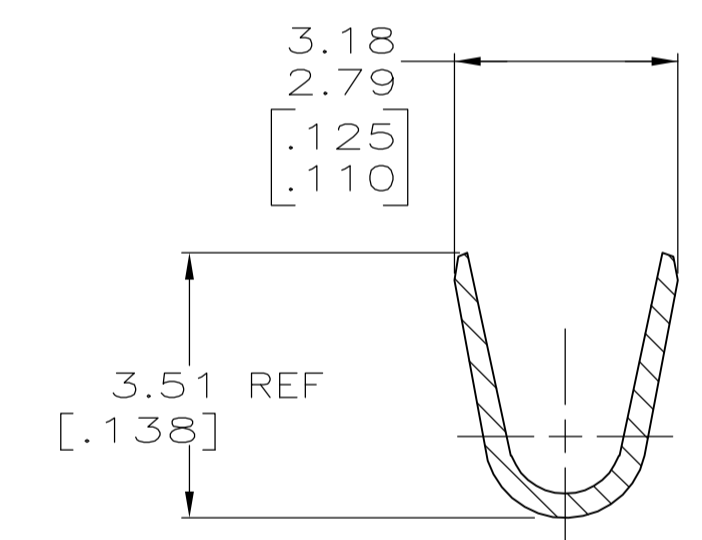
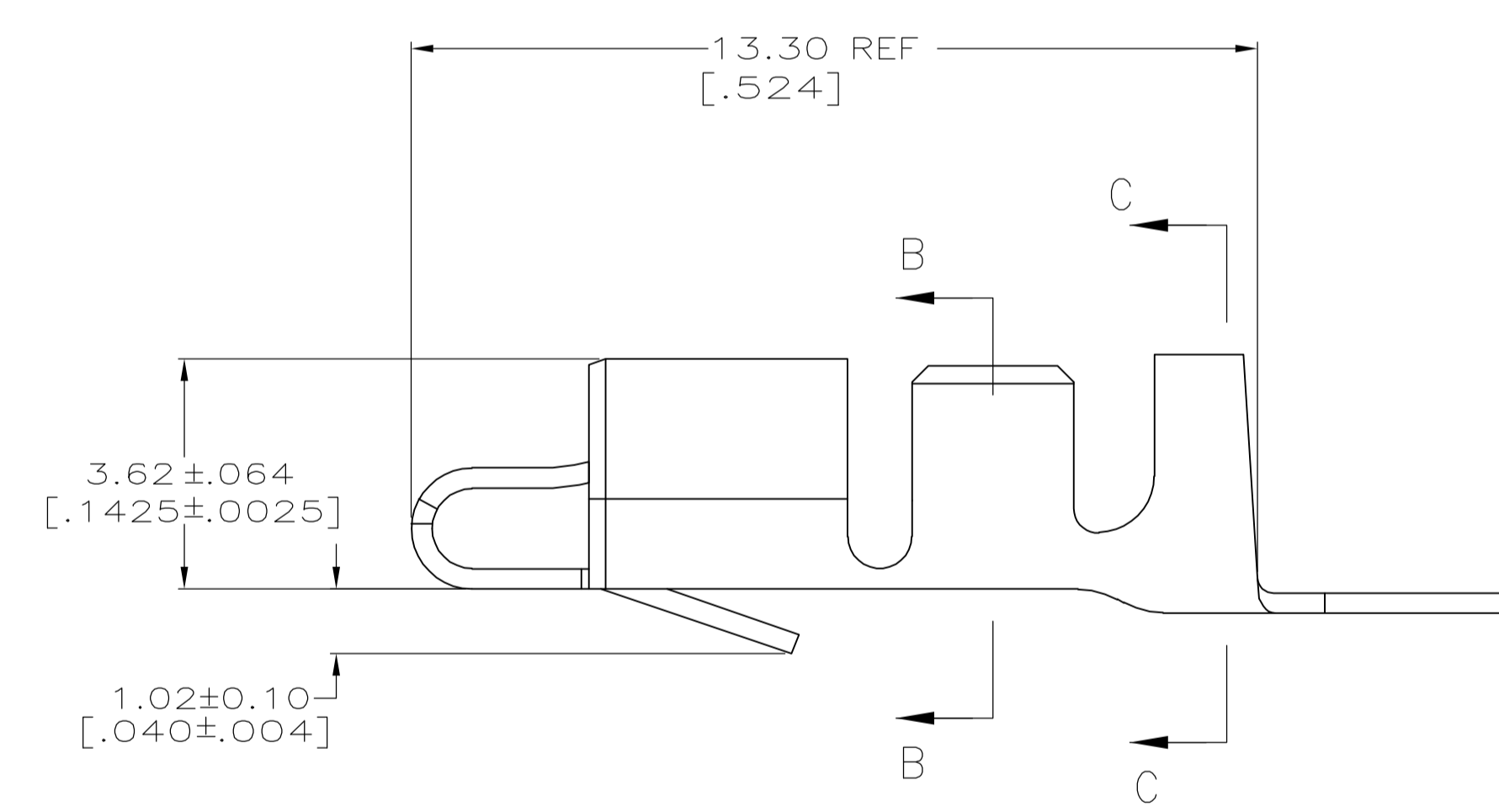
LOC		DIST		REVISIONS			
P	LTR	DESCRIPTION	DATE	OWN	APVD		
C		REVISED PER 063B-1213-04	9/9/05	SS	JE		



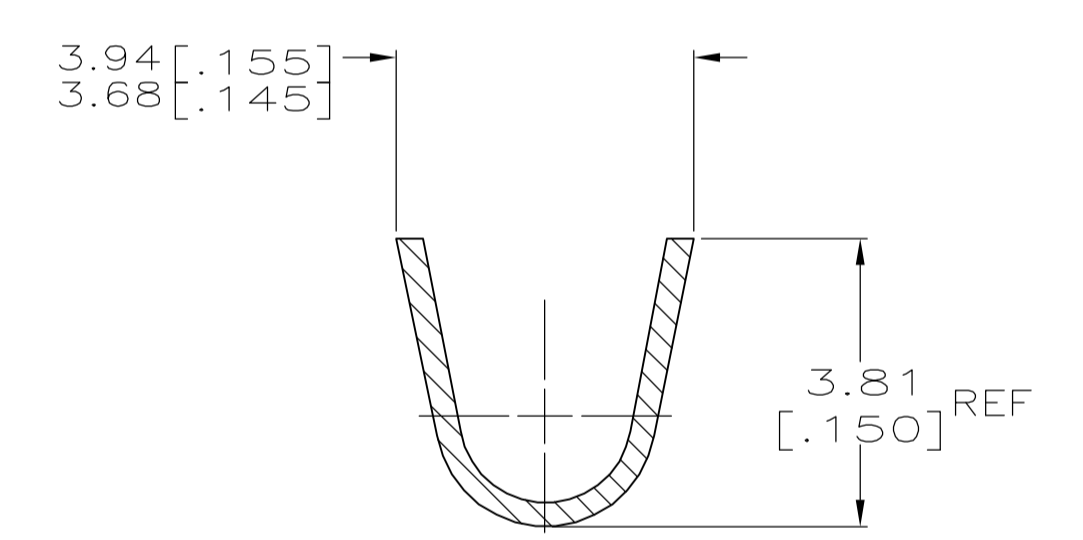
- INSULATION RANGE: 1.78-2.84 [.070-.112]
 WIRE RANGE: NOT TO EXCEED 2550-2800 CMA (1.29-1.42 mm²)
 (LIMITED 16 AWG RANGE).
- 0.00203 [.000080] MIN BRIGHT TIN-LEAD OVER
 0.00127 [.000050] MIN NICKEL.
- 0.00076 [.000030] MIN THICK GOLD STRIPES IN
 LOCALIZED PLATE AREA ON BEAM AND DIMPLE OVER
 0.00127 [.000050] MIN THICK NICKEL OVER ENTIRE
 CONTACT.
- DIMENSIONS IN BRACKETS ARE IN INCHES.
- FOR USE ONLY WITH LID STYLE HOUSING.
- 0.00203 [.000080] MIN BRIGHT TIN OVER
 0.00127 [.000050] MIN NICKEL.



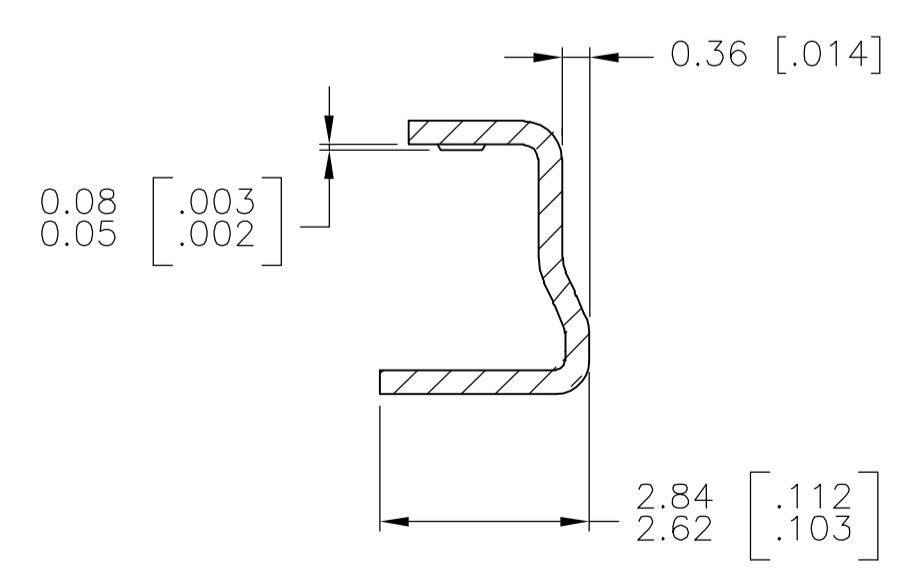
SECTION D-D



SECTION B-B



SECTION C-C



SECTION A-A
 ROTATED 90° CCW

6	3-647466-1
3	647466-2
3	647466-1
FINISH	PART NUMBER

METRIC

THIS DRAWING IS A CONTROLLED DOCUMENT.		DWN K. WHITAKER 18OCT2004		Tyco Electronics Corporation Harrisburg, Pa 17105-3608	
DIMENSIONS: mm [INCHES]		CHK J. ELLIS 18OCT2004		NAME SL-156 HOODED RECEPTACLE, LARGE WIRE CONTACT	
TOLERANCES UNLESS OTHERWISE SPECIFIED:		APVD J. ELLIS 18OCT2004	PRODUCT SPEC 108-1049		
0 PLC ± -		APPLICATION SPEC 114-1021			
1 PLC ± -		SIZE A1			
2 PLC ± 0.13 [.005]		CAGE CODE 00779			
3 PLC ± -		DRAWING NO 647466			
4 PLC ± -		RESTRICTED TO			
ANGLES ± -		WEIGHT			
FINISH SEE TABLE		CUSTOMER DRAWING			
		SCALE 10:1		SHEET 1 OF 1	
				REV C	